

HOME
DECORATORS
COLLECTION

EURO Kitchen & Bath Cabinetry



Ships in 2-10 Days
All Plywood Construction
Soft Close Doors & Drawers
Now RTA or Factory Assembled

SPECIFICATION GUIDE

hdckitchens.com

HOME
DECORATORS
COLLECTION

EURO Kitchen & Bath Cabinetry

5 Year Limited Warranty

Home Decorators Collection Cabinetry (warrantor) warrants to the original consumer purchaser only, that the Home Decorators Collection branded EURO Ready-to-Assemble (RTA) products will be free from defects in material and workmanship. This warranty is for a period of five years as long as you own the cabinetry and is not transferable to subsequent owners.

This warranty does not cover damage resulting from normal wear, accident, misuse or lack of reasonable and necessary maintenance and service; nor does it warranty the improper installation or unauthorized repair, alteration, or modification or defects in the product when the product is installed. This warranty is limited to the repair or replacement of the defective part at the sole discretion of warrantor. Warranty is limited to Home Decorators Collection Cabinetry EURO branded products excluding all electrical components: Excluded items may carry separate warranties as provided directly by the manufacturer of these products.

It is our option to provide repair parts or replace with functionally equivalent product. Return of product may be required for replacements. Such repair parts or replacement shall be at warrantor's expense, but customer shall bear all other expenses, including, but not limited to, cost of removal, transportation, re-installation, communication and any special service required by customer such as, overtime labor, etc. Due to the nature of the product, replacement product may vary in color from original purchased product.

Natural woods vary in color and grain pattern and exhibit color change over time. Cabinets may darken or lighten with age due to exposure to certain environmental conditions including but not limited to sunlight, moisture, household cleaners, smoke, etc. These variations are considered the natural characteristics of the material and are not covered under this warranty.

In the event of a Home Decorators Collection Cabinetry EURO brand warranted product performance issue, submit request including proof of purchase documentation, specific description of warranty issue (include photos where possible) in writing to:

Warranty Department
210 Century Boulevard
Bartow, FL 33830

EXCEPT TO THE EXTENT PROVIDED BY APPLICABLE LAW, ALL IMPLIED WARRANTIES, INCLUDING WARRANTIES OF MERCHANTABILITY AND FITNESS FOR A PARTICULAR PURPOSE, ARE LIMITED IN DURATION TO THE SHORTER OF THE PERIOD PROVIDED BY LAW OR THE PERIOD OF THIS WARRANTY, AND UNDER NO CIRCUMSTANCE SHALL HOME DECORATORS COLLECTION CABINETRY BE LIABLE FOR INCIDENTAL OR CONSEQUENTIAL DAMAGES SUSTAINED IN CONNECTION WITH THE PRODUCT. THE EXPRESS WARRANTY ABOVE CONSTITUTES THE ENTIRE WARRANTY AND IS IN LIEU OF ALL OTHERS EXPRESSED OR IMPLIED.

Some states do not allow the exclusion or limitation of incidental or consequential damages, or limitation on how long an implied warranty lasts, therefore, the above limitations or exclusions may not apply to you. This warranty gives you specific legal rights, and you may also have other rights, which vary from state to state.

INDEMNITY

Home Decorators Collection Cabinetry shall not be liable for either its failure to perform or its delays in performance hereunder arising out of or resulting from causes beyond its control, including but not limited to, acts of God, acts of Representation, acts of Government, wars, fires, floods, epidemics, quarantine, strike, freight embargoes, weather or default by suppliers due to any such causes.

EURO Kitchen & Bath Cabinetry

Table of Contents



Door Styles & Colors4-7

Construction Details 8

Finished Ends 9

Wall Cabinets10-13

Base Cabinets14-19

Tall Cabinets20-21

Vanities 22

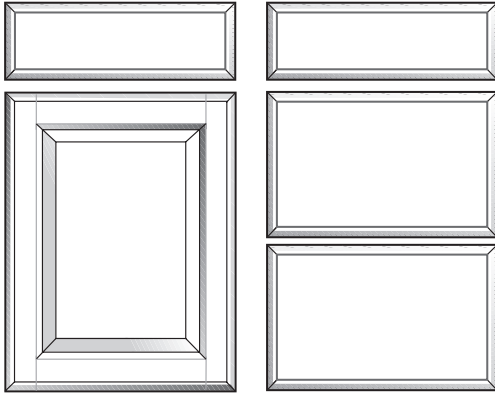
Decorative Moldings23-26

Interior Accessories27-29

Required Items List30-31

Decorative Hardware32-34

Ancona - Birch



- 3/4" thick x 2" wide solid birch frame doors with solid birch raised center panels
- 3/4" thick birch veneer over MDF flat panel drawer fronts with solid birch edging
- Concealed hinges are 6-way adjustable and Soft-Close
- 5/8" thick plywood drawers with full-extension Soft-Close runners
- Full Overlay door style – decorative hardware required

Available Colors:

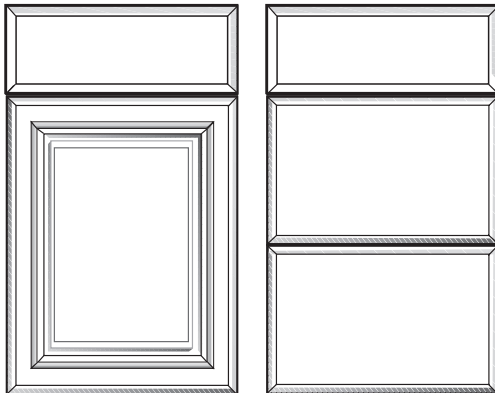


Mocha (AMG)



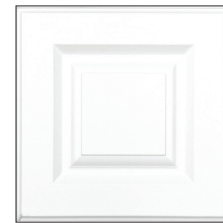
Cumin (ACN)

Anzio - MDF/Thermofoil



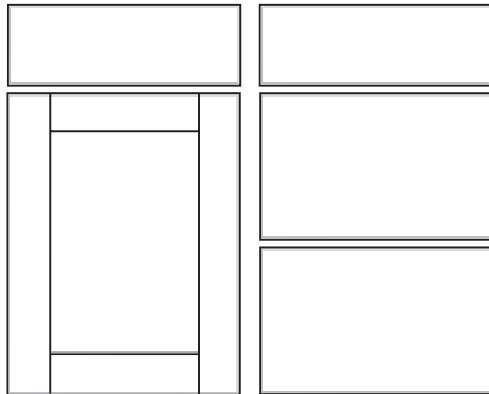
- 3/4" thick solid MDF raised panel vinyl clad doors
- 3/4" thick solid MDF flat panel vinyl clad drawer fronts
- Concealed hinges are 6-way adjustable and Soft-Close
- 5/8" thick plywood drawers with full-extension Soft-Close runners
- Full Overlay door style – decorative hardware required

Available Colors:



Polar White (AAW)

Elice - Birch



- 3/4" thick x 3" wide solid birch Shaker frame doors with birch veneer over MDF recessed center panels
- 3/4" thick birch veneer over MDF flat panel drawer fronts with solid birch edging
- Concealed hinges are 6-way adjustable and Soft-Close
- 5/8" thick plywood drawers with full-extension Soft-Close runners
- Full Overlay door style – decorative hardware required

Available Colors:

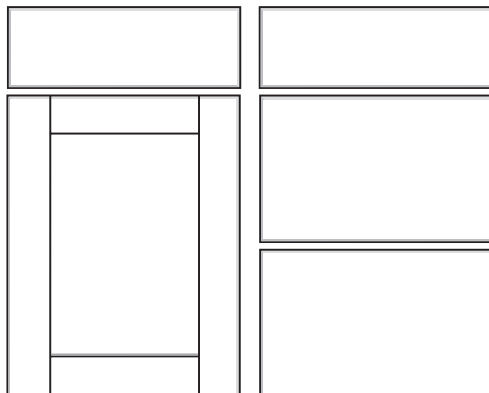


Mocha (EMG)



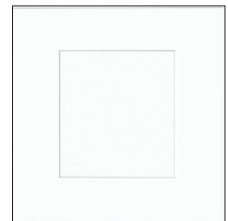
Cumin (ECN)

Elice - Painted MDF



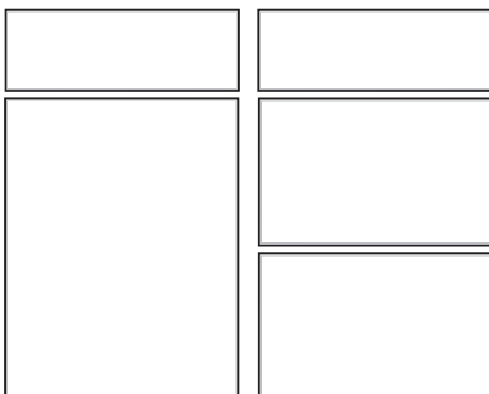
- 3/4" thick x 3" wide solid MDF Shaker frame doors with 5/8" thick solid MDF recessed center panels
- 3/4" thick solid MDF flat panel drawer fronts
- Concealed hinges are 6-way adjustable and Soft-Close
- 5/8" thick plywood drawers with full-extension Soft-Close runners
- Full Overlay door style – decorative hardware required

Available Colors:



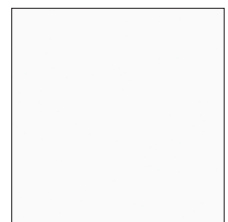
Polar White (EPW)

Salerno - Painted MDF



- 3/4" thick solid MDF flat panel doors
- 3/4" thick solid MDF flat panel drawer fronts
- Concealed hinges are 6-way adjustable and Soft-Close
- 5/8" thick plywood drawers with full-extension Soft-Close runners
- Full Overlay door style – decorative hardware required

Available Colors:

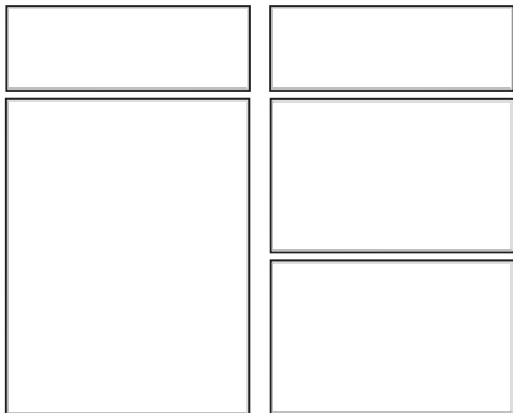


Polar White (SPW)

Ships in 7-10 Days!

Special Order Door Styles

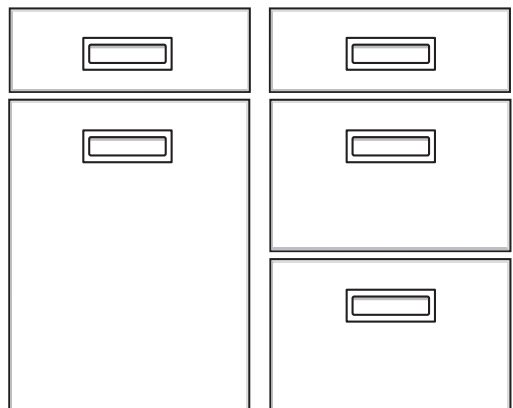
Monaco - Laminate



Available in both Designer and Architect Series

- 3/4" thick particleboard flat panel doors with durable thermo-fused melamine finish
- 3/4" thick particleboard flat panel drawer fronts with durable thermo-fused melamine finish
- Edges sealed with color-matched PVC edge banding
- Concealed hinges are 6-way adjustable and Soft-Close
- Full Overlay door style – decorative hardware required

Genoa - Laminate

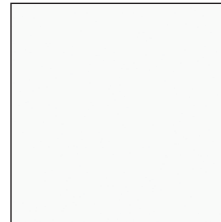


Available in both Designer and Architect Series

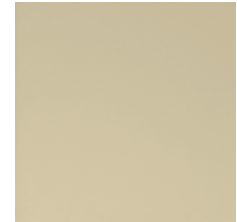
- 3/4" thick particleboard flat panel wall and base doors with durable thermo-fused melamine finish
- 3/4" thick particleboard flat panel drawer fronts with durable thermo-fused melamine finish
- Edges sealed with color-matched PVC edge banding
- Concealed hinges are 6-way adjustable and Soft-Close
- Full Overlay door style includes integrated brushed nickel pulls

The styles on this page are available in the following DESIGNER SERIES and ARCHITECT SERIES colors:

DESIGNER SERIES



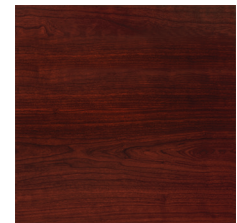
Bianco (BO)



Almond (AL)



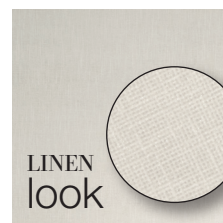
Cognac (CC)



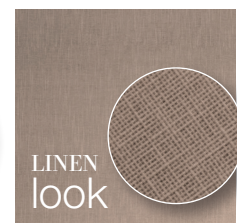
Cherry (CH)



Espresso (ES)



Natural Linen (NL)



Taupe Linen (TL)

ARCHITECT SERIES



Glacier (GL)



Beach (BE)

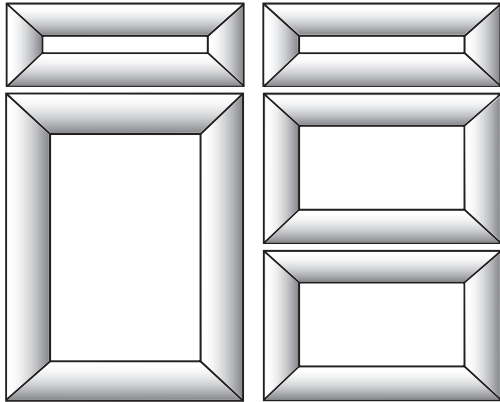


Platinum (PL)

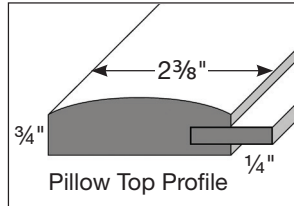


Twilight (TW)

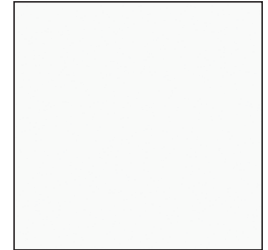
Dolomiti - Laminate



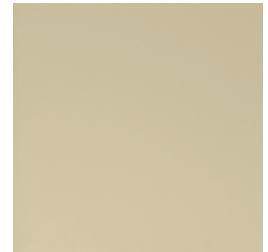
- 3/4" thick wrapped MDF frame with recessed melamine faced MDF center panel
- 3/4" thick wrapped MDF frame drawer fronts with recessed melamine faced MDF center panel
- Concealed hinges are 6-way adjustable and Soft-Close
- Full Overlay door style – decorative hardware required



The styles on this page are available in the following DESIGNER SERIES colors:



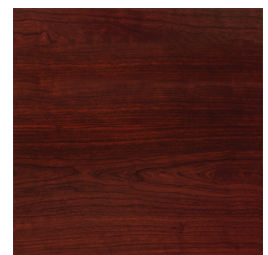
Bianco (BO)



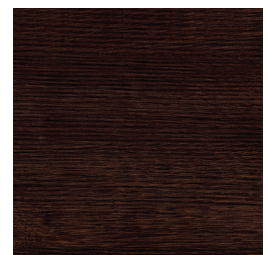
Almond (AL)



Cognac (CC)

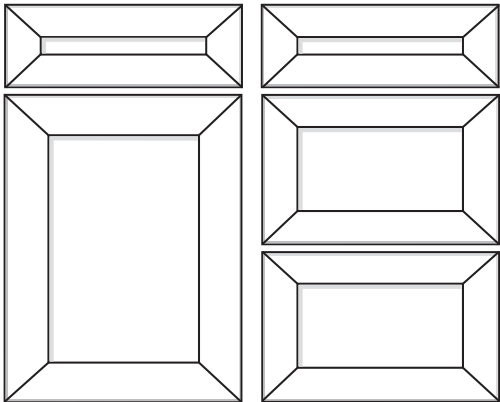


Cherry (CH)

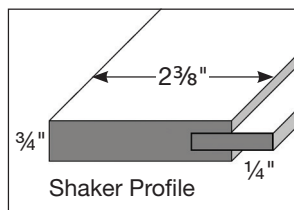


Espresso (ES)

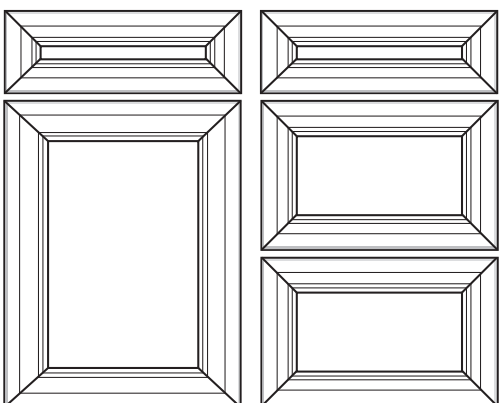
Livorno - Laminate



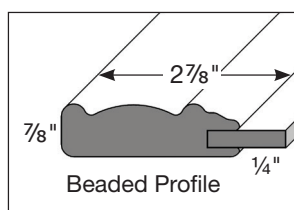
- 3/4" thick wrapped MDF frame doors with recessed melamine faced MDF center panel
- 3/4" thick wrapped MDF frame drawer fronts with recessed melamine faced MDF center panel
- Concealed hinges are 6-way adjustable and Soft-Close
- Full Overlay door style – decorative hardware required



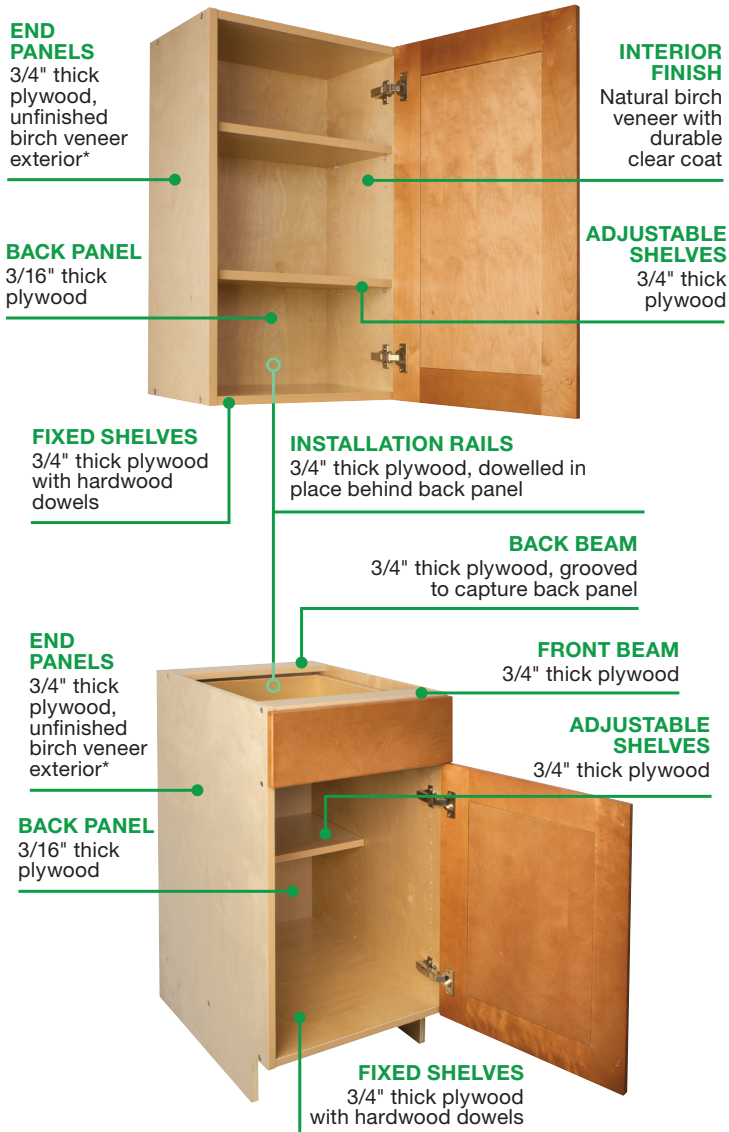
Verona - Laminate



- 7/8" thick wrapped MDF frame doors with recessed melamine faced MDF center panel
- 7/8" thick wrapped MDF frame drawer fronts with recessed melamine faced MDF center panel
- Concealed hinges are 6-way adjustable and Soft-Close
- Full Overlay door style – decorative hardware required



Quick Assembly Cabinet Construction



DRAWER BOX
5/8" thick plywood with 3/16" thick plywood captured bottom panel. Full Extension Soft Close runners.**



DOOR HINGES
Concealed 6 way adjustable clip on/off with Soft Close damper.**



SIMPLE ASSEMBLY
All screw holes are pre-drilled with precise alignment.

EURO Kitchen & Bath Cabinetry

Factory Assembly is available

The Ready-to-Assemble (RTA) option, cabinets are packed flat in easy to assemble kits

Quality Construction

All RTA Kitchen & Bath Cabinets feature all-plywood construction

Easy to Build

Pre-inserted dowels and sturdy 2" long assembly screws

Easy Door Mount

Concealed door hinges include Soft Close and a clip on/off feature

For assembly instructions go to:
www.AssemblySheet.com

*Matching End Panels are available to cover exposed ends

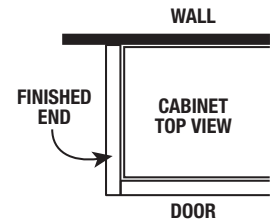
**Soft Close feature not available in Wall Angle Corner and Easy Reach Base cabinets



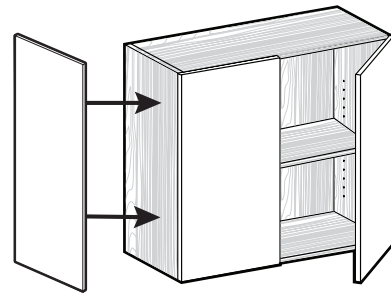
Specifications subject to change without notice.

Color Matched Finished Ends

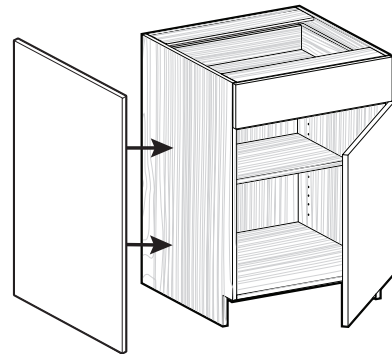
All cabinet exterior sides are unfinished birch veneer. Exposed sides, which will be visible after installation, will require a Finished End panel. These panels are 3/4" thick with matching finish on both faces and all four edges. Please make allowances for this additional thickness when designing!



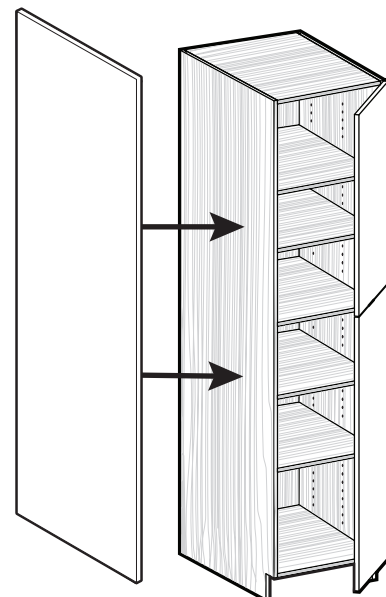
Wall Finished Ends are 13" wide which will extend beyond the front edge of 12" deep wall cabinets, flush with the face of the door. They can be scribed back to the depth of the cabinet if desired. Wall Finished Ends are available 30" high and 38" high.



Base Finished Ends are 25" wide x 34½" high, which will extend beyond the front edge of 23-7/8" deep base cabinets, flush with the face of the door. They can be scribed back to the depth of the cabinet if desired. You can choose to run the matching toe kick into the Finished End, or you can notch the base in order to run the toe kick in front of the panel.



Tall Finished Ends are 25" wide, which will extend beyond the front edge of 23-7/8" deep pantry cabinets, flush with the face of the doors. They can be scribed back to the depth of the pantry cabinet if desired. You can choose to run the matching toe kick into the Finished End, or you can notch the base in order to run the toe kick in front of the panel. Tall Finished Ends are available in 84" high and 92" high.



Other Uses: Because the Finished Ends are 3/4" thick with finished edges, they can be used for other applications, such as open shelving, or to clad the underside of wall cabinets to cover the generic natural birch finish.

Wall Cabinets

WALL CABINET CODING

STANDARD (12" DEEP)

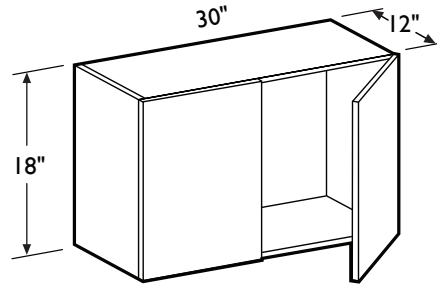
W 30 30

Cabinet Code Cabinet Width Cabinet Height

- Standard wall cabinets are 12" (305 mm) deep.
- Add door thickness for total cabinet depth
- Standard cabinet exterior is **unfinished veneer**, exposed sides require **Finished Ends**
- All cabinet interiors are natural birch veneer
- See page 30 & 31 for items required to assemble each cabinet model

18" High Double Door

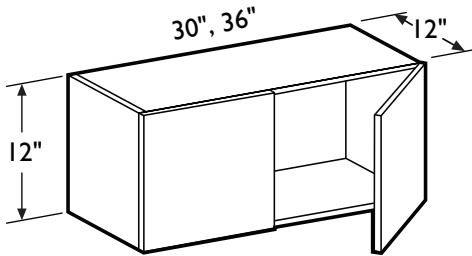
W3018



- No adjustable shelf

12" High Double Door

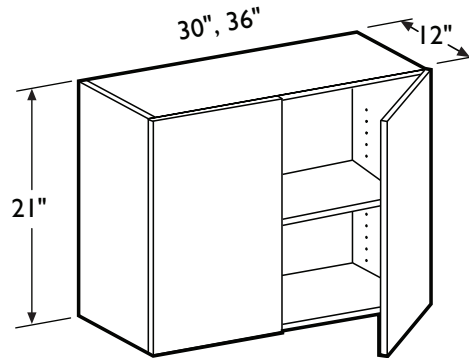
**W3012
W3612**



- No adjustable shelf

21" High Double Door

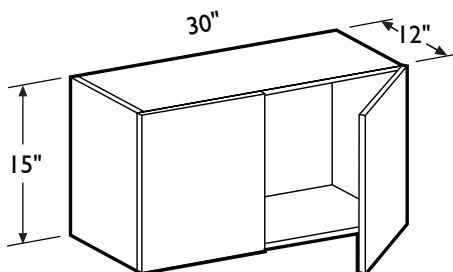
**W3021
W3621**



- One 3/4" thick plywood adjustable shelf

15" High Double Door

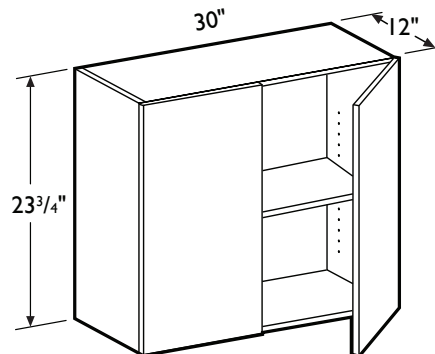
W3015



- No adjustable shelf

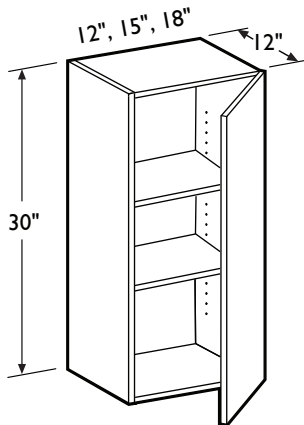
24" High Double Door

W3024



- One 3/4" thick plywood adjustable shelf

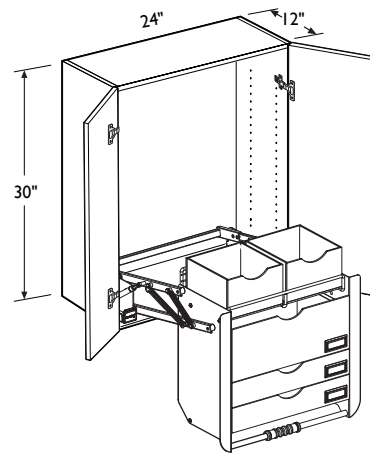
30" High Single Door



**W1230
W1530
W1830**

- Two ¾" thick plywood adjustable shelves
- Can be assembled with hinges on left or right

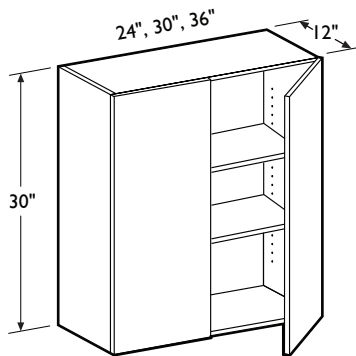
30" High Wall Pull-down Shelves Frosted



W2430-PDSFR

- Features 5 removable acrylic storage bins
- Lowers items 10" and brings forward 14¾"
- Gas assisted mechanism smoothly raises and lowers unit
- Install at desired height in cabinet

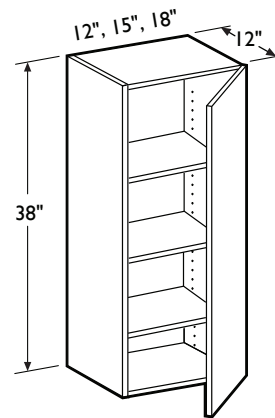
30" High Double Door



**W2430
W3030
W3630**

- Two ¾" thick plywood adjustable shelves

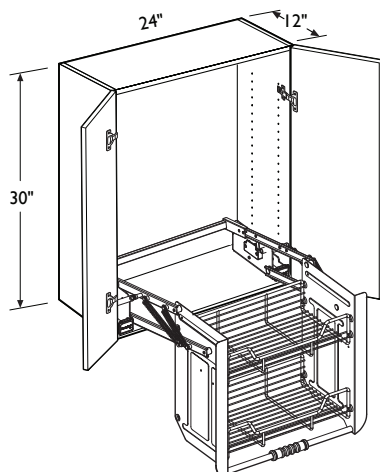
38" High Single Door



**W1238
W1538
W1838**

- Three ¾" thick plywood adjustable shelves
- Can be assembled with hinges on left or right

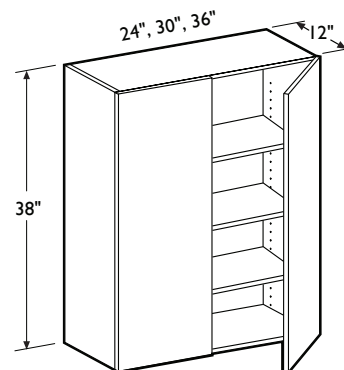
30" High Wall Pull-down Shelves Chrome



W2430-PDSCR

- Two tier chrome shelves lowers 10" and brings items forward 14¾"
- Gas assisted mechanism smoothly raises and lowers unit
- Locking arm feature holds shelf in down position
- Install at desired height in cabinet

38" High Double Door

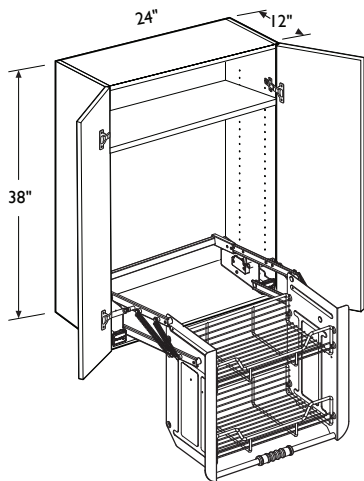


**W2438
W3038
W3638**

- Three ¾" thick plywood adjustable shelves

Wall Cabinets

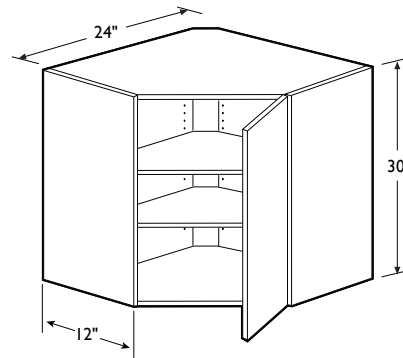
38" High Wall Pull-down Shelves Chrome



W2438-PDSCR

- Two tier chrome shelves lowers 10" and brings items forward 14 $\frac{3}{4}$ "
- Gas assisted mechanism smoothly raises and lowers unit
- Locking arm feature holds shelf in down position
- Install at desired height in cabinet

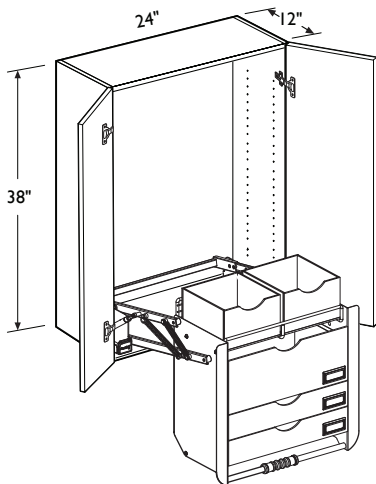
30" High Wall Angle Corner



WAC2430

- Two $\frac{3}{4}$ " thick plywood adjustable shelves
- Can be assembled with hinges on left or right
- Clipped back corner provides clearance for installation
- **SOFT CLOSE DOOR NOT AVAILABLE**

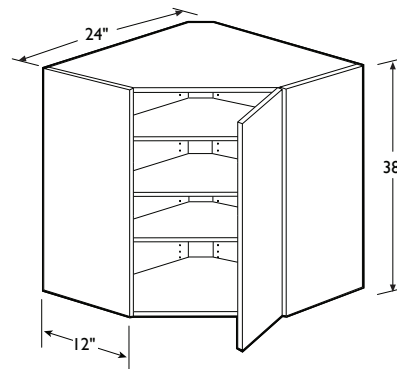
38" High Wall Pull-down Shelves Frosted



W2438-PDSFR

- Features 5 removable acrylic storage bins
- Lowers items 10" and brings forward 14 $\frac{3}{4}$ "
- Gas assisted mechanism smoothly raises and lowers unit
- Install at desired height in cabinet

38" High Wall Angle Corner



WAC2438

- Three $\frac{3}{4}$ " thick plywood adjustable shelves
- Can be assembled with hinges on left or right
- Clipped back corner provides clearance for installation
- **SOFT CLOSE DOOR NOT AVAILABLE**

ready-to-assemble *design tip*

Compliment our solid-color slab door and drawer fronts with contrasting color or texture.

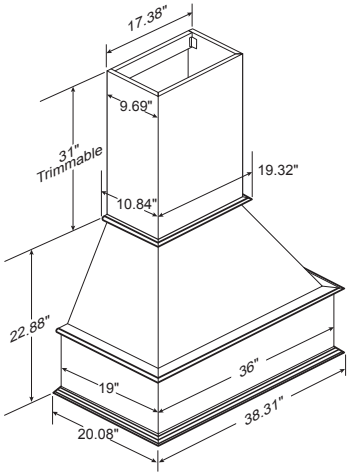
Combine white or almond cabinetry with accent trims and finished panels to add interest and texture.



Wall Cabinet Trim Items

Range Hood Combo Kit - Straight Valance

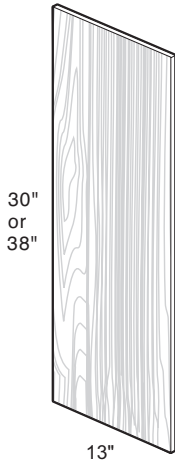
WRHC36S



- Available 36" width
- Includes Hood, Chimney, Hood Liner and Blower
- Chimney is trimmable to adjust the height
- Blower is 390 CFM, 6.0 sones, enclosed light
- **Available in CN, MG and PW only**
- Clearance of 3" on each side is recommended

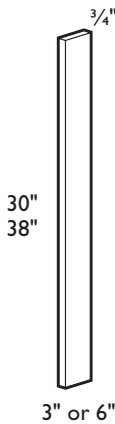
Wall Finished Ends

WFE1330A
WFE1338A



- 3/4" thick plywood for CN, MG, and PW
- 3/4" thick melamine faced particleboard all other colors
- Matching finish 2 sides and all 4 edges
- Use to cover exposed sides of wall cabinets
- Field modified and installed
- Loose matching edge tape included

Filler Strips



F330A
F338A

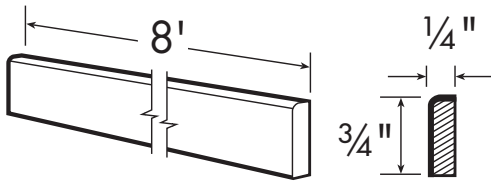
F630A
F638A

3" or 6"

- 3/4" thick solid wood for CN and MG
- 3/4" thick MDF painted for PW
- 3/4" thick melamine faced particleboard all other colors
- Face and two long edges finished

Scribe Molding

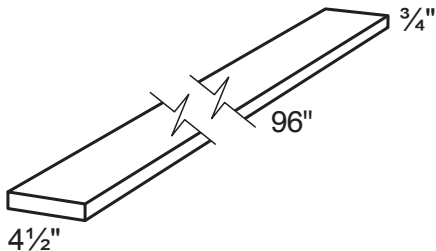
SM96A



- 1/4" thick solid wood
- Available in AL, CN, MG and PW only
- * See pg. 23 for additional trim moldings

Wall Cabinet Framing Strip

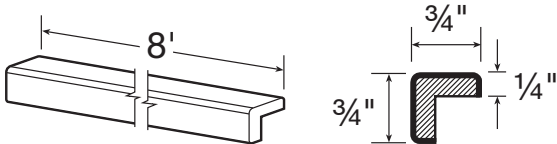
TKFS96A



- 3/4" thick plywood for CN, MG and PW
- 3/4" thick melamine faced particleboard all other colors
- Install above or below wall cabinets flush with front edge of finished ends
- Face and two long edges finished
- 24" of loose matching edge tape included

Outside Corner Molding

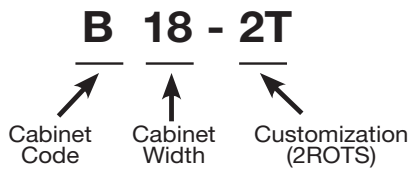
OSC8



- 3/4" thick solid wood
- Available in AL, CN, MG and PW only
- * See pg. 23 for additional trim moldings

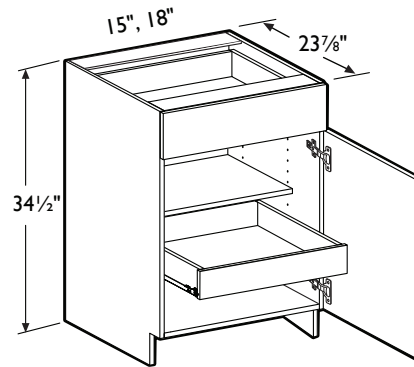
Base Cabinets

BASE CABINET CODING



- Standard Base Cabinets are 23-7/8" (605 mm) deep and 34½" high
- Add door thickness for total cabinet depth
- All drawers feature Full-Extension Soft Close drawer runners
- Standard cabinet exterior is **unfinished veneer**, exposed sides require **Finished Ends**
- All cabinet interiors are natural birch veneer
- See page 28 & 29 for items required to assemble each cabinet model

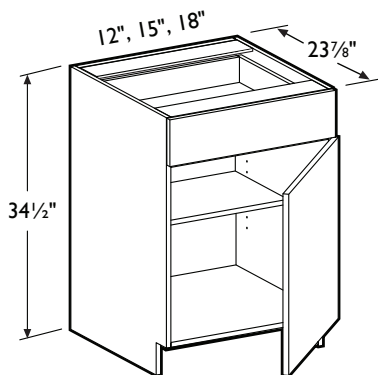
Single Door with 1 Drawer and 1 Roll-Out Tray



B15-1T
B18-1T

- Can be assembled with hinges on left or right
- One half depth adjustable shelf
- One adjustable roll-out tray with Full-Extension runners

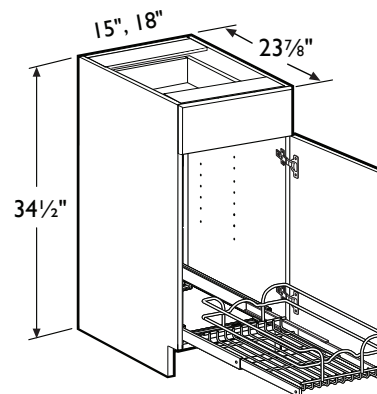
Single Door Base with 1 Drawer



B12
B15
B18

- Can be assembled with hinges on left or right
- One half depth adjustable shelf

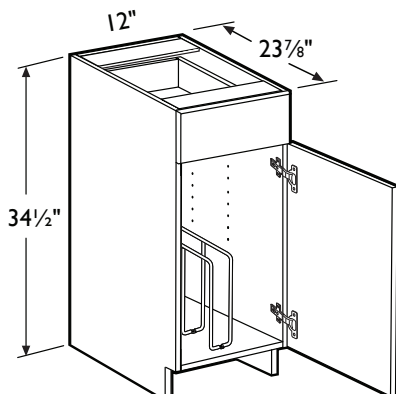
Single Door with 1 Drawer & 1 Wire Roll-Out Tray



B15-1WT
B18-1WT

- Can be assembled with hinges on left or right
- One full width chrome wire rollout tray
- Features Full-Extension runners

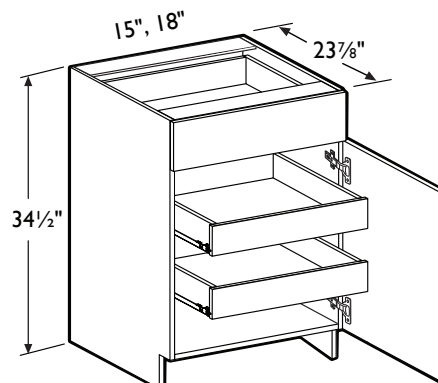
Single Door with 1 Drawer & Chrome Tray Divider



B12-TD

- Can be assembled with hinges on left or right
- Chrome wire divider
- Divider is 3"W x 9-7/8"H x 11¼"D

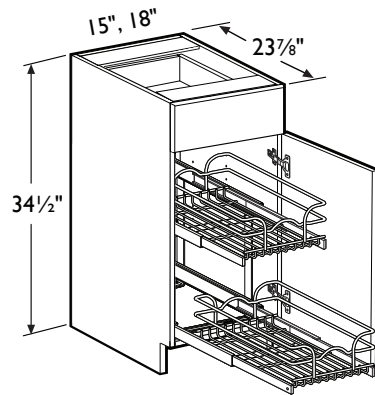
Single Door with 1 Drawer & 2 Roll-Out Trays



B15-2T
B18-2T

- Can be assembled with hinges on left or right
- Two adjustable roll-out trays with Full-Extension runners

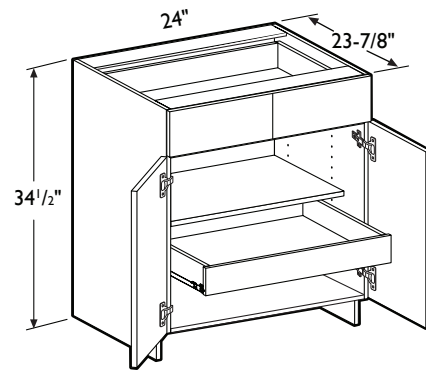
Single Door Base with 1 Drawer & 2 Wire Roll-Out Trays



B15-2WT
B18-2WT

- Can be assembled with hinges on left or right
- Two chrome finish wire roll-out trays
- Features Full-Extension runners

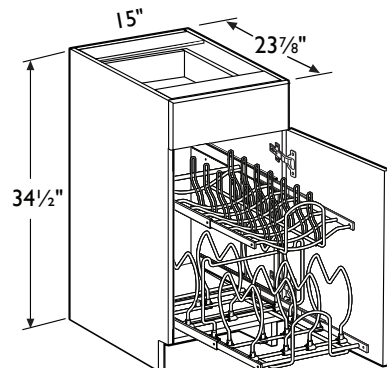
Double Door with 1 Drawer & 1 Roll-Out Tray



B24-1T

- One full width drawer with two drawer fronts
- One half depth adjustable shelf
- One adjustable roll-out tray with Full-Extension runners

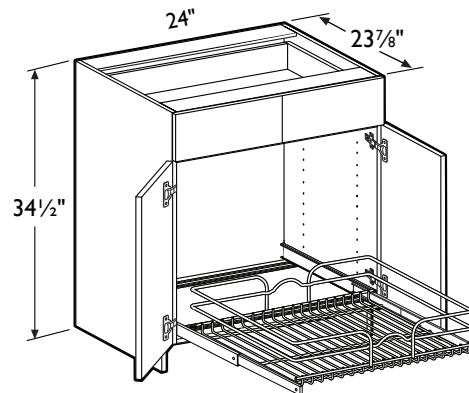
Single Door with 1 Drawer & 2 Tier Cookware Organizer



B15-CWO

- Can be assembled with hinges on left or right
- Two chrome wire tiers operate independently
- Adjustable dividers accommodate different size cookware

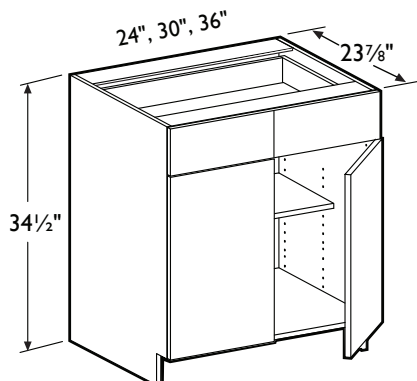
Double Door with 1 Wire Roll-Out Tray



B24-1WT

- One full width chrome wire roll-out tray
- Features Full-Extension runners

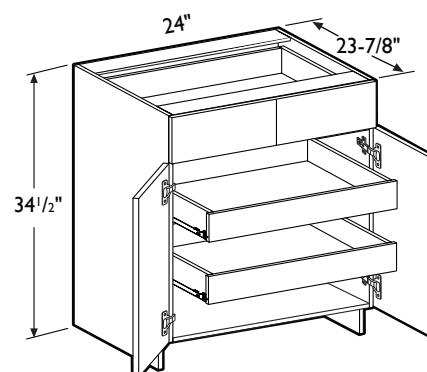
Double Door with 1 Drawer



B24
B30
B36

- One full width drawer with two drawer fronts
- One half depth adjustable shelf

Double Door with 1 Drawer & 2 Roll-Out Trays

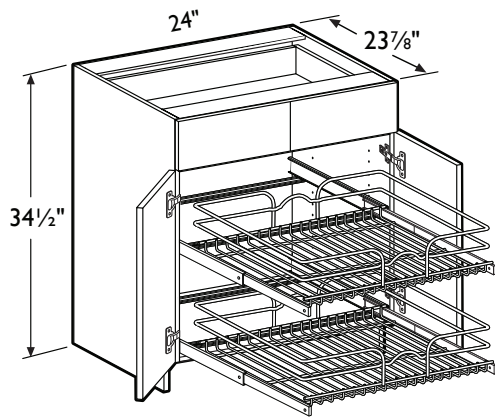


B24-2T

- One full width drawer with two drawer fronts
- One half depth adjustable shelf
- Two adjustable roll-out trays with Full-Extension runners

Base Cabinets

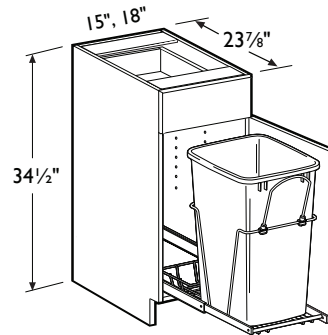
Double Door with 1 Drawer & 2 Wire Roll-Out Trays



B24-2WT

- Two full width chrome wire roll-out trays
- Features Full-Extension runners

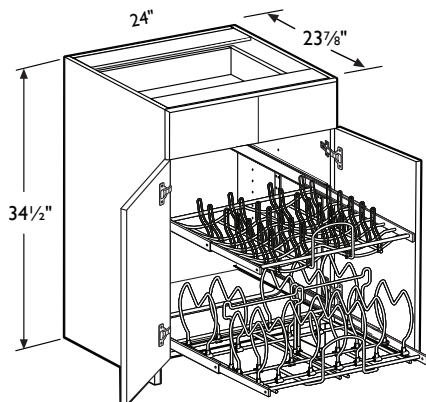
Single Door with 1 Drawer & Single Waste Basket Pull-Out



**B15-SWB
B18-SWB**

- Can be assembled with hinges on left or right
- Door mount kit included to mount cabinet door to waste container
- Features Full-Extension Soft Close ball-bearing slides
- 35 quart container is removable for easy cleaning

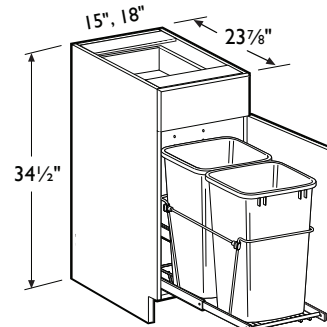
Double Door with 1 Drawer & 2 Tier Cookware Organizer



B24-CWO

- Two chrome wire tiers operate independently
- Adjustable dividers accommodate different size cookware

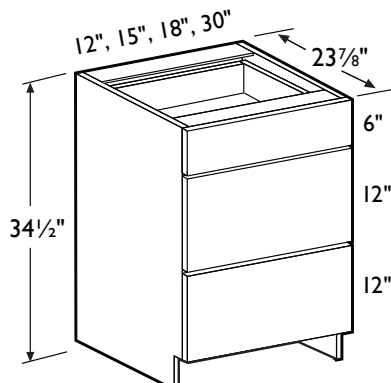
Single Door with 1 Drawer & Double Wastebasket Pull-out



**B15-DWB
(2) 27QT
B18-DWB
(2) 35QT**

- Can be assembled with hinges on left or right
- Door mount kit included to mount cabinet door to waste container
- Features Full-Extension Soft Close ball-bearing slides
- Removable containers for easy cleaning

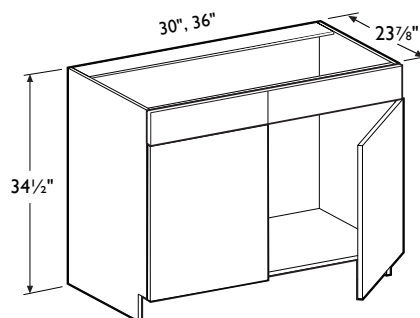
Base with 3 Drawers



**BD12
BD15
BD18
BD30**

- One standard top drawer
- Two deep drawers
- All Full-Extension runners

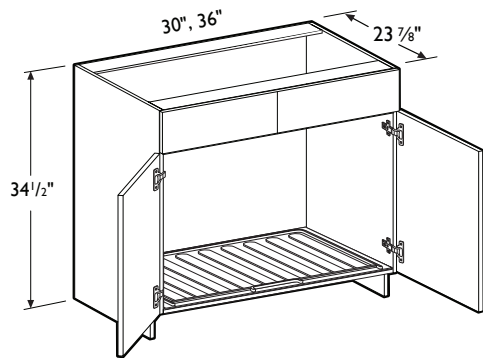
Sink Base



**SB30
SB36**

- No shelf, two false drawer fronts
- May also be used as drop-in cook top base

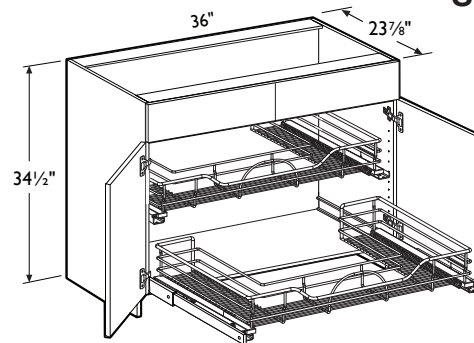
Deluxe Sink Base with Shelf Liner



SB30-SL
SB36-SL

- No shelf, two false drawer fronts
- Liner helps protect cabinet from damage due to leaks in pipes or drain
- Grey polystyrene easy to clean surface

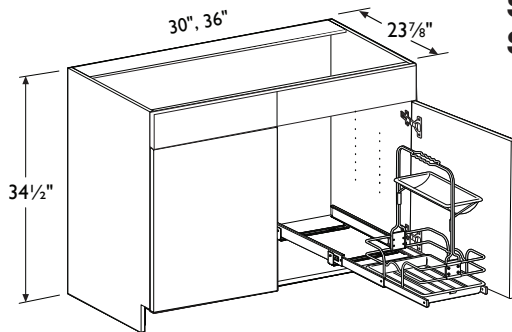
Deluxe Sink Base with 2 U-Shape Pull-Outs



SB36-2USWP

- No shelf, two false drawer fronts
- Two full-width chrome wire U-shaped pull-out baskets fit around plumbing under sink

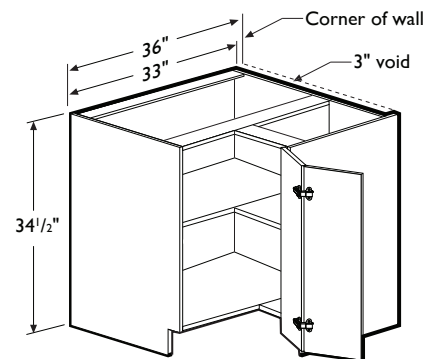
Sink Base with Pull-Out Caddy



SB30-POC
SB36-POC

- No shelf, two false drawer fronts
- One removeable chrome wire caddy 11 1/4"W x 19 1/4"H x 16 1/4"D
- Adjustable handle works around plumbing and other obstructions

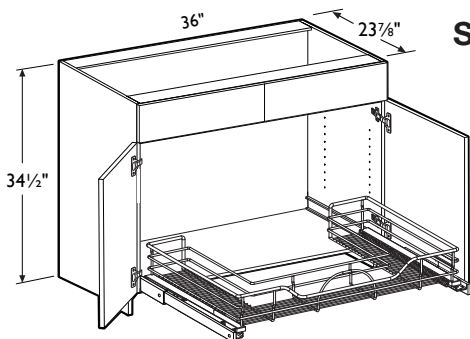
36" x 36" Easy Reach Corner



EZR36

- Can be assembled with hinges on left or right
- One half depth "L" shaped shelf
- Doors open 170 degrees for easy access
- **SOFT CLOSE DOOR NOT AVAILABLE**

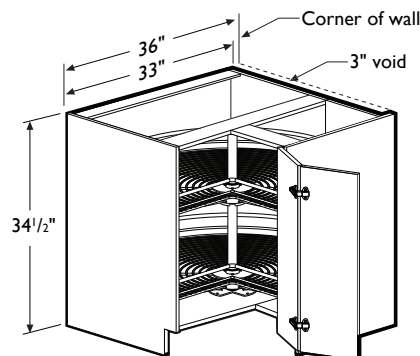
Deluxe Sink Base with U-Shape Pull-Out



SB36-1USWP

- No shelf, two false drawer fronts
- One full-width chrome wire U-shaped pull-out baskets fit around plumbing under sink

36" x 36" Easy Reach Corner with 2 Wire Lazy Susans

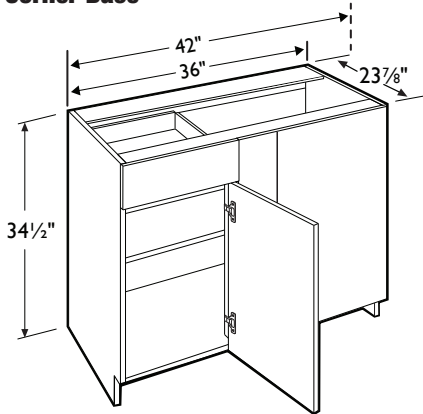


EZR36-2WLS

- Can be assembled with hinges on left or right
- Two 28" kidney shaped chrome lazy susan shelves
- Doors open 170 degrees for easy access
- **SOFT CLOSE DOOR NOT AVAILABLE**

Base Cabinets

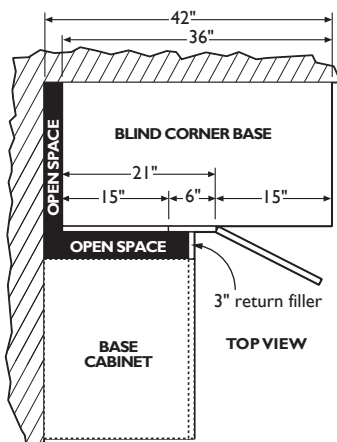
Blind Corner Base



BBC42

- Can be assembled with blind on left or right (right shown)
- Cabinet can be pulled for exact fit (42"-45")
- One half depth adjustable shelf
- 21" wide blind closure panel included
- 6" filler and 3" return filler included

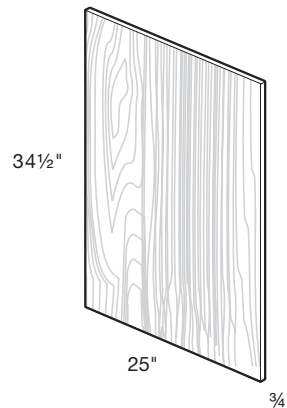
Blind Corner Base Installation



**BLIND
LEFT
SHOWN**

3" return filler
TOP VIEW

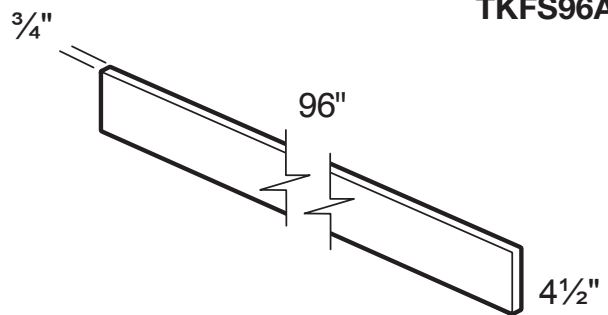
Base Finished End



BFE2534A

- 3/4" thick plywood for CN, MG, and PW
- 3/4" thick melamine faced particleboard all other colors
- Matching finish 2 sides and all 4 edges
- Field modified and installed
- 35" of loose matching edge tape included

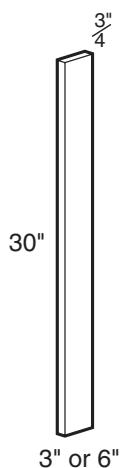
Toe Kick / Tall Filler Strip



TKFS96A

- 3/4" thick plywood for CN, MG and PW
- 3/4" thick melamine faced particleboard all other colors
- Face and two long edges finished
- 24" of loose matching edge tape included
- Available in all finishes

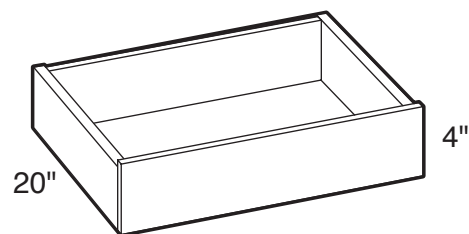
Filler Strips



**F330A
F630A**

- 3/4" thick solid wood for CN and MG
- 3/4" thick MDF painted for PW
- 3/4" thick melamine faced particleboard all other colors
- Face and two long edges finished
- Available in all finishes

Rollout Tray Kits

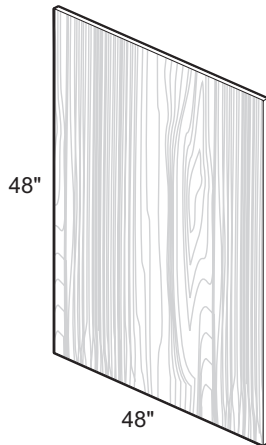


**ROTK15
ROTK18
ROTK24**

- Full-Extension Soft Close undermount runners
- To fit 15", 18" and 24" wide base cabinets
- 5/8" thick plywood construction with screw assembly
- 3/16" thick plywood captured bottom
- Natural birch veneer finish

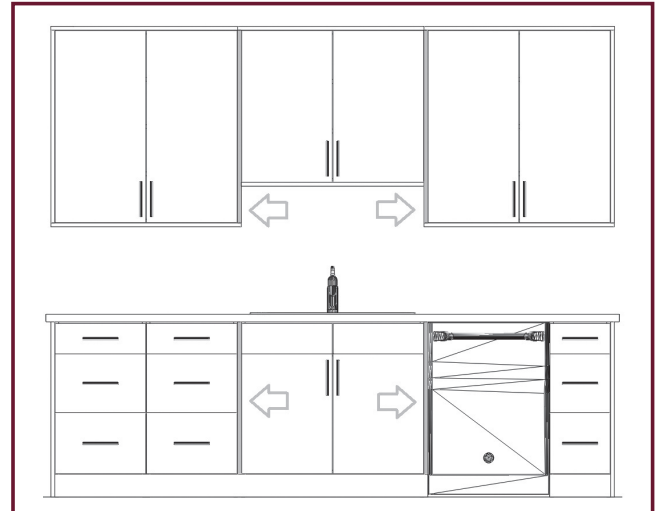
Island Skin

ISK4848



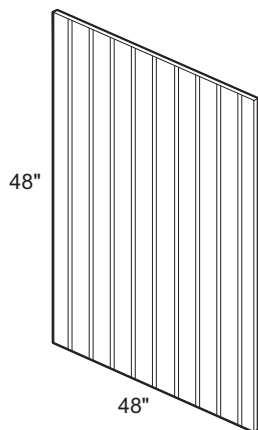
- 3/16" thick matching exterior
- Field modified and installed
- Available in all finishes
- CN and MG are veneer faced plywood
- PW is painted plywood
- All other colors are melamine over MDF

ready-to-assemble
design tip



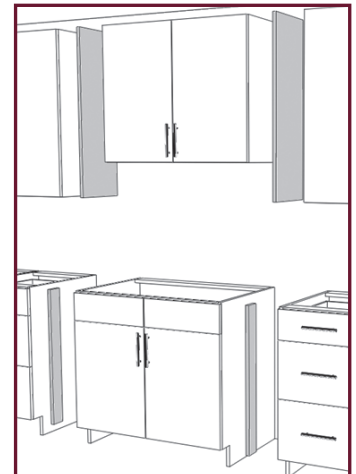
Island V-Groove Skin

IVGSK4848



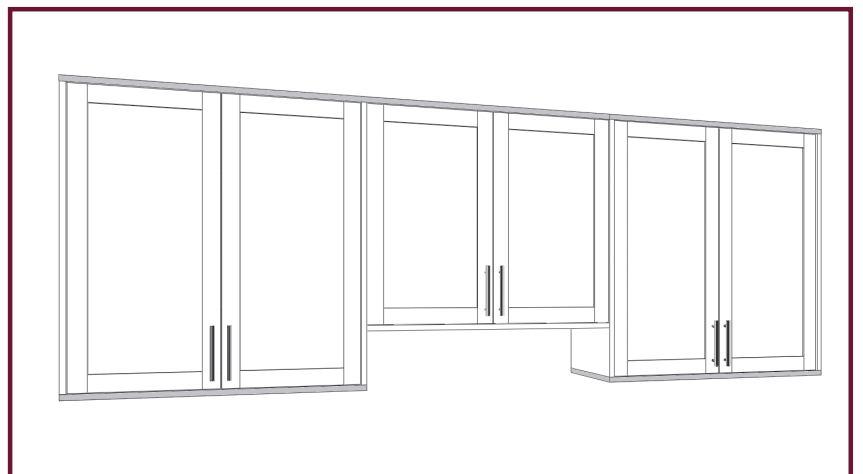
- 3/16" thick wood veneer v-groove exterior
- Grooves spaced 1 1/4" on center
- Field modified and installed
- Available in CN, MG and PW only

Our finished end panels are 3/4" thick, so adding them to unfinished sides can sometimes throw off alignment of uppers to bases. Balance out wall and base alignment with fillers used as 'spacers' to keep wall and base measurements even.



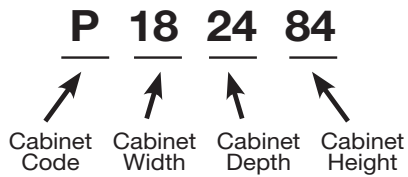
ready-to-assemble
design tip

Use a Toe Kick/Framing Strip (TKFS96) to trim out the tops and bottoms of wall cabinets. Align the face of the framing strips with the face of Wall Finished End Panels for a truly "inset" appearance.



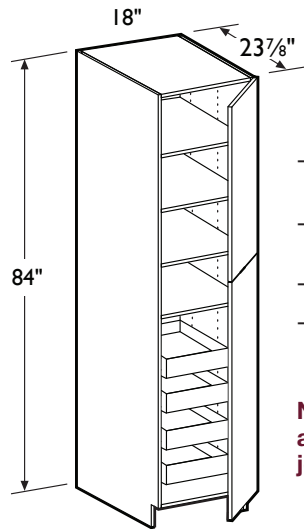
Tall Cabinets

PANTRY CABINET CODING



- Standard Pantry Cabinets are 23-7/8" deep
- Add door thickness for total cabinet depth
- Standard cabinet exterior is **unfinished veneer**, exposed sides require **Finished Ends**
- All cabinet interiors are natural birch veneer
- See page 30 & 31 for items required to build each model

84" high Two Door Pantry with 4 Roll-out Trays



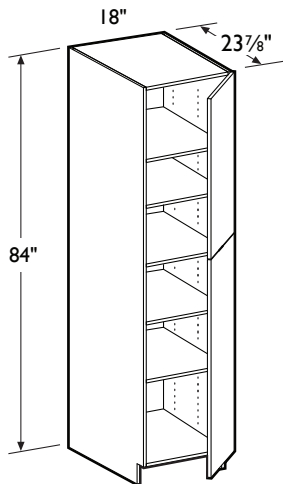
P182484-4T

- Can be assembled with hinges on left or right
- One fixed and four adjustable shelves
- Four rollout trays
- Exposed sides require TFE2584

NOTE: Lower door in Monaco and Genoa styles is (2) panels joined together

84" high Two Door Pantry

P182484

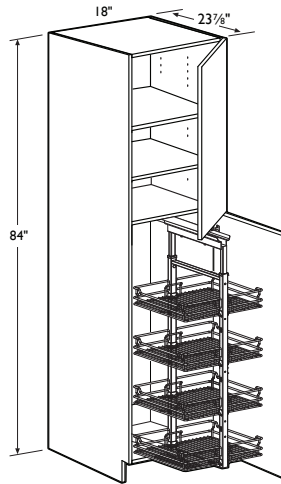


- Can be assembled with hinges on left or right
- One fixed and four adjustable shelves
- Optional rollout trays available
- Exposed sides require TFE84

NOTE: Lower door in Monaco and Genoa styles is (2) panels joined together

84" high Two Door Pantry with 4 Wire Shelf Pull-Outs

P182484-4WS

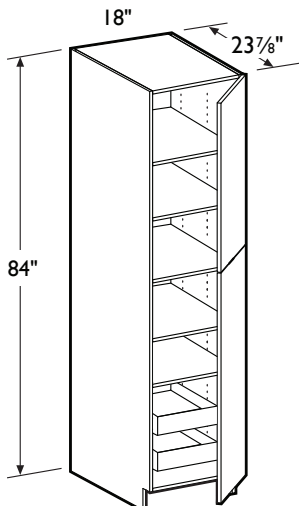


- Can be assembled with hinges on left or right
- One fixed and two adjustable shelves
- Slide-out unit includes 4 chrome baskets and optional door mounts
- Top and bottom glides are soft closing and 250 lb. weight rated
- Exposed sides require TFE2584

NOTE: Lower door in Monaco and Genoa styles is (2) panels joined together

84" high Two Door Pantry with 2 Roll-out Trays

P182484-2T

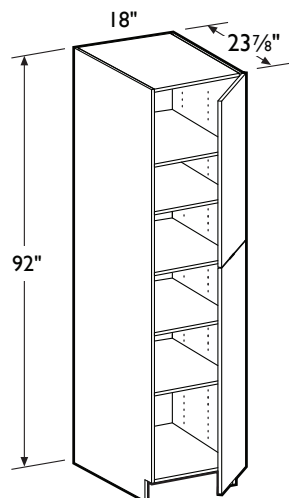


- Can be assembled with hinges on left or right
- One fixed and four adjustable shelves
- Two rollout trays
- Exposed sides require TFE2584

NOTE: Lower door in Monaco and Genoa styles is (2) panels joined together

92" high Two Door Pantry

P182492

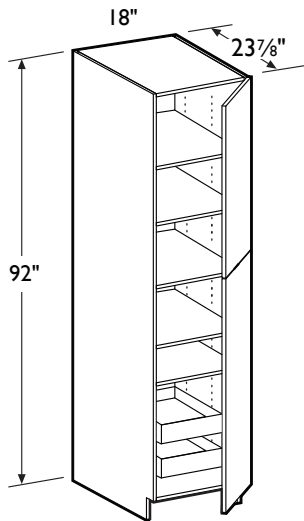


- Can be assembled with hinges on left or right
- One fixed and four adjustable shelves
- Optional rollout trays available
- Exposed sides require TFE2592

NOTE: Lower door in Monaco and Genoa styles is (2) panels joined together

Tall Cabinets

92" high Two Door Pantry with 2 Roll-out Trays

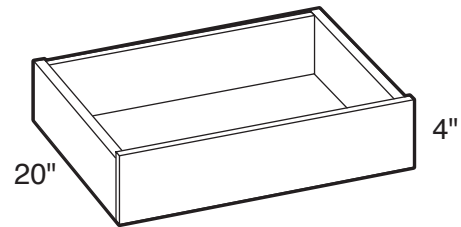


P182492-2T

- Can be assembled with hinges on left or right
- One fixed and four adjustable shelves
- Two rollout trays
- Exposed sides require TFE2592

NOTE: Lower door in Monaco and Genoa styles is (2) panels joined together

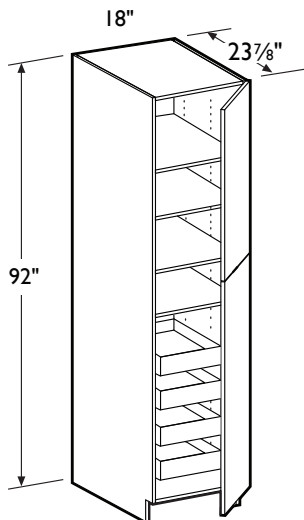
Rollout Tray Kits



ROTK18

- Full-Extension Soft Close undermount runners
- Fits 18" wide base and tall cabinets
- 5/8" thick plywood construction with screw assembly
- 3/16" thick plywood captured bottom
- Natural birch veneer finish

92" high Two Door Pantry with 4 Roll-out Trays

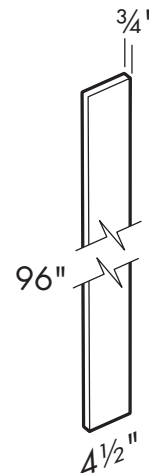


P182492-4T

- Can be assembled with hinges on left or right
- One fixed and four adjustable shelves
- Four rollout trays
- Exposed sides require TFE2592

NOTE: Lower door in Monaco and Genoa styles is (2) panels joined together

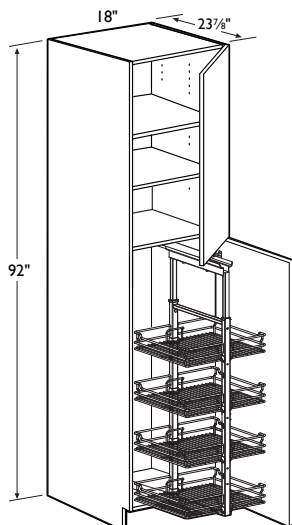
Tall Filler Strip



TKFS96A

- 3/4" thick plywood for CN, MG and PW
- 3/4" thick melamine faced particleboard all other colors
- Face and two long edges finished
- 24" of loose matching edge tape included

92" high Two Door Pantry with 4 Wire Shelf Pull-Outs

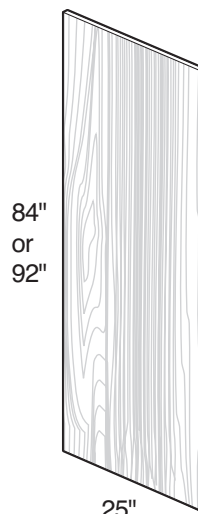


P182492-4WS

- Can be assembled with hinges on left or right
- One fixed and two adjustable shelves
- Slide-out unit includes 4 chrome baskets and optional door mounts
- Top and bottom glides are soft closing and 250 lb. weight rated
- Exposed sides require TFE2592

NOTE: Lower door in Monaco and Genoa styles is (2) panels joined together

Tall Finished End

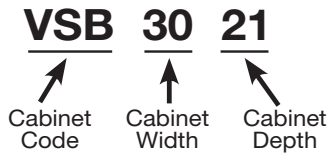


**TFE2584A
TFE2592A**

- 3/4" thick plywood for CN, MG, and PW
- 3/4" thick melamine faced particleboard all other colors
- Matching finish 2 sides and 4 edges
- Field modified and installed
- 84" or 92" of loose matching edge tape included

Vanity Base Cabinets

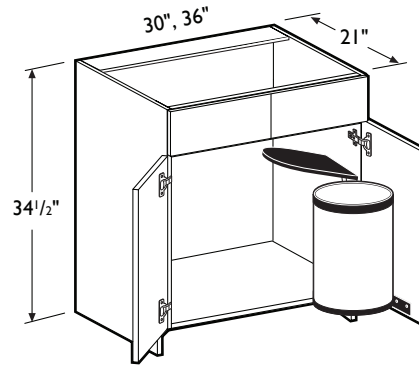
VANITY CABINET CODING



- Standard Vanity Base Cabinets are 21" deep and 34½" high
- Add door thickness for total cabinet depth
- Standard cabinet exterior is **unfinished veneer**, exposed sides require **Finished Ends**
- All cabinet interiors are natural birch veneer
- See page 30 & 31 for items required to build each model

Vanity Sink Base with Pivot Waste Bin

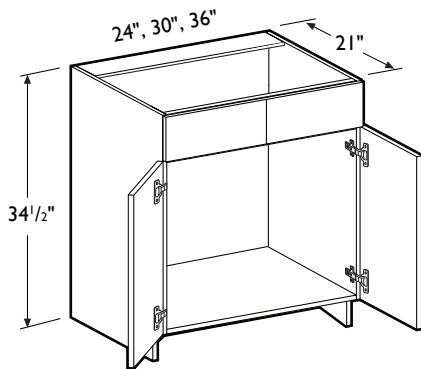
VSB3021-PWB
VSB3621-PWB



- No shelf, two false drawer fronts
- 15 liter pivot-out waste bin
- Pivot-out design opens lid when cabinet door is opened
- Features an inner polymer container with handle for easy removal

Vanity Sink Base

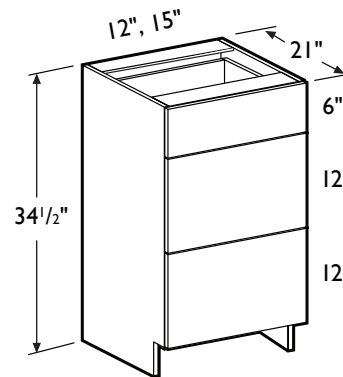
VSB2421
VSB3021
VSB3621



- No shelf, two false drawer fronts

Vanity Base with 3 Drawers

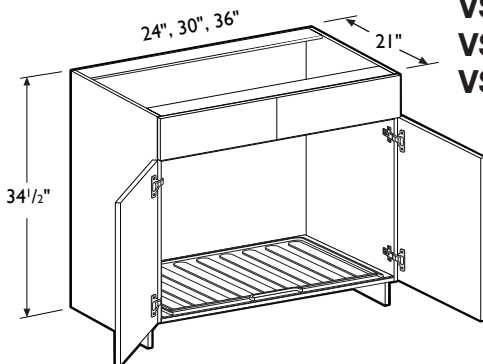
VBD1221
VBD1521



- One standard top drawer
- Two deep drawers

Vanity Sink Base with Liner

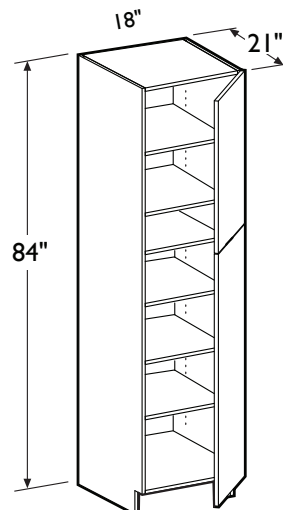
VSB2421-SL
VSB3021-SL
VSB3621-SL



- No shelf, two false drawer fronts
- Liner helps protect cabinet from damage due to leaks in pipes or drain
- Grey polystyrene easy to clean surface

Two Door Linen Cabinet

L182184



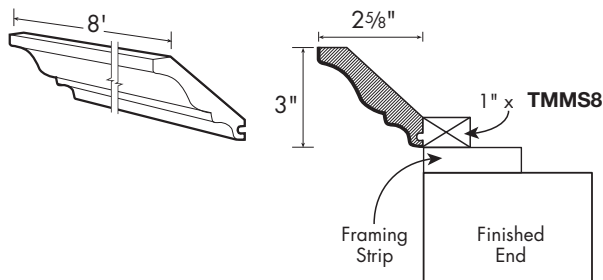
- Can be assembled with hinges on left or right
- One fixed and four adjustable shelves
- Exposed sides require TFE2584 (trimmed on site)

NOTE: Lower door in Monaco and Genoa styles is (2) panels joined together

Decorative Moldings

Crown Molding

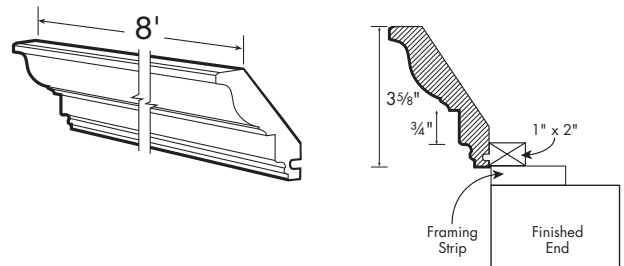
CM96A



- 3/4" thick solid wood
- Install at top of Framing Strip
- Recommended Top Molding Mounting Strip TMMS8 (pg. 24)
- Available in CN, MG and PW only

Classic Crown Molding

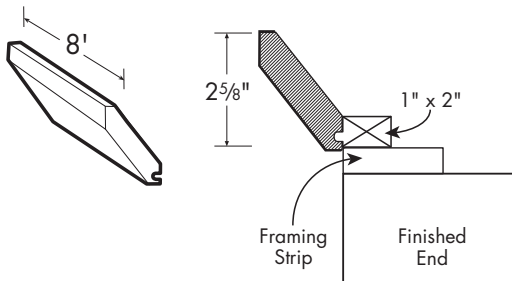
CCM8



- 3/4" thick solid wood
- Install at top of Framing Strip
- Recommended Top Molding Mounting Strip TMMS8 (pg. 24)
- Available in CN, MG and PW only

Angle Crown Molding

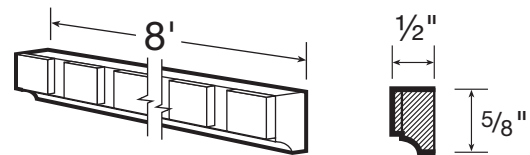
ACM8



- 3/4" thick solid wood
- Install at top of Framing Strip
- Recommended Top Molding Mounting Strip TMMS8 (pg. 24)
- Available in CN, MG and PW only

Dentil Molding

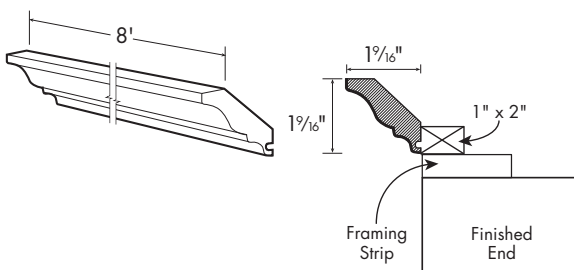
DM8



- 3/4" thick solid wood
- Available in CN, MG and PW only

Soffit Crown Molding

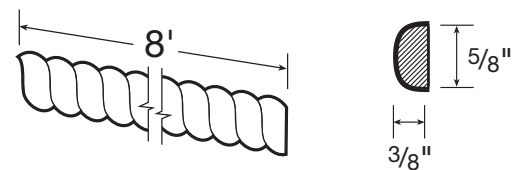
SCM8



- 3/4" thick solid wood
- Install at top of Framing Strip
- Recommended Top Molding Mounting Strip TMMS8 (pg. 24)
- Available in CN, MG and PW only

Rope Molding

RM8

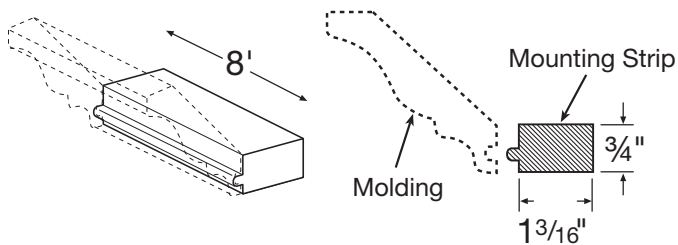


- 3/4" thick solid wood
- Available in CN, MG and PW only

Decorative Moldings

Top Molding Mounting Strip

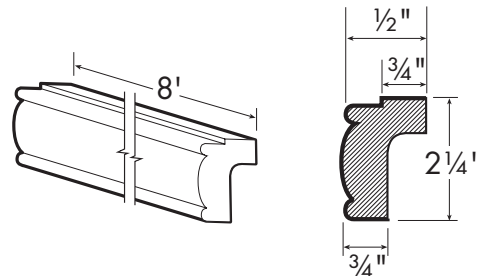
TMMS8



- 3/4" thick solid wood
- Can be used with ACM8, CM96A, CCM8 and SCM8

Light Rail

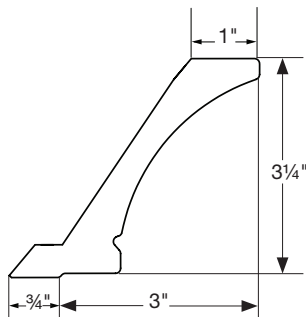
LR96A



- Solid wood
- Install along bottom framing strip of wall cabinets
- Available in CN, MG and PW only
- BO, CC, CH, and ES available in Wrapped Universal Light Rail (ULR96), see below

Wrapped Cove Molding

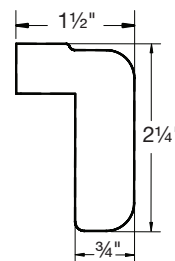
CVM96A



- 96" in length
- Laminate wrapped MDF core
- Includes top-mount installation leg
- Available in AL, BO, CC, CH, and ES colors

Wrapped Universal Light Rail

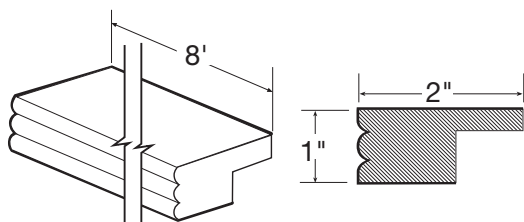
ULR96



- 96" in length
- Laminate wrapped MDF core
- Includes under-mount installation leg
- Available in BO, CC, CH, and ES colors
- CN, MG, PW Available in Light Rail (LR96A), see above

Beaded Light Rail

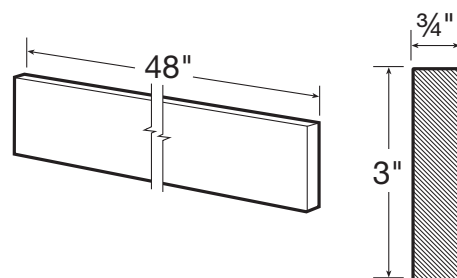
BLR8



- 1" thick solid wood
- Install along bottom framing strip of wall cabinets
- Available in CN, MG and PW only

Valance

VA48

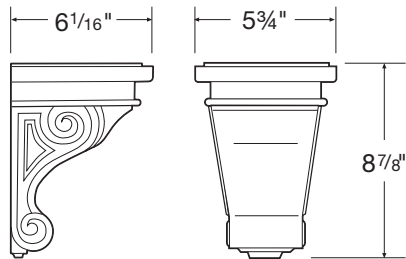


- 3/4" thick solid wood
- May be trimmed on each end
- Available in CN, MG and PW only

Decorative Moldings

Corbel

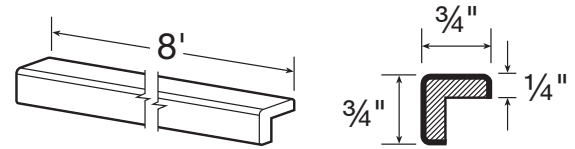
CBL



- Solid hardwood
- Available in CN and MG only

Wood Outside Corner Molding

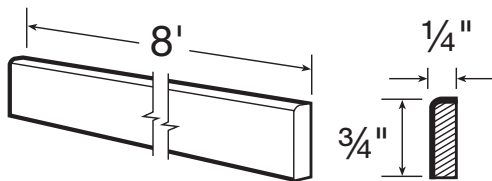
OSC8



- 3/4" thick solid wood
- Available in AL, CN, MG and PW only
- BO, CC, CH, and ES colors are available in Wrapped Outside Corner Molding (OC96A), see below

Wood Scribe Molding

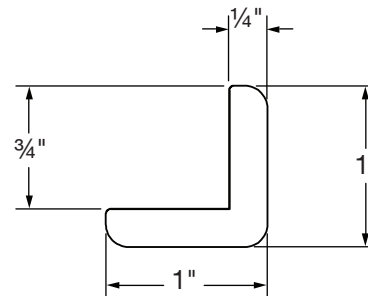
SM96A



- 1/4" thick solid wood
- Available in AL, CN, MG and PW only
- BO, CC, CH, and ES are available in Wrapped Scribe Molding (SCR96A), see below

Wrapped Outside Corner Molding

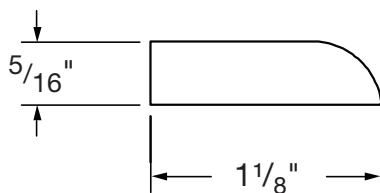
OC96A



- 96" in length
- Paper laminate wrapped MDF core
- Available in BO, CC, CH, and ES colors
- AL, CN, MG and PW available in Wood Outside Corner Molding (OSC8), see above

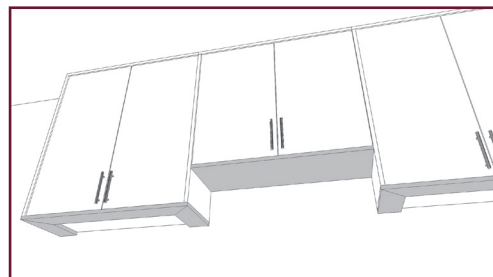
Wrapped Scribe Molding

SCR96A



- 96" in length
- Laminate wrapped MDF core
- Available in BO, CC, CH, and ES colors
- AL, CN, MG and PW available in Wood Scribe Molding (SM96A), see above

ready-to-assemble
design tip

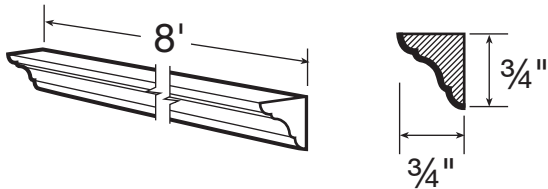


Use Wall Finished End (WFE) or Tall Finished End (TFE) panels to clad the underside of cabinets that will be visible at standing height instead of a Toe Kick/Framing Strip (TKFS96).

Decorative Moldings

Wood Inside Corner Molding

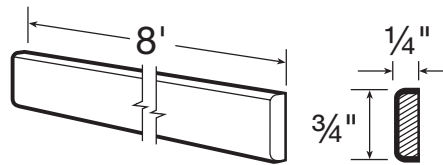
ICM8



- 3/4" thick solid wood
- Available in CN, MG and PW only
- BO, CC, CH, and ES colors are available in Wrapped Inside Corner Molding (IC96A), see below

Wood Batten Molding

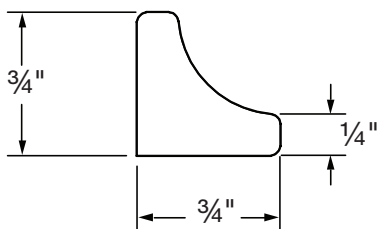
BM8



- 1/4" thick solid wood
- Available in CN, MG and PW only

Wrapped Inside Corner Molding

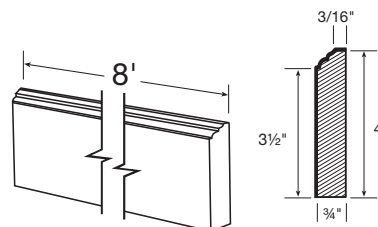
IC96A



- 96" in length
- Paper laminate wrapped MDF core
- Available in BO, CC, CH, and ES colors
- CN, MG and AW is available in Wood Inside Corner Molding (ICM8), see above

Wood Furniture Base Molding

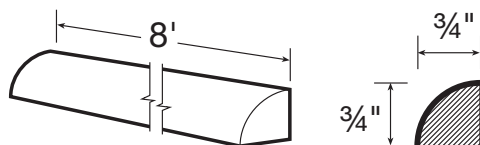
FBM8



- 3/4" thick solid wood
- Available in CN, MG and PW only

Wood Quarter Round

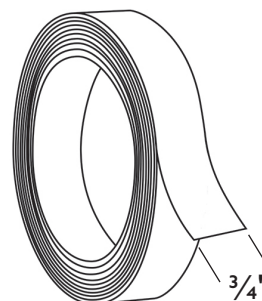
QR8



- 3/4" thick solid wood
- Available in CN, MG and PW only

Decor•Edge Color Matched Cabinet Edging - 25ft. Roll

PSEB-25

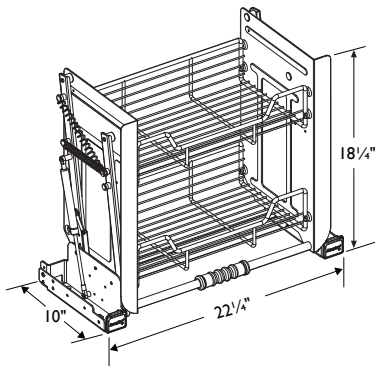


NOTE: For best results, use a 220 grit sand paper to rough up the surface, then clean with alcohol wipes

- Apply over cabinet front edge banding to color match door finish
- Simple peel & stick application
- Available in all finishes

24" Pull-down Shelves Chrome

PDWSS24-CR

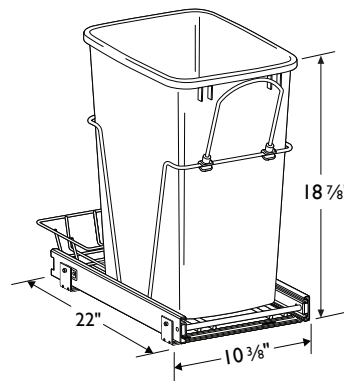


- Install in 24" x 30" and 24" x 38" wall cabinets
- Two tier chrome shelves lowers 10" and brings items forward 14 3/4"
- Gas assisted mechanism smoothly raises and lowers unit
- Locking arm feature holds shelf in down position

NOTE: 30" minimum cabinet height required

Single 35 Qt. Pull-out Waste Bin Kit

PWBK-S35-GR

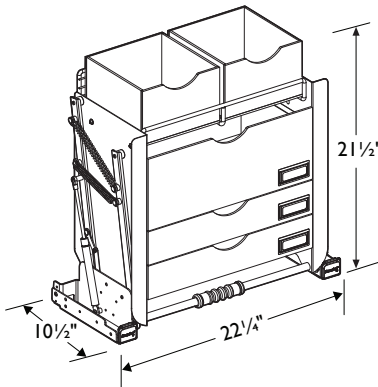


- Install in 15" base cabinet
- Door mount kit included to mount cabinet door
- Features Full-Extension Soft Close ball-bearing slides
- 35 quart container is removable for easy cleaning

NOTE: Not for use in vanity depth cabinets

24" Pull-down Shelves Frosted

PDWSS24-FR

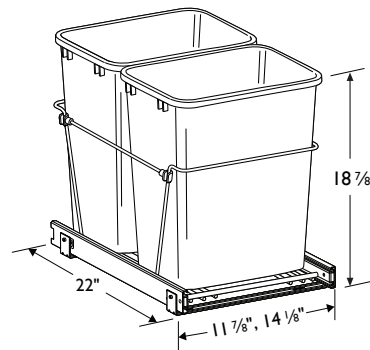


- Install in 24" x 30" and 24" x 38" wall cabinets
- Features 5 removable acrylic storage bins
- Lowers items 10" and brings forward 14 3/4"
- Gas assisted mechanism smoothly raises and lowers unit
- Locking arm feature holds shelf in down position

NOTE: 30" minimum cabinet height required

Double Pull-out Waste Bin Kit

PWBK-D27-GR PWBK-D35-GR

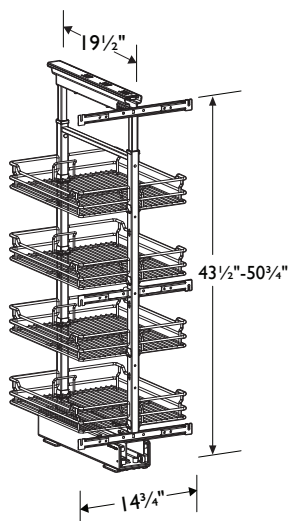


- **D27** fits 15" base cabinet with (2) 27 qt. containers
- **D35** fits 18" base cabinet with (2) 35 qt. containers
- Door mount kit included to mount cabinet door
- Features Full-Extension Soft Close ball-bearing slides
- Removable containers for easy cleaning underneath

NOTE: Not for use in vanity depth cabinets

Pantry Pull-out 4 Chrome Wire Shelves

PP4WS18-CR

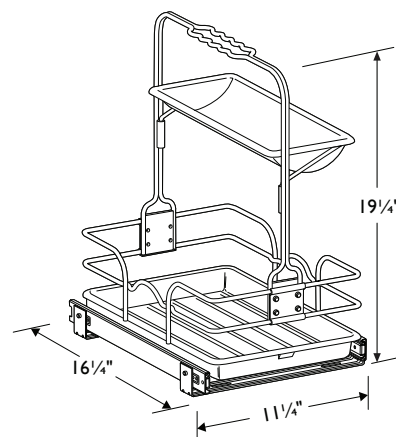


- 250lbs. weight rated slide system
- Ball Bearing Top Slide
- Basket height: 4"
- Door mount kit included

NOTE: Not for use in vanity depth cabinets

Undersink Pull-out Caddy Kit

USPCK12-CR

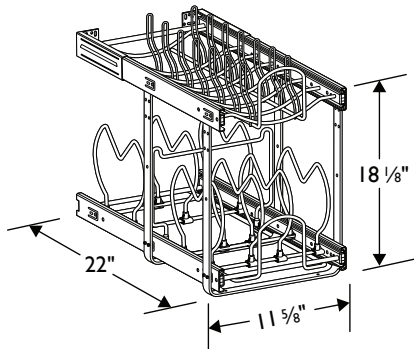


- Adjustable handle that slides either direction to work around plumbing or other obstructions
- Completely removable to take cleaning products with you
- Leak proof trays

Interior Accessories

2-Tier Cookware Organizer for 15" Base

2TCWO15-CR

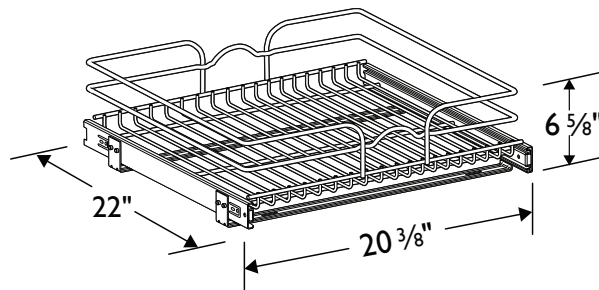


- Adjustable dividers to accommodate different sizes of cookware
- Bottom, side and rear mount for total stability
- Heavy-gauge wire construction
- Two tiers operate independently

NOTE: Not for use in vanity depth cabinets

Single Wire Roll-out Tray for 24" Base

SWROT24-CR

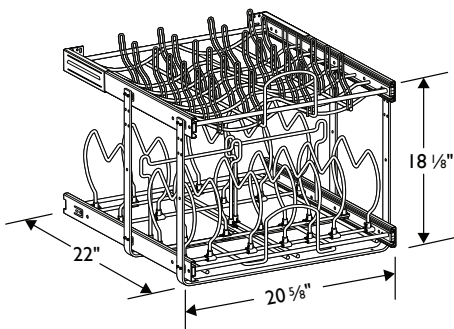


- Full-extension 100lb. rated ball-bearing slides
- Fully-assembled and simple 4 screw installation
- Heavy-gauge wire construction

NOTE: Not for use in vanity depth cabinets

2-Tier Cookware Organizer for 24" Base

2TCWO24-CR

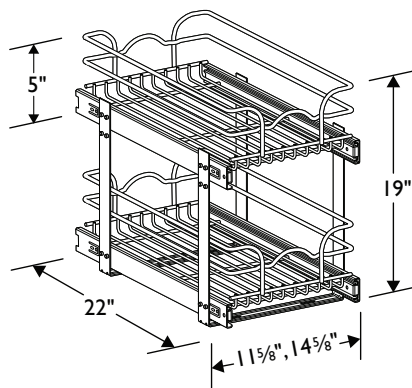


- Adjustable dividers to accommodate different sizes of cookware
- Bottom, side and rear mount for total stability
- Heavy-gauge wire construction
- Two tiers operate independently

NOTE: Not for use in vanity depth cabinets

Double Wire Roll-out Tray for 15" & 18" Base

DWROT15-CR DWROT18-CR

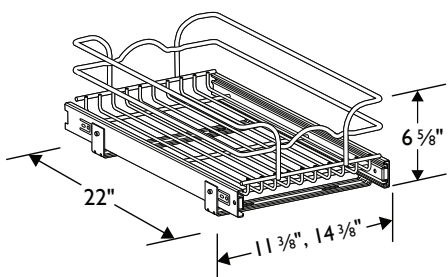


- Bottom, side and rear mount for total stability
- Heavy-gauge wire construction
- Two tiers operate independently

NOTE: Not for use in vanity depth cabinets

Single Wire Roll-out Tray for 15" & 18" Base

SWROT15-CR SWROT18-CR

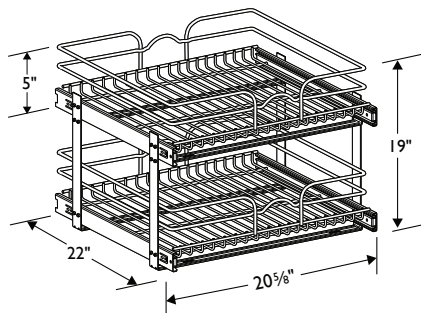


- Full-extension 100lb. rated ball-bearing slides
- Fully-assembled and simple 4 screw installation
- Heavy-gauge wire construction

NOTE: Not for use in vanity depth cabinets

Double Wire Roll-out Tray for 24" Base

DWROT24-CR

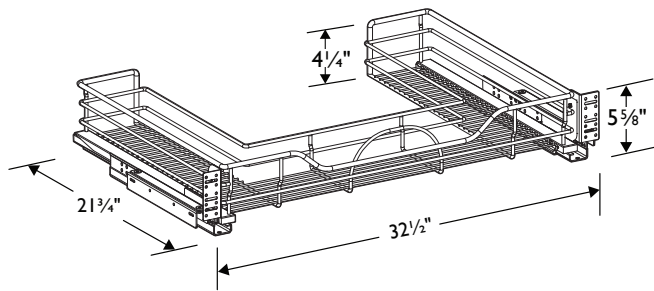


- Bottom, side and rear mount for total stability
- Heavy-gauge wire construction
- Two tiers operate independently

NOTE: Not for use in vanity depth cabinets

Undersink U-shaped Wire Pull-out Shelf

USWPK36-CR

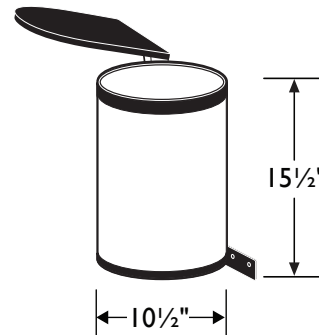


- Fits in 36" cabinet
- Fits around obtrusive plumbing under the kitchen sink

NOTE: Not for use in vanity depth cabinets

15 Liter Pivot Waste Bin

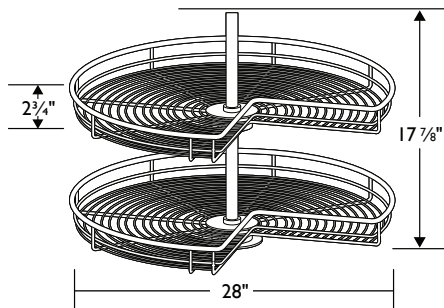
RPOVWB15L



- Perfect for vanity or kitchen applications
- Pivot-out design opens lid when cabinet door is opened
- Chrome finish
- Features an inner polymer container with handle for easy removal

Double Wire Lazy Susan Kit - Chrome

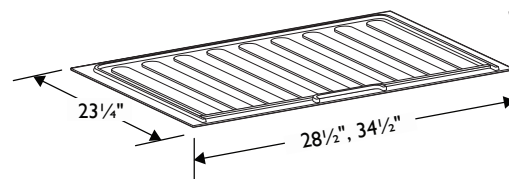
DWLSK-CR



- 2-Shelf 28" Kidney Shape Chrome Lazy Susans
- Fits inside EZ36 Base Cabinet (page 17)
- Chrome 2-Shelf Set with telescoping shaft
- Heavy-gauge wire construction

Kitchen Sink Base Liner

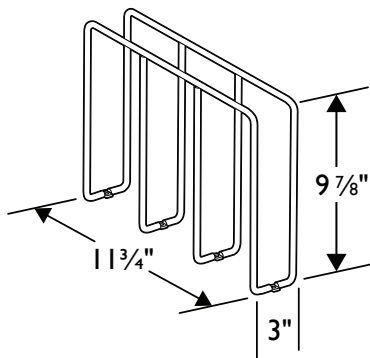
**SBL2730
SBL3336**



- Helps protect sink cabinet from damage due to leaks in piping or drains
- SBL2730 can be trimmed to fit SB30
- SBL3336 can be trimmed to fit SB36
- Not for use in vanity base cabinets
- Grey polystyrene wipes clean with ease

U-Shaped Tray Divider 3" - Chrome

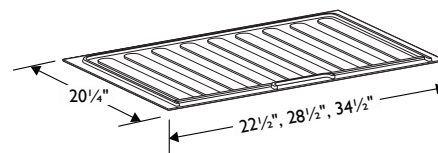
USTD3-CR



- Bakeware Organizer
- Simple installation with only 4 screws
- Use 2 or more to organize cabinet
- Can be used in base or wall cabinet

Vanity Sink Base Liner

**VSBL2124
VSBL2730
VSBL3336**



- Helps protect sink cabinet from damage due to leaks in piping or drains
- VSBL2124 can be trimmed to fit VSB2421
- VSBL2730 can be trimmed to fit VSB3021
- VSBL3336 can be trimmed to fit VSB3621
- Grey polystyrene wipes clean with ease

Required Items List

Wall Cabinets

Model	Required Items
W3012	1 x W3012 Cabinet Kit 1 x Door Pack Q
W3612	1 x W3612 Cabinet Kit 1 x Door Pack R
W3015	1 x W3015 Cabinet Kit 1 x Door Pack S
W3018	1 x W3018 Cabinet Kit 1 x Door Pack T
W3021	1 x W3021 Cabinet Kit 1 x Door Pack U
W3621	1 x W3621 Cabinet Kit 1 x Door Pack V
W3024	1 x W3024 Cabinet Kit 1 x Door Pack W
W1230	1 x W1230 Cabinet Kit 1 x Door Pack A
W1530	1 x W1530 Cabinet Kit 1 x Door Pack B
W1830	1 x W1830 Cabinet Kit 1 x Door Pack D
W2430	1 x W2430 Cabinet Kit 2 x Door Pack A
W3030	1 x W3030 Cabinet Kit 2 x Door Pack B
W3630	1 x W3630 Cabinet Kit 2 x Door Pack D
WAC2430	1 x WA2430 Cabinet Kit 1 x Door Pack C
W1238	1 x W1238 Cabinet Kit 1 x Door Pack E
W1538	1 x W1538 Cabinet Kit 1 x Door Pack F
W1838	1 x W1838 Cabinet Kit 1 x Door Pack H
W2438	1 x W2438 Cabinet Kit 2 x Door Pack E
W3038	1 x W3038 Cabinet Kit 2 x Door Pack F
W3638	1 x W3638 Cabinet Kit 2 x Door Pack H
WAC2438	1 x WA2438 Cabinet Kit 1 x Door Pack G

Pantry Cabinets

Model	Required Items
P182484	1 x P84EP End Panel Pack 1 x P1824SP Shelf Pack 1 x Door Pack D 1 x Door Pack P
P182484-2T	1 x P84EP End Panel Pack 1 x P1824SP Shelf Pack 1 x Door Pack D 1 x Door Pack P 2 x ROTK18 Tray Kit
P182484-4T	1 x P84EP End Panel Pack 1 x P1824SP Shelf Pack 1 x Door Pack D 1 x Door Pack P 4 x ROTK18 Tray Kit
P182492	1 x P92EP End Panel Pack 1 x P1824SP Shelf Pack 1 x Door Pack H 1 x Door Pack P
P182492-2T	1 x P92EP End Panel Pack 1 x P1824SP Shelf Pack 1 x Door Pack H 1 x Door Pack P 2 x ROTK18 Rollout Tray Kit
P182492-4T	1 x P92EP End Panel Pack 1 x P1824SP Shelf Pack 1 x Door Pack H 1 x Door Pack P 4 x ROTK18 Rollout Tray Kit

Base Cabinets

Model	Required Items
B12	1 x B12 Cabinet Kit 1 x Door Pack I
BD12	1 x BD12 Cabinet Kit 1 x Door Pack L
B15	1 x B15 Cabinet Kit 1 x Door Pack J
B15-1T	1 x B15 Cabinet Kit 1 x Door Pack J 1 x ROTK15 Rollout Tray Kit
B15-2T	1 x B15 Cabinet Kit 1 x Door Pack J 2 x ROTK15 Rollout Tray Kit
B15-SWB	1 x B15 Cabinet Kit 1 x Door Pack J 1 x PWBK-S35 Waste Bin Kit
B15-DWB	1 x B15 Cabinet Kit 1 x Door Pack J 1 x PWBK-D27 Waste Bin Kit
BD15	1 x BD15 Cabinet Kit 1 x Door Pack M
B18	1 x B18 Cabinet Kit 1 x Door Pack K
B18-1T	1 x B18 Cabinet Kit 1 x Door Pack K 1 x ROTK18 Rollout Tray Kit
B18-2T	1 x B18 Cabinet Kit 1 x Door Pack K 2 x ROTK18 Rollout Tray Kit
B18-SWB	1 x B18 Cabinet Kit 1 x Door Pack K 1 x PWBK-S35 Waste Bin Kit
B18-DWB	1 x B18 Cabinet Kit 1 x Door Pack K 1 x PWBK-D27 Waste Bin Kit
BD18	1 x BD18 Cabinet Kit 1 x Door Pack N
B24	1 x B24 Cabinet Kit 2 x Door Pack I
B24-1T	1 x B24 Cabinet Kit 2 x Door Pack I 1 x ROTK18 Rollout Tray Kit
B24-2T	1 x B24 Cabinet Kit 2 x Door Pack I 2 x ROTK18 Rollout Tray Kit

Model	Required Items
B30	1 x B30 Cabinet Kit 2 x Door Pack J
BD30	1 x BD30 Cabinet Kit 1 x Door Pack O
SB30	1 x SB30 Cabinet Kit 2 x Door Pack J
B36	1 x B36 Cabinet Kit 2 x Door Pack K
SB36	1 x SB36 Cabinet Kit 2 x Door Pack K
EZR36	1 x EZR36 Cabinet Kit 1 x Door Pack EZ
BBC42	1 x BBC42 Cabinet Kit 1 x Door Pack J 1 x F630 Filler Strip 1 x F330 Filler Strip

Vanity Base Cabinets

VSB2421	1 x VSB2421 Cabinet Kit 2 x Door Pack I
VSB3021	1 x VSB3021 Cabinet Kit 2 x Door Pack J
VSB3621	1 x VSB 3621 Cabinet Kit 2 x Door Pack K
VBD1221	1 x VBD1221 Cabinet Kit 1 x Door Pack L
VBD1521	1 x VBD1521 Cabinet Kit 1 x Door Pack M
L182184	1 x L84EP End Panel Pack 1 x L1821SP Shelf Pack 1 x Door Pack D 1 x Door Pack P

Decorative Hardware



- Euro railing pull
- Brushed nickel

DH45-100 - 7" Euro Pull

3¾" center (96mm)

DH45-102 - 10" Euro Pull*

6-15/16" center (176mm)

DH45-104 - 13" Euro Pull*

9¾" center (248mm)



- Brushed steel

DH44-346 - 8" Square Bar Pull

7½" center (196mm)

DH44-348 - 9" Square Bar Pull

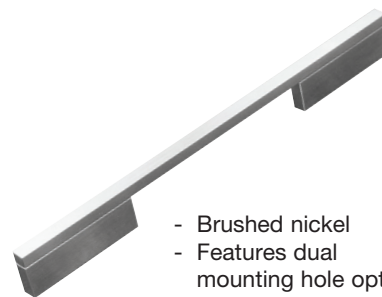
8-13/16" center (224mm)

DH44-350 - 13" Square Bar Pull*

12-5/8" center (320mm)

DH44-352 - 19" Square Bar Pull*

18-7/8" center (480mm)



- Brushed nickel
- Features dual mounting hole options

DH116-120 - 10" Quadra Pull

5" inside center (128mm)

8-13/16" outside center (224mm)

DH116-122 - 11" Quadra Pull

6-5/16" inside center (160mm)

10-1/16" outside center (256mm)

DH116-126 - 14" Quadra Pull

8-13/16" inside center (224mm)

12-5/8" outside center (320mm)

DH116-134 - 20" Quadra Pull*

15-1/8" inside center (384mm)

18-7/8" outside center (480mm)

DH116-136 - 24" Quadra Pull*

18-7/8" inside center (480mm)

22-11/16" outside center (576mm)

* Due to the overall length of this hardware, it is not compatible with drilling template HDWE TEMPLATE-TK or RTA.

Decorative Hardware



DH43-826

- Elongated oval knob
- Antique pewter
- 2" length



DH43-630

- Elongated oval knob
- Oiled bronze
- 2" length



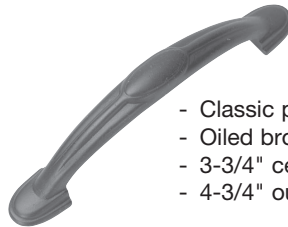
DH43-618

- Octagon knob
- Oiled bronze
- 1-3/8" diameter



DH43-828

- Classic pull
- Antique pewter
- 3-3/4" center (96mm)
- 4-3/4" outside length



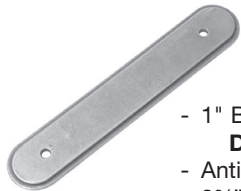
DH43-632

- Classic pull
- Oiled bronze
- 3-3/4" center (96mm)
- 4-3/4" outside length



DH43-614

- Traditional pull
- Oiled bronze
- 3-3/4" center (96mm)
- 4-1/2" outside length



DH43-824

- 1" Backplate for **DH43-828**
- Antique pewter
- 3-3/4" center (96mm)
- 5-1/4" outside length



DH43-628

- 1" Backplate for **DH43-632**
- Oiled bronze
- 3-3/4" center (96mm)
- 5-1/4" outside length



DH43-628

- 1" Backplate for **DH43-614**
- Oiled bronze
- 3-3/4" center (96mm)
- 5-1/4" outside length



DH43-820

- Screw-head cup pull
- Antique pewter
- 2-1/2" center (64mm)
- 4-1/8" outside length



DH43-624

- Screw-head cup pull
- Oil rubbed bronze
- 2-1/2" center (64mm)
- 4-1/8" outside length



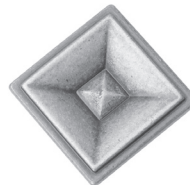
DH43-624

- Screw-head cup pull
- Oil rubbed bronze
- 2-1/2" center (64mm)
- 4-1/8" outside length



DH99-188

- Round knob
- Brushed nickel
- 1-1/4" diameter



DH93-152

- Raised mitered knob
- Antique pewter
- 1-3/8" square



DH43-124

- Octagon knob
- Antique silver
- 1-3/8" diameter



DH99-128

- Contemporary bow pull
- Brushed nickel
- 3-3/4" center (96mm)
- 5-1/4" outside length



DH93-112

- Raised mitered pull
- Antique pewter
- 3-3/4" (96mm) & 5" (128mm) center
- 6-3/8" outside length



DH43-114

- Traditional pull
- Antique silver
- 3-3/4" center (96mm)
- 4-1/2" outside length

Decorative Hardware

DH65-200



- Birdcage knob
- Antique iron
- 2-1/2" length

DH88-104



- Arrowhead knob
- Antique pewter
- 3-1/2" length

DH65-120



- Birdcage pull
- Antique iron
- 3-3/4" center (96mm)
- 4" outside length

DH88-110



- Arrowhead pull
- Antique pewter
- 5" center (128mm)
- 7-1/2" outside length

DH95-144



- Square dimpled knob
- Matte nickel
- 1-1/4" square

DH87-102

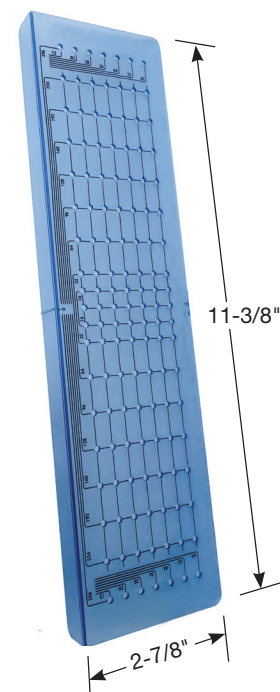


- Square ribbed knob
- Brushed nickel
- 1" square

**HDWE TEMPLATE-TK
HDWE TEMPLATE-RTA**

Hardware Drilling Template

Align with door frame to quickly and accurately mark hole locations.



DH95-104



- Square dimpled pull
- Matte nickel
- 6-5/16" center (160mm)
- 7-1/2" outside length

DH87-112



- Ribbed bow pull
- Brushed nickel
- 3-3/4" center (96mm)
- 4-11/16" outside length

NOTE: Refer to the individual decorative hardware size specifications to determine compatibility with this template.

HOME
DECORATORS
COLLECTION



hdckitchens.com

EURO Kitchen & Bath Cabinetry

LEARN MORE



Instant Kitchen
Estimator

LEARN MORE



Cabinet
Quality

LEARN MORE



Free Color
Samples

LEARN MORE



Measuring
Guide

5 Year
Manufacturer
Warranty

CARB2
compliant

