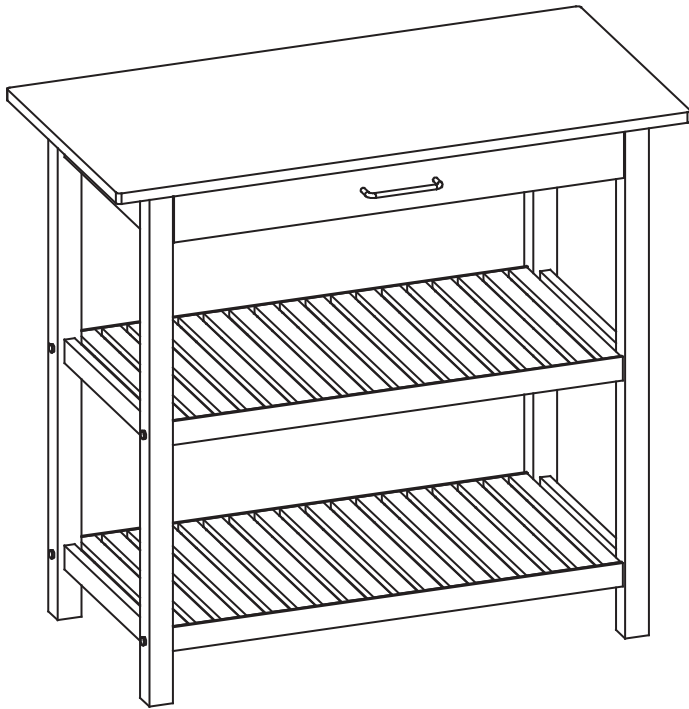


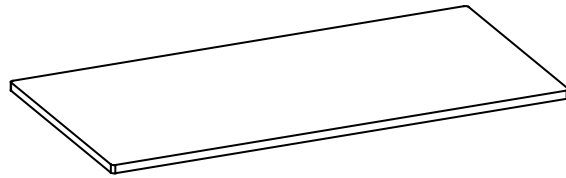
Assembly Instruction

Item #373-9X

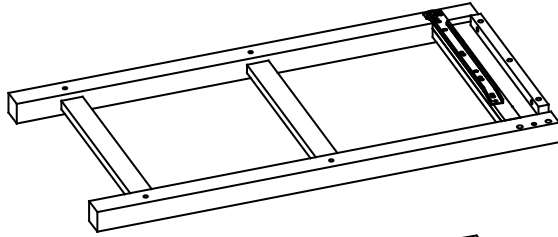
Kitchen Island Iron Handle



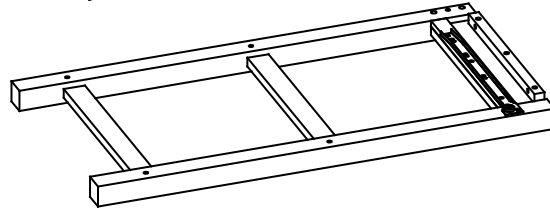
Parts List



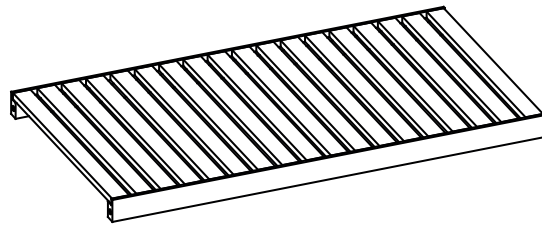
A
Table Top
1 Pc.



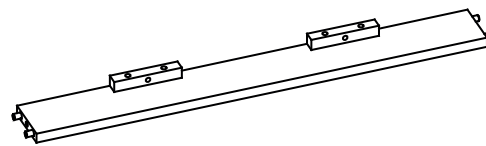
B
Left Panel
1 Pc.



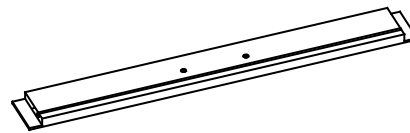
C
Right Panel
1 Pc.



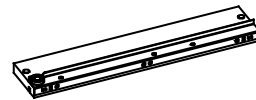
D
Shelves
2 Pcs.



E
Back Panel
1 Pc.



F
Drawer Front
1 Pc.



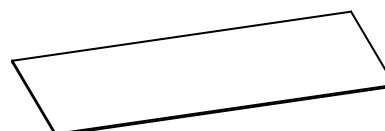
G
Drawer Left
1 Pc.



H
Drawer Right
1 Pc.



I
Drawer Back
1 Pc.



J
Drawer Plate
1 Pc.

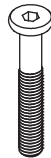
Hardware



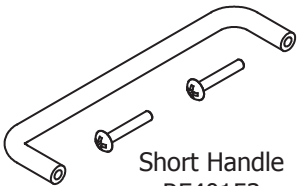
Drywall F6 x 1"
RF10030
8 Pcs.



JCB M6 x 30
RF10052
6 Pcs.



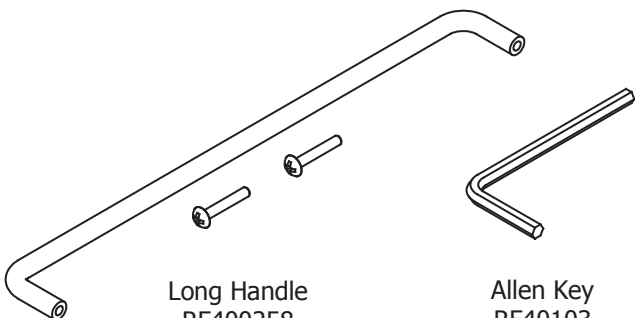
JCB M6 x 50
RF10034
10 Pcs.



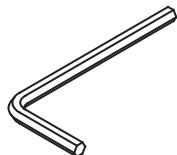
Short Handle
RF40153
1 Set



Wood Plug
RF40001
10 Pcs.



Long Handle
RF400258
1 Set



Allen Key
RF40103
1 Pc.

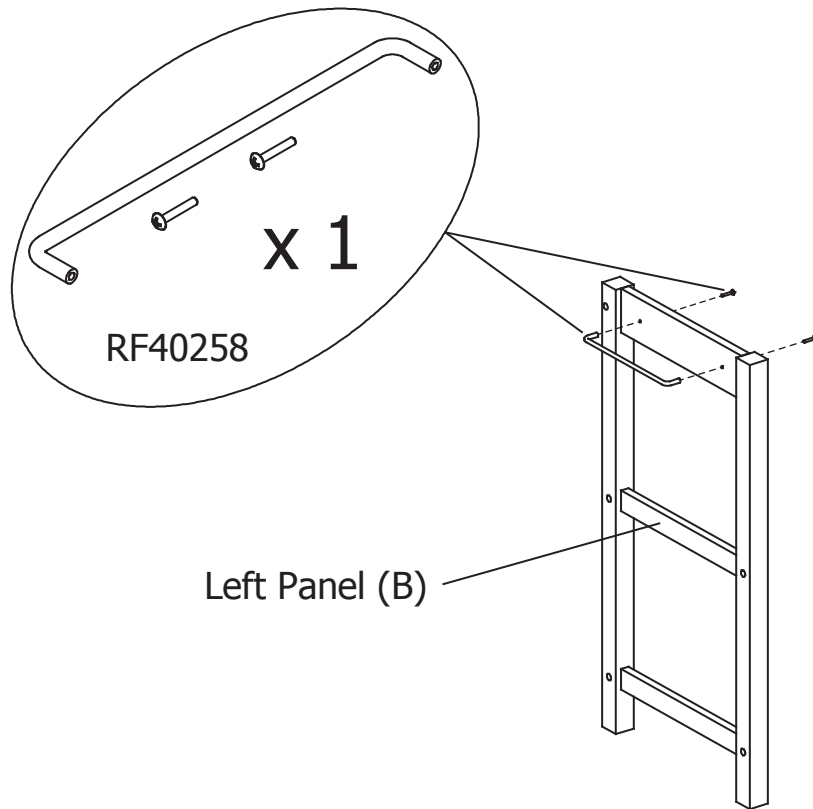


Diagram 1.

Step 1.

Attach Long Handle (RF40258) into the Left Panel (B) as per Diag.1.

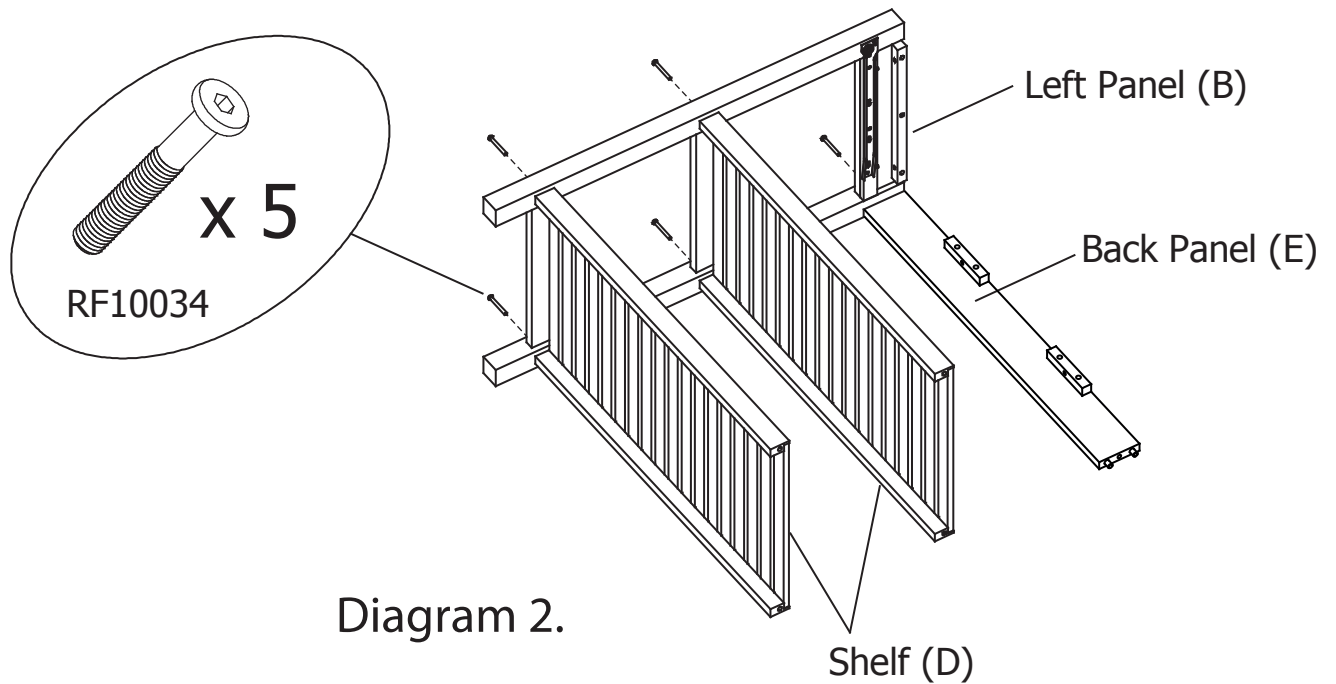


Diagram 2.

Step 2.

Attach Left Panel (B), 2 Shelves (D) and Back Panel (E) together using 5 screws (RF10034) as per Diag.2.

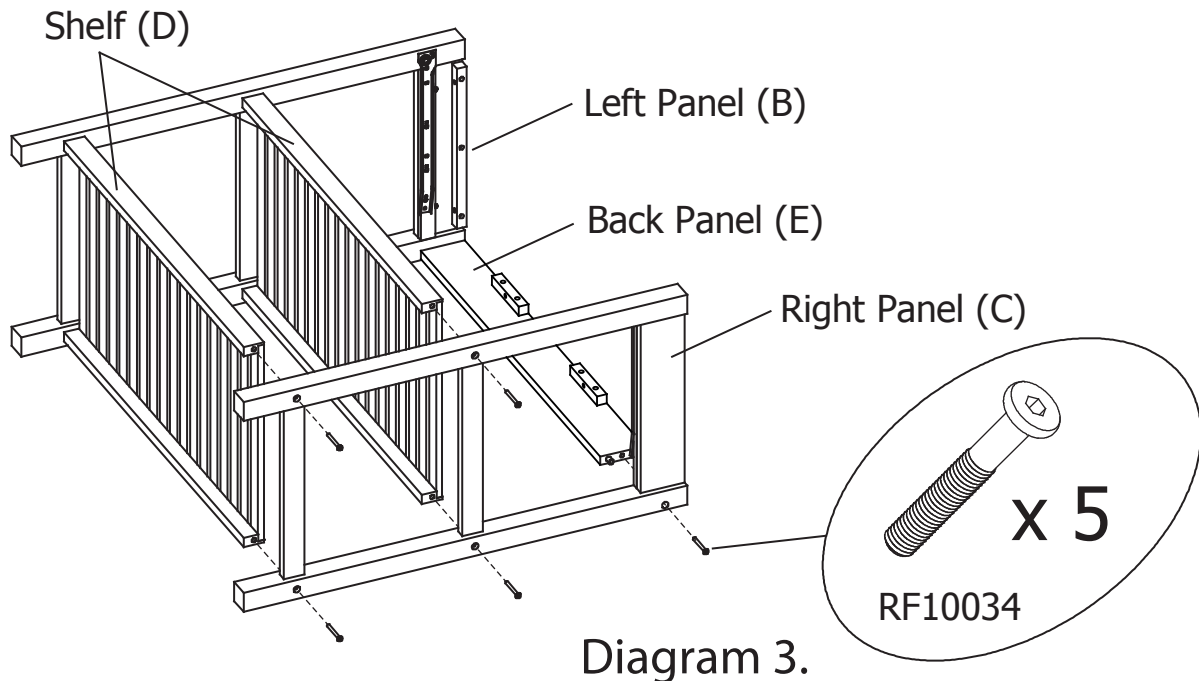


Diagram 3.

Step 3.
Attach Right Panel (C) into Shelves (D) and Back Panel (E) using 5 screws (RF10034) as per Diag.3.

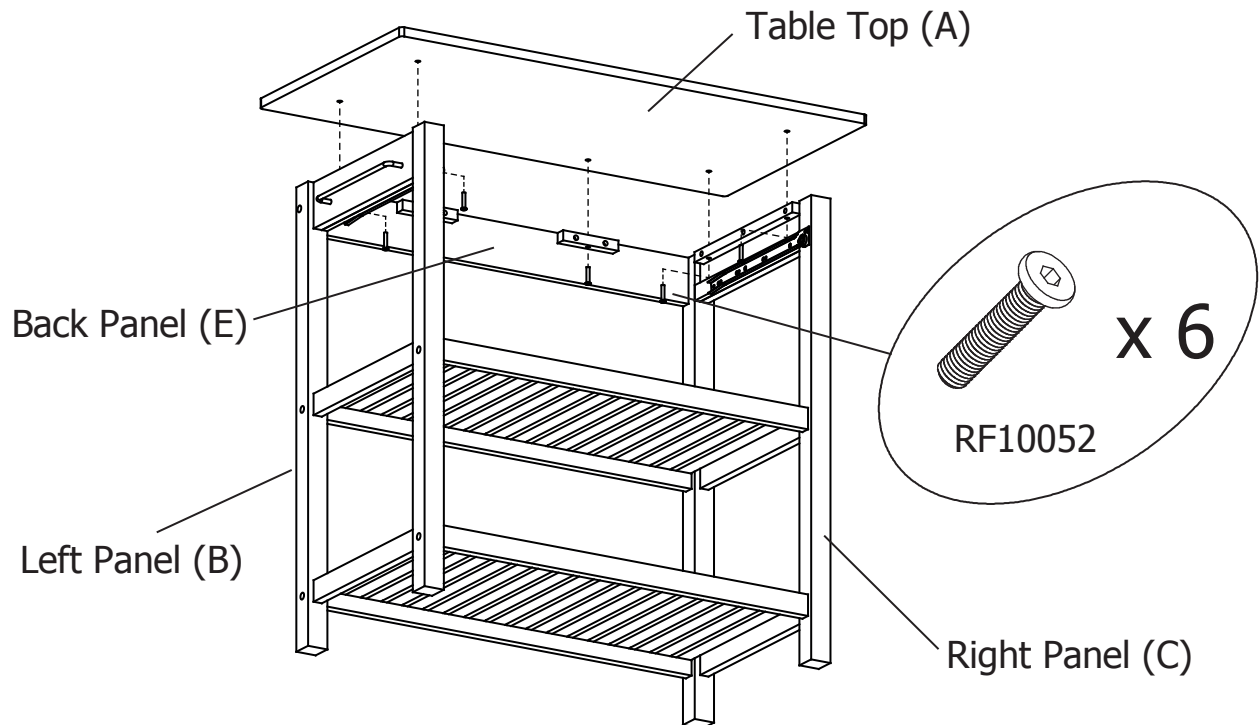


Diagram 4.

Step 4.
Attach Table Top (A) onto the unit using 6 screws (RF10052) as per Diag.4.

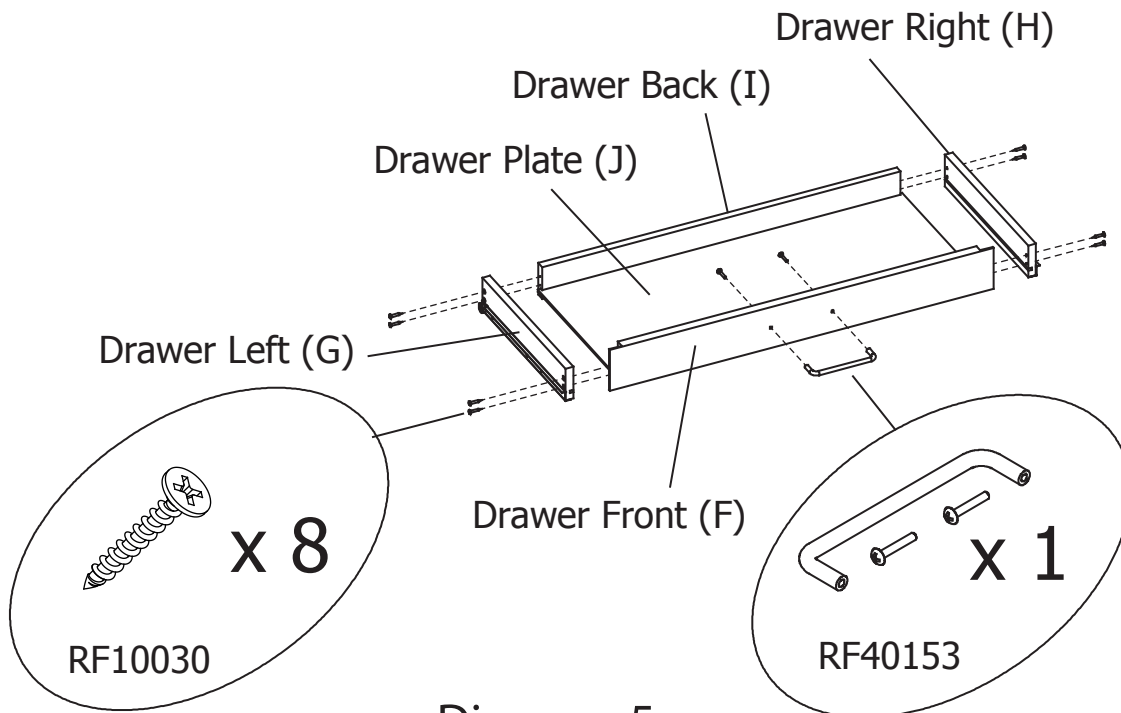
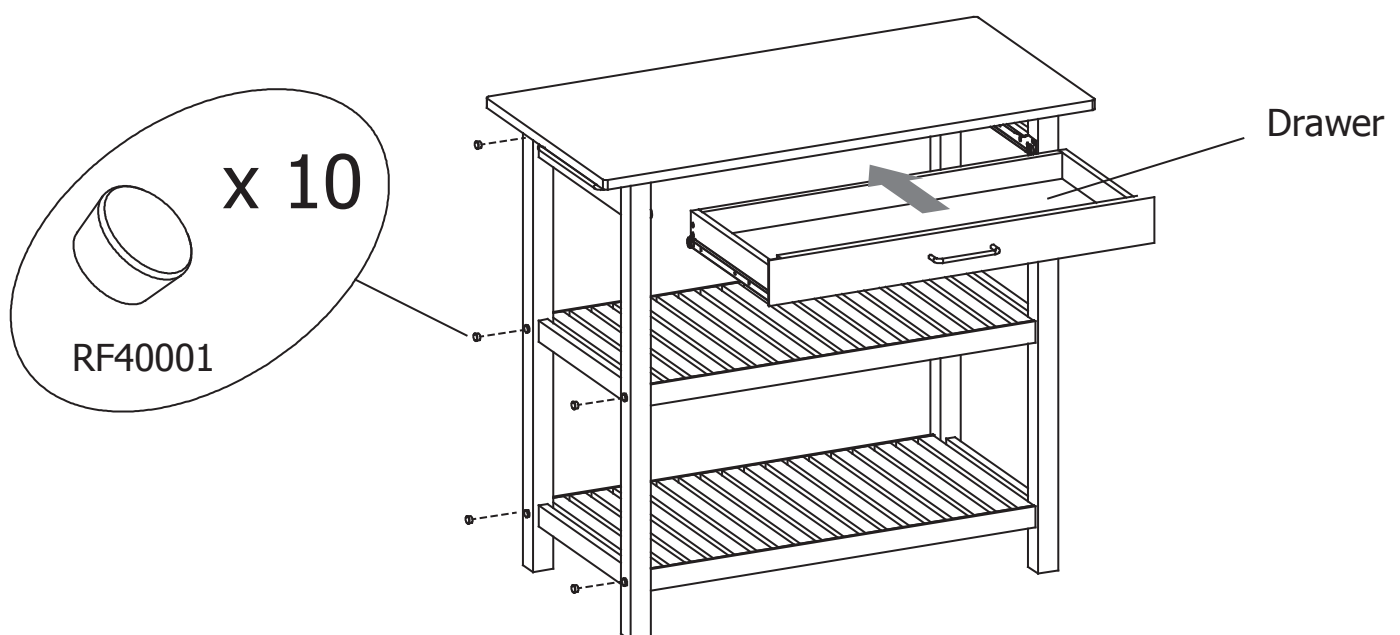


Diagram 5.

Step 5.

- Attach Short Handle (RF40153) into the Drawer Front (F).
- Assemble the drawer by attaching the Drawer Front (F), Drawer Left (G), Drawer Right (H), Drawer Back (I) and Drawer Plate (J) together using 8 screws (RF10030) as per Diag.5.



Step 6.

- Slide in drawer and cover screw holes with Wood Plugs (RF40001) as per Diag.6.