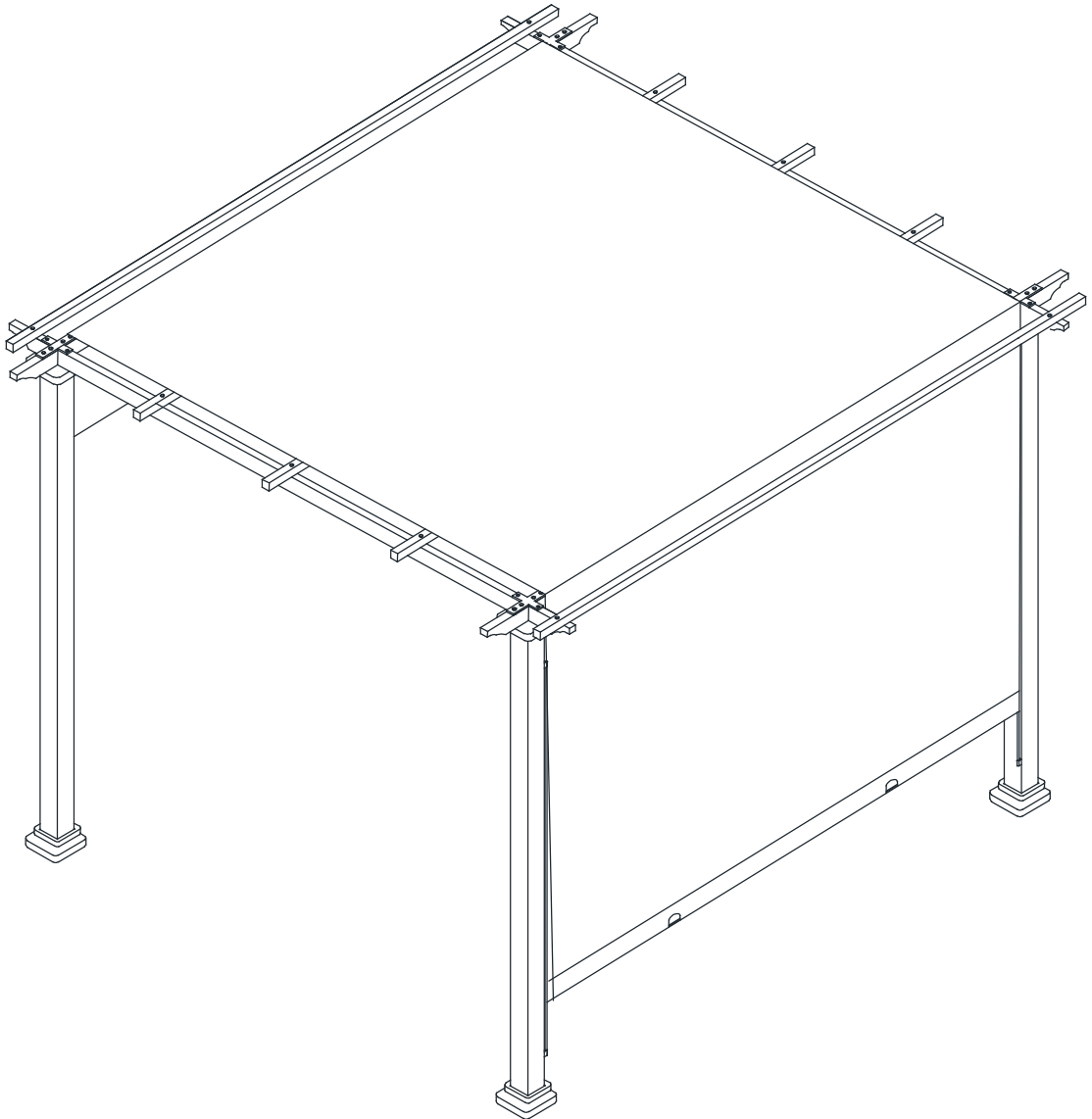


# USE AND CARE GUIDE

---

## 10'X 10' Square Pergola



# Safety Information

## 1. SET UP YOUR PERGOLA PROPERLY

- This unit is heavy. Do not assemble this item alone. 4 people are recommended for safe assembly.
- Please read and understand this entire manual before attempting to assemble, operate, or install the product.
- Keep all children, pets and other obstructions away from assembly area.
- If any part is missing or damaged, do not attempt to assemble the product.
- In order to avoid damage to the gazebo and its components please use appropriate tools.
- Do not use the structure as support.
- Check all bolts on a regular basis to maintain the solidity of the structure.
- Keep instructions for future use.



**DANGER:** This unit is heavy! Do not assemble this item alone.



**WARNING:** Do not leave the gazebo where there is a risk of high wind, as possible damage will occur to the structure.



**CAUTION:** Do not climb on top of the gazebo. Falling off the gazebo can result in serious injury, possibly even death.

## 2. EXAMINE YOUR PERGOLA

- Examine occasionally to ensure there are no loose parts. If loose parts are found, they should be retightened immediately.

# Warranty

## 1 YEAR WARRANTY FOR FRAME, 1YEAR WARRANTY FOR FABRIC

### WHAT IS COVERED

We provide warranty to the original purchase for 1 year for frame and 1 year for fabric from the date of purchase, and the fabric and frame will be replaced at no charge due to manufacturing defects.

### WHAT IS NOT COVERED

We do not reimburse for transportation costs. This warranty does not cover the damage caused by commercial use, acts of nature, fire, freezing, and abusive use. Discoloration or fading of the finish or fabrics as a result of chemicals or spills is not covered.

# Warning



**WARNING:** KEEP ALL FLAME AND HEAT SOURCES AWAY FROM THIS TENT FABRIC.

This tent meets the flammability requirements of CPAI-84. The fabric may burn if left in continuous contact with any flame source. The application of any foreign substance to the tent fabric may render the flame-resistant properties ineffective.

# Pre-installation

## PLANNING INSTALLATION

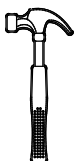
To prevent damage, place all parts on a soft surface during assembly.

Tools required for assembly (not included): Allen wrench (included), hammer, screwdriver, stepladder, level and other safety items such as gloves, safety goggles and hardhat.



**NOTE:** Tools and protective articles below are not provided.

## TOOLS REQUIRED



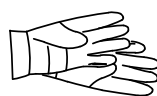
Hammer



Screwdriver



Safety goggles



Gloves



Hardhat



Stepladder



Level