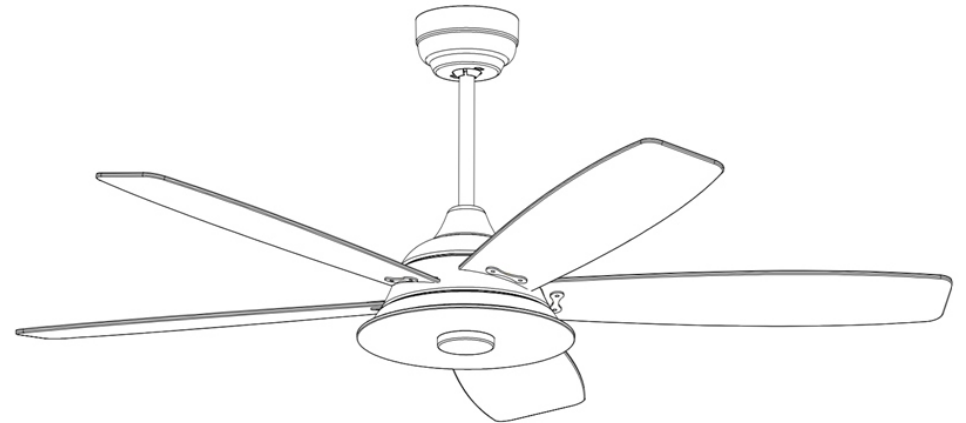


INSTALLATION GUIDE



ITEM: CES525HL / CES565HL

Technical Parameter: AC 120V 60HZ

Please read and save the instructions carefully before using this product

SAFETY PRECAUTION:

IMPORTANT: PLEASE READ BEFORE INSTALLATION:

1. Before you begin installing the fan, shut power off at the circuit breaker of the fuse box.
2. **CAUTION:** Read all instructions and safety information before installing your new fan. Review accompanying assembly diagrams.
3. Make sure that all electrical connections are in accordance with National Electrical Code, ANSI/NFPA 70 and local codes. Hire a qualified electrician if you are unfamiliar with installing electrical wiring.
4. Make sure the installation site you choose allows the fan blades to rotate without any obstructions. Allow a minimum clearance of 2.1m (7 feet) from the floor and 18 inches from the tip of the blades to the wall.
5. **WARNING-** To reduce the risk of fire, electric shock, or personal injury, mount to outlet box marked "Acceptable for Fan Support of 15.9 kg (35 lbs) or less" and use mounting screws provided with the outlet box.
6. **CAUTION:** To reduce the risk of injury use only the screws provided with the outlet box in conjunction with the lock washers provided with the fan.
7. The outlet box and support structure must be securely mounted and capable of reliably supporting a minimum of 35 pounds. Use only U.L. Listed outlet boxes marked "Acceptable for Fan Support of 15.9 kg (35 lbs) or less".
8. After you install the fan, make sure that all mounting components are secured to prevent the fan from falling.
9. Do not insert anything into the fan blades while the fan is operating.
10. To change the direction of the rotation of the blades the fan must be in operation mode.
11. All set screws must be checked and retightened where necessary before installation.
12. **WARNING** - To reduce the risk of personal injury, do not bend the blade bracket when installing the brackets, balancing the blades, or cleaning the fan. do not insert foreign objects in between rotating fan blades.
13. **CAUTION-**To reduce the risk of electric shock, disconnect the electrical supply circuit to the fan before installing light kit.
14. After making the wire connections, the wires should be spread apart with the grounded conductor and the equipment-grounding conductor on one side of the outlet box and the ungrounded conductor on the other side of the outlet box.
15. The splices after being made should be turned upward and pushed carefully up into the outlet box. Conductor of a fan identified as grounded conductor is to be connected to a grounded conductor of power supply, conductor of fan identified as ungrounded conductor to be connected to an ungrounded conductor of power supply, conductor of fan identified for equipment grounding to be connected to an equipment-grounding conductor.

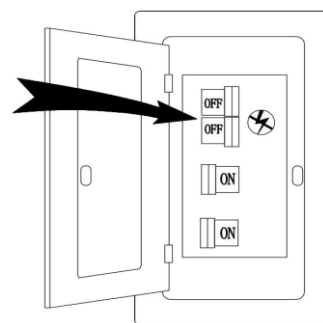
16. This device complies with part 15 of the FCC Rules. Operation is subject to the following two conditions: (1) This device may not cause harmful interference, and (2) this device must accept any interference received, including interference that may cause undesired operation.

WARNING - To reduce the risk of electric shock, this fan must be installed with a general use, isolating wall control/switch.

WARNING - To reduce the risk of fire or electric shock, do not use this fan with any solid-state speed control device.

NOTE: The important safeguards and instructions appearing in this manual are not meant to cover all possible conditions and situations that may occur. It must be understood that common sense, caution and care are factors which cannot be built into this product. These factors must be supplied by the person (s) installing, caring for and operating the unit.

CAUTION: The light source is designed for this specific application and can overheat if serviced by untrained personnel. If any servicing is required, the product should be returned to an authorized service facility for examination or repair.



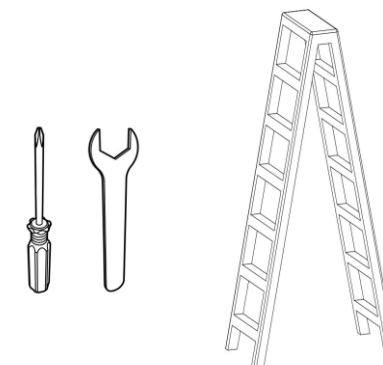
BEFORE YOU START

Contact a licensed electrician if you are uncomfortable performing electrical work.

A licensed electrician must install the fan if required by local code.

Do not use the fan with a dimmer switch.

Turn off power at breaker



Four types of installation tools

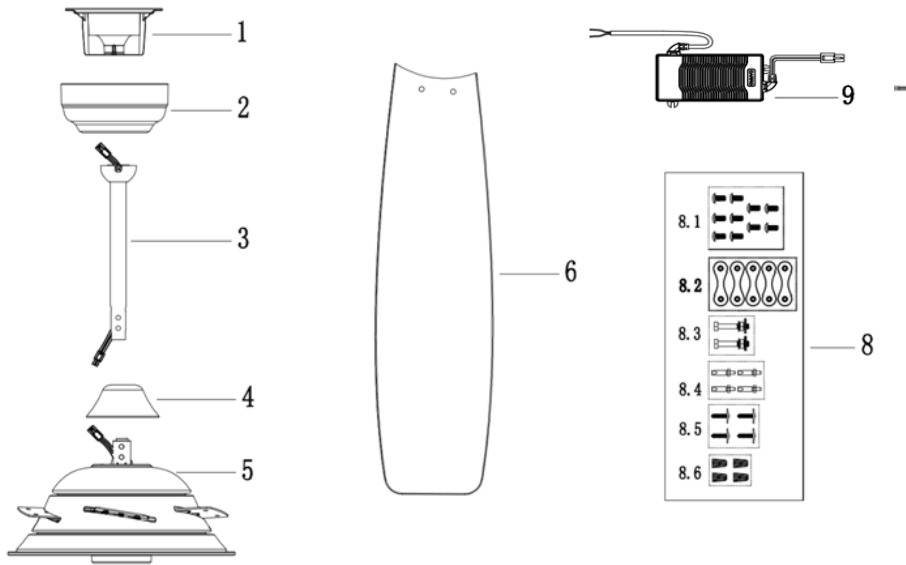
(1) Cross screwdriver

(2) External hexagonal wrench

(3) Wire stripper

(4) Herringbone ladder

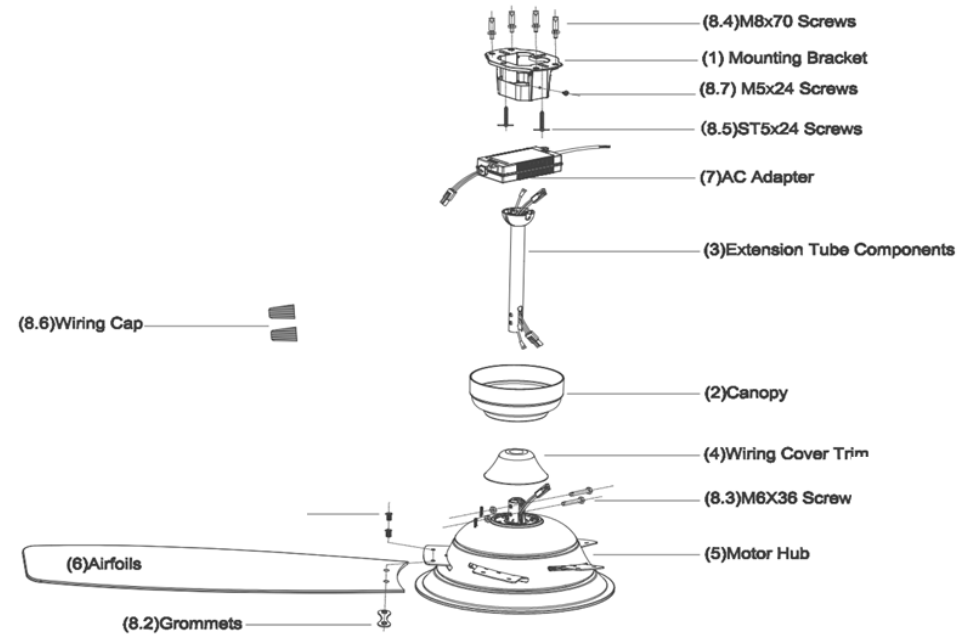
UNIVERSAL MOUNT:



1. Mounting Bracket 2. Canopy 3. Extension Tube 4. Wiring Cover
 5. Motor 6. Ply Wood Airfoils 7. AC Adapter 8. Screws bag

Screws bag	Description	Quantity
8.1	Airfoils' Screw	10
8.2	Grommets	5
8.3	Rod Screw	2
8.4	Setscrew	4
8.5	Bracket Screw	2
8.6	Plastic wire nut	4

STANDARD MOUNT



(8.6) Wiring Cap

(6) Airfoils

(8.2) Grommets

(8.4) M8x70 Screws

(1) Mounting Bracket

(8.7) M5x24 Screws

(8.5) ST5x24 Screws

(7) AC Adapter

(3) Extension Tube Components

(2) Canopy

(4) Wiring Cover Trim

(8.3) M6X36 Screw

(5) Motor Hub

Installation

1.Install Airfoils

Moving clockwise (8.1) , align each airfoil with (8.2) on the fan motor (Fig.1.1).

Make sure the each airfoil matches the corresponding place on the fan Hub(Fig.1.2)!

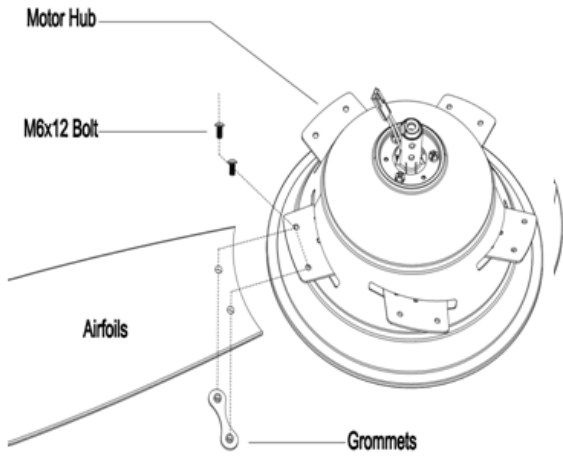


Fig.1.1

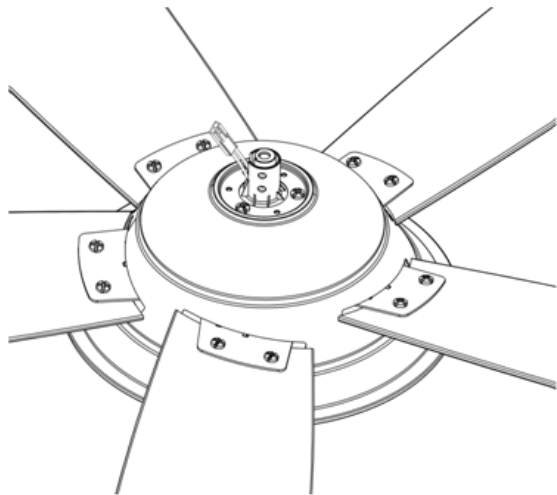


Fig.1.2

2.Attach Extension Tube

Put extension tube as Fig.2.1 install as Fig.2.2.

Connect the wiring harness from the extension tube to the receptacle from the motor wire as Fig.2.3.



Fig.2.1



Fig.2.2

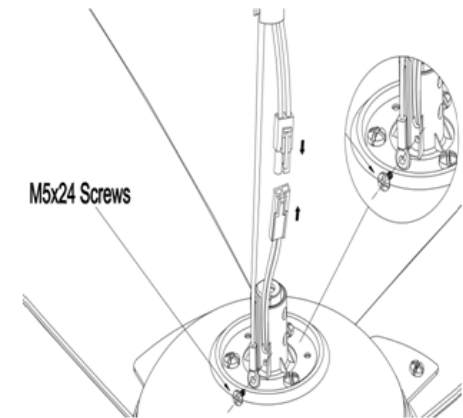


Fig.2.3

3. Attach Extension Tube and Wiring Harness

Connect the wiring harness from the extension tube to the receptacle from the motor hub (Fig.3.1), make sure the wiring harness inside the extension tube.

Align the holes on the extension tube with the holes on the motor bracket (Fig.3.2), and then secure the tube with (8.3) bolts and nuts (Fig.3.2).

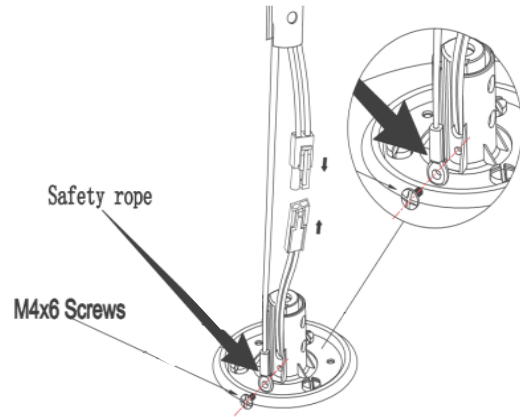


Fig.3.1

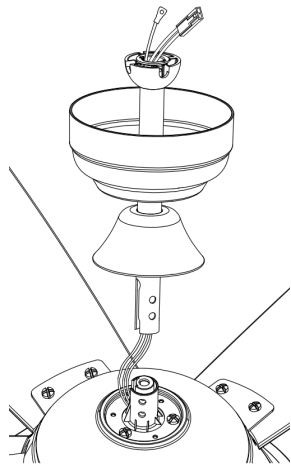


Fig.3.2

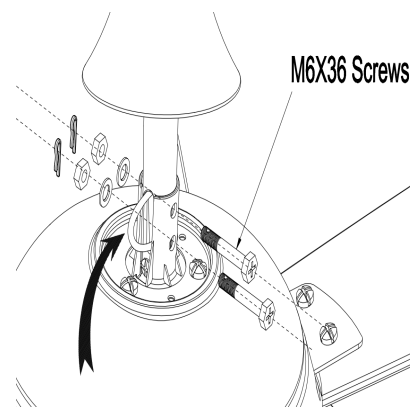


Fig.3.3

4. Install Extension Tube and Fan Hub

Make sure all screws firmly and all hardware is secure (Fig.4.1). Slide the wiring cover down the extension tube, resting it on the fan hub.

Make sure no wires are visible between the cover and fan hub. Slide the canopy down the extension tube (Fig.4.2).

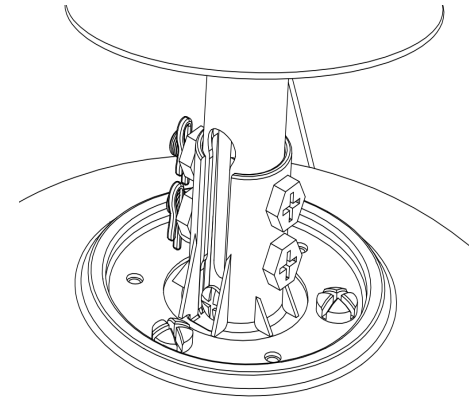


Fig.4.1

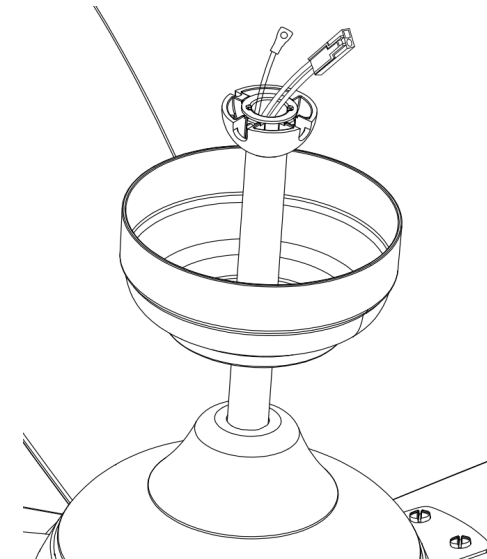


Fig.4.2

5.Assembly — Hanging the Fan

Install the hanger to the ceiling box, as shown in Fig.5.1 below. Before installation, please take the hanger hand to match the mounting hole of the hanger at different angles. Note: This hanger is a general-purpose cable box.

If the hanger is installed at the outlet box, the hanger should be installed on the outlet box with two screws matching the outlet box itself. Then the symmetrical holes on the left and right sides should be installed with expansion screws to fix the ceiling, as shown in the schematic Fig.5.1.

The hanger can also be mounted to the wooden ceiling beam, and then the four self-tapping screws can be used to lock the symmetrical holes on the left and right sides of the hanger. Note: The wooden ceiling beam must meet the tensile test of 30KG for installation, such as Fig 5.2. Shown. It is also possible to install the hanger directly to the concrete ceiling, and install four expansion screws to the left and right symmetrical holes of the hanger to lock the ceiling, as shown in the schematic Fig 5.3.

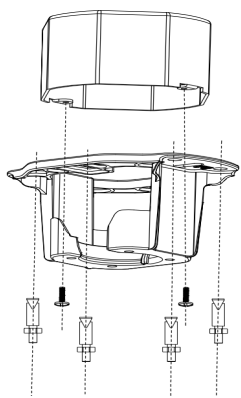


Fig.5.1

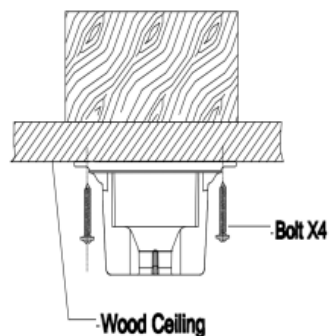


Fig.5.2

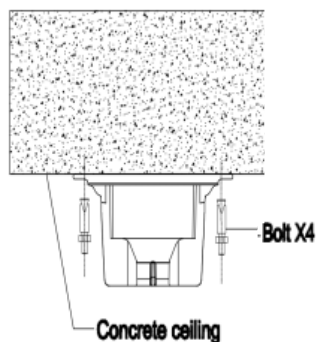


Fig.5.3

6.Hanging ceiling fan& installing power adapter

WARNING: To reduce the risk of fire, electric shock or other personal injury, mount the fan only to an outlet box or supporting system marked acceptable for fan support and use the mounting screws provided with the outlet box.

Hang the installed ceiling fan on the hanger mounted to the ceiling. As shown in the schematic Fig.6.1, pay attention to the Fig. 6.1 partial enlargement schematic arrow. Screw tight the safety rope with the ceiling which can hang over 30kg.

The ball groove needs to match the hanger boss. Install the power adapter to the hanger platform in Fig.6.2 as shown

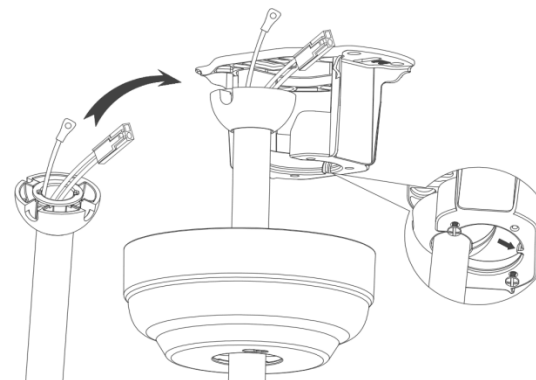


Fig.6.1

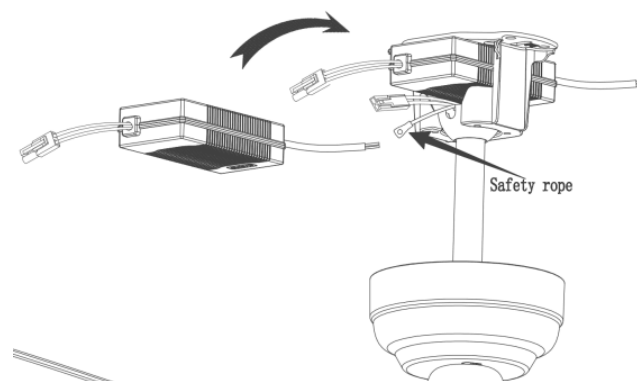


Fig.6.2

7. Wire the Fan

WARNING: Check to see that all connections are tight, including ground, and that no bare wire is visible at the wire nuts (except for the ground wire).

WARNING: To reduce the risk of fire or electric shock, do not use this fan with any solid-state speed control device.

WARNING: To avoid possible electrical shock, be sure electricity is turned off at the main fuse box before wiring.

Take out the adapter from hanger and connect the AC input to the house electricity, then hide AC wire into ceiling and put the adapter inside the hanger. The yellow wire from hanger connect with the ground wire from the house with plastic wire nut to protect and then hide inside the ceiling. Put the adapter inside the hanger and connect the DC output wire with the wire from motor through the down rod. (Make sure all the wires connect with right color as Fig. 7.1).

Make sure all wires and the safety cable are tucked in the canopy. (Fig. 7.2)

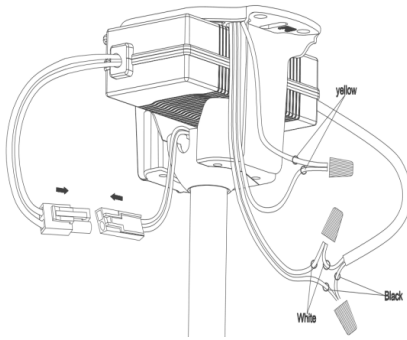


Fig.7.1

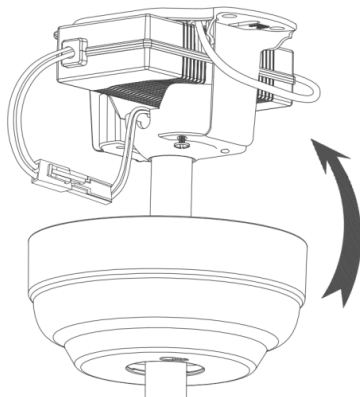


Fig.7.2

8. Raise Canopy

Raise the canopy to the mounting bracket, aligning the two screws on the canopy with the holes on the bracket. Secure the canopy to the mounting bracket with the painted screws, as Fig. 8.1.

Installation is now complete. Turn on the power. Test your fan using the remote control. Observe whether there is red light flashing in the center of the ceiling fan glass lampshade.

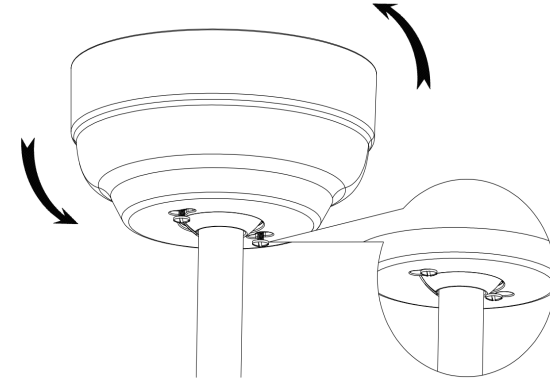


Fig.8.1

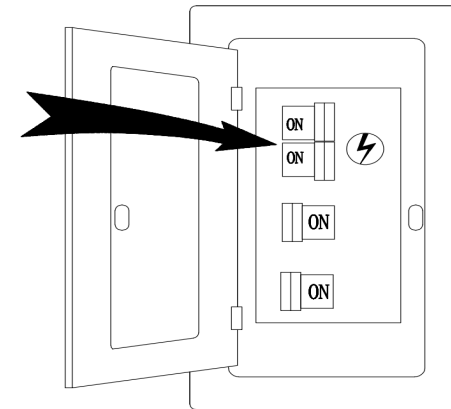
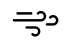



Fig.8.2


9.Remote control functions and Settings


Precondition : As turn on the fan then long press button "White" for 3-5 second, when hear the buzzer "DI" it means that the remote and the product code are successfully operated with normal functions.


Do not expose the remote control to rain or water.


 Turns the fan on or off.
OFF

 Forward/Reverse fan direction.

 Increases fan speed.
ON

 Decreases fan speed.
ON

 Varies fan speed to simulate a natural breeze
Adjusts your fan speed overnight to keep you comfortable while you sleep.

 Turns yellow light on or off and RF pairing.

 Turns white light on or off and WIFI pairing.
(Press "W" button for 5 seconds and paired device will disconnect with the connected fan)

 Dim the lights

10.APP control Connection

In addition to the included remote control, you can control the fan through the Smart Elfin app.

To connect the remote and the fan, press "Y" button for 5 second until "Bee" sound heard.

Step #1 Download the App "Carro Home" from the Apple Store or Google play, also you can scan the QR code below to download.

Step #2 Open the App and create your account, as first time user you can create the account with "Carro Home" through E-mail or Mobile phone number.

Step #3 Set up a WIFI connection between the App and the fan, as following:

*1)Add Device

*2)Select Smart Ceiling Fan

*3)Make sure your Smart Ceiling Fan is power on and can be remoted control and operated normally.

*4) Enter WIFI Password

*5) Find the device's signal "CARRO HOME-XXXX" on your phone setting then go back to "Carro Home" App and start connecting automatically

If you can not find the signal "CARRO HOME-XXXX", turn the power off then turn it on again, use remote control point at the fan and press "W" button for 5 seconds until "Bee" sound heard. Go back to your phone setting then you will find the signal "CARRO HOME-XXXX".

*6) After completed the connection, the App control interface will appear, you can control the Smart Fan by App.(red frame allow you to change the name of your device,if you need.)

If you need to connect the fan with Alexa and Google Assistant you can press the following icon to learn how to do it.

NOTE: Maximum of 1 fan can operate on a circuit through the remote control.



11. Basic product parameters

Name	DC ceiling fan with light	Voltage	120V
Model	CES525HL	Watt	66W(Fan 30W Lamp 36W)
Gross weight	10.8kg(23.8lbs)	Rpm	50-220rpm
Net weight	7.4kg(16.3lbs)	Noise	≤60dB(A)
Size	1320X1320X490mm (52X52X19.2inch)	Airflow	≥6000CFM

Name	DC ceiling fan with light	Voltage	120V
Model	CES565HL	Watt	66W(Fan 30W Lamp 36W)
Gross weight	10.9kg(24lbs)	Rpm	50-205rpm
Net weight	7.5kg(16.5lbs)	Noise	≤60dB(A)
Size	1422X1422X490mm (56X56X19.2inch)	Airflow	≥6000CFM

12. Troubleshooting

Your fan may occasionally jerk forward and backward upon start up. This is normal and does not affect fan operation.

Issue	Solution
The fan will not start.	<ol style="list-style-type: none"> 1. Make sure the fan is receiving power. 2. Check your circuit breaker or fuse panel and wall switch for functionality, check the red light whether on flashing. 3. Make sure the fan is properly wired and grounded. 4. Make sure the plastic film in the remote's battery tray has been removed.
The fan wobbles	Remove the airfoils and make sure the colored dot sticker on each airfoil matches the corresponding sticker on the motor hub. If the stickers do not match, move the airfoils to the matching attachment points.

LED OFF	<ol style="list-style-type: none"> 1. Make sure LED wire connect with controller. 2. Make sure the whole machine is energized. 3. Make sure the remote control code is matched.
The fan is noisy during operation	<p>Bring the fan to a complete stop.</p> <ul style="list-style-type: none"> • Gently turn the airfoils by hand, making sure there are no fan parts rubbing on the motor hub when the fan rotates. • Check all mounting and fan hardware. If loose, tighten.
<p>Try these troubleshooting steps before contacting Customer Service. For additional operation, maintenance, and troubleshooting information, please contact us directly.</p>	

Try these troubleshooting steps before contacting Customer Service.

13. Care and cleaning

Warm Reminding:

Disconnect power to the fan location before clean the fan.

1. Check the support connections, brackets, and blade attachments twice a year. Make sure they are secure. Because of the fan's natural movement, some connections may become loose over time. It is not necessary to remove the fan from the ceiling.
2. Clean your fan periodically. Use only a soft brush or lint-free cloth to avoid scratching the finish. The plating is sealed with a lacquer to minimize discoloration or tarnishing.
3. (Optional) Apply a light coat of furniture polish to the wood blades.
4. (Optional) Cover small scratches with a light application of shoe polish.

Do not:

1. Use water when cleaning. Water could damage the motor, or the wood, or possibly cause an electrical shock.
2. Apply oil to your fan or motor. The motor has permanently-lubricated sealed ball bearings.