



Product Features:

- 360° Swivel Spout
- Dual Spray Control (Stream/Spray)
- Drip Free Ceramic Disc Cartridge for Smooth and Long Lasting Operation
- Contemporary Design
- 3-Year Manufacturer Warranty

Contemporary Flexible Kitchen Faucet

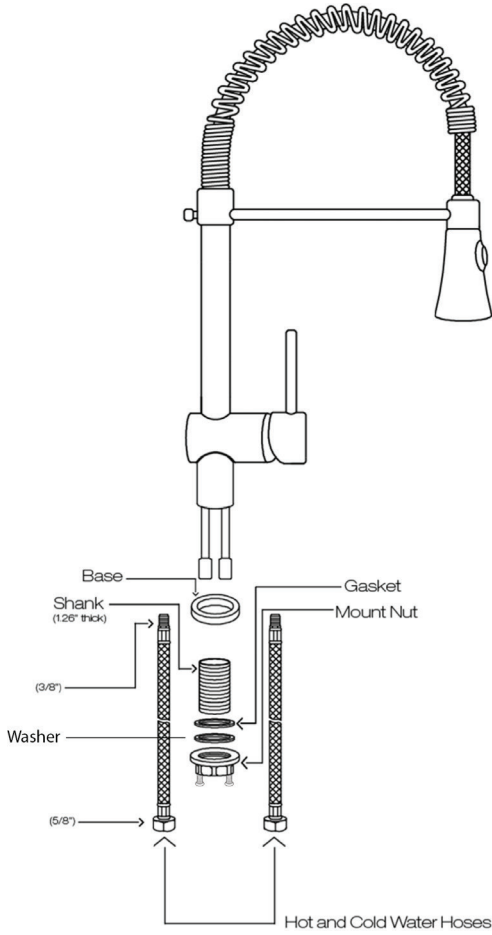
Models: (SP001-A7) Loch Ness, (SP001-A10BN) Superior



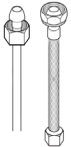
For easy installation of your Dyconn Faucet please do the following:

- Thoroughly **read all** instructions before installing the enclosed faucet.
- **Read and understand** all warnings, care and maintenance information.

Faucet Parts & Accessories



You may need the following tools/materials



Valve Hoses
(included)



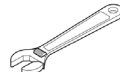
Pliers



Screw Driver



Silicone



Wrench



Plumbers Tape

Product Dimensions

Product dimensions for model: (SP001-A10BN) Superior - 22" Contemporary Brushed Nickel Swivel Kitchen Faucet.

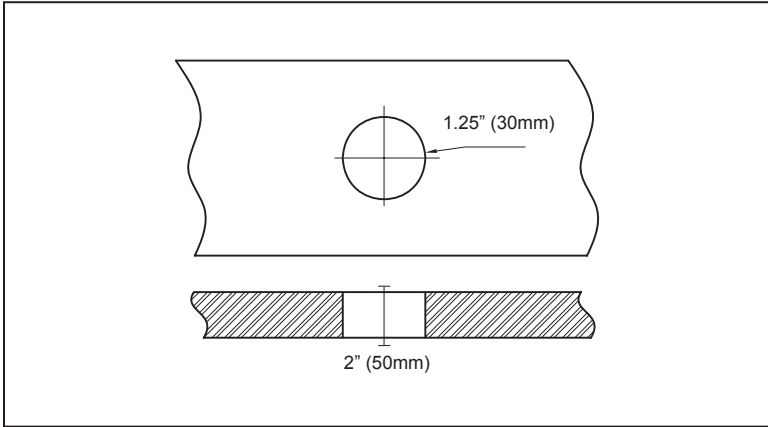


Product dimensions for model: (SP001-A7) Loch Ness - 21" Contemporary Polished Chrome Swivel Kitchen Faucet.



Installation Instructions

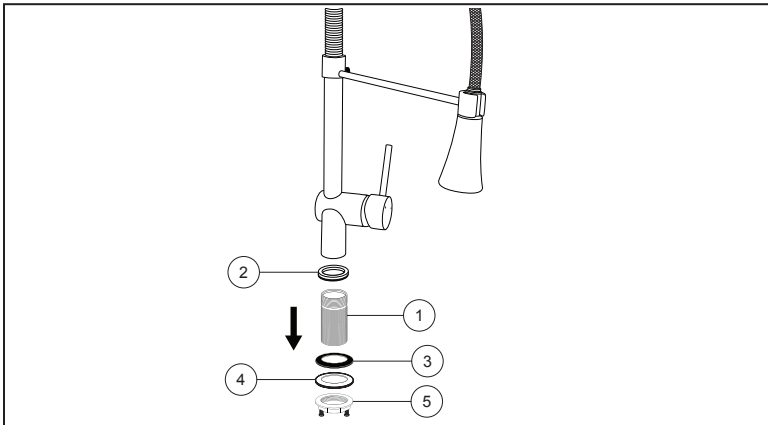
Diagram 1



Note: Your faucet is designed for a hole with a diameter of 1 1/4" (30mm) and a deck thickness of up to 2" (50mm).

Please shut off water valves before conducting faucet assembly.

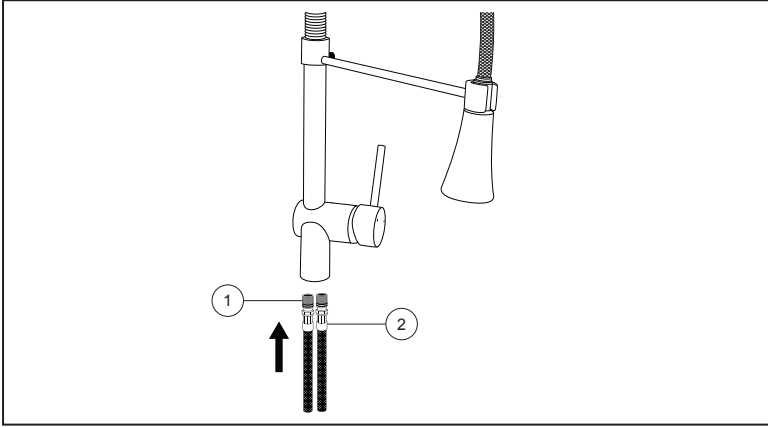
Diagram 2



Step 1: Unscrew the shank (1) from the faucet (if it is connected) and place it to the side, along with the base (2), gasket (3), washer (4) and mounting nut (5).

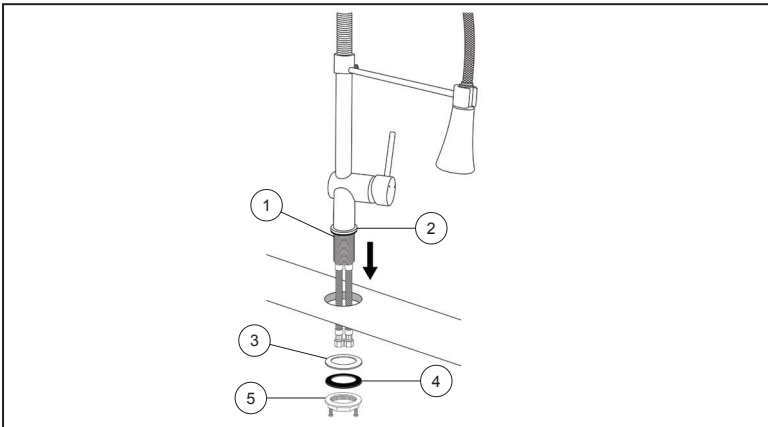
Installation Instructions

Diagram 3



Step 2: Attach both water hoses to the faucet by screwing them into the two internal ports located inside the base of the faucet. The red/blue indicator on the side of the handle illustrates the hot water hose (red) is attached to the left port while the cold water hose (blue) is attached to the right port.

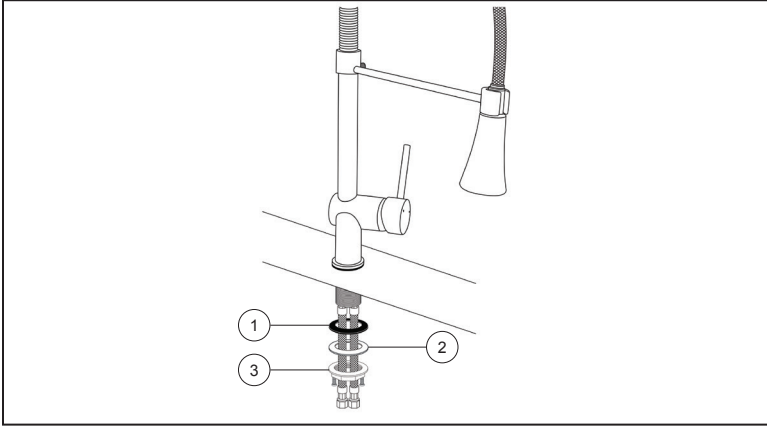
Diagram 4



Step 3: Re-install the shank (1) and base (2) and proceed to install the faucet and hoses through the deck mounting hole. Attach the gasket (3), washer (4) and mounting nut (5) onto the shank. Be sure the large side of the mounting nut is facing up, with the screws facing upward.

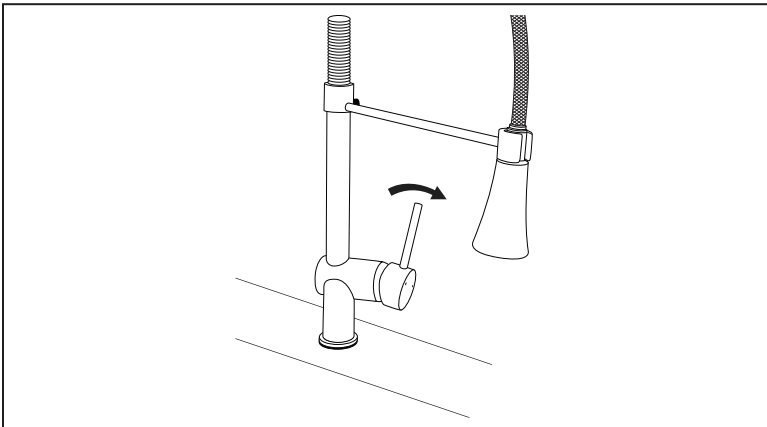
Installation Instructions

Diagram 5



Step 4: Install the rubber gasket (1) and washer (2). Screw the mounting nut (3) onto the faucet shank. Secure the mounting nut and faucet into place by tightening the mounting nut screws.

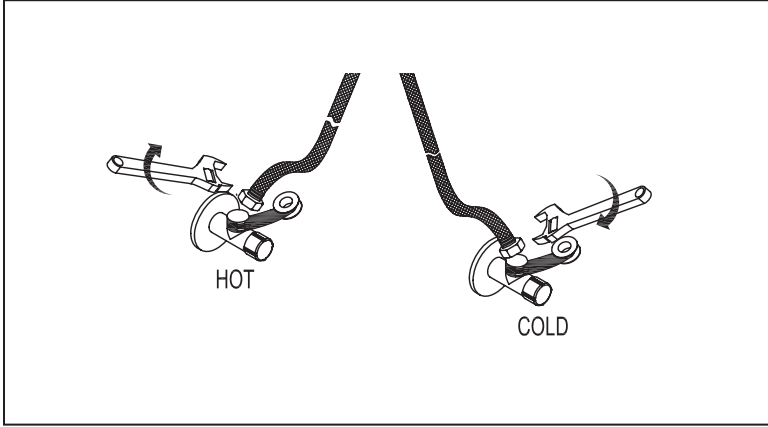
Diagram 6



Step 5: During faucet installation, filings, chips, and other debris can fall into the plumbing pipes. This debris can damage the internal faucet surfaces which can cause leakage. Before turning on the water valves, make sure the faucet handle is in the open (On) position in order to thoroughly flush out debris.

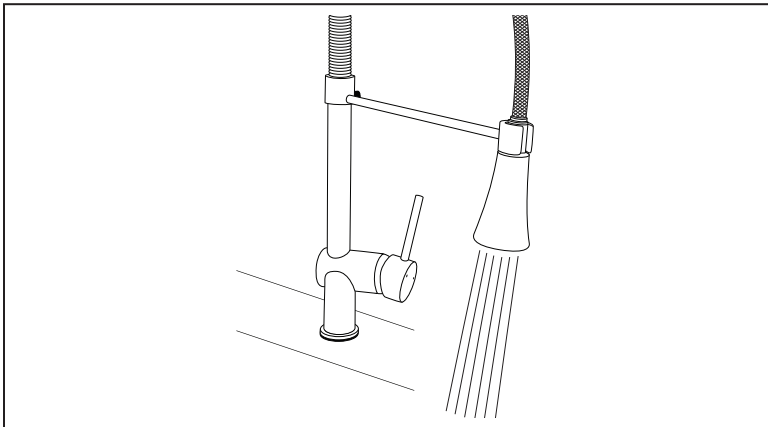
Installation Instructions

Diagram 7



Step 6: Connect both water hoses onto the respective water valves (we recommend using plumbers tape to prevent leakage). Turn on the water valves.

Diagram 8



Step 7: After the water valves are turned on, let water filter through the faucet for 30 seconds. Evaluate all connections for leakage. After this process is complete, you may proceed to use your new faucet.

Manufacturer Limited Warranty

All Dyconn Faucet products are manufactured and tested with the highest quality standards and rigorous quality control process. This warranty is limited to the non-commercial use of Dyconn Faucet products purchased and installed in the United States and Canada.

Dyconn Faucet Brand Limited Warranty on Faucets and Kitchen/Bath Accessories

Dyconn Faucet warrants its faucet products to be free from manufacturing defects in material and workmanship during the normal non-commercial use for a period of three (3) years from the initial purchase date by the original owner/end-user for personal household use. Dyconn Faucet also warrants its part and accessory products to be free from manufacturing defects in material and workmanship during the normal non-commercial use for a period of one (1) year from the initial purchase date by the original owner/end-user for personal household use. This warranty is non-transferable between homes or owners and only applicable for residential use. Any commercial or industrial use of Dyconn Faucet products automatically voids the warranty. Any warranty claim must include the original sales receipt as proof of purchase from an Authorized Dealer or Distributor of Dyconn Faucet products. (Authorized Dealers can be found on the Dyconn Faucet website).

Dyconn Faucet recommends installation of all Dyconn Faucet products by a licensed professional plumber. Dyconn Faucet will not be responsible for any damage or product failure due to improper installation, misuse or the failure to adequately utilize a licensed professional. Proper care and maintenance for all products is standard, like any other household appliance and fixtures to ensure proper function and a lasting product. Instructions are provided in your manual on proper care and maintenance of Dyconn Faucet products.

This warranty will not cover any damages that might be caused by the product. (In some instances States do not allow for such limitations, so this may not apply to all owners).

Any product reported to Dyconn Faucet as defective will be repaired or replaced (with a product of equal value) at the option of Dyconn Faucet. If Dyconn Faucet is not able to replace or repair the product, Dyconn Faucet may elect to refund the original purchase price to the original purchaser in exchange for the return of product. Dyconn Faucet has the full rights to inspect any Dyconn Faucet product reported as defective prior to repair or replacement. Any repair and replacement costs EXCLUDE shipping, labor for removal or re-installation and any consequential or special damages associated with return, replacement and installation of your product. Replacement parts may be obtained by calling 1-855-239-2666 (in the U.S. and Canada), by emailing us at info@dyconnfaucet.com or writing to:

Dyconn Faucet
382 N. Lemon Avenue #122
Walnut, CA 91789

Dyconn Faucet reserves the rights to modify the warranty at any time, it being understood that any such modifications will not supersede warranty conditions that are applicable at the time of the original sale of products in question.

Though Dyconn Faucet products are certified by various agencies, Dyconn Faucet makes no implication that products comply with any or all local building or plumbing codes. It is the consumer's responsibility to determine any code compliances when installing and using Dyconn Faucet products.

Limitations of Warranty:

The warranty shall be not apply and be void for incorrect operating procedures, breakages and/or damages caused by fault through improper installation, carelessness, abuse, misuse, misapplication, improper maintenance and alteration of product; damages caused by chemicals, natural corrosion, accident, fire, flood, an act of God, or any casualty. Avoid abrasive cleaners, materials, steel wools and harsh chemicals as these will scratch, damage, and/or dull the products and/or finish of the products and void the warranty. The proper installation of product covered is the responsibility of the original owner/purchaser of the product. Dyconn Faucet neither installs nor supervises the installation nor hires contractors for this purpose; consequently Dyconn Faucet cannot be held responsible for any default breakage, or damages caused thereby or resulting thereof, either directly or indirectly.

This warranty does not apply to Products that have not been installed or operated in accordance with instructions supplied by Dyconn Faucet and all applicable rules, regulations, and legislation pertaining to such installations.

This warranty does not apply to Commercial or Industrial applications of Dyconn Faucet products.

Dyconn Faucet is not responsible or liable for personal injuries or deaths to any person for any direct, special, incidental, or consequential damage, loss of time, loss of profits, inconvenience, incidental expenses, labor or material charges, or any other cost resulting from the use of the product or equipment or pertaining to the application of the present warranty, or resulting from the removal or replacement of any product or element or part covered by this warranty.

In any case, Dyconn Faucet is not liable for any amount over and above the purchase price paid for the Product by the original owner/end-user.

Cleaning and Care

Care should be exercised when cleaning this product. Although its finish is extremely durable, it can be damaged by harsh abrasives and cleaning pads. To clean, use a light, non-abrasive cleaning solution or cleaning polish.