



Version 2019-1

**OWNER'S MANUAL for Awntech's retractable awning  
Full Cassette Model®  
Manual and Motorized Awning**



FOR TECHNICAL SUPPORT CALL US AT 800-200-5997,  
EMAIL AT [CUSTOMERS@awntech.com](mailto:CUSTOMERS@awntech.com) or visit us at [www.awntech.com](http://www.awntech.com)

# Table of Contents

PAGE	SECTION
3	Time required installing the awning
4	Types of brackets
5	Installation instructions for various surfaces
12	Installing the awning on the brackets
12	Adjusting the pitch
13	Remote control
14	Limit control adjustments
16	Replacing the valance
17	Replacing the arms
18	Cleaning and Caring
18	Warranty
20	Returns & Damages
20	Risks & warnings
20	Technical Specifications

Do not leave the awning extended during extreme weather conditions such as wind, rain, snow and ice. Extreme weather conditions may cause the arms to break and can cause personal or property damage. Awntech does not take any responsibility for weather related damages and or improper use or handling.

Congratulations and thank you for purchasing your Beauty-Mark Retractable Awning by Awntech. We at Awntech, wish you, your family and friends many enjoyable gatherings beneath it. As you can see, the awning is fully assembled, so all you have to do is install the brackets, slide the awning into the brackets, secure the awning in the brackets make some adjustments...and enjoy!

## BEFORE YOU START:

Please read instructions completely prior to attempting installation. Damages to the awning during installation are not covered by the warranty. After reading, if you feel that you still need additional installation assistance, please contact a local contractor for professional installation.

TIME REQUIRED FOR INSTALLATION: 1-2 hours

NUMBER OF INSTALLERS REQUIRED: 2-3 depending on size

## Installation Notes regarding undesirable drop of the awning when extended

Wall construction may not be perpendicular to the ground. Use a level to check. The weight of the awning, especially when extended, will cause unforeseen force/drag/depression on certain wall materials and affect the drop/drag of the awning when extended. It is important to make adjustments at the time of bracket installation if you desire zero drop/drag of the front bar when the awning is extended. The following list of wall materials and steps necessary to correct drop/drag are provided:

- 1. Wood:** The awning weight will force the wood to bow/twist. Place enough (2-4) large washers between wall and bottom holes of the brackets to change the angle of the brackets in order to compensate for unwanted drop/drag of front bar when awning is extended.
- 2. Siding:** The awning weight will force siding material to compress/warp/twist as there is a gap between siding and structural supports in the wall. Place enough washers (2-4) between siding and bottom holes of the brackets to compensate for unwanted drop/drag of front bar when awning is extended.
- 3. Brick:** Bricks may be uneven. Place a board or flat surface across installation plane to determine whether brackets will be level. Place enough washers (2-4) between siding and bottom holes of the brackets to compensate for unwanted drop/drag of front bar when awning is extended.

## INCLUDED PARTS LIST:

Beauty-Mark Retractable Awning (arrives completely assembled with fabric canopy)  
2-6 Wall Mounting Brackets & Hardware – Depending on Size (see chart below)  
Rocker Arm or Crank Handle  
Remote Control (if motorized unit was purchased)  
Owner's Manual

- NO MOUNTING HARDWARE IS PROVIDED. DUE TO VARIOUS WALL TYPES WE DO NOT PROVIDE THE HARDWARE TO MOUNT THE WALL BRACKETS TO MOUNTING SURFACE.

Awnings Sizes and Brackets Quantity					
Width	Projection	Brackets	Width	Projection	Brackets
8'	7'	2	16'	10'	4
10'	8'	2	18'	10'	5
12'	10'	3	20'	10'	5
14'	10'	3	24'	10'	6

Projection measured from the wall to the front bar. Optional projection available for additional cost.

**REQUIRED ITEMS FOR INSTALLATION:**

- Drill
- Full wood/metal and masonry bit set (3/8 shank-1/2 bit for masonry applications)
- 2-3 16’ extension ladders
- Stud Finder
- Full ratchet and socket set
- Screwdriver set
- String level
- Tape Measure
- Chalk line
- An assistant (two, if awning is more than 12’ long)

**SEE THE FOLLOWING APPLICATIONS FOR SPECIFIC SIZE OF TOOLS AND HARDWARE REQUIREMENTS**

**NOTE:** There are many different building surfaces to mount your Beauty-Mark Retractable Awning. AWNTECH provides the most common of WALL MOUNTING BRACKETS in its standard packing. There are so many building surfaces; Awntech does not provide mounting bolts and hardware. Read carefully to determine whether you need another type of bracket and read the follow sheet to determine the types and sizes of screws, bolts, anchors, lumber and tubing you may need to purchase for your specific needs.

**TYPES OF MOUNTING BRACKETS**

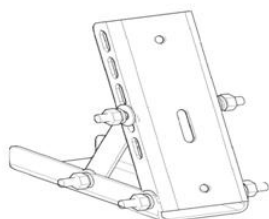
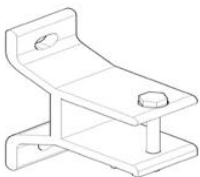
**Wall Mounting Brackets:**These are the most commonly used brackets. They are included with all awnings. This bracket is designed for any flat exterior wall mounting surface with a horizontal band at least 10” tall, at least 8’-0” from the eave to the surface of the patio. It can also be mounted on a fascia (with Guttering removed) Higher than 7’-0” and lower than 9’-6” from the patio to the bottom of the fascia.

<i>Wall Bracket Measurements:</i>		<i>Roof Bracket Measurements:</i>	
<i>Height</i>	5.5	<i>Height</i>	9
<i>Width</i>	2.25	<i>Width</i>	3
<i>Depth</i>	3	<i>Depth</i>	9
<i>Between the Holes</i>	3.75	<i>Between the Holes (top)</i>	2 3/8” 2 3/8”-1 1/4”
		<i>(Front to Back)</i>	

**Roof Mounting Brackets (optional):**This bracket is designed for any application where the wall mounting and eve mounting brackets conditions are either not met or acceptable and a roof mounting application is desired. It is not designed for composition roofs on wafer board or plywood decking. (At this time, we have no solution for clay tile, slate, or cedar shake applications over lath.) **NOTE: WE HIGHLY RECOMMEND THE PURCHASE OF A MOTOR FOR THIS APPLICATION.** Awntech highly recommends that a professional roofing contractor to do the installation. It may be purchased by calling Awntech at 800-203-7049 or sending an email to [sales@awntech.com](mailto:sales@awntech.com)

**Wall Bracket**

**Roof Bracket (optional)**



## INSTALLING BRACKETS

PLACEMENT OF THE BRACKETS IN THE OPTIMUM LOCATION WILL GREATLY AFFECT YOUR LONG TERM HAPPINESS WITH YOUR AWNING. BELOW YOU WILL FIND A PLACEMENT GUIDE.

### DETERMINING BRACKET PLACEMENT

**Please refer to the following drawings on page 6-8 to determine your particular mounting brackets needs.**

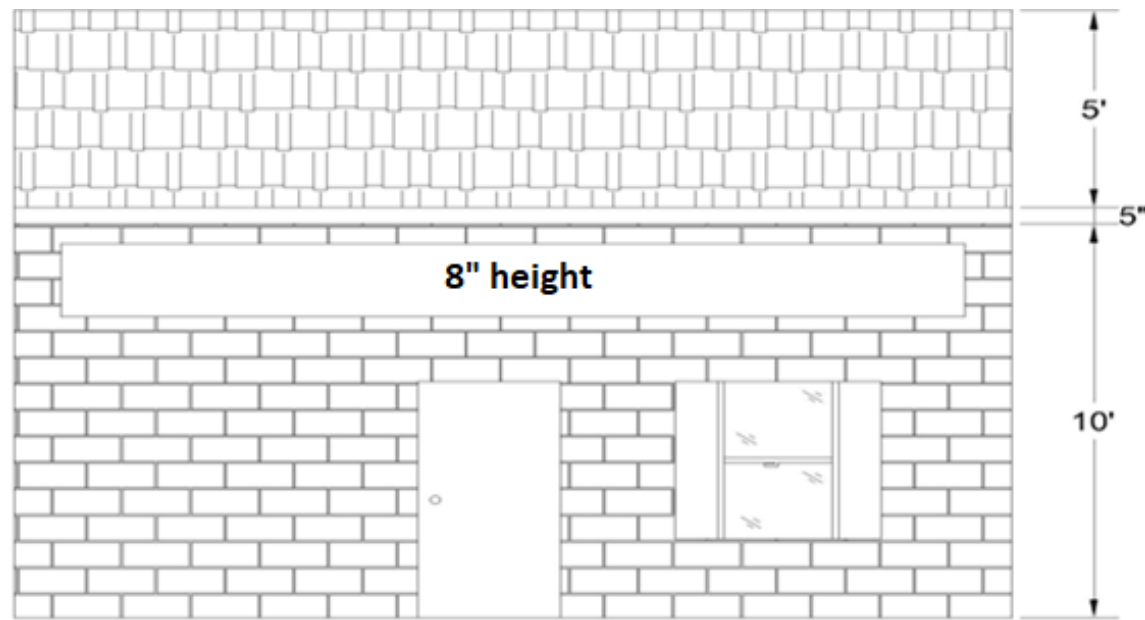
- If A most closely reflect your application, this requires wall brackets which are included with your awning.
- If B most closely reflects your desired application you will need wall brackets for both applications (which come with your awning, however, if you choose a roof mounted application you must purchase one roof bracket per wall bracket required).

You must center and secure your brackets into the center of studs or rafters. These are hidden from view behind your wall surfaces or roof surface. A stud finder is a tool that finds nails with an internal magnet. Nails are a indicator of where studs and rafters are, but not a guarantee. It is extremely important that you test your conclusions. Nails will be found in vertical lines. Fully install a bolt in the location where you have concluded your stud or rafter is located; if at any time it becomes easy to turn the ratchet, you ARE NOT in the stud or rafter. For guide purposes only; most studs are rafters are 12", 16", or 24" apart.

Mark all the locations of the studs or rafters in the area where you have decided to install your awning.

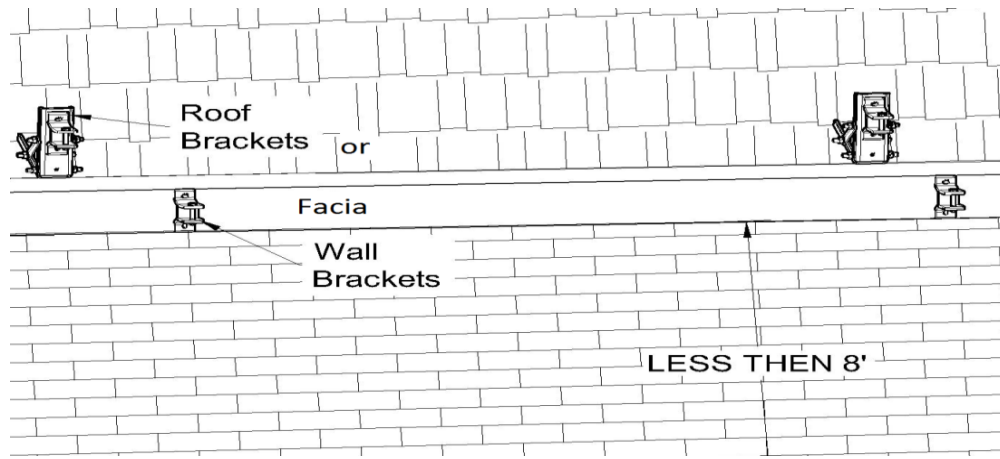
It is recommended that there should be one bracket each next to the lateral arms. Choose the appropriate studs or rafters to install your brackets onto. Hint: short studs above windows and doors are structural and may be used to secure bracket as well as full length studs. (See the picture in the Below.)

(A)



\*Typical Height and Material, Varies from Structure to Structure

(B)

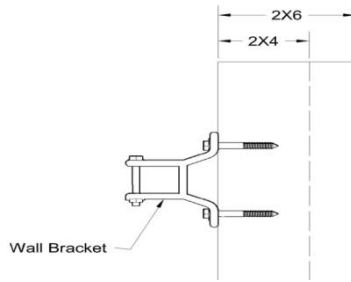


\*Typical Height and Material, Varies from Structure to Structure

THE FOLLOWING PAGES ARE INSTRUCTION FOR THE MOST COMMON INSTALLATION APLICATIONIOINS

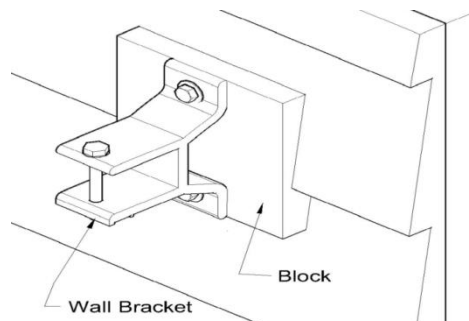
## APPLICATION A – INSTALLING WALL MOUNTING BRACKETS TO FLAT SIDING, STUCCO, CEMENT OR CULTURED STONE (OF ANY TYPE):

- Place a ladder safely on a flat, dry, stable surface at both ends of where the awning will be installed.
- Using a Chalk-line and string level (or a laser level) mark a horizontal line at your chosen height above the patio.
- Using a stud finder, Mark the center of all the studs along the line where the awning will be installed. Failure to center bolts in structural studs will cause premature failure and result in awning collapse and possible injury.
- Mark both ends of where the awning will be installed on that line.
- There should be one bracket within one feet of each end and or close to the lateral arm and then distribute the rest of the bracket(s) evenly spaced across the awning torsion bar. Choose and mark the best studs to install the brackets on given those requirements.
- Cultured stone surfaces may require a grinder to flatten off the area where the brackets are to be installed.
- Using the bracket as a template (the top of the bracket has a ridge on it), mark the holes. Place the bottom of the bracket on the chalk line. BRACKETS WILL BE THE LOWEST POINT OF THE AWNING.
- For Stucco or cultured stone: Use a 5/16" masonry bit to get through the surface. Drill a pilot hole into the stud beyond it with a 3/16" wood/metal bit. Using a ratchet, install (2) 5/16"x3" lag screw and (2) 5/16" washer to secure the bracket to the wall.
- For Concrete surface: Use a 5/16" masonry bit to drill 3" deep holes into the surface. Insert (2) 5/16"x3" wedge anchors into the hole. Install a washer on each anchor. Place the bracket so the anchors come through the mounting holes. Install another washer and fully tighten the nuts.
- For flat siding: the easiest way is to mount a 1"x5"-6" treated/painted timber beam (the same length as your awning width) through the siding into the studs using (2) 5/16"x3" lag screws and (2) 5/16" washers. Then you mount the awning to the studs through the timber beam. Or mount a 2"x5"-6" treated/painted timber beam (the same length as your awning width) through the siding into the studs.
- Repeat the process for the remaining brackets.
- Seal around each bracket with a clear paint-able silicone caulking.



## APPLICATION B – INSTALL WALL MOUNTING BRACKETS TO ALUMINUM, VINYL, HARDBOARD OR LAP SIDING.

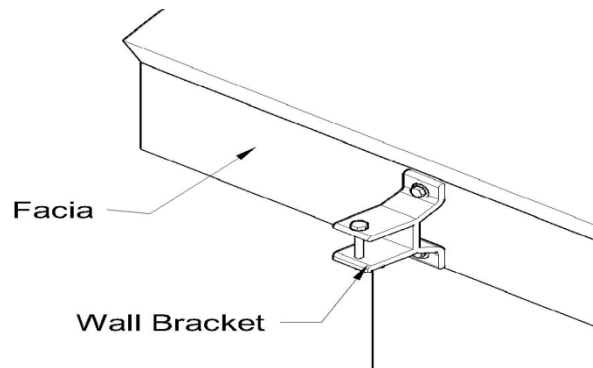
- Place a ladder safely on a flat, dry, stable surface at both ends of where the awning will be installed.
- Using a chalk-line and string level (or a laser level) mark a horizontal line at your chosen height above the patio.
- Using a stud finder, Mark the center of all the studs along the line where the awning will be installed. Failure to center bolts in structural studs will cause premature failure and result in awning collapse and possible injury.
- Mark both ends of where the awning will be installed on the line.
- There should be one bracket within one foot of each end or close to the lateral arms and then distributes the rest of the bracket(s) evenly spaced across the awning torsion bar. Choose and mark the best studs to install the brackets on given those requirements.
- Using the bracket as a template, mark the holes. Place the bottom of the bracket on the chalk line.
- For aluminum or vinyl: Mark a 5-1/2"X5-1/2" square (centered on the stud left to right and on the bracket vertically) where the bracket will be placed. Cut the siding with a sharp utility knife.
- For all other siding: Mark a 5-1/2"X5-1/2" square (centered on the stud left to right and on the bracket vertically) where the bracket will be placed. Cut eh siding with a circular saw set at the depth of the siding.
- Make the appropriate number of 5-1/2"X5-1/2" wood blocks made from a piece of 2X6 Lumber.
- Using the brackets as a template (the top of the bracket has a ridge on it) drill (2)5/16" holes in the blocks. Sand the corners and pain and blocks to match your exterior paint color.
- Drill a hole into the stud with a 3/16" wood/metal bit.
- Using a ratchet, install (2) 5/16"X4-1/2" lag screws (9/16" socket) and (2) 5/16" washers to secure the bracket to the stud behind the block.
- Seal around each block with clear paintable silicone caulking.
- Repeat the process for the remaining brackets.



## APPLICATION C – INSTALLING WALL MOUNTING BRACKETS TO FACIA

CAUTION: BEFORE INSTALLING BRACKETS ON FASCIA ALL GUTTERING MUST BE REMOVED. AWNING CAN NOT BE INSTALLED ON THE FACIA IF THE FACIA BOARD IS LESS THAN 5" HIGH. TOP OF THE AWNING WILL STAY ABOVE THE ROOF LINE SINCE THE MOUNTING BRACKETS ARE THE LOWEST POINT OF THE AWNING.

- ❑ Place a ladder safely on a flat, dry, stable surface at both ends of where the awning will be installed.
- ❑ Using a chalk-line and string level (or a laser level) mark a horizontal line, one inch above the bottom edge of the fascia.
- ❑ Using a stud finder, Mark the center of all the studs along the line where the awning will be installed. Failure to center bolts in structural studs will cause premature failure and result in awning collapse and possible injury.
- ❑ Mark both ends of where the awning will be installed on that line.
- ❑ There should be one bracket within one foot of each end or close to the lateral arms and then distributes the rest of the bracket(s) evenly spaced across the awning torsion bar. Choose and mark the best studs to install the brackets on given those requirements.
- ❑ Using the brackets as a template (The top for the bracket has a ridge on it), mark the holes. Place the bottom of the bracket on the chalk line.
- ❑ Drill a pilot hole into the rafter with a 3/16" wood/Metal bit. Using a ratchet, install (2) 5/16"X5" lag screws (9/16" Socket and (2) 5/16" washers to secure the bracket to the fascia.
- ❑ Repeat the process for the remaining brackets.



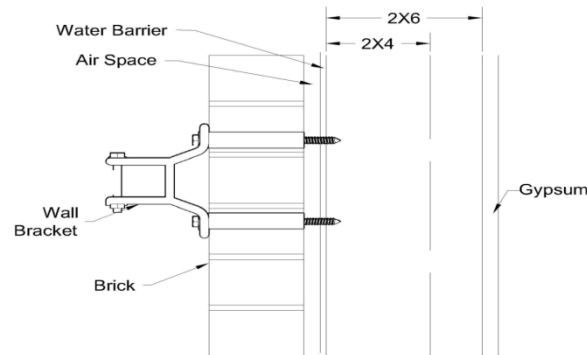
## APPLICATION D – INSTALLING WALL MOUNTING BRACKETS TO BRICK ON STONE

- ❑ Place a ladder safely on a flat, dry, stable surface at both ends of where the awning will be installed.
- ❑ Using a chalk-line and string level (or a lever level) mark a horizontal line, one inch above the bottom edge of the fascia.
- ❑ Using a chalk-line and string level (or a laser level) mark a horizontal line, one inch above the bottom edge of the fascia.
- ❑ Using a stud finder, Mark the center of all the studs along the line where the awning will be installed. Failure to center bolts in structural studs will cause premature failure and result in awning collapse and possible injury.
- ❑ There should be one bracket within one foot of each end or close to the lateral arms and then distributes the rest of the bracket(s) evenly spaced across the awning torsion bar. Choose and mark the best studs to install the brackets on given those requirements.
- ❑ For stone: it may be necessary to use a grinder to flatten the area where the brackets are to be placed.



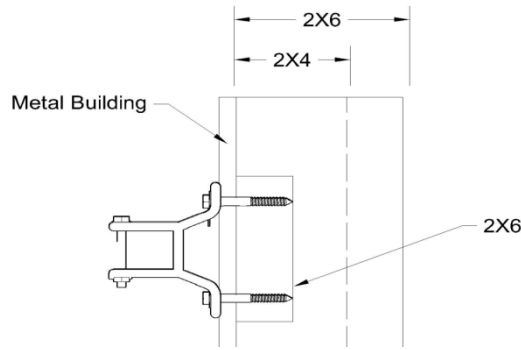
- Use the brackets as a template (the top of the bracket has a ridge on it), mark the hole. Place the bottom of the bracket on the chalk line.
- Use a 1/2" masonry bit to go through the brick or stone.
- Install (2) 1/2"x5-1/2" aluminum tubing into the holes (these can be purchased at your local home center as 3'-section of 1/2" aluminum tubing. Use a hack saw to cut it into 5-1/2" sections.) Using a ratchet, install (2) 3/8"x8" lag screws (1/2" socket) and (4) 3/8" washer (one washer on the front and back of the bracket, per screw) to secure the bracket to the wall.
- Repeat the process for the remaining brackets.

IF YOU KNOW THE BRICK AND THE MORTAR OF YOUR HOME/BUILDING IS STRONG AND CAN HANDLE THE LOAD OF THE AWNING WITHOUT INSTALLING THE BRACKETS TO THE STUDS THEN YOU MAY DO THE FOLLOWING (AWNTECH DOES NOT TAKE ANY RESPONSIBILITY FOR ANY DAMAGES TO THE PROPERTY AND ANY INJURIES TO THE PEOPLE IF THE AWNING IS PULLED OFF FROM THE WALL) For brick surfaces: use a 5/16" masonry bit to drill 3" deep holes into the surface. Insert two 5/16" x3" wedge anchors into the hole. Install a washer on each anchor. Place the bracket so the anchors come through the mounting holes. Install another washer and fully tighten the nuts.



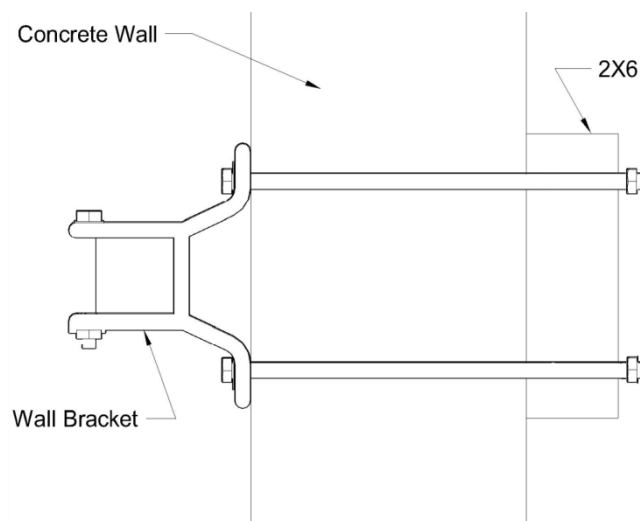
## APPLICATION E – Installing wall mounting brackets to metal buildings

- Place a ladder safely on a flat, dry, stable surface at both ends of where the awning will be installed.
- Using a chalk-line and string level (or a laser level) mark a horizontal line, with the exterior wall surface at least 6" from the wall.
- Mark both ends of where the awning will be installed on the line.
- Identify the location of the structural supports. Typically surface screws make them easy to locate.
- The structural supports are typically vertical, so you will need to mount a piece of 2X6 treated lumber (4" longer than the awning) onto the surface. The bottom corner of the lumber should be on the chalk-line. Mount it temporarily with 3" Self-Tapping sheet metal screws. Mount another 2X6 (same length) one on the inside of the metal, again with 3" self-tapping sheet metal screws.
- There should be one bracket within one feet of each end or close to the lateral arms and there should be one bracket within one feet of each end or close to the lateral arms and then distributes the rest of the bracket(s) evenly spaced across the awning torsion bar. Use the chalk-line to mark another line on the 2x6 lumber, 1" up from the bottom ends, using the bracket as a template, mark the holes, place the bottom of the bracket on the chalk line.
- Drill holes through the front board with a 5/16" wood/metal bit.
- Use a ratchet, install (2) 5/16"x5" lag screws (9/16" socket and (2) 5/16" washers to secure the bracket through the front board and into the back board.
- Repeat the process for the remaining brackets.
- Seal the top of the board where it meets the metal siding with clear paint-able silicone.



## APPLICATION F – INSTALLING WALL MOUNTING BRACKETS TO CONCRETE BLOCK WALLS:

- Place a ladder safely on a flat, dry, stable surface at both ends of where the awning will be installed.
- Using a chalk-line and string level (or a laser level) mark a horizontal line, with the exterior wall surface at least 6" from the wall.
- Mark both ends of where the awning will be installed on the line.
- You must have access to the back side of the block. (It cannot be a finished surface).
- Purchase on place of 2X6 lumber the length of your awning. You will also need (2)5/16"X24" all-thread, (4) 5/16" washer and (2)5/16" nuts for each bracket. You will need a drill a 12" long 5/16" masonry bit and a 5/16" wood bit.
- There should be one bracket within one feet of each end or close to the lateral arms and then distributes the rest of the bracket(s) evenly spaced across the awning torsion bar. Use the Chalk-line to mark another line on the 2x6 lumber, 1" up from the bottom edge. Using the bracket as a template, mark the holes. Place the bottom of the bracket on the chalk line.
- Drill holes with the masonry bit into the block in the marked location. Drill all the way through.
- Use the holes as a template to drill holes through the 2x6 that will be mounted on the back side. Insert the all-thread, install the washer and nuts and secure them with a ratchet.
- Repeat the process for the remaining brackets.

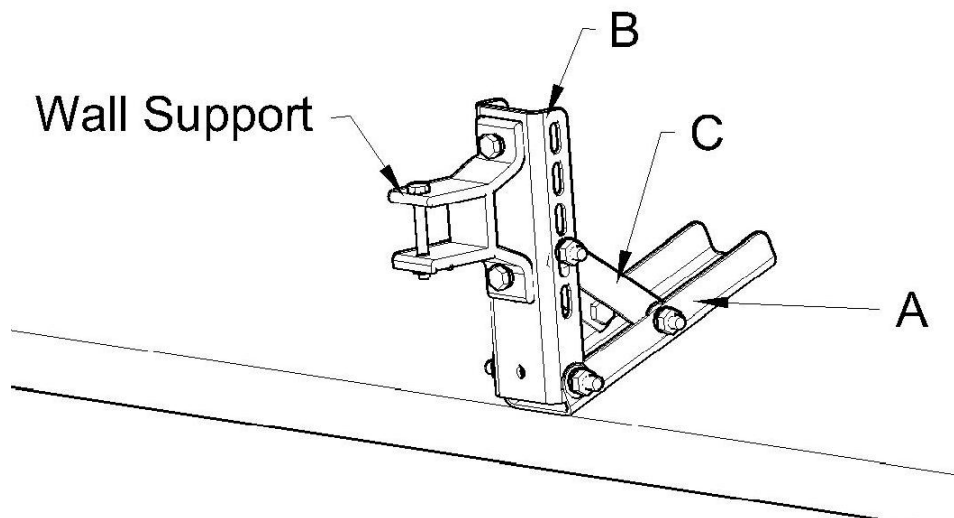


## APPLICATION G – INSTALLATION ROOF MOUNTING BRACKET TO ROOF:

(ROOF BRACKETS MUST BE PURCHASED SEPARATELY)

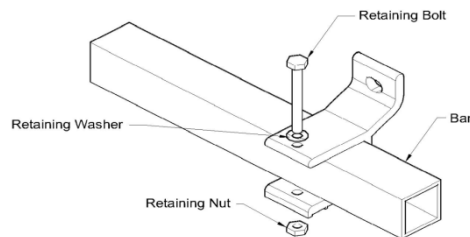
WE HIGHLY REQUIRE THAT YOU HIRE A PROFESSIONAL ROOFING CONTRACTOR TO INSTALL THE ROOF MOUNT BRACKETS AND AWNING. IMPROPER INSTALLATION CAN CAUSE INJURY TO THE INSTALLER AND DAMAGER THE PROPERTY.

- ❑ Place a ladder safely on a flat, dry, stable surface at both ends of where the awning will be installed.
- ❑ Using a stud finder, mark the center of all boards that the eaves are secured to along the line where the awning will be installed. Failure to center bolts in structural studs will cause premature failure and result in awning collapse and possible injury.
- ❑ Mark bother ends of where the awning will be installed on that line.
- ❑ There should be one bracket within one foot of each end or close to the lateral arms and then the rest of the bracket(s) evenly spaced across the awning torsion bar. Choose and mark the best rafters to install the brackets into given those requirements.
- ❑ Purchase one piece of galvanized flashing 12"W X 24" D and (3) 5/16" rubber washers per bracket. Using the bottom holes in the base bracket (A) as a template, mark and cut 5/16" holes along the centerline of the flashing, 6" from each side. Install the rubber washer between the bracket and the flashing.
- ❑ Using stiff putty knife pry the shingles apart 24" (about 24" wide) back from the edge of the roof.
- ❑ Slip the back of the flashing at least 8" under the shingles. Center the holes and rubber washers over the selected rafters.
- ❑ Install wall brackets securely on the face of brackets (B) ith the nuts, washer and bolts provided.
- ❑ Insert a 5/16" X 1" hex bolt into the bottom holes of brackets (A) and (B). Install lock washers and nuts loosely.
- ❑ Using a ratchet and 9/16" socket, install 5/16" X 1" hex bolts, lock washers and buts to secure the support arms (C) tot eh inside edges of bracket A.
- ❑ Using a level, install the support arm to bracket B through the holes that most closely set bracket B vertical.
- ❑ Tighten all nuts and bolts securely.
- ❑ Seal the shingles back together with quality roofing sealer.



## INSTALLING THE AWNING ONTO THE BRACKETS

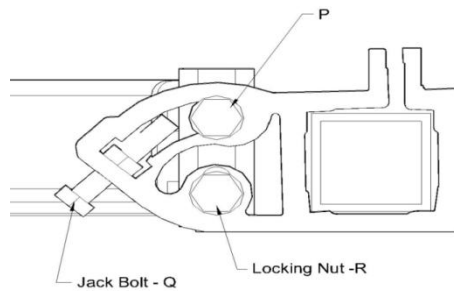
- Place a ladder safely on a flat, dry, stable surface at both ends of where the awning will be installed.
- Assure that the awning is in the closed position and the arms are tied closed. This will prevent the unit from inadvertently opening while being lifted into the brackets.
- With the help of an assistant (or two if your awning is more than 12' long), lift the awning to the brackets and slip the torsion bar (back bar) into the brackets. Make sure the torsion bar slides all the way to the back of the bracket. Then slide the retaining bolts into the brackets. Center the unit as needed then tighten the nuts on the remaining bolts.
- If the torsion bar does not easily slip into the brackets, Make sure all the brackets are horizontally aligned.
- Once fully secure, retighten the nuts on the brackets and carefully cut the sip ties off the arms.



## ADJUSTING THE PITCH OF THE AWNING

CAUTION: DO NOT ATTEMPT TO ADJUST THE PITCH IN THE RETRACTED POSITON.

- Extend the awning completely.
- First identify the pitch adjustment brackets (K) (see diagram below)
- Loosen the top bolt (P) and bottom bolt (R) (does not remove them, just allow them to be moved on the bracket at both ends. This operation requires a 20mm or 3/4 socket/wrench.
- Have your helper(s) hold the front end of the awning.
- Turn the bolt (Q) counter-clock-wise to lower the pitch and clockwise to raise the pitch on both ends.
- Once you adjust the pitch to your desired level, tighten up the top bolt (P) and bottom bolt (R)
- If the front bar is lower on one side, simply loosen (P) on the opposite side bracket and make the appropriate adjustment to (Q). After you are happy with the results retighten (P).
- The pitch adjustment range is 0 Degrees to 15 Degrees.
- In order to get zero degrees pitch you must make sure of the following:
  - Wall surface must be flat and at an exact 90 degree angle.
  - Make sure the brackets are flush against the wall.
  - If you still feel that you cannot get zero degree pitch then the brackets must be leaving forward slightly. You can put a washer or two between the mounting surface and lower hole of the bracket to raise the bracket so you can get a zero degree pitch.
- Pitch adjustment bracket



## REMOTE CONTROL MODEL – DC90 FOR AT45MR

The Awntech tubular motor operates at a maximum distance of 150 Feet.

### Technical Specification:

- |                    |                               |
|--------------------|-------------------------------|
| ▪ Power Supply     | ▪ 12V Battery                 |
| ▪ Protection index | ▪ IP30                        |
| ▪ Working temp.    | ▪ 23 degree F to 160 degree F |

Beauty-Mark® motorized awnings are programmed to extend and retract fully. This motor has manual over-ride option available. In case of power failure you can retract or extend the awning by using the rocker handle.

### Replacement:

To Change the batter, open the back panel of the remote control and replace the battery.

### Trouble Shooting:

- If the LED light on the remote control is off:
- Check the battery
- If the LED light is red on the remote control and the motor does not function:
- Check the power supply to the motor
- Check the cable connections
- The motor has an internal temperature control and shuts off the motor. Wait (20) twenty minutes and try to operate.

If you have any questions. Contact our technical support team at 800-203-7049 M-F (9-5 CST)

## Programming the remote control

### To program the Remote Control (transmitter)

- Turn off the power source of the awning
- Turn on the power source. Within six seconds, press the “Program” (P2) button twice (located in the battery compartment of the remote) then press the “UP” Button once.

### To change the direction

- Turn off the power source of the awning

- ❑ Turn on the power source. Within six seconds, press the “Program” (P2) button twice (located in the battery compartment of the remote) and then press the “UP” Button once. If the direction did not change then do the following:
- ❑ Turn off the power source of the awning
- ❑ Turn on the power source. Within six seconds, press the “Program” (P2) button twice (located in the battery compartment of the remote) then press the “DOWN” Button once.

**Add an additional Remote Control (transmitter)**

- ❑ Turn off the power source of the awning
- ❑ Turn on the power source. Press the “Program” (P2) button two times on the existing remote. Within six seconds, press the “Program” (P2) button once on the additional remote control, then press “UP” button once on the additional transmitter.

**HOW TO ADJUST LIMIT CONTROLS ON YOUR MOTOR.**

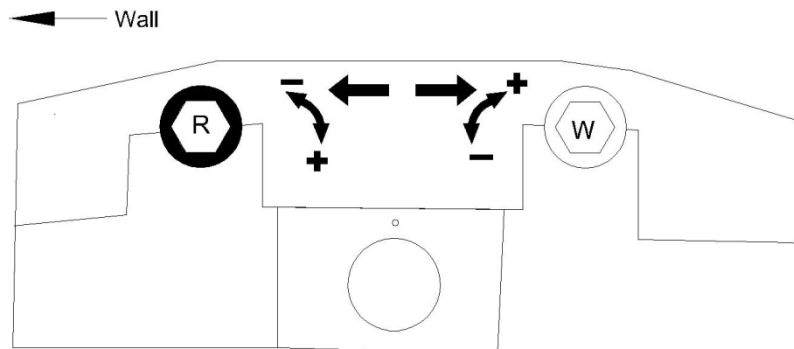
CAUTION: IMPROPER ADJUSTMENTS CAN CAUSE THE AWNING MOTOR TO BREAK.

MOTOR Model: AT45MRLimit Adjustment Control Operation

VERY IMPORTANT:  
YOU MUST ADJUST THE CONTROLS FROM THE BOTTOM OF THE MOTOR

The motor has internal temperature cutoff switch. If the motor gets to hot it will stop working, it will start working after 20 minutes or as soon as motor cools down. Do not worry, this motor has manual override option and you can always open or close the awning manually by using the crank handle.

This motor has a limit control switch to control the extension and retraction of your unit. The limit adjustments controls are in Red and White are located next to the electrical cord of the motor. In order to adjust the limit controls you would need to insert the tool looks like wand to turn the controls either “clock wise” or “counter clock wise”



LIMIT CONTROLS (WHEN YOU LOOK UP)

## LEFT MOTOR MOUNT (when you face the house):

If the awning stops from closing completely:

1. Identify the **Red Limit Control** (close to the wall)
2. If the awning stops from retracting completely, then turn the control "COUNTER CLOCK WISE" direction (one turn at a time) until it retracts completely.

If the motor continues to turn even after the awning completely retracted then do the following:

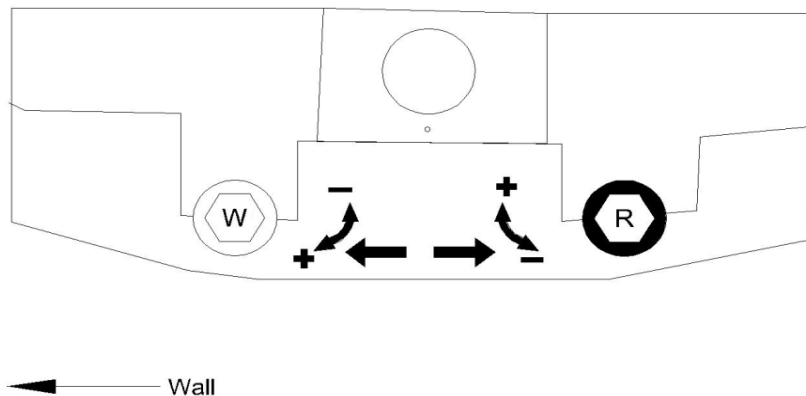
1. Identify the **Red Limit Control** (close to the wall)
2. Stop by pressing the stop button
3. Extend the awning about two feet and then
4. Then turn the control "CLOCK WISE" (three full turns) and then push the button to retract. If the awning still continue to retract more than repeat the steps until it is completely adjusted.

If the awning doesn't extend fully or to your desired extension then do the following:

1. Identify the **White Limit Control** (Away from the wall)
2. If the awning doesn't extend fully or to your desired extension, the turn the limit control "COUNTER CLOCK WISE" until it opens completely or it reaches till your desired extension.

If the awning continues to extend beyond your desired extension, then do the following:

1. Stop by pressing "STOP" button
2. Retract the awning by pressing "RETRACT" button for about two to three complete turns and press "STOP" to stop it from further retracting
3. Turn the **White Limit Control** "CLOCK WISE"
4. Press to extend, if it extends still too much then
5. **Repeat** the above steps until it reaches your desired extension



LIMIT CONTROLS (WHEN YOU LOOK UP)

## **RIGHT MOTOR MOUNT (when you face the house):**

If the awning stops from closing completely:

1. Identify the **White Limit Control** (away from the wall)
2. If the awning stops from retracting completely, then turn the limit control "CLOCK WISE" direction (one turn at a time) until it retracts completely.

If the motor continues to turn even after the awning completely retracted then do the following:

1. Identify the **White Limit Control** (away from the wall)
2. Stop by pressing the stop button
3. Extend the awning about two feet and then
4. Then turn the control "COUNTER CLOCK WISE" (three full turns) and then push the button to retract if the awning still continues to retract more than repeat the steps until it is completely adjusted.

If the awning doesn't extend fully or to your desired extension then do the following:

1. Identify the **Red Limit Control** (close to the wall)
2. If the awning doesn't extend fully or to your desired extension, then turn the red limit control "CLOCK WISE" until it opens completely or it reaches till your desired extension

If the awning continues to extend beyond your desired extension, then do the following:

1. Stop by pressing "STOP" button
2. Retract the awning by pressing "retract" button for about two to three complete turns and press "STOP" to stop it from further retracting
3. Turn the **RED Limit Control** "COUNTER CLOCK WISE"
4. Press to extend, if it extends still too much then
5. **Repeat** the above steps until it reaches your desired extension.

You can always use extend and retract manually by pressing the controls on your remote control.

## **REPLACING THE VALANCE**

- Remove the right and left front end caps
- Using the provided allen wrench, unloosen all the bullets at the ends of the fabric
- Remove the bullets from the C-channel
- Remove the valance by pulling on it from the right side
- Reinstall the new valance by sliding the top bead into the same slots in the front bar
- Reinstall both bullets and tighten the allen screws
- Reinstall the right and left front end caps

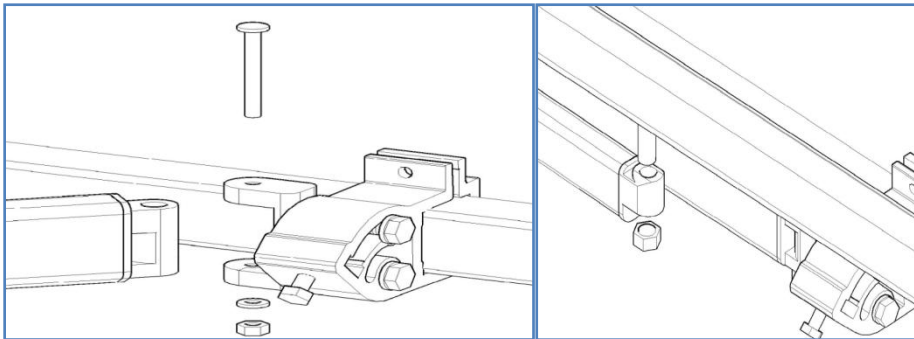


## REPLACING PROJECTION ARMS

CAUTION: DO NOT TRY TO REPAIR THE ARMS WITHOUT READING THE FOLLOWING THESE INSTRUCTIONS FIRST; FAILURE TO DO SO MAY CAUSE INJURY AND DAMAGES TO YOU AND YOUR PROPERTY AND THE AWNING.

Please observe CAUTION: HIGH TENSION PROJECTION ARMS labels when replacing the lateral arms of your awning. These arms are located with high tension springs and can cause severe personal injury and property damage if extreme caution is not used. Follow the step-by-step instructions to change the arms of your retractable awning:

- Close or retract the awning completely.
- Tie each of the arms closed (in folded/retracted position). They should not be tied to either the front or back bar.
- Once ALL arms are securely tied, you are ready to remove one arm. The arms are marked "left" or "Right" Determine left or right by facing the awning.
- First, remove the nuts and bolts that secure the arm to the front bar.
- Then, remove the nuts and bolts that secure the arm to the back bar.
- Remove the arms from the awning
- Install the replacement arm by attaching it to the back bar first and then the front bar. Do not tighten the bolts, adjustment will be needed.
- After you have replaced the arm, lift the hinge slide of the arm as high as it will go (this aligns the arms), Then tighten up all the nuts on the bolts (front and back bars) Connecting the arms to the awning frame. If you have more than one arm to replace, repeat sets for each arm.
- It is very important that all bolts are full tightened before removing the ties. Be careful not to damage the awning when removing the ties. If you have question please contact Technical Support at 800-203-7049



ALWAYS KEEP YOUR AWNING RETRACTED WHEN NOT IN USE, ALWAYS RETRACT YOUR AWNING DURING RAIN, ICE, SLEET, SNOW, HIGH WIND AND GUSTY CONDITIONS. FAILURE TO DO SO CAN DAMAGE YOUR AWNING. ANY DAMAGE RESULTING FROM FAILURE TO HEED THIS WARNING WILL NOT BE COVERED UNDER YOUR AWNTECH CONDITIONAL WARRANTY.

## **CLEANING & CARING**

### **NORMAL WEAR & TEAR:**

Certain regions of the country are extremely hard on awnings of any kind. If you live in these areas, (High maintenance areas: FL, TX, NM, AZ, NV or high altitude areas) you probably already know how the sun can take a toll. Normal wear and tear is not covered in our warranty and should be expected. Damages caused by improper anchoring, strong winds, snow or ice are not considered defects. We offer replacement fabric at affordable prices.

### **CLEANING & CARE:**

Awnings should be cleaned at least once a year in low maintenance areas or twice a year in high maintenance areas (see high maintenance areas above). Cleaning consist of brushing off debris with broom, brushing on a non-detergent cleaning compound (such as 1/2 Vinegar, 1/2 water), letting it sit for 20 minutes and rinsing Remember that your awning is an exterior product, You'll need to clean your awning to preserve and extend its beauty and life. Please refer to the cleaning and care chart below if you acquire a stain from one of the ingredients on the list.

### **CLEANING CHART FOR TYPICAL AWNING STAINS**

STAIN	RECOMMENDED CLEANING SOLUTIONS
CHARCOAL	Vacuum, then liquid detergent
CHEWING GUM	Acetone
SODA	Liquid detergent
CAR GREASE	Acetone
IRON RUST	Oxalic or citrus acids, water
MILDEW	1 cup of bleach and ¼ mild soap per gallon of water
OIL	Acetone
PAINT (LATEX) WET	Liquid detergent, water
PAINT (LATEX) DRIED	Paint, oil or grease remover
PAINT (OIL OR LACQUER)	Paint, oil or grease remover
SUNTAN LOTION	Pine Power® or pine oil detergent
TREE SAP	Turpentine, liquid detergent

## **WARRANTY**

5-Year Manufacturer's Limited Warranty

1-Year Manufacturer's Limited Warranty for all the electrical/electronic components including Motor and Transmitter

Obtaining necessary permits is the sole responsibility of the purchaser.

Purchaser/customer agrees he/she/company will NOT hold Awntech liable for improper installation, maintenance and repairs.

**A. MAUI AND DESTIN MODEL WARRANTY:** 5 Year Limited Manufacturer Warranty (Prorated)

**B. WHO GIVES THIS WARRANTY?** Awntech Corporation, 10950 S. Pipeline Road, Euless, TX 76040

**C. WHO IS ENTITLED TO THIS WARRANTY?**

This Warranty applies only to the original purchaser who paid for the product and may not be assigned or transferred to subsequent owners. This Warranty applies only to products purchased and installed in the United States.

**D. WHAT ARE THE RESPONSIBILITIES OF AWNTECH UNDER THIS WARRANTY?**

Subject to the terms and conditions set forth herein, Awntech Corporation will furnish replacements for parts found by Awntech Corporation to be defective in design, manufacture or assembly, under each specific component or product warranty as set forth below.

**E. WHAT ARE THE RESPONSIBILITIES OF THE ORIGINAL PURCHASER UNDER THE WARRANTY?**

- Before any claims may be made under this Warranty, the original purchaser must have paid in full for the product covered under the Warranty, according to the terms and conditions of the pay-plan defined in the original order. IF THE PURCHASER HAS FAILED TO MAKE FULL PAYMENT, THIS WARRANTY SHALL BE NULLIFIED AND AWNTECH CORPORATION SHALL BE RELIEVED FROM ANY RESPONSIBILITY OR LIABILITY UNDER THIS WARRANTY. The purchaser agrees and acknowledges that this Warranty agreement constitutes an executor contract.
- The purchaser must use care in installation, maintenance, operation, use, and storage of the product in accordance with the instructions contained in the owner's manual. ANY FAILURE TO INSTALL, MAINTAIN, OPERATE, USE AND STORE THE PRODUCT IN ACCORDANCE WITH THE INSTRUCTIONS CONTAINED IN THE OWNER'S MANUAL WILL NULLIFY THIS WARRANTY AND RELIEVE AWNTECH CORPORATION FROM ANY RESPONSIBILITY OR LIABILITY UNDER THIS WARRANTY.
- Promptly notify Awntech Corporation of any claims.
- The purchaser may be required to provide a photograph or videos of any defective parts. The purchaser may also be required to pay a deposit until the defective parts are returned to Awntech Corporation for inspection. The purchaser must obtain a return authorization form from Awntech Corporation's customer service department prior to the return of any merchandise and after having received such authorization, return the part or product, freight prepaid, to Awntech Corporation.

**F. WHAT IS COVERED UNDER THIS WARRANTY?**

The following components of Awntech Beauty-Mark® models and their accessories (defined as accessories attached to the awning) are covered under this Warranty, subject to the limitations set forth below. These components have a five (5) year limited (prorated) warranty, against manufacturer's defects as outlined below:

(a) Should the purchaser promptly notify Awntech Corporation of such defects within one year (12 months) from the date of the original purchase, the defective component will be replaced at no charge. Awntech reserves the right to ask for the defective part to be returned and/or photographs/videos of the defective part. (b) After one year but within five years (60 months) from the date of the original purchase, a defective component will be replaced upon the purchaser's payment of 1/60th of the full retail cost of the component for each month of use prior to the claim.

Structural supports - all supporting components are warranted not to fail for five (5) years provided that the components excluding Lateral Arms.

Acrylic fabric - warranted for five (5) years against:

- Excessive fading under normal conditions if maintained, operated, used, and stored in accordance with the instructions contained in the owner's manual.
- Mildew on acrylic fabric. Mildew will not form on the fabric itself, but may form on dirt and dust that have not been removed from it. Please see maintenance instructions for proper cleaning—outlined in owner's manual.

**G. WHAT IS NOT COVERED UNDER THIS WARRANTY?**

- Lateral Arms are not covered by this Warranty.
- 1-Year Manufacturer's Limited Warranty for all the electrical/electronic components including Motor and Transmitter
- The Awntech Manual & Motorized retractable awnings up to 24 feet long are designed for residential uses only, and not for commercial uses. The Awntech Retractable Awnings are also not designed to be used for carports. Any damage that results from the purchaser's use of the Awntech Maui awnings for commercial uses or for carports is not covered by this Warranty.
- Any failure or damage of the components that results from any intentional or negligent actions by the purchaser or by any other person is not covered by this Warranty. This includes leaving retractable awnings extended during harsh weather.
- It is the responsibility of the purchaser to securely fasten the awning to studs, joists, headers or other structural members. Any failure or damage that results from the awning falling from its installed position is not covered by this Warranty.
- Labor charges connected with installation of replacement parts are not covered by this Warranty.
- Freight expenses to and from Awntech Corporation are not covered by this Warranty and must be paid by the purchaser.
- Stretching of fabric or damage to any structural component caused by wind or water pooling on the fabric or any other weather is not covered by this Warranty, except for the limited warranty of the acrylic fabric as specifically set forth herein.
- Failure or damage to the lateral arms or their components are not covered by this Warranty (explanation in Owner's Manual).

**H. GENERAL PROVISIONS AND LIMITATIONS**

• The warranty granted herein is the exclusive remedy for the purchaser. Awntech Corporation makes no other warranties to the purchaser, express, statutory, implied or otherwise and all implied warranties, including without limitations, implied warranties of merchantability and fitness for a particular purpose, are hereby disclaimed.

• To the extent permitted by law, Awntech Corporation shall have no liability to the purchaser or any other person for incidental, special, consequential, indirect or similar damages of any kind or nature whatsoever, whether arising out of breach of warranty or other breach of contract, negligence or other tort, or otherwise, even if Awntech Corporation shall have been advised of the possibility or likelihood of such potential loss or damage. In no event shall Awntech Corporation be liable for loss of profits and/or wages.

• Some states do not allow limitations on how long an implied warranty lasts, or do not allow the exclusion or limitation of incidental or consequential damages, so the above limitations may not apply to you.

• This warranty gives you specific rights, and you may have other rights, which vary from state to state.

Awntech Corporation, 10950 S. Pipeline Rd., Bldg. 1, Euless, TX 76040 / Ph. 817-354-9600; Fax 817-354-9612 / [Warranty@awntech.com](mailto:Warranty@awntech.com)

## **RETURNS & DAMAGES**

**RETURN QUALIFICATION:** You can only refuse delivery if the awning arrives with visible damage. If you simply do not like the product or if you did not measure correctly, you will only be qualified for a merchandise credit and you will be required to pay for shipping the product back to Awntech in re-stockable condition. There will be a 25% restock fee applicable and original shipping charges are non-refundable.

**DAMAGED MATERIAL:** Damage occasionally occurs during shipping. Scrapes dents and rips in the outer packaging that could indicate possible damage should be described to the carrier at the time of delivery. If damage to the product seems apparent, the shipment should be refused.

**FABRIC DYE-LOT AND LIGHTING VARIATION:** Fabric dyes may carry slightly from run to run. This is a normal and unavoidable. Different lighting types and lighting direction may cause the fabric you choose on the website to appear slightly different than the actual fabric does in full sunlight.

**RETURNS/ORDER EXCEPTION CONTRACT:** Phone :817-354-9600, Fax 817-354-9612, E-mail [customers@awntech.com](mailto:customers@awntech.com) TO ACQUIRE A RETURN OR REPAIR AUTHORIZATION NUMBER YOU MIGHT GO THROUGH THE WARRANTY PROCESS: E-mail Photos of damaged parts to:

[customers@awntech.com](mailto:customers@awntech.com) or mail to: Awntech Corporation, 10950 S. Pipeline Rd., Bldg 1, Euless, TX 76040

Authorized returns should be shipped to: Returns Department: Awntech Corporation, 10950 S. Pipeline Rd., Bldg 1, Euless, TX 76040

## **RISKS & WARNINGS**

Please handle with care when you open the package and during assembly and installation. The frame parts are made of metal and parts may have sharp corners. Please keep children away during assembly and installation of awning.

Caution improper installation of mounting brackets can cause damage or personal injury. The bracket bolts must be secured to a stud. The brackets should be secured with lag screws as close to the center of the stud. When fully extended the weight of the awning exerts significant torque on the torsion bars. Failure to center bolts to studs will cause premature failure and result collapse and injury. Do not leave the awning extended during extreme weather conditions such as high winds, rain snow and ice. The extreme weather conditions may cause the arms to break and can cause injury or property damage. Awntech does not take responsibility for any weather related or improper handling of awning.

Never attempt to repair or disassemble the lateral extension arms. The arms support your awning are manufactured with structural grade stainless steel cables and high tension arm springs located inside the arms. Serious injury or property damage can occur if attempting to install without restraining. If you have any questions, please contact us at 800-203-7049.

## **DAMAGE DUE TO IMPROPER ANCHORING, STRONG WINDS, RAIN SNOW OR ICE**

Awntech® Corporation does not guarantee its retractable awnings against damages that is weather related (such as strong winds, rain, snow or ice) under any circumstances. These awnings are designed to protect the customer from the sun and UV rays. They are not designed to hold snow loads, ice loads, water pooling loads or loads from debris such as leave and falling branches.

Also, if your awning is not anchored securely, it will lift. If your awnings start to lift we are not responsible and will not send replacement parts. Securely anchoring is your responsibility. We do not provide anchors because there are many mounting types. You may find the correct anchor to purchase by review our installation instructions on starting on page 5.

When it comes to maintaining your awning, it is the best to be safe rather than sorry. This means that it is best to keep your awning retracted until you are ready to use it, and then retract it when you are finished. If you know that a strong weather front (rain or wind speeds of 30MPH+) is coming, retract the awning.

<i>Full Cassette</i>	Technical Specifications	
	MANUAL	MOTORIZED
<b><u>Frame Materials</u></b> <i>Steel Torsion Bar</i> <i>Lateral Arms</i> <i>Cables/Qty.</i> <i>Hardware</i> <i>Brackets</i>	Powder Coated Steel – 1.5” Multi Chamber Aluminum Stainless Steel/2 Per arm Stainless Steel Aluminum/Powder Coated	
<b><u>Canopy Materials</u></b> <i>Fabric Kind</i> <i>Fabric Weight</i> <i>Fabric Brands</i> <i>Fabric Choices</i> <i>UV and Fade Rating</i> <i>Water Column</i> <i>Permeability</i>	100% Solution dyed Acrylic 280 Grams/Meter <sup>2</sup> Beauty-Mark 65 5 Years 12” Water Repellent (Teflon)	
<b><u>Wind Speed Allowance</u></b>	30 mph	

<b>Running Time From Full Charge</b>	N/A	6 Minutes
<b>Motor Location</b>	N/A	Left (default) or Right
<b>Adjustable Pitch # of Pitch Settings Max. degrees</b>	Yes 0-15 Degree Depending on size	
<b>Weight</b>	80-200 LBS Depends on Size	95-205 LBS Depends on Size
<b>Motor Specifications</b>	MANUAL	MOTORIZED
<b>Voltage</b>	N/A	110 V
<b>Frequency</b>	N/A	60Hz
<b>Input Power</b>	N/A	275W
<b>Current Intensity</b>	N/A	2.5/1.2Amps
<b>Nominal Speed</b>	N/A	14 RPM
<b>Rated Torque</b>	N/A	40 nm
<b>Work Temperature</b>	N/A	-5f to 185f
<b>Remote Control</b>	MANUAL	MOTORIZED
<b>Voltage</b>	N/A	AC 110V
<b>Frequency</b>	N/A	60Hz
<b>Output Power</b>	N/A	315 Mhz
<b>Distance</b>	N/A	55 Yards or 164 Ft.
<b>Work Temperature</b>	N/A	-5f to 185f
<b>Installation</b>	MANUAL	MOTORIZED
<b>Installation Time</b>	1-3 hours	
<b>Installers Required</b>	1 for installing brackets 2 for lifting awning and place the awning in the brackets	
<b>Tools</b>	Electric drill, level, wrenches, Power socket near position of installation form motorized.	
<b>Clearance</b>	Minimum Clearance requirements	
<b>Height from Ground</b>	8'	
<b>Wall Bracket Area</b>	10.5" X Length of awning	