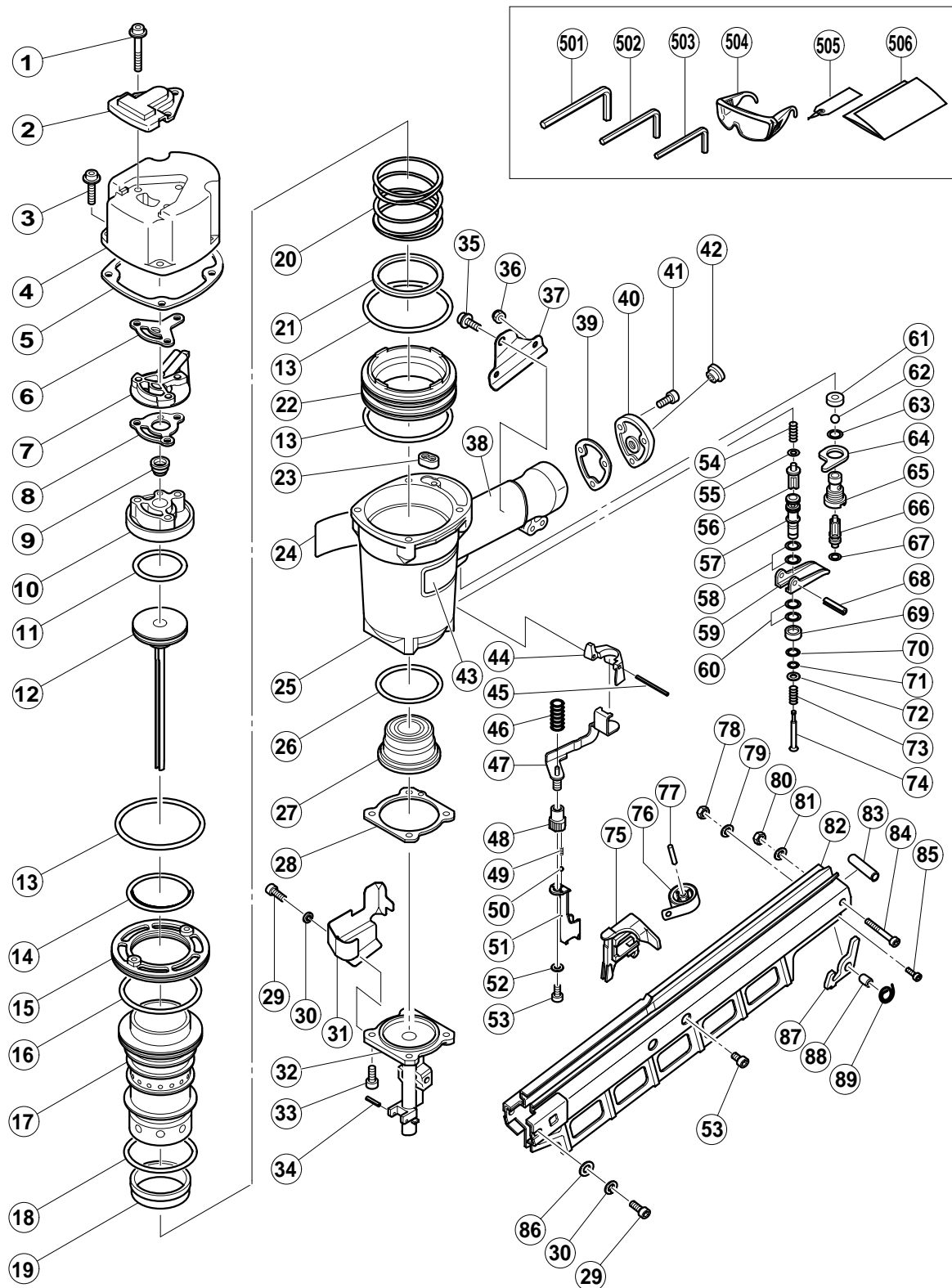


PNEUMATIC TOOL PARTS LIST

■ STRIP NAILER
Model NR 83A2

2003 • 5 • 10
(E1)



PARTS

NR 83A2

ITEM NO.	CODE NO.	DESCRIPTION	NO. USED	REMARKS
1	883-509	HEX. SOCKET HD. BOLT (W/FLANGE) M6X45	3	
2	877-330	TOP COVER	1	
3	883-507	HEX. SOCKET HD. BOLT (W/SP.WASHER) M6X25	4	
4	877-324	EXHAUST COVER	1	
5	877-325	GASKET (B)	1	
6	877-329	GASKET (F)	1	
7	877-328	EXHAUST PIECE	1	
8	877-854	GASKET (C)	1	
9	884-110	EXHAUST VALVE (ORANGE)	1	
10	877-307	HEAD CAP AND GASKET SET	1	INCLUD. 8
11	877-368	O-RING (1AP-48)	1	
12	877-323	PISTON	1	
13	877-316	O-RING (S-90)	3	
14	877-312	CYLINDER O-RING (I.D 63.1)	1	
15	877-318	CYLINDER PLATE	1	
16	877-313	CYLINDER O-RING (I.D 79.3)	1	
17	884-068	CYLINDER	1	
18	877-314	CYLINDER O-RING (I.D 69.3)	1	
19	877-317	CYLINDER RING	1	
20	877-321	CYLINDER SPRING	1	
21	877-322	BASE WASHER	1	
22	877-310	CYLINDER GUIDE	1	
23	877-327	GASKET (G)	1	
24	884-069	WARNING LABEL	1	
25	883-506	BODY ASS'Y	1	INCLUD. 38
26	877-315	CYLINDER O-RING (I.D 63.9)	1	
27	883-511	PISTON BUMPER (B)	1	
28	877-334	GASKET (A)	1	
29	878-426	HIGH TENSION BOLT M6X18	2	
30	949-455	SPRING WASHER M6 (10 PCS.)	2	
31	884-061	GUARD (A)	1	
32	884-060	NOSE	1	
33	883-492	NYLOCK HEX. SOCKET HD. BOLT M8X22	4	
34	949-518	ROLL PIN D3X18 (10 PCS.)	1	
35	883-505	NYLOCK BOLT (W/FLANGE) M8X16	1	
36	963-837	NYLON NUT M6	2	
37	884-066	HANDLE ARM (B)	1	
38		GRIP RUBBER	1	(SUPPLIED WITH ITEM NO. 602, 603)
39	877-331	GASKET (D)	1	
40	878-311	CAP	1	
41	949-658	HEX. SOCKET HD. BOLT M5X18 (10 PCS.)	3	
42	872-035	DUST CAP	1	
43		NAME PLATE	1	
44	884-119	GUARD (B)	1	
45	884-025	ROLL PIN D3X45	1	
46	884-067	SPRING	1	
47	884-063	PUSHING LEVER (B)	1	
48	884-064	ADJUSTER	1	
49	880-175	ADJUSTER SPRING	2	
50	959-148	STEEL BALL D3.175 (10 PCS.)	2	
51	884-062	PUSHING LEVER (A)	1	

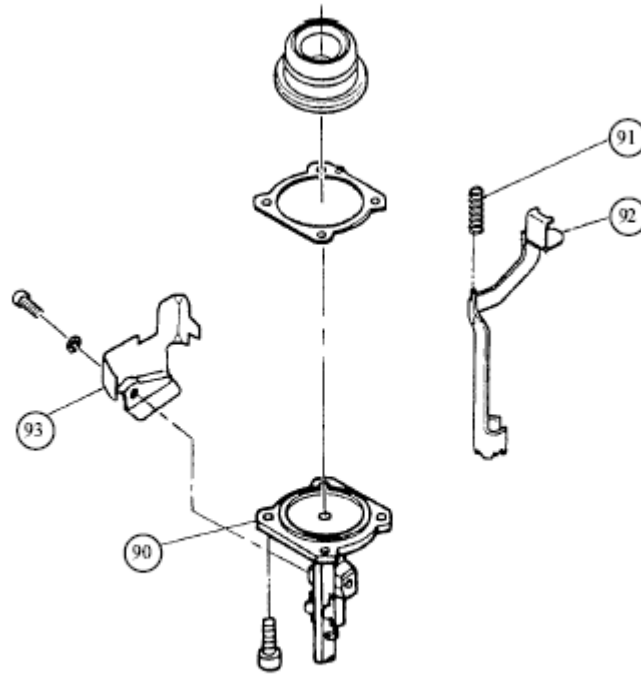
PARTS

NR 83A2

ITEM NO.	CODE NO.	DESCRIPTION	NO. USED	REMARKS	
52	880-081	WASHER	1		
53	949-657	HEX. SOCKET HD. BOLT M6X12 (10 PCS.)	3		
54	875-643	PLUNGER SPRING	1		
55	874-436	O-RING (P-4)	1		
56	884-113	PLUNGER (A)	1		
57	884-111	VALVE BUSHING	1		
58	884-112	O-RING (I.D 10.7)	2		
59	876-203	TRIGGER	1		
60	872-645	O-RING (P-9)	2		
61	878-734	VALVE PACKING	1		
62	875-645	URETHANE BALL (C) D7.14	1		
63	875-638	O-RING (S-12)	1		
64	875-644	VALVE PLATE	1		
65	877-335	TRIGGER VALVE BUSHING	1		
66	878-121	TRIGGER PLUNGER	1		
67	874-820	PLUNGER O-RING	1		
68	949-866	ROLL PIN D3X30 (10 PCS.)	1		
69	884-116	VALVE SLEEVE (A)	1		
70	876-316	O-RING (S-7)	1		
71	878-723	PLUNGER O-RING	1		
72	949-424	WASHER M5 (10 PCS.)	1		
73	884-115	PLUNGER (B) SPRING	1		
74	884-114	PLUNGER (B)	1		
75	877-393Z	NAIL FEEDER	1		
76	878-422	RIBBON SPRING	1		
77	878-418	NEEDLE ROLLER	1		
78	876-465	NYLON NUT M4	1		
79	949-453	SPRING WASHER M4 (10 PCS.)	1		
80	877-371	NYLON NUT M5	1		
81	949-454	SPRING WASHER M5 (10 PCS.)	1		
82	884-065	MAGAZINE	1		
83	876-550	SLEEVE	1		
84	949-824	HEX. SOCKET HD. BOLT M5X45 (10 PCS.)	1		
85	949-650	HEX. SOCKET HD. BOLT M4X15 (10 PCS.)	1		
86	877-402	WASHER	1		
87	877-396Z	STOP LEVER	1		
88	877-398	COLLAR	1		
89	877-397	STOPPER SPRING	1		

NR83A2(S) Parts

These are the parts that are different between NR83A2 & NR83A2(S)



FOR WITHOUT DEPTH ADJUSTMENT

NR83A2(S)

P2 Spec's			
Item #	Description	Code No.	used
90	Nose	884076	1
91	Spring(A)	884077	1
92	Pushing Lever	884074	1
93	Guard	884075	1