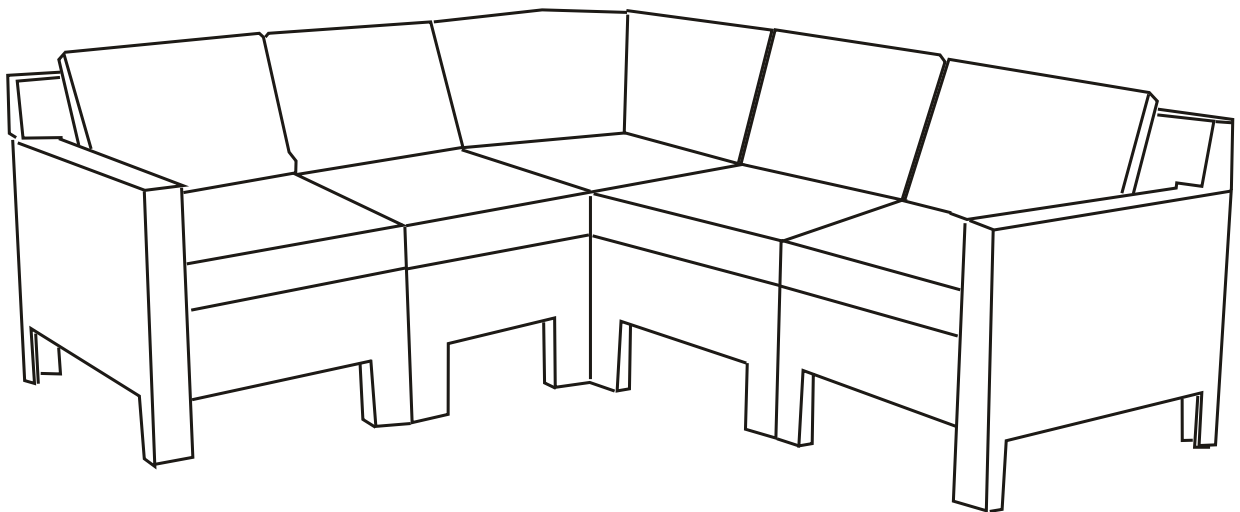


USE AND CARE GUIDE

LAGUNA POINT 5 PIECE BROWN ALL-WEATHER WICKER OUTDOOR SECTIONAL CHAIR SET WITH CUSHIONS



Questions, problems, missing parts? Before returning to the store,
call Hampton Bay Customer Service
8 a.m. - 7 p.m., EST, Monday – Friday, 9 a.m. – 6 p.m., EST, Saturday

1-855-HD-HAMPTON

HAMPTONBAY.COM

THANK YOU

We appreciate the trust and confidence you have placed in Hampton Bay through the purchase of this sectional. We strive to continually create quality products designed to enhance your home. Visit us online to see our full line of products available for your home improvement needs. Thank you for choosing Hampton Bay!

Table of Contents

Table of Contents	2	Pre-Installation	3
THD - TOC2	2	Planning Installation	3
Safety Information	2	Hardware Included	3
What is covered	3	Package Contents	4,6,8,10
What is not covered	3	Installation	5,7,9,11,12
Warranty	3	Care & Cleaning	13
		Service Parts	14

Important Safety Instructions

SAVE THESE INSTRUCTIONS

 **WARNING:** FUELS USED IN LIQUEFIED PROPANE GAS APPLIANCES, AND THE PRODUCTS OF COMBUSTION OF SUCH FUELS, CAN EXPOSE YOU TO CHEMICALS INCLUDING BENZENE, WHICH IS KNOWN TO THE STATE OF CALIFORNIA TO CAUSE CANCER AND CAUSE BIRTH DEFECTS OR OTHER REPRODUCTIVE HARM. For more information go to: www.P65Warnings.ca.gov.

 **WARNING:** FUELS USED IN WOOD OR CHARCOAL BURNING APPLIANCES, AND THE PRODUCTS OF COMBUSTION OF SUCH FUELS, CAN EXPOSE YOU TO CHEMICALS INCLUDING CARBON BLACK, WHICH IS KNOWN TO THE STATE OF CALIFORNIA TO CAUSE CANCER, AND CARBON MONOXIDE, WHICH IS KNOWN TO THE STATE OF CALIFORNIA TO CAUSE BIRTH DEFECTS OR OTHER REPRODUCTIVE HARM. For more information go to: www.P65Warnings.ca.gov.

READ ALL INSTRUCTIONS BEFORE USE

To reduce the risk of injury to persons:

1. Close supervision is necessary when this furnishing is used by or near children, or disabled persons, if applicable.
2. Use this furnishing only for its intended use as described in these instructions. Do not use attachments not recommended by the manufacturer.

SET UP YOUR FURNITURE PROPERLY

1. Ensure that all parts are assembled properly and fully tightened as per the instructions.
2. When placing in the desired location, ensure that all legs are resting on the same surface.


EXAMINE YOUR FURNITURE

Examine occasionally to ensure that there are no loose parts. If loose parts are found, they must be re-tightened fully before additional use.

OBERVE WEIGHT LIMITS

The weight limits for the following products are listed below:

- | | |
|--|---|
| <input type="checkbox"/> Chair: 300 lbs | <input type="checkbox"/> Sofa: 700 lbs |
| <input type="checkbox"/> Swivel Chair: 300 lbs | <input type="checkbox"/> Rocking Chair: 300 lbs |
| <input type="checkbox"/> Loveseat: 500 lbs | <input type="checkbox"/> Chaise Lounge: 300 lbs |
| <input type="checkbox"/> Ottoman: 150 lbs | <input type="checkbox"/> Dining Table: 100 lbs |
| <input type="checkbox"/> Table: 50 lbs | <input type="checkbox"/> Dining Chair: 200 lbs |

 **CAUTION:** If you overload your furniture, injuries can occur.

Warranty

TWO YEAR FRAME, WEAVE AND FABRIC LIMITED WARRANTY

WHAT IS COVERED

We warrant the frame, weave and fabric to be free of manufacturing defects to the original purchaser for two years. For glass table top we warrant 30 days from the date of purchase.

WHAT IS NOT COVERED

This warranty does not cover commercial use, hardware, acts of nature, fire, freezing and abusive use. In addition, purchased parts are not covered under this warranty.

We reserve the right to make substitutions with similar merchandise, if the model in question is no longer in production.

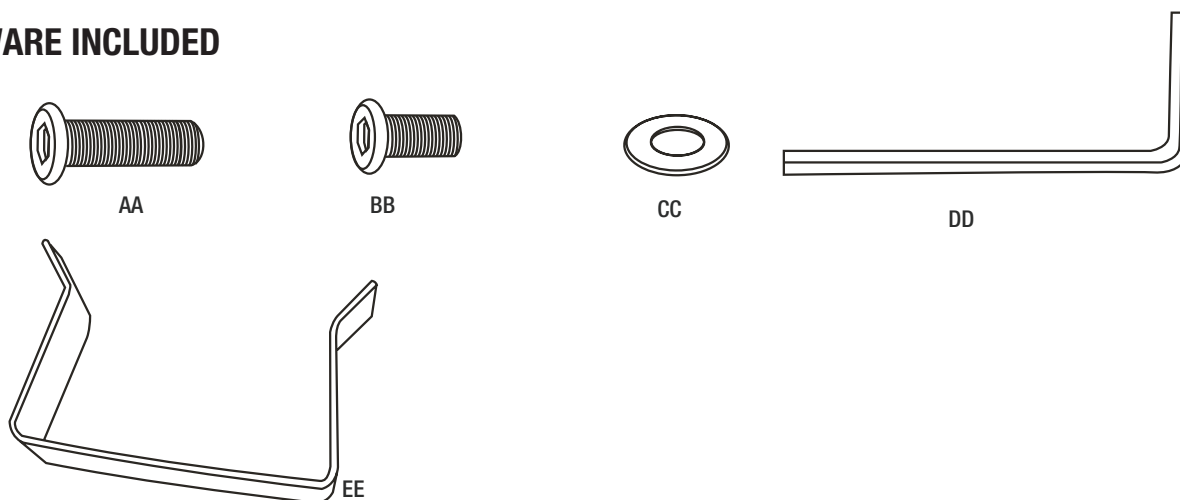
Contact the Customer Service Team at 1-855-HD-HAMPTON or visit www.Hamptonbay.com.

Pre-Installation

PLANNING INSTALLATION

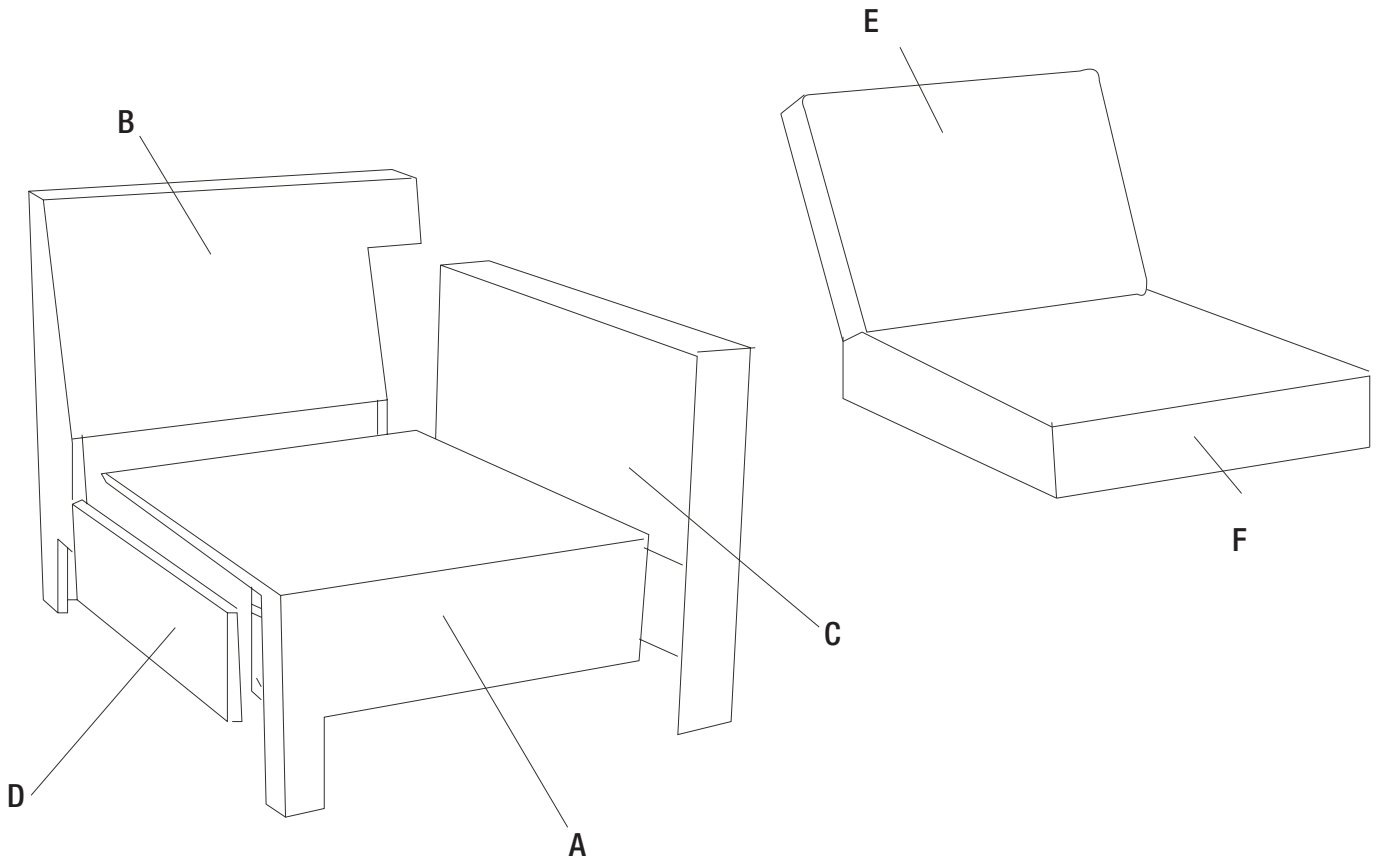
To prevent damage, place all parts on a soft surface during assembly. Remove all protective caps before beginning assembly.

HARDWARE INCLUDED



Part	Description	Quantity
AA	Bolt ϕ 1/4 x40 mm	6
BB	Bolt ϕ 1/4 x20 mm	43
CC	Washer ϕ 6mm	49
DD	Hex wrench 4mm	1
EE	U Shape connector	8

PACKAGE CONTENTS (LEFT ARM)

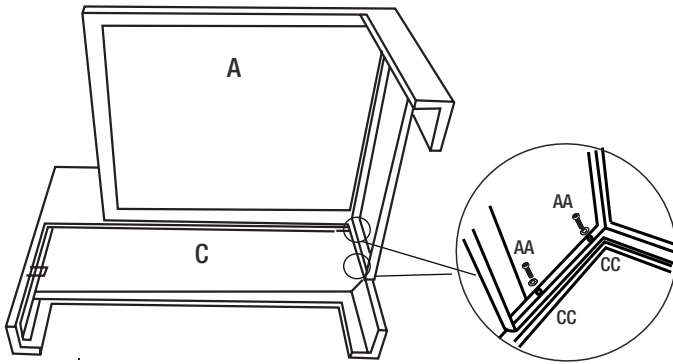


Part	Description	Quantity
A	Seat	1
B	Back	1
C	Left Arm	1
D	Side Skirt	1
E	Back Cushion	1
F	Sea t Cushion	1

Installation

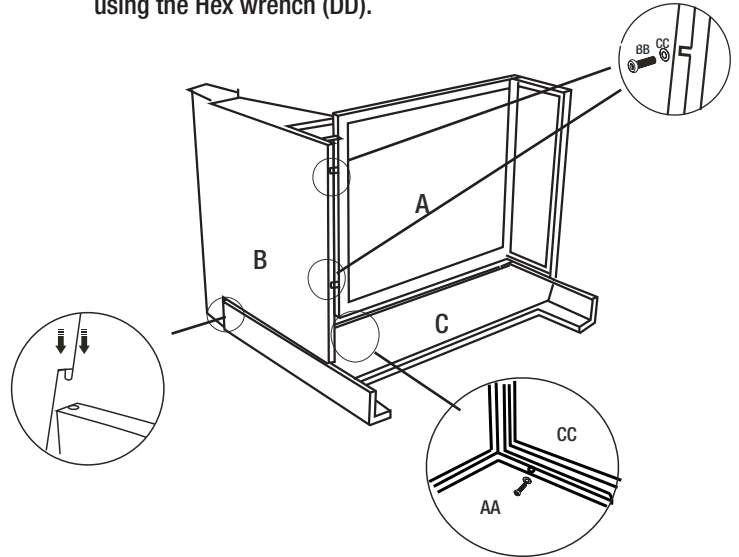
1 Attaching the left arm to the seat

- Place the left arm (C) on a soft surface.
- Attach the seat (A) to the left arm (C), fasten with bolts (AA) with washers (CC). Tighten half way using the Hex wrench (DD).



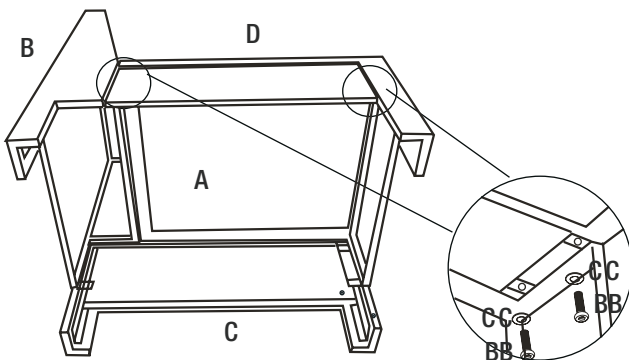
2 Attaching the back

- Put the back (B) metal side into the hole of arm (C). Attach left arm (C) to the seat (A), fasten bolts (AA) and washer (CC). Tighten half way using the Hex wrench (DD). Insert two pins on the back (B) into the holes on arm (C), fasten bolts (BB) and washer (CC). Tighten half way using the Hex wrench (DD).



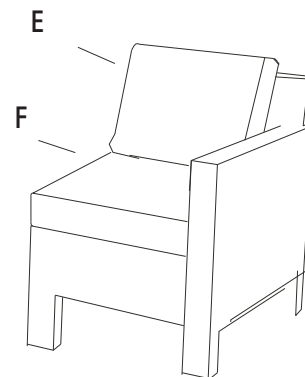
3 Adding the side skirt

- Attach the side skirt (D) to the seat (A) by aligning holes on the seat (A) with the holes on the side skirt (D) and inserting bolts (BB) with washers (CC). Tighten half way using the Hex wrench (DD). Do not tighten completely.

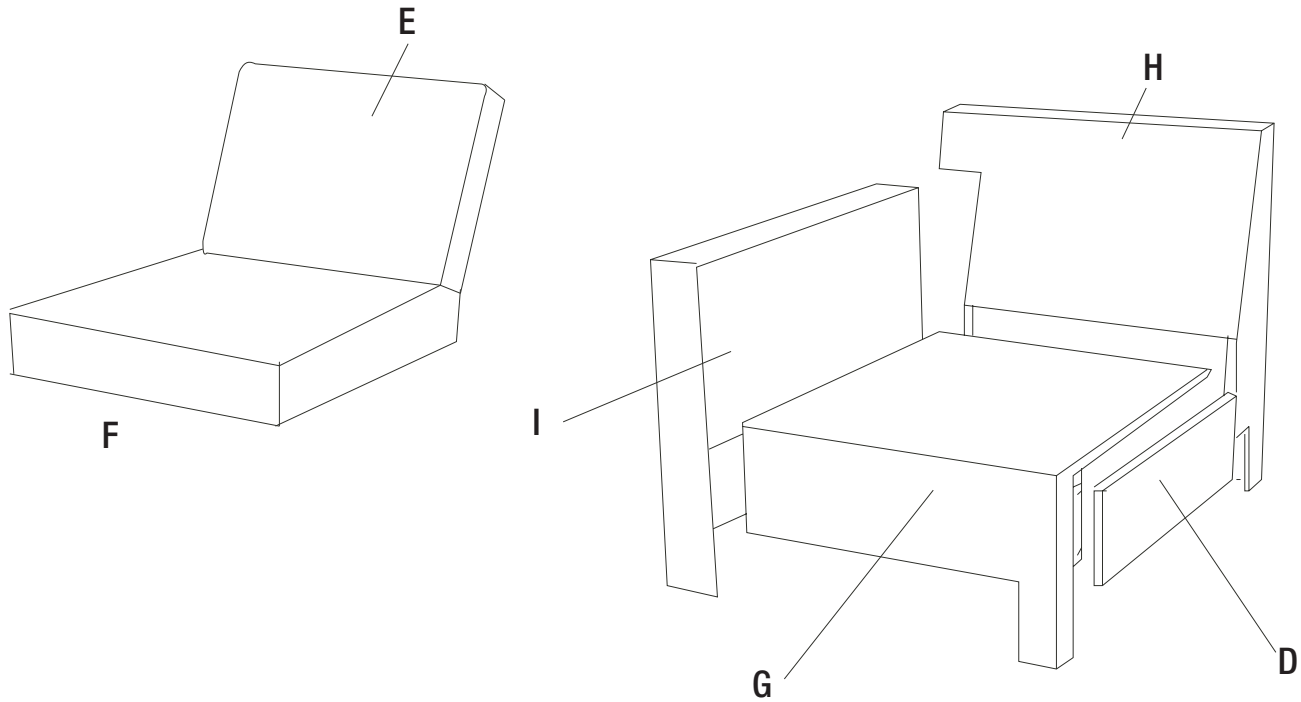


4 Completing the assembly

- Check and make adjustment as needed.
- Fully tighten all the bolts with the Hex wrench (DD).
- Place the seat cushion (F) and the back cushion (E) on the chair.
- This chair is now ready for your enjoyment.



PACKAGE CONTENTS (RIGHT ARM)

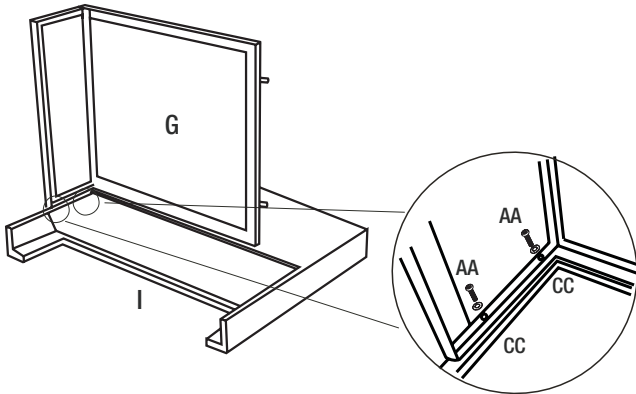


Part	Description	Quantity
G	Seat	1
H	Back	1
I	Right Arm	1
D	Side Skirt	1
E	Back Cushion	1
F	Seat Cushion	1

Installation

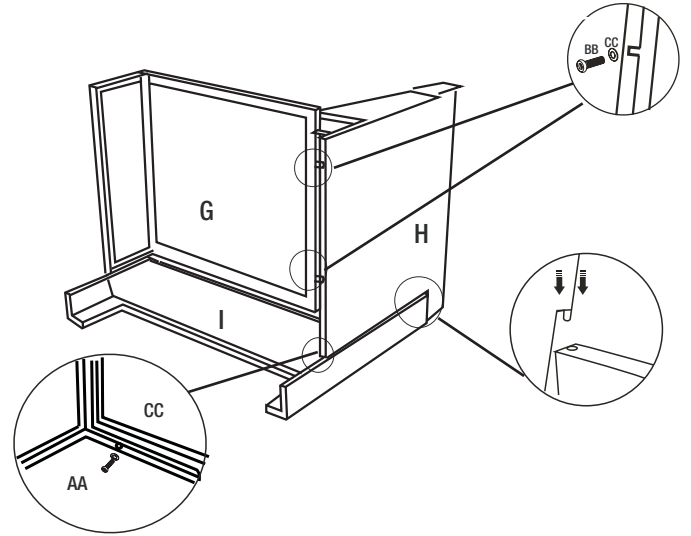
1 Attaching the right arm to the seat

- Place the left arm (C) on a soft surface.
- Attach the seat (A) to the left arm (C), fasten with bolts (AA) with washers (CC). Tighten half way using the Hex wrench (DD).



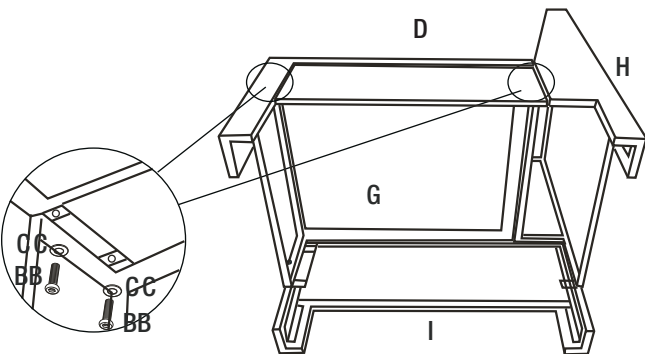
2 Attaching the back

- Put the back (B) metal side into the hole of arm (C). Attach left arm (C) to the seat (A), fasten bolts (AA) and washer (CC). Tighten half way using the Hex wrench (DD). Insert two pins on the back (B) into the holes on arm (C), fasten bolts (BB) and washer (CC). Tighten half way using the Hex wrench (DD).



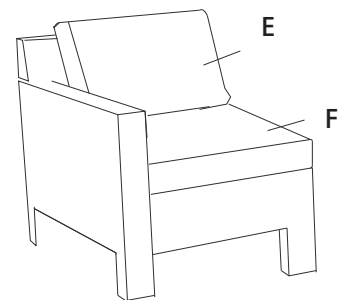
3 Adding the side skirt

- Attach the side skirt (D) to the seat (A) by aligning holes on the seat (A) with the holes on the side skirt (D) and inserting bolts (BB) with washers (CC). Tighten half way using the Hex wrench (DD). Do not tighten completely.



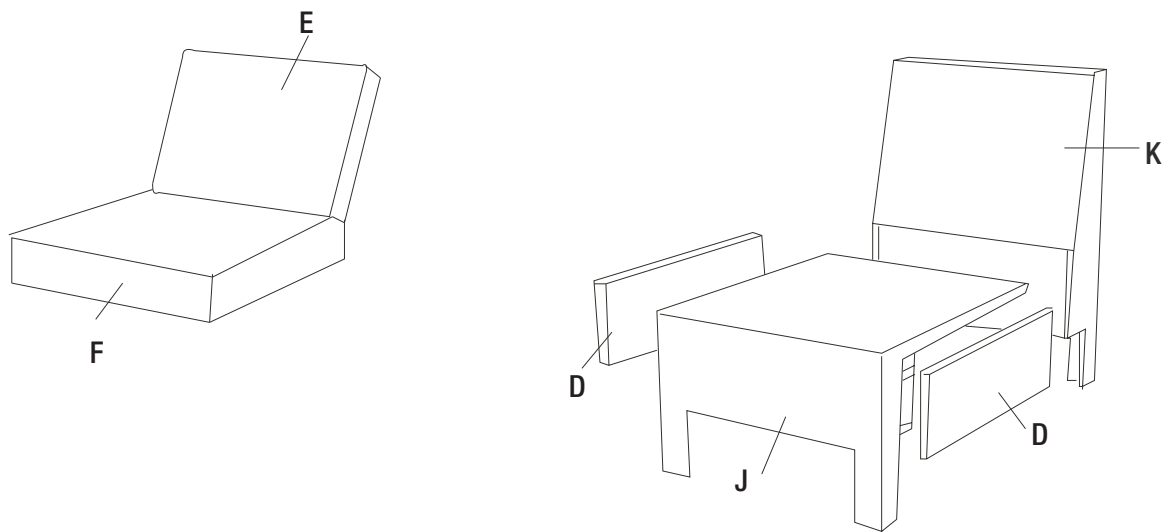
4 Completing the assembly

- Check and make adjustment as needed.
- Fully tighten all the bolts with the Hex wrench (DD).
- Place the seat cushion (F) and the back cushion (E) on the chair.
- This chair is now ready for your enjoyment.



Pre-Installation

PACKAGE CONTENTS (MIDDLE)

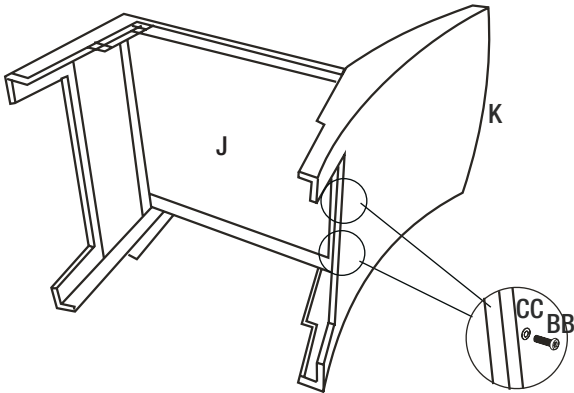


Part	Description	Quantity
J	Seat	1
K	Back	1
D	Side skirts	2
E	Back Cushion	1
F	Seat Cushion	1

Installation

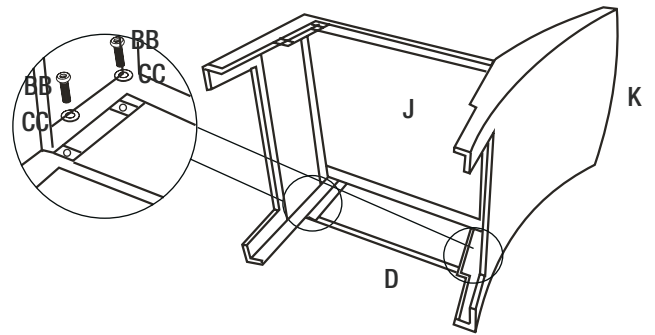
1 Attaching the back to the seat

- Place the back (K) on a soft surface.
- Attach the seat (J) to the back (K) by aligning holes on the back (K) with the holes on the seat (J) and inserting bolts (BB) with washers (CC). Tighten half way using the Hex wrench (DD). Do not tighten completely.



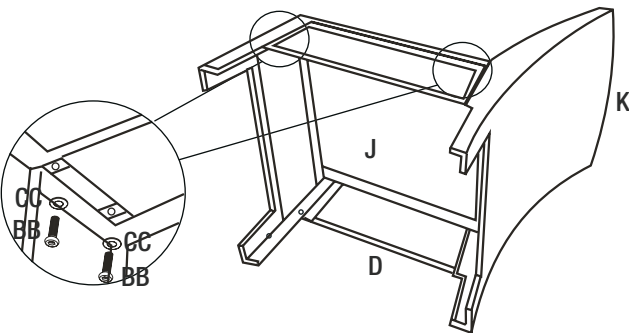
2 Attaching the one side skirt

- Attach the side skirt (D) to the seat (J) by aligning holes on the seat (J) with the holes on the side skirt (D) and inserting bolts (BB) with washers (CC). Tighten half way using the Hex wrench (DD). Do not tighten completely.



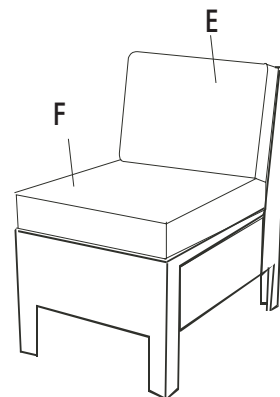
3 Attaching the other side skirt

- Repeat steps 2 to attach the other side (D)

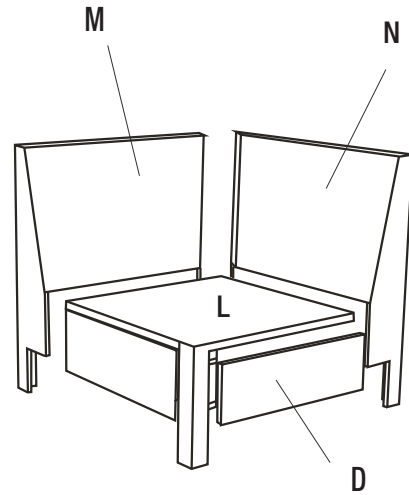
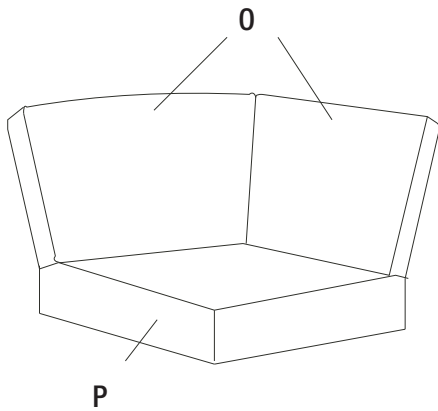


4 Completing the assembly

- Place the chair right side up.
- Check and make adjustment as needed.
- Fully tighten all the bolts (BB) with the Hex wrench (DD).
- Place the seat cushion (F) and back cushion (E) on the chair.
- This chair is now ready for your enjoyment.



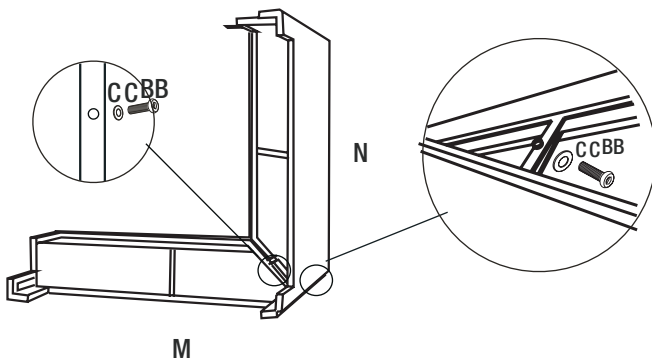
PACKAGE CONTENTS CONTENTS (CORNER)



Part	Description	Quantity
L	Seat	1
M	Right back	1
N	Left back	1
D	Side skirt	1
O	Back cushion	2
P	Seat cushion	1

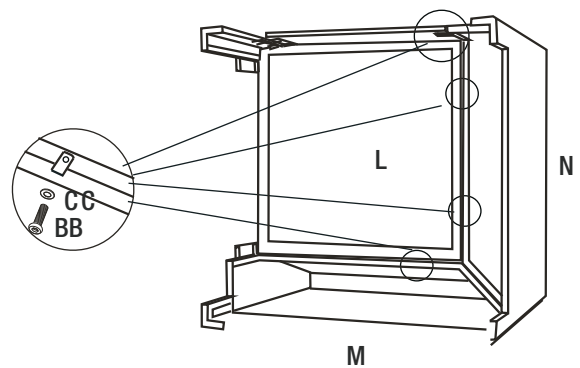
1 Attaching the back

- Place the right back (M) and the left back (N) on a soft surface.
- Attach the right back (M) to the left back(N) . Tighten half way using the Hex wrench (DD).
Fasten the inside hole with bolt (BB) and washer (CC) .Then fasten outside hole with (BB) and (CC)



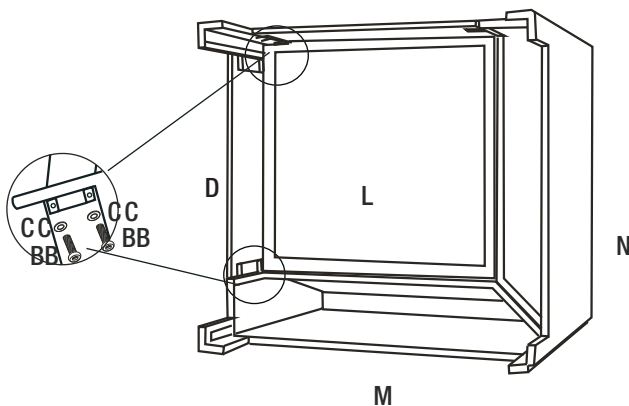
2 Attaching the seat

- Attach the seat (L) to the backs by aligning three holes on the seat (L) to the two holes on the right back (M) and one hole on the left back (N) and inserting bolts (BB) with washers (CC) and tighten half way using the Hex wrench (DD). Do not tighten completely.



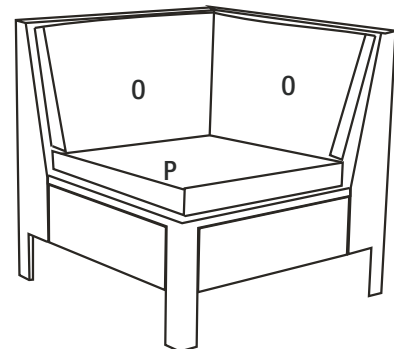
3 Attaching the side skirt

- Attach the side skirt (D) to the seat (L) by aligning holes on the seat (L) with the holes on the side skirt (D) and inserting bolts (BB) with washers (CC). Tighten half way using the Hex wrench (DD). Do not tighten completely.



4 Completing the assembly

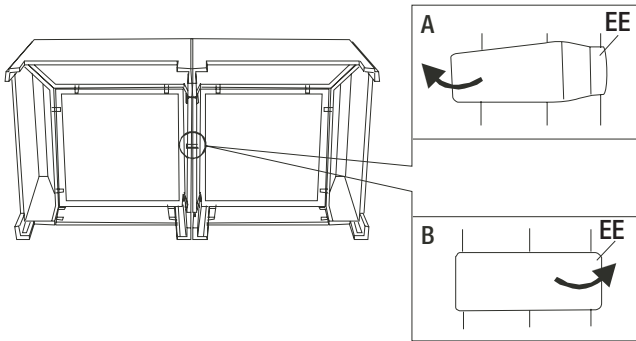
- Place the chair right side up.
- Check and make adjustments as needed.
- Fully tighten all the bolts (AA) with the Hex wrench (DD)
- Place the seat cushion (P) and back cushions (O) on the chair .
- This chair is now ready for your enjoyment.



Installation

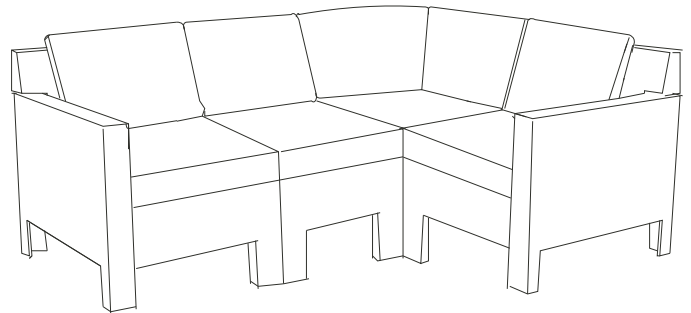
1 Attaching U shape connector

- As photo shown, place one side of the clip to sectional base first, and press another side of the clip to sectional base as illustrated.



2 Completing the assembly

- The sectional is now ready for your enjoyment.



Care and Cleaning

- Before using, wipe with a clean, dry cloth. Do not use bleach or solvents. When not in use, store furniture in a cool, dry place. If your set includes cushions or mesh fabric, they may be cleaned by hand with a mild solution of soap and water.
- Rinse cushion thoroughly and allow to drip dry. Do not machine wash or tumble dry, as cushions may shrink.
- Do not use bleach or solvents on fabrics. When cleaning the table top make sure to use a soft, clean cloth that does not bleed color as well.

Care and Maintenance

- Wash the frame with a mild solution of soap and water, rinse with clean water, and dry thoroughly.
- Cushions may also be cleaned by hand with a mild solution of soap and water. Rinse the cushion cover thoroughly and allow to drip dry. The back cushion and pillow should be spot cleaned with a soft cloth. Do not machine wash or tumble dry, as cushions may shrink. Do not use bleach or solvents on fabrics. Never use cleaners that contain acid or abrasive materials.
- Use and operation: To improve the lifespan of this furniture, cover when not use and store in a dry place in the off season.

MODEL TYPE

Part	Description	Quantity
A	The Seat f Left Arm	1
B	The Back Of Left Arm	1
C	Left Arm	1
D	Side Skirt	7
E	Back Cushion	4
F	Seat Cushion	4
G	The Seat Of Right Arm	1
H	The Back Of Right Arm	1
I	Right Arm	1
J	The Seat Of Middle	2
K	The Back Of Middle	2
L	The Seat Of Corner	1
M	Right back	1
N	Left back	1
O	Back cushion	2
P	Seat cushion	1

HAMPTON BAY®

Questions, problems, missing parts? Before returning to the store,
call Hampton Bay Customer Service
8 a.m. - 7 p.m., EST, Monday – Friday, 9 a.m. – 6 p.m., EST, Saturday

1-855-HD-HAMPTON

HAMPTONBAY.COM

Retain this manual for future use.