

FRIGIDAIRE GALLERY

Single Wall Ovens

FGEW2765P F/W/B

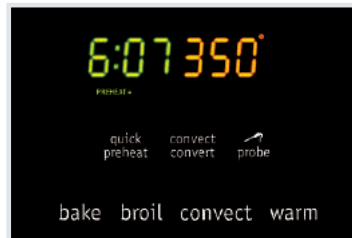


Signature Features



True Convection

Single convection fan circulates hot air throughout the oven for faster and more even multi-rack baking.



Quick Preheat

Preheat in less than six minutes.¹



Power Broil

Added power means you can broil food faster.



Smudge-Proof™ Stainless Steel²

Reduces fingerprints and smudges so it's easy to clean.

27" Electric

Product Dimensions

| | |
|--------|---------|
| Height | 29" |
| Width | 27" |
| Depth | 24-3/4" |

More Easy-To-Use Features

Steam Cleaning

A light oven cleaning that's chemical-free, odor-free, and fast.

Effortless™ Convection

Takes the guesswork out of convection cooking — our oven automatically adjust standard baking temperatures to convection temperatures for consistent results.

Even Baking Technology

Our Even Baking Technology ensures even baking every time.

Express-Select® Controls

Easily set cooking temperature or choose one-touch cooking options.

Temperature Probe

Take the guesswork out of cooking with our temperature probe that ensures your food is at the right internal temperature.

One-Touch Keep Warm Setting

Just one touch of a button keeps food warm until everything — and everyone — is ready.

Auto Oven Shut-Off

As an extra safety measure, the oven will automatically shut off after six hours.

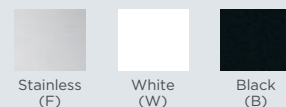
A.D.A. Compliant

When properly installed, this model is A.D.A.-qualified based on the United States Access Board's A.D.A./A.B.A. Accessibility Guidelines and the Department of Justice's 2010 A.D.A. Standards for Accessible Design.



Sabbath Mode (Star-K® Certified)

Available in:



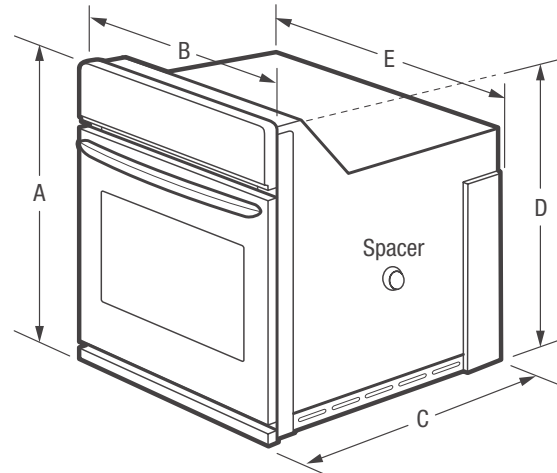
¹Based on single rack cooking performance, not set temperature, using Quick Preheat.

²Select models only.

| Features | |
|---|---|
| Oven Control/Timing System | Express-Select* |
| Window | Extra-Large |
| Exterior Door Finish | Smudge-Proof™ Stainless Steel (F), Color-Coordinated (W/B) |
| Handle Design | Stainless Steel (F), Color-Coordinated (W/B) |
| Oven Cleaning System | Self-Clean w/ Steam Clean Option |
| Oven Controls | |
| Bake/Broil | Yes/Variable (400 - 550 °F) |
| Effortless™ Convection Conversion | Yes |
| Convection Bake/Broil/Roast | Yes/Yes/Yes |
| Oven Preheat | Quick |
| My Favorite | |
| Slow Cook | |
| Effortless™ Temperature Probe | Yes |
| Chicken Nugget Button | |
| Pizza Button | |
| Keep Warm | Yes |
| Add-a-Minute | |
| Delay Start | Yes |
| Self-Clean/Clean Options | Yes/2, 3, 4 Hours |
| Steam Clean | Yes |
| Delay Clean | Yes |
| Kitchen Timer | Yes |
| Timed Cook Option | Yes |
| Control Lock | Yes |
| Auto Oven Shut-Off | Yes |
| Oven Lock-Out | Yes |
| Oven Features | |
| Capacity (Cu. Ft.) | 3.8 |
| Convection System | True Convection |
| Oven Light | 2 Halogen |
| Hidden Bake Element | Yes |
| Rack Configuration | 2 Heavy Duty, 1 Offset Rack |
| Baking System | Even Baking Technology |
| Broiling System | Power Broil |
| Bake/Broil Element (Watts) | 1,450/3,400 |
| Optional Accessories | |
| 3"-High Bottom Trim - Stainless Steel (F)/White (W)/Black (B) | (F) PN# 903114-901S (W) PN# 903114-901I (B) PN# 903114-901O |
| 10'-Long Armored Power Cable | PN# 903056-901O |
| Certifications | |
| A.D.A. Compliant ¹ | Yes |
| Sabbath Mode (Star-K® Certified) | Yes |
| Specifications | |
| Oven Interior (H x W x D) | 17" x 20-1/2" x 18-3/4" |
| Power Supply Connection Location | Left Bottom Rear |
| Voltage Rating | 240V / 208V / 60Hz |
| Connected Load (kW Rating) @ 240/208 Volts ² | 3.7/2.8 |
| Amps @ 240/208 Volts | 15.4/13.5 |
| Minimum Circuit Required (Amps) | 20 |
| Approved for Under-Counter Installation | Yes |
| Shipping Weight (Approx.) | 146 Lbs. |

¹When properly installed, this model is A.D.A.-qualified based on the United States Access Board's A.D.A./A.B.A. Accessibility Guidelines and the Department of Justice's 2010 A.D.A. Standards for Accessible Design.

²Single phase 3- or 4-wire cable, 120/240 or 120/208 Volt, 60 Hertz AC only electrical supply with ground required on separate circuit fused on both sides of line.



NOTE: For planning purposes only. Always consult local and national electric codes. Refer to Product Installation Guide for detailed installation instructions on the web at frigidaire.com.



| Product Dimensions | |
|--------------------------|----------|
| A - Height | 29" |
| B - Width | 27" |
| C - Depth | 24-3/4" |
| D - Height (Wrapper) | 27-3/16" |
| E - Width (Wrapper) | 24-5/8" |
| Depth with Door Open 90° | 45-3/4" |

| Cutout Dimensions | |
|----------------------|-------------------|
| Height (Min.)/(Max.) | 27-1/4" / 28-5/8" |
| Width (Min.)/(Max.) | 24-7/8" / 25-1/4" |
| Depth (Min.) | 24" |

Accessories information available on the web at frigidaire.com

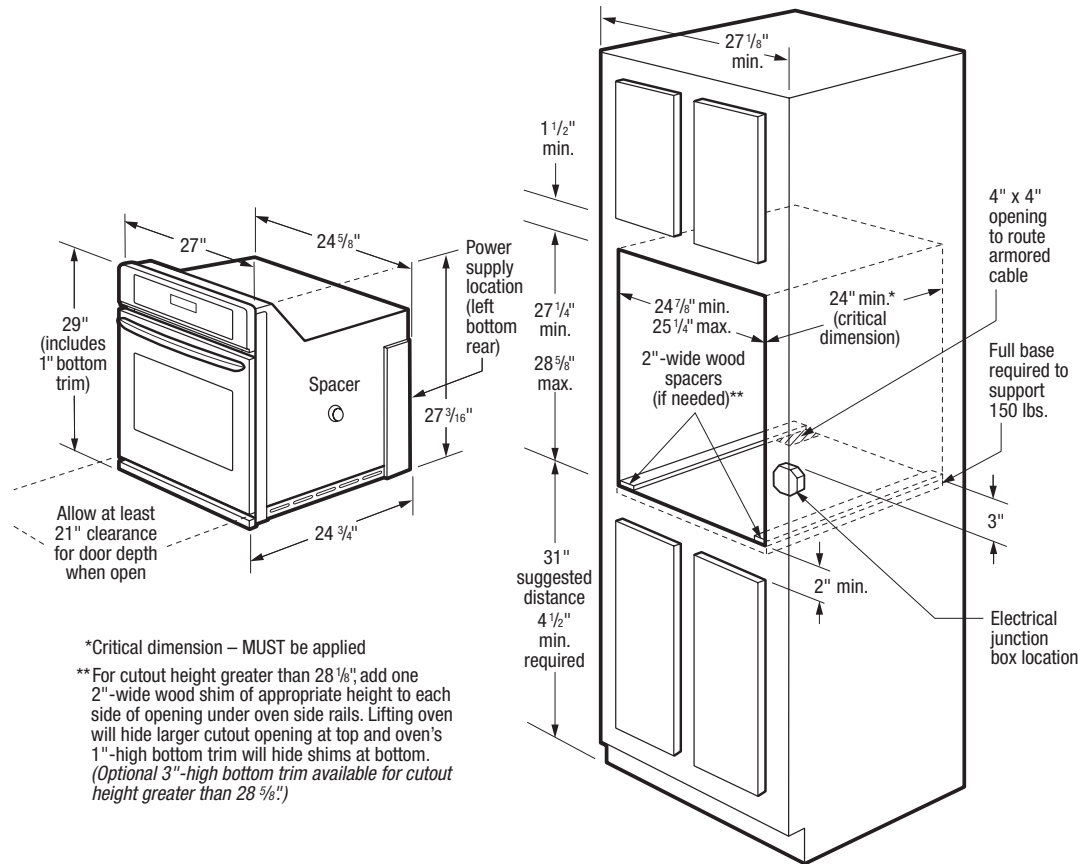
FRIGIDAIRE

USA • 10200 David Taylor Drive • Charlotte, NC 28262 • 1-800-FRIGIDAIRE • frigidaire.com
CANADA • 5855 Terry Fox Way • Mississauga, ON L5V 3E4 • 1-800-265-8352 • frigidaire.ca

FGEW2765P 12/16

© 2016 Electrolux Home Products, Inc.

Specifications subject to change.



Single Wall Oven Specifications

- Product Shipping Weight (approx.) - 146 Lbs.
- Single phase 3- or 4-wire cable, 120/240 or 120/208 Volt, 60 Hertz AC only electrical supply with ground required on separate circuit fused on both sides of line.
- Connected Load (kW Rating) @ 240/208 Volts = 3.7/2.8kW
- Amps @ 240/208 Volts = 15.4/13.5 Amps
- Recommended Circuit Breaker - 20 Amps
- Always consult local and national electric codes.
- Minimum 21" clearance for oven door depth when open.
- Suggested distance from floor is 31". Minimum required distance is 4-1/2".
- Minimum 24" deep cutout dimension is critical for proper installation, to ensure that oven's faceplate will fit flush against cabinet front.
- To adapt oven to fit cutout height greater than 28-1/8", add one 2"-wide wood shim of appropriate height to each side of opening under oven side rails. Lifting oven will hide larger cutout opening at top and oven's 1"-high bottom trim will hide shims at bottom. (Standard 1"-High Bottom Trim included.)
- To adapt oven to fit cutout height greater than 28-5/8", optional 3"-High Bottom Trim available.

- Full oven base of solid plywood or similar material required, capable of supporting 150 Lbs.
- Base must be level and cabinet front must be square.
- Single Wall Ovens are NOT approved to be used in stackable or side-by-side installation.
- Single Wall Ovens are approved to be used alone in under-counter installation or beneath any approved Frigidaire® gas or electric cooktop. (Refer to Gas or Electric Cooktop Installation Over 30"/27" Electric Single Wall Oven Specifications pages on web.)
- Single Wall Ovens are approved to be used in combination with any Frigidaire® Warmer Drawer. (Refer to model-specific Warmer Drawer product page for Combination Installation Specifications.)
- Single Wall Ovens are approved to be used in combination with any Frigidaire® Built-In Microwave Oven.

Note: For planning purposes only. Refer to Product Installation Guide on the web at frigidaire.com for detailed instructions.

Optional Accessories

- 3"-High Stainless Steel Bottom Trim - (PN# 903114-901S).
- 3"-High White Bottom Trim - (PN# 903114-901I).
- 3"-High Black Bottom Trim - (PN# 903114-901O).
- 10'-Long Armored Power Cable - (PN# 903056-901O).

FRIGIDAIRE

USA • 10200 David Taylor Drive • Charlotte, NC 28262 • 1-800-FRIGIDAIRE • frigidaire.com
 CANADA • 5855 Terry Fox Way • Mississauga, ON L5V 3E4 • 1-800-265-8352 • frigidaire.ca
 FGEW2765P 12/16

© 2016 Electrolux Home Products, Inc.

Accessories information available on the web at frigidaire.com



Specifications subject to change.