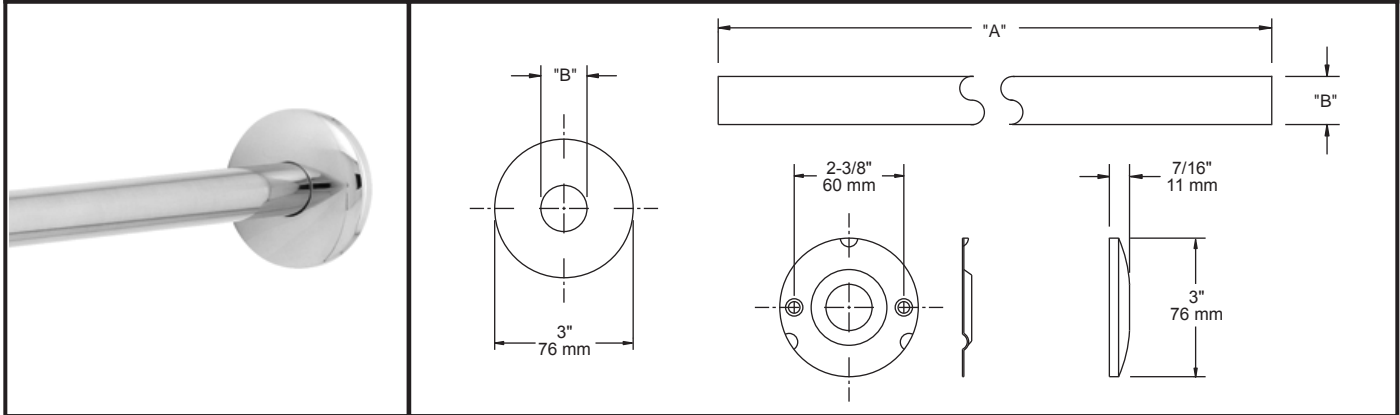


Shower Rods

SHOWER ROD - 161CS & 167CS SERIES



MATERIALS: 161CS tubing is 1" O.D. x .035 (20 gauge) seamless type 304 polished stainless steel. 167CS tubing is 1-1/4" O.D. x .049 (18 gauge) seamless type 304 polished stainless steel. Wall flanges are of 14 gauge type 304 stainless steel. Snap lock cover flanges are 20 gauge type 304 polished stainless steel.

MODEL#	DIM "A"	DIM "B"
161CS	5', 6'	1" (25 mm) O.D.
167CS	5'	1-1/4" (32 mm) O.D.

INSTALLATION: Install wall flanges and rod with 4 - #10 x 2" pan head stainless steel screws provided. Snap lock cover flanges to be on rod before installation of wall flanges and rod. Slide cover flanges over wall flanges lining up dimples and catches on both parts. Press firmly and rotate cover flange 1/4" to complete installation.

OPTIONAL FASTENER INFORMATION: Wood blocking is preferable behind all wall surfaces. If wood blocking is not available, the following fasteners are suggested: Tile/Masonry - Plastic or Lead Anchors, Plaster/Drywall - Toggle Bolts

SPECIFICATION: Surface mounted shower rod shall be model _____ (fill in model number) by Liberty Hardware Manufacturing Corporation.

FranklinBrass®
A Liberty Hardware Brand