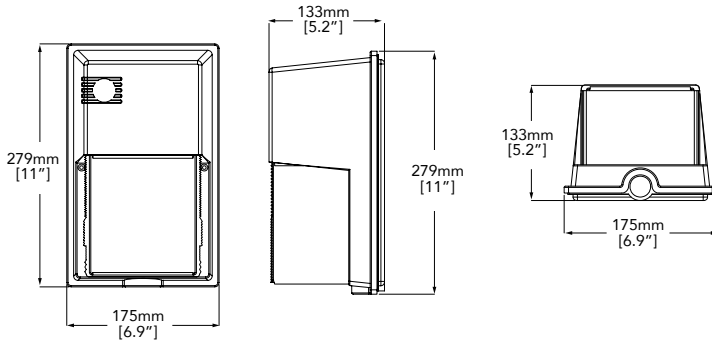
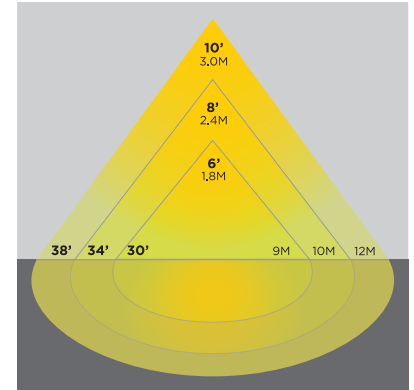


PRODUCT LINE DRAWING



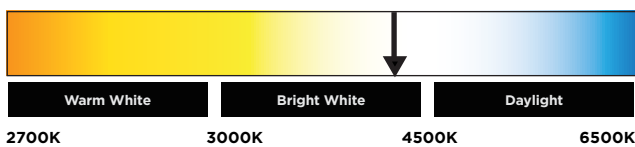
SUGGESTED MOUNTING HEIGHT:
6-12FT. (1.8-3.7M)

3D PHOTOMETRIC VIEW

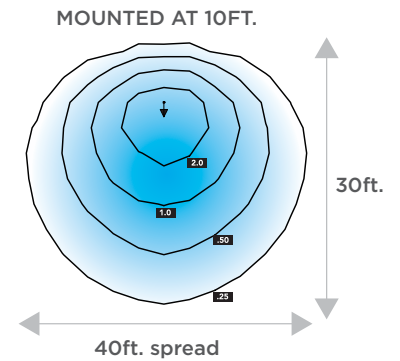


PRODUCT SPECIFICATIONS

Product Dimensions	: 11"×6.9"×5.2"
Weight	: 5.73lbs
Lumens	: 2415
System Wattage	: 21W
LED Wattage	: 19W
Efficacy	: 118
CRI	: 70
Replaces (MH)	: 70W
Mounting	: Wall mount
Frequency	: 50-60Hz
THD(Total Harmonic Distortion)	: <20%
PF(Power Factor)	: >0.9
Ambient Operating Temperature	: (-30) - 40°C
Input Voltage	: 120-277V
LED Chip	: LUXEON 3030 2D
Photocell	: Yes
Driver	: 0-10V Dimming
Standard Lifetime	: L70 >50,000hrs
Standard Warranty	: 5 Years
Water Proofing Grade	: Suitable for wet location
CCT	: 4000K
Certifications	: DLC, UL/cUL



2D PHOTOMETRIC VIEW



APPLICATION

