

HAMPTON BAY®

ITEM # 000 000 000

MODEL # FRS60752-ST-1BL

**Fernlake Steel Wicker
Left/Right Arm Loveseat - Bare
Use and Care Guide**

Important Safety Instructions

SAVE THESE INSTRUCTIONS



WARNING: This loveseat was made for the explicit purpose of providing outdoor functions and is not to be used as a toy. This product is intended for normal outdoor use; however, the manufacturer recommends storing and / or covering this set when any formidable / severe weather is approaching.



WARNING: Do not locate this product near open flames. Do not use this product as a support. Do not shake, lean or climb on the product. Children under the age of 10, near the product, should be supervised by a competent adult at all times. This product is NOT intended for commercial use and will void the warranty.

READ ALL INSTRUCTIONS BEFORE USE

To reduce the risk of injury to persons:

1. Close supervision is necessary when this product is used by or near children, or disabled persons, if applicable.
2. Use this furnishing only for its intended use as described in these instructions. Do not use attachments not recommended by the manufacturer.
3. Do not move the loveseat while the chair is occupied. Failure to obey this caution could result in injury.
4. Do not rock in the loveseat as you may fall and cause serious injury.



WARNING: Do not place heavy objects on the chair.



WARNING: Weight limit for chair is 250 lbs (113.39 Kg) for each seat.



CAUTION: Do not locate the product near any heat source.

Warranty

2 YEAR FRAME LIMITED WARRANTY

WHAT IS COVERED

We warrant the frame to be free of manufacturing defects to the original purchaser for two years.

WHAT IS NOT COVERED

It remains the customer's responsibility for freight and packaging charges to and from our service center.

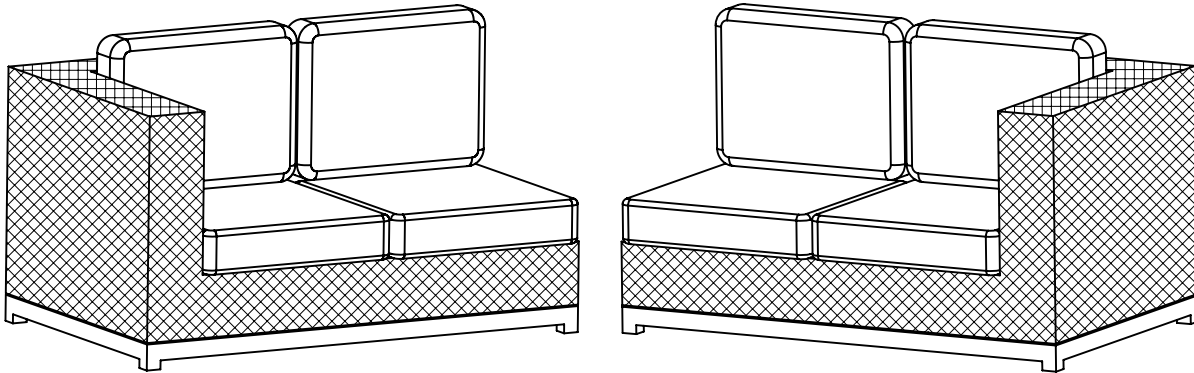
This warranty does not cover commercial use, hardware, acts of nature, fire, freezing, and abusive use. In addition, purchased parts are not covered under this warranty. We reserve the right to make substitutions with similar merchandise, if the model in question is no longer in production.

Contact the Customer Service Team at 1-855-HD-HAMPTON or visit www.HamptonBay.com.

Operation

1 Using the loveseat

- Always place the loveseat on a hard, level surface.



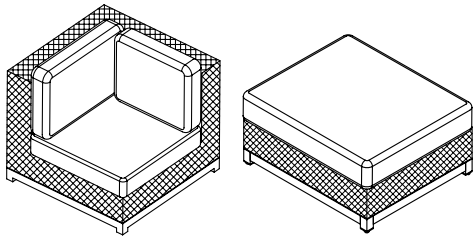
For certification use only

Factory left arm loveseat ID # FRS60752LA

Factory right arm loveseat ID # FRS60752L

Care and Cleaning

- For best results, clean the frame with a damp cloth, and dry thoroughly. This will help prevent mildew by removing dirt particles that may accumulate.
- Do not clean with abrasive materials, bleach or solvents.
- Store the chair in a dry, sheltered place when not in use.
- Keep the chair away from fire, extreme heat, freezing conditions, and inclement weather such as rain, hail, sleet, snow, or wind.



HAMPTON BAY®

ITEM # 000 000 000

MODEL # FRS60752-ST-1BC

**Fernlake Steel Wicker
Corner Chair + Ottoman - Bare
Use and Care Guide**

Important Safety Instructions

SAVE THESE INSTRUCTIONS



WARNING: This chair/ottoman was made for the explicit purpose of providing outdoor functions and is not to be used as a toy. This product is intended for normal outdoor use; however, the manufacturer recommends storing and / or covering this set when any formidable / severe weather is approaching.



WARNING: Do not locate this product near open flames. Do not use this product as a support. Do not shake, lean or climb on the product. Children under the age of 10, near the product, should be supervised by a competent adult at all times. This product is NOT intended for commercial use and will void the warranty.

READ ALL INSTRUCTIONS BEFORE USE

To reduce the risk of injury to persons:

1. Close supervision is necessary when this product is used by or near children, or disabled persons, if applicable.
2. Use this furnishing only for its intended use as described in these instructions. Do not use attachments not recommended by the manufacturer.
3. Do not move the chair/ottoman while the chair is occupied. Failure to obey this caution could result in injury.
4. Do not rock in the chair/ottoman as you may fall and cause serious injury.



WARNING: Do not place heavy objects on the chair.



WARNING: Weight limit for chair is 250 lbs (113.39 Kg) for each seat.



WARNING: Weight limit for ottoman is 225 lbs (102.06 Kg).



CAUTION: Do not locate the product near any heat source.

Warranty

2 YEAR FRAME LIMITED WARRANTY

WHAT IS COVERED

We warrant the frame to be free of manufacturing defects to the original purchaser for two years.

WHAT IS NOT COVERED

It remains the customer's responsibility for freight and packaging charges to and from our service center.

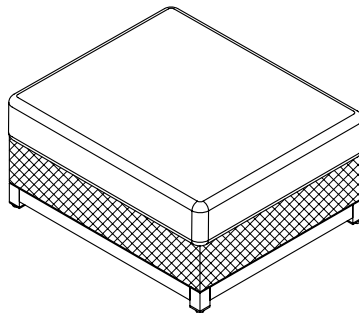
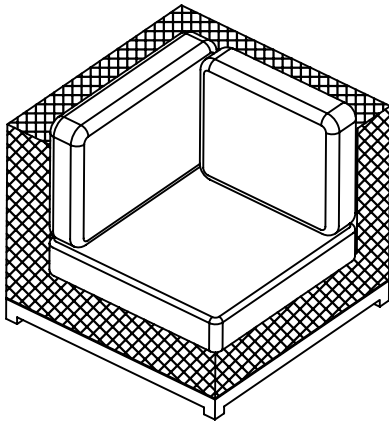
This warranty does not cover commercial use, hardware, acts of nature, fire, freezing, and abusive use. In addition, purchased parts are not covered under this warranty. We reserve the right to make substitutions with similar merchandise, if the model in question is no longer in production.

Contact the Customer Service Team at 1-855-HD-HAMPTON or visit www.HamptonBay.com.

Operation

1 Using the chair/ottoman

- Always place the chair/ottoman on a hard, level surface.



For certification use only
Factory chair ID # FRS60752
Factory ottoman ID # FRS60752F

Care and Cleaning

- For best results, clean the frame with a damp cloth, and dry thoroughly. This will help prevent mildew by removing dirt particles that may accumulate.
- Do not clean with abrasive materials, bleach or solvents.
- Store the chair in a dry, sheltered place when not in use.
- Keep the chair away from fire, extreme heat, freezing conditions, and inclement weather such as rain, hail, sleet, snow, or wind.