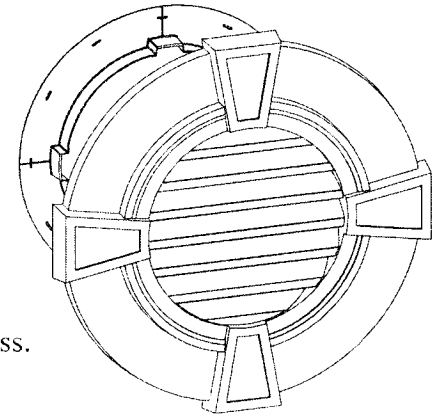


30" WIDE ROUND GABLE VENT WITH KEYSTONES

The 30" Wide Round Gable Vent with Keystones is a functional and decorative vent. It designed to provide unforced free air flow ventilation of attics or similar spaces when used in conjunction with proper soffit ventilation practices. Local ventilation codes apply when installing this unit.

FEATURES:

- Easy to install on all types of exteriors.
- Single unit body construction of vent housing.
- J-Channel eliminated
- Double baffles for increased weather resistance.
- Fully screened for complete insect protection.
- Finish vent ring adjusts for a range of siding thickness.



SPECIFICATIONS:

- Material: Vent: UV stabilized copolymer; Color molded in; .100" nominal wall
 Base: UV stabilized copolymer; Color molded in; .100" nominal wall
 Baffle: Black PP; .025" wall
 Screen: Fiberglass; 18x16 mesh
 Paintable HIPS available
- Fabrication: Single piece molded unit
 Baffle and screen sealed to interior side of unit
- Attachment: Screw or nail directly to any surface.
- Packaging: 1 assembly per box
- Vent Free Area: 50 sq. in.
- Rough Opening: 8" x 8" minimum
- Dimensions: See drawing below

