

# ICE MAKER INSTALLATION INSTRUCTIONS

## INSTRUCTIONS D'INSTALLATION DE LA MACHINE À GLAÇONS

### INSTRUCCIONES DE INSTALACIÓN DE LA FÁBRICA DE HIELO

#### Table of Contents

#### Table des matières

#### Índice

<b>ICE MAKER SAFETY.....</b>	<b>1</b>	<b>SÉCURITÉ DE LA MACHINE</b>	<b>13</b>	<b>SEGURIDAD DE LA FÁBRICA</b>	<b>25</b>
<b>INSTALLATION INSTRUCTIONS.....</b>	<b>2</b>	<b>À GLAÇONS.....</b>	<b>13</b>	<b>DE HIELO .....</b>	<b>25</b>
Unpack the Ice Maker .....	2	<b>INSTRUCTIONS D'INSTALLATION.....</b>	<b>14</b>	<b>INSTRUCCIONES DE INSTALACIÓN .....</b>	<b>26</b>
Location Requirements .....	2	Déballage de la machine à glaçons.....	14	Cómo desempacar la fábrica de hielo... 26	
Electrical Requirements .....	3	Exigences d'emplacement.....	14	Requisitos de ubicación..... 26	
Water Supply Requirements .....	3	Spécifications électriques.....	15	Requisitos eléctricos..... 27	
Vacation or Extended Time Without Use... 3		Spécifications de l'alimentation en eau .. 15		Requisitos de suministro de agua .....	27
Connect Water Supply .....	4	Vacances ou longue période		Vacaciones o tiempo prolongado	
Drain Pump Installation .....	5	d'inutilisation .....	16	sin uso .....	28
Drain Connection .....	7	Raccordement à la canalisation d'eau .. 16		Conexión del suministro de agua .....	28
Door Reversal—Side Swing Only .....	9	Installation de la pompe de vidange..... 17		Instalación de la bomba de desagüe..... 29	
Leveling .....	11	Raccord au drain.....	20	Conexión de desagüe .....	32
Cleaning .....	11	Inversion du sens de la porte –		Reversión de puertas—	
		porte à ouverture latérale uniquement... 21		Solo lado de apertura..... 33	
		Ajustement de l'aplomb .....	23	Nivelación..... 35	
		Nettoyage.....	23	Limpeza .....	35

## ICE MAKER SAFETY

### Your safety and the safety of others are very important.

We have provided many important safety messages in this manual and on your appliance. Always read and obey all safety messages.



This is the safety alert symbol.

This symbol alerts you to potential hazards that can kill or hurt you and others.

All safety messages will follow the safety alert symbol and either the word "DANGER" or "WARNING."

These words mean:

**⚠ DANGER**

You can be killed or seriously injured if you don't immediately follow instructions.

**⚠ WARNING**

You can be killed or seriously injured if you don't follow instructions.

All safety messages will tell you what the potential hazard is, tell you how to reduce the chance of injury, and tell you what can happen if the instructions are not followed.

## IMPORTANT SAFETY INSTRUCTIONS

**WARNING:** To reduce the risk of fire, electric shock, or injury when using your ice maker, follow these basic precautions:

- Plug into a grounded 3 prong outlet.
- Do not remove ground prong.
- Do not use an adapter.
- Do not use an extension cord.
- Disconnect power before manually cleaning the inside components.
- Disconnect power before servicing.
- Replace all parts and panels before operating.
- Use two or more people to move and install ice maker.

### SAVE THESE INSTRUCTIONS

State of California Proposition 65 Warnings:

**WARNING:** This product contains one or more chemicals known to the State of California to cause cancer.

**WARNING:** This product contains one or more chemicals known to the State of California to cause birth defects or other reproductive harm.

## INSTALLATION INSTRUCTIONS

### Unpack the Ice Maker

#### **⚠ WARNING**

##### **Excessive Weight Hazard**

**Use two or more people to move and install ice maker.**

**Failure to do so can result in back or other injury.**

### Removing Packaging Materials

Remove tape and glue from your ice maker before using.

- To remove any remaining tape or glue from the exterior of the ice maker, rub the area briskly with your thumb. Tape or glue residue can also be easily removed by rubbing a small amount of liquid dish soap over the adhesive with your fingers. Wipe with warm water and dry.
- Do not use sharp instruments, rubbing alcohol, flammable fluids, or abrasive cleaners to remove tape or glue. Do not use chlorine bleach on the stainless steel surfaces of the ice maker. These products can damage the surface of your ice maker.

### Cleaning Before Use

After you remove all of the packaging materials, clean the inside of your ice maker before using it. See the cleaning instructions in the "Ice Maker Care" section.

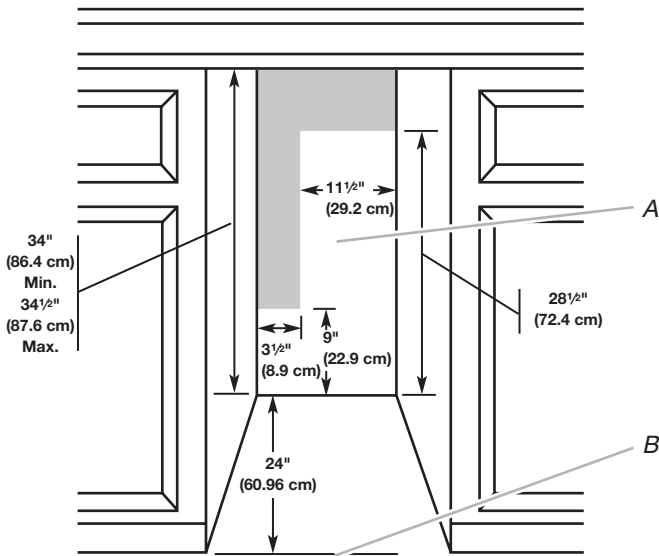
### Location Requirements

- To ensure proper ventilation for your ice maker, the front side must be completely unobstructed. The ice maker may be closed-in on the top and three sides, but the installation should allow the ice maker to be pulled forward for servicing if necessary.
- Installation of the ice maker requires a cold water supply inlet of 1/4" (6.35 mm) OD soft copper tubing with a shutoff valve or a Whirlpool supply line Part Number 8212547RB, and a Whirlpool approved drain pump, Part Number 1901A, only to carry the water to an existing drain.
- Choose a well-ventilated area with temperatures above 55°F (13°C) and below 110°F (43°C). Best results are obtained between 70°F and 90°F (21°C and 32°C).
- The ice maker must be installed in an area sheltered from the elements, such as wind, rain, water spray, or drip.
- When installing the ice maker under a counter, follow the recommended opening dimensions shown. Place electrical and plumbing fixtures in the recommended location as shown.

#### **NOTES:**

- Check that the power supply cord is not damaged or pinched or kinked between the ice maker and the cabinet.
- Check that the water supply line is not damaged or pinched or kinked between the ice maker and the cabinet.
- Check that the drain line (on some models) is not damaged or pinched or kinked between the ice maker and the cabinet.

- Check that the ice maker door is not flush with the standard cabinets to avoid problems with opening the ice maker door.



A. Recommended location for electrical and plumbing fixtures  
B. Floor level

- Choose a location where the floor is even. It is important for the ice maker to be level in order to work properly. If needed, you can adjust the height of the ice maker by changing the height of the leveling legs. See “Leveling.”

## Electrical Requirements

**⚠ WARNING**

**Electrical Shock Hazard**

**Plug into a grounded 3 prong outlet.**

**Do not remove ground prong.**

**Do not use an adapter.**

**Do not use an extension cord.**

**Failure to follow these instructions can result in death, fire, or electrical shock.**

Before you move your ice maker into its final location, it is important to make sure you have the proper electrical connection: A 115 volt, 60 Hz., AC only, 15 or 20 A electrical supply, properly grounded in accordance with the National Electrical Code and local codes and ordinances, is required.

It is recommended that a separate circuit, serving only your ice maker, be provided. Use a receptacle which cannot be turned off by a switch or pull chain.

**IMPORTANT:** If this product is connected to a GFCI (Ground Fault Circuit Interrupter) equipped outlet, nuisance tripping of the power supply may occur, resulting in loss of cooling. Ice quality may be affected. If nuisance tripping has occurred, and if the condition of the ice appears poor, dispose of it.

### Recommended Grounding Method

The ice maker must be grounded. The ice maker is equipped with a power supply cord having a 3 prong grounding plug. The cord must be plugged into a mating, 3 prong, grounding-type wall receptacle, grounded in accordance with the National Electrical Code and local codes and ordinances. If a mating wall receptacle is not available, it is the personal responsibility of the customer to have a properly grounded, 3 prong wall receptacle installed by a qualified electrician.

## Water Supply Requirements

Check that the water supply lines are insulated against freezing conditions. Ice formations in the supply lines can increase water pressure and damage your ice maker or home. Damage from frozen supply lines is not covered by the warranty.

A cold water supply with water pressure of between 30 and 120 psi (207 and 827 kPa) is required to operate the ice maker. If you have questions about your water pressure, call a licensed, qualified plumber.

### Reverse Osmosis Water Supply

#### IMPORTANT:

- A reverse osmosis water filtration system is not recommended for ice makers that have a drain pump installed.
- For gravity drain systems only.
- The pressure of the water supply coming out of a reverse osmosis system going to the water inlet valve of the ice maker needs to be between 30 and 120 psi (207 and 827 kPa).

If a reverse osmosis water filtration system is connected to your cold water supply, the water pressure to the reverse osmosis system needs to be a minimum of 40 to 60 psi (276 to 414 kPa).

**NOTE:** The reverse osmosis system must provide 1 gal. (3.8 L) of water per hour to the ice maker for proper ice maker operation. If a reverse osmosis system is desired, only a whole-house capacity reverse osmosis system, capable of maintaining the steady water supply required by the ice maker, is recommended. Faucet capacity reverse osmosis systems are not able to maintain the steady water supply required by the ice maker.

If the water pressure to the reverse osmosis system is less than 40 to 60 psi (276 to 414 kPa):

- Check to see whether the sediment filter in the reverse osmosis system is blocked. Replace the filter if necessary.
- Allow the storage tank on the reverse osmosis system to refill after heavy usage.

If you have questions about your water pressure, call a licensed, qualified plumber.

## Vacation or Extended Time Without Use

- When you will not be using the ice maker for an extended period of time, turn off the water and power supply to the ice maker.
- Check that the water supply lines are insulated against freezing conditions. Ice formations in the supply lines can increase water pressure and cause damage to your ice maker or home. Damage from freezing is not covered by the warranty.

## Connect Water Supply

Read all directions before you begin.

### IMPORTANT:

- Plumbing shall be installed in accordance with the International Plumbing Code and any local codes and ordinances.
- Use copper tubing or Whirlpool supply line, Part Number 8212547RP, and check for leaks.
- Install tubing only in areas where temperatures will remain above freezing.

### Tools Needed

Gather the required tools and parts before starting installation:

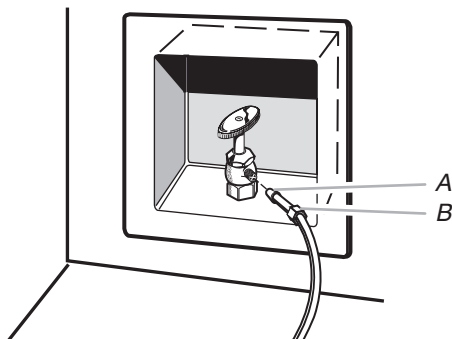
- Flat-blade screwdriver
- 7/16" and 1/2" open-end wrenches or two adjustable wrenches
- 1/4" nut driver

**NOTE:** Do not use a piercing-type or 3/16" (4.76 mm) saddle valve which reduces water flow and clogs more easily.

### Connecting the Water Line

1. Turn off main water supply. Turn on nearest faucet long enough to clear line of water.
2. Using a 1/2" copper supply line with a quarter-turn shutoff valve or the equivalent, connect the ice maker as shown.

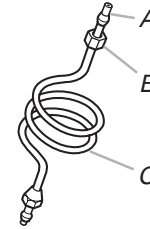
**NOTE:** To allow sufficient water flow to the ice maker a minimum 1/2" diameter home supply line is recommended.



A. Bulb  
B. Nut

3. Now you are ready to connect the copper tubing. Use 1/4" (6.35 mm) O.D. soft copper tubing for the cold water supply.
  - Ensure that you have the proper length needed for the job. Be sure both ends of the copper tubing are cut square.

- Slip compression sleeve and compression nut on copper tubing as shown. Insert end of tubing into outlet end squarely as far as it will go. Screw compression nut onto outlet end with adjustable wrench. Do not overtighten.

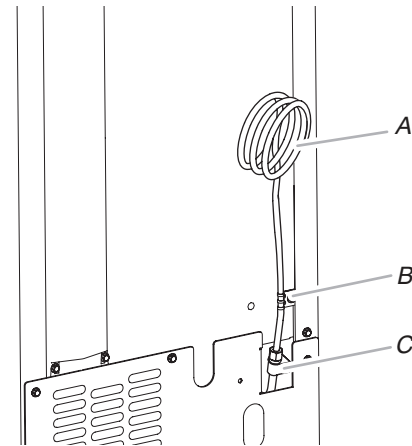


A. Compression sleeve  
B. Compression nut  
C. Copper tubing

4. Place the free end of the tubing into a container or sink, and turn on main water supply and flush out tubing until water is clear. Turn off shutoff valve on the water pipe.
 

**IMPORTANT:** Always drain the water line before making the final connection to the inlet of the water valve to avoid possible water valve malfunction.
5. Water inlet tube is located on the rear side of the ice maker as shown in "Rear View" illustration. Bend the copper tubing to match with water line inlet. Leave the coil of copper tubing as it is to allow the ice maker to be pulled out of the cabinet or away from the wall for service.

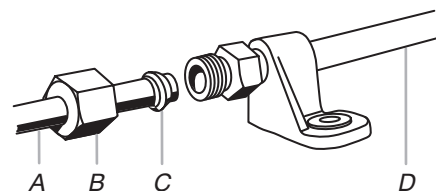
### Rear View



A. Copper tubing  
B. Water supply tube clamp  
C. Inlet water tube clamp and supply line connector

6. Remove and discard the short, black plastic tube from the end of the water line inlet.
7. Thread the nut onto the end of the tubing. Tighten the nut by hand. Then tighten it with a wrench two more turns. Do not overtighten.

**NOTE:** To avoid rattling, be sure the copper tubing does not touch the cabinet's side wall or other parts inside the cabinet.



A. Line to ice maker  
B. Nut (purchased)  
C. Ferrule (purchased)  
D. Supplied line from ice maker

8. Install the water supply tube clamp around the water supply line to reduce strain on the coupling.
9. Turn shutoff valve ON.
10. Check for leaks. Tighten any connections (including connections at the valve) or nuts that leak.

## Drain Pump Installation (on some models)

### NOTES:

- Connect drain pump to your drain in accordance with all state and local codes and ordinances.
- It may be desirable to insulate drain tube thoroughly up to drain inlet to minimize condensation on the drain tube. Insulated tube kit Part Number W10365792 is available for purchase.
- Drain pump is designed to pump water to a maximum height of 10 ft (3 m). Use only Whirlpool approved drain pump kit Part Number 1901A.
- Do not connect the outlet end of the drain tube to a closed pipe system to keep drain water from backing up into the ice maker.

### Kit Contains:

- Drain pump kit Part Number 1901A
- 5/8" I.D. x 5 1/8" drain tube (ice maker bin to drain pump reservoir inlet)
- 1/2" I.D. x 10 ft (3 m) drain tube hose (drain pump discharge to household drain)
- 5/16" I.D. x 32" (81 cm) vent tube (drain pump reservoir vent to ice maker cabinet back)
- Cable tie (secures vent tube to black suction tube) (1)
- #8-32 x 3/8" pump mounting screws (secures drain pump to baseplate and clamps to back of ice maker) (5)
- 5/8" small adjustable hose clamp (secures vent to drain pump)
- 7/8" large adjustable hose clamp, (secures drain tube to ice maker bin and drain pump reservoir inlet) (3)
- Rear panel (2)
- Instruction sheet

### If Ice Maker Is Currently Installed

**NOTE:** If ice maker is not installed, please proceed to "Drain Pump Installation" section.

1. Push the selector switch to the OFF position.

## ⚠ WARNING



### Electrical Shock Hazard

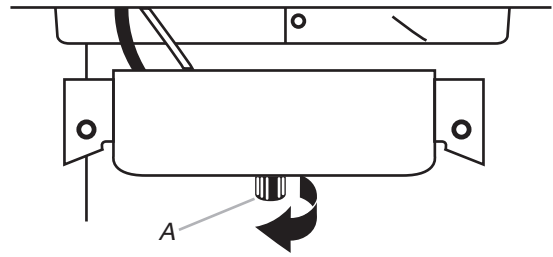
**Disconnect power before servicing.**

**Replace all parts and panels before operating.**

**Failure to do so can result in death or electrical shock.**

2. Unplug ice maker or disconnect power.
3. Turn off water supply. Wait 5 to 10 minutes for the ice to fall into the storage bin. Remove all ice from bin.
4. Unscrew the drain cap from the bottom of the water pan located inside the storage bin. Allow water to drain completely. Replace drain cap. See "Drain Cap" illustration.

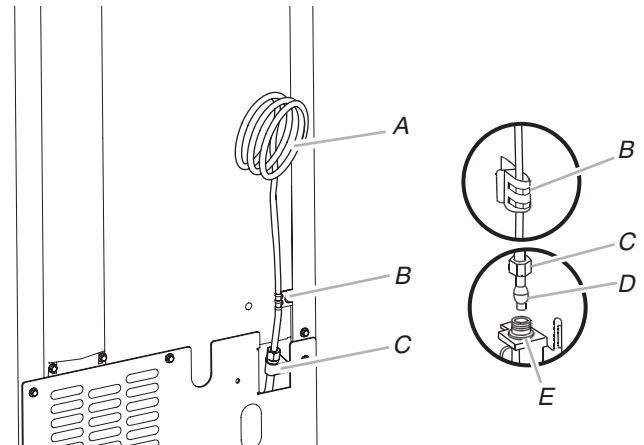
### Drain Cap



A. Drain cap

5. If ice maker is built into cabinets, pull ice maker out of the opening.
6. Disconnect water supply line. See "Water Supply Line" illustration.

### Water Supply Line



A. 1/4" copper tubing

B. Cable clamp

C. 1/4" compression nut

D. Ferrule (sleeve)

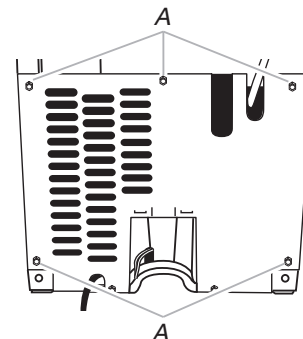
E. Ice maker connection

### Drain Pump Installation

**NOTE:** Do not kink, smash or damage tubes or wires during installation.

1. Unplug ice maker or disconnect power.
2. Remove rear panel. See "Rear Panel" illustration for 5 screw locations. Pull rear panel away from the drain tube and discard.

### Rear Panel



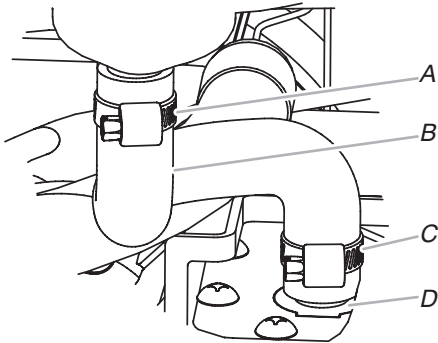
A. Screw locations

- Remove the old drain tube and clamp attached to the ice maker bin.
- Install new drain tube (5/8" I.D. x 5 1/8") from ice maker bin to drain pump reservoir inlet using new adjustable clamps. See "Drain Tube" illustration.

**NOTES:**

- Do not kink.
- Trim tube length if required.

**Drain Tube**

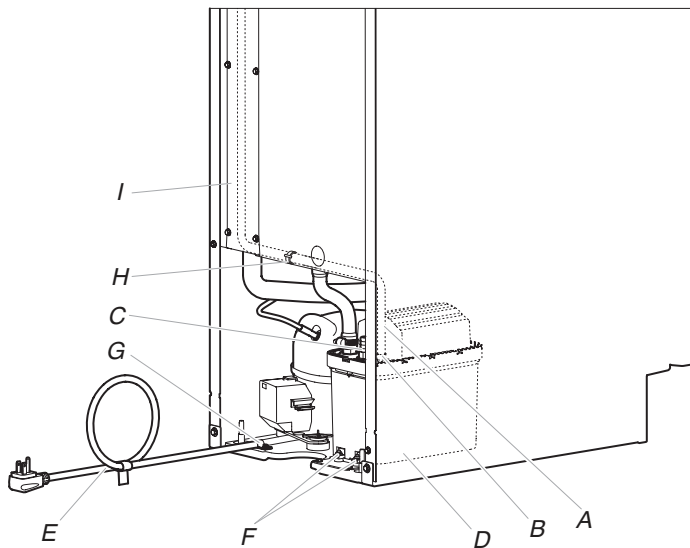


- A. 7/8" adjustable hose clamp      C. 7/8" adjustable hose clamp  
 B. Drain tube (ice bin to drain pump)      D. Drain pump reservoir inlet

- Install vent tube (5/16" I.D. x 32" [81 cm]) to drain pump reservoir vent. Use one of the supplied 5/8" small adjustable clamp. See "Parts Locations" illustration.

**NOTE:** Do not install household drain tube at this time.

**Parts Locations**



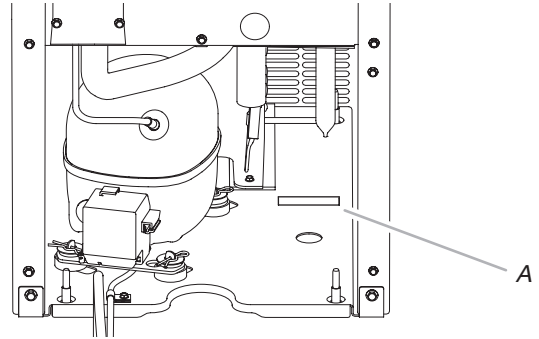
- A. Vent tube      F. #8-32 x 3/8" pump mounting screws  
 B. 5/8" hose clamp      G. Drain pump power cord, clamp and screw  
 C. Drain pump discharge tube      H. Plastic retainer  
 D. Drain pump      I. Wiring cover  
 E. Ice maker unit power cord

- Remove power cord clamp and ground screw attached to ice maker power cord, which is mounted to the unit base. See "Parts Locations" illustration.

**NOTE:** Clamp and screw will be reused.

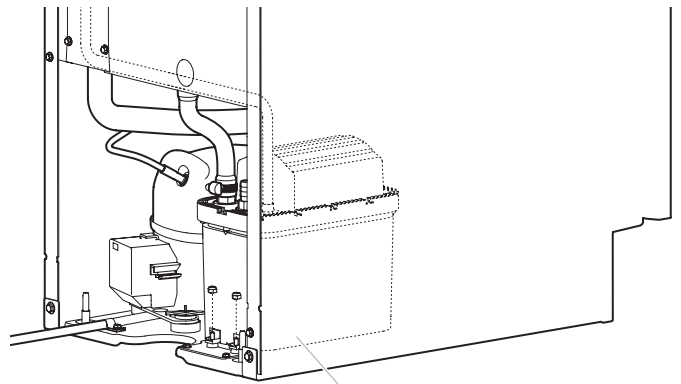
- Slide drain pump into the ice maker base on the right side. The pump mounting tab should slip into the rectangular slot in the ice maker base. It will be necessary to tip the pump slightly to slip into the slot. See "Drain Pump Mounting Tab Slot" illustration.

**Drain Pump Mounting Tab Slot**



A. Mounting tab slot

**Drain Pump Installed**

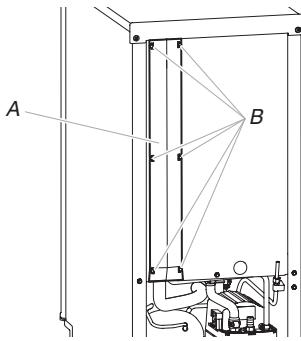


A. Drain pump installed

- Align the 2 screw holes at the rear of the pump. Use two #8-32 x 3/8" screws, supplied. See "Parts Locations" illustration.
- Connect drain tube to ice maker bin outlet (5/8" I.D.), using 7/8" adjustable clamp, supplied. See "Drain Tube" illustration.
- Coil ice maker power cord into a 4" (10.2 cm) diameter coil. Wrap electrical tape around the power cord in several places to keep the cord in a coil. Locate coiled power cord between the drain pump and side of enclosure and plug into the receptacle of the drain pump. See "Parts Locations" illustration.
- Attach the drain pump power cord to ice maker unit base with clamp and screw (removed in Step 6) that was used to attach ice maker power cord. See "Parts Locations" illustration.
- Place new rear panel (small one for 15" ice makers, large one for 18") against the back of the ice maker. Route the vent tube and drain pump discharge tube through cutouts in the rear panel.
- Secure rear panel with original screws. See "Rear Panel" illustration.



14. Remove wiring cover. Refer following illustration for location of the screws.



A. Wiring cover  
B. Screws

15. Route vent tube through plastic retainer that is located underneath top deck in open pump area as shown in illustration. Using cable tie, tie the vent tube to the black suction tube which is located behind the wiring cover. Refer "Vent Tube" illustration.

16. Secure wiring cover back in place.

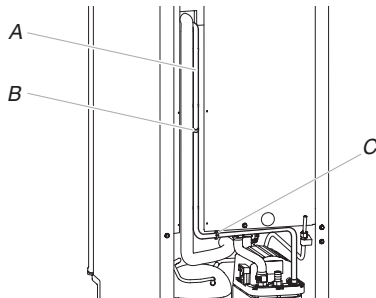
17. Attach 1/2" I.D. x 10 ft (3 m) drain tube to pump discharge tube. See "Parts Locations" illustration.

**NOTE:** Do not connect outlet end of drain tube to a closed pipe system to keep drain water from backing up into the ice maker.

18. Connect ice maker to water supply and install ice maker as specified by the product installation instructions.

#### Vent Tube

**NOTE:** Do not pinch, kink or damage the vent tube. Check that it is not damaged or pinched or kinked between the cabinet and the ice maker.



A. Vent tube  
B. Cable tie  
C. Plastic retainer

19. Check all connections for leaks.

## ⚠ WARNING



### Electrical Shock Hazard

**Plug into a grounded 3 prong outlet.**

**Do not remove ground prong.**

**Do not use an adapter.**

**Do not use an extension cord.**

**Failure to follow these instructions can result in death, fire, or electrical shock.**

20. Plug in ice maker or reconnect power.

21. Turn on ice maker.

22. Wait for rinsing cycle, approximately 5 minutes, to be sure the ice maker is operating properly.

## Drain Connection

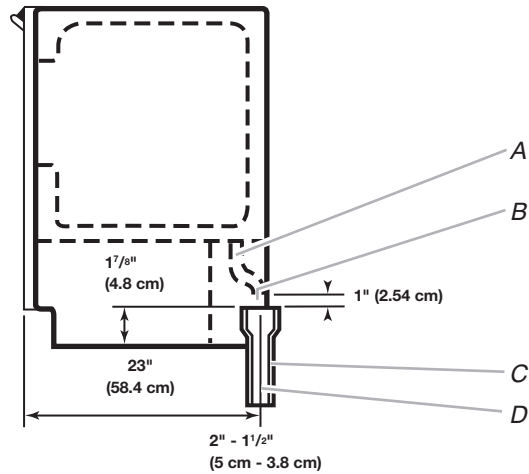
### Gravity Drain System

Connect the ice maker drain to your drain in accordance with all state and local codes and ordinances. If the ice maker is provided with a gravity drain system, follow these guidelines when installing drain lines. This will help keep water from flowing back into the ice maker storage bin and potentially flowing onto the floor, causing water damage.

- Drain lines must have a minimum of 5/8" (15.88 mm) I.D. (inside diameter).
- Drain lines must have a 1" drop per 48" (2.54 cm drop per 122 cm) of run or 1/4" drop per 12" (6.35 mm per 30.48 cm) of run and must not have low points where water can settle.
- The floor drains must be large enough to accommodate drainage from all drains.
- The ideal installation has a standpipe with a 1½" (3.81 cm) to 2" (5.08 cm) PVC drain reducer installed directly below the outlet of the drain tube as shown. You must maintain a 1" (2.54 cm) air gap between the drain hose and the standpipe.
- Do not connect the outlet end of the drain tube to a closed pipe system to keep drain water from backing up into the ice maker.

**IMPORTANT:** A drain pump is necessary when a floor drain is not available. A Drain Pump kit, Part Number 1901A, is available for purchase.

## Side View



- A. Drain hose  
B. 1" (2.54 cm) air gap  
C. PVC drain reducer  
D. Center of drain should be 23" (58.4 cm) from front of door, with or without the 3/4" (1.91 cm) panel on the door. The drain should also be centered from left to right (7<sup>3</sup>/<sub>16</sub>" [18.56 cm] from either side of the ice maker).

## Drain Pump System (on some models)

### IMPORTANT:

- Connect the ice maker drain to your drain in accordance with the International Plumbing Code and any local codes and ordinances.
- The drain pump discharge line must terminate at an open sited drain.
  - Maximum rise 10 ft (3.1 m)
  - Maximum run 100 ft (30.5 m)

### NOTES:

- If the drain hose becomes twisted and water cannot drain, your ice maker will not work.
- It may be desirable to insulate the drain line thoroughly up to the drain inlet. An Insulation Sleeve kit, Part Number W10365792, is available for purchase.
- Do not connect the outlet end of the drain tube to a closed pipe system to keep drain water from backing up into the ice maker.
- Drain pump maximum capability: For every 1 ft (0.31 m) of rise, subtract 10 ft (3.1 m) of maximum allowable run.

## Connecting the Drain

After ensuring that the drain system is adequate, follow these steps to properly place the ice maker:

### ⚠ WARNING



#### Electrical Shock Hazard

- Plug into a grounded 3 prong outlet.
- Do not remove ground prong.
- Do not use an adapter.
- Do not use an extension cord.
- Failure to follow these instructions can result in death, fire, or electrical shock.

1. Plug into a grounded 3 prong outlet.

### ⚠ WARNING

#### Excessive Weight Hazard

- Use two or more people to move and install ice maker.
- Failure to do so can result in back or other injury.

2. **Style 1**— For gravity drain system, push the ice maker into position so that the ice maker drain tube is positioned over the PVC drain reducer. See "Gravity Drain System."  
**Style 2**— For drain pump system connect the drain pump outlet hose to the drain. See "Drain Pump System."
3. Recheck the ice maker to be sure that it is level. See "Leveling."
4. If it is required by your local sanitation code, seal the cabinet to the floor with an approved caulking compound after all water and electrical connections have been made.

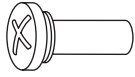


## Door Reversal—Side Swing Only

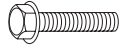
### Tools Needed

Gather the required tools and parts before starting installation.

- 5/16" wrench
- Flat putty knife
- 1/4" wrench
- Phillips screwdriver



Hinge pin



5/16" hex-head hinge screw

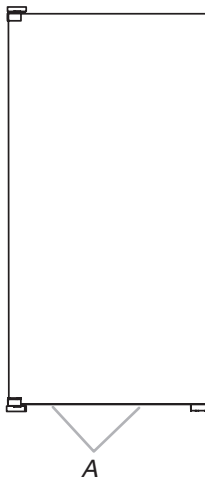


Handle screw



End cap screw

### Remove Stainless Steel Door Wrap Panel (on some models)



A. Hex-head screws

1. Remove the two hex-head screws located under the stainless steel door wrap panel flange on the bottom of the door.
2. Pull up and outward on the door wrap panel from the bottom.
3. Rotate the door wrap panel until it separates from the door and pull up.

**NOTE:** Be sure the edge guards do not separate from the door wrap panel.

## Door Stop and End-Cap Reversal

### ⚠ WARNING



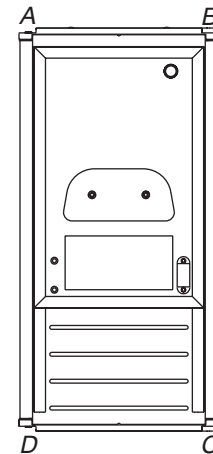
#### Electrical Shock Hazard

**Disconnect power before servicing.**

**Replace all parts and panels before operating.**

**Failure to do so can result in death or electrical shock.**

1. Unplug the ice maker or disconnect power.
2. Remove the handle screws and handle (on some models).
3. Remove the hinge pin from the top hinge.
4. Remove the door from the hinges and replace the top hinge pin.
5. Remove the screw and door stop at corner A. Remove the screw and end cap at corner C. Place the door stop at corner C, and tighten screw. Place the end cap at corner A, and tighten screw.
6. Remove the screw and door stop at corner D. Remove the screw and end cap at corner B. Place the door stop at corner B, and tighten screw. Place the end cap at corner D, and tighten screw.



A. Top corner open (no end cap)

C. Beginning bottom corner end cap

B. Beginning top corner end cap

D. Bottom corner open (no end cap)

7. Depending on your model, the brand badge for the front door of your ice maker may be in the package with the Use and Care Guide. Fasten the brand badge to the door.
8. Set the door aside.

---

## Reverse Hinges

---

1. Unscrew and remove the top hinge. Replace the screws in the empty hinge holes.
  2. Remove the screws from the bottom of the opposite side of the ice maker cabinet. Turn the top hinge upside down so that the hinge pin points up. Place the hinge on the bottom opposite side of the ice maker and tighten screws.
  3. Remove the "old" bottom hinge screws and hinge. Replace the screws in the empty hinge holes.
  4. Remove the screws from the top of the opposite side of the ice maker cabinet. Turn the hinge upside down so that the hinge pin points down. Place the hinge on the top opposite side of the ice maker and tighten the screws.
  5. Remove the top hinge pin.
- 

## Replace Door

---

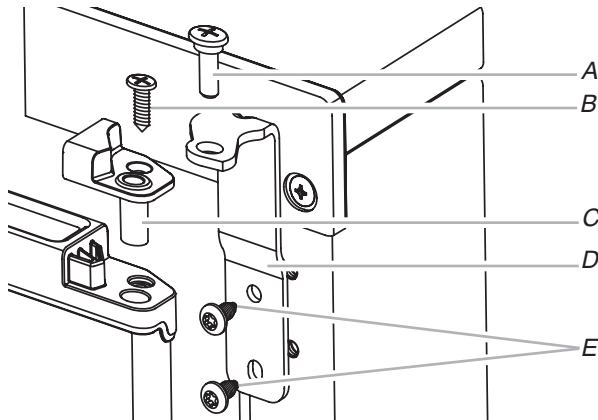
1. Place the door on the bottom hinge pin.
  2. Align the door with the top hinge hole and replace the top hinge pin.
  3. Replace the handle and handle screws.
- 

## Replace Door Wrap (on some models)

---

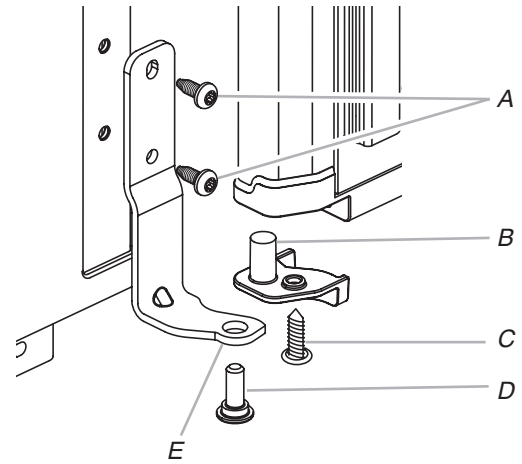
1. Place the door wrap flange onto the door top and ensure that it fits correctly.
  2. Rotate the door wrap downward until it covers the door surface completely.
  3. Install the two hex-head screws into the bottom of the door.
- 

### Top Hinge



- A. Hinge pin  
B. Phillips-head countersink screw  
C. Hinge pin sleeve  
D. Hinge  
E. Hex-head hinge screw

### Bottom Hinge

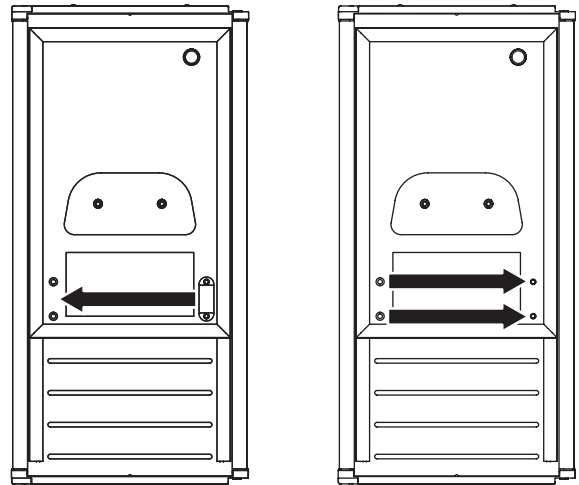


- A. Hex-head hinge screw  
B. Hinge pin sleeve  
C. Phillips-head countersink screw  
D. Hinge pin  
E. Hinge
- 

## Reverse Door Catch


---

1. Remove the white decorative screws from the opposite side of the door and set aside.
2. Remove the screws from the magnetic door catch and place them on the opposite side of the door.



3. Install the white decorative screws on the opposite side of the door.

**⚠ WARNING**



**Electrical Shock Hazard**

**Plug into a grounded 3 prong outlet.**

**Do not remove ground prong.**

**Do not use an adapter.**

**Do not use an extension cord.**

**Failure to follow these instructions can result in death, fire, or electrical shock.**

4. Plug into a grounded 3 prong outlet.

## Leveling

It is important for the ice maker to be level in order to work properly. Depending upon where you install the ice maker, you may need to make several adjustments to level it. You may also use the leveling legs to lower the height of the ice maker for undercounter installations.

### Tools Needed

Gather the required tools and parts before starting installation.

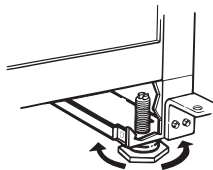
- Level
- Adjustable wrench

**NOTE:** It is easier to adjust the leveling legs if you have another person to assist you.

1. Move the ice maker to its final location.
 

**NOTE:** If this is a built-in installation, move the ice maker as close as possible to the final location.
2. Place the level on top of the product to see whether the ice maker is level from front to back and side to side.
3. Push up on the top front of the ice maker, and then locate the leveling screws that are on the bottom front of the ice maker.
4. Using an adjustable wrench, change the height of the legs as follows:
  - Turn the leveling leg to the right to lower that side of the ice maker.
  - Turn the leveling leg to the left to raise that side of the ice maker.

**NOTE:** The ice maker should not wobble. Use shims to add stability when needed.



5. Push up on the top rear of the ice maker and locate the leveling legs that are on the bottom rear of the ice maker.
6. Follow the instructions in Step 4 to change the height of the legs.

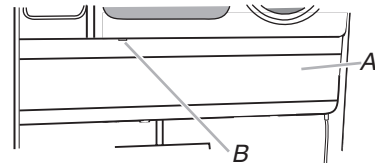
7. Use the level to recheck the ice maker to see that it is even from front to back and side to side. If the ice maker is not level, repeat steps 2 to 5. If the ice maker is level, go to the "Connect Water Supply" section.

## Cleaning

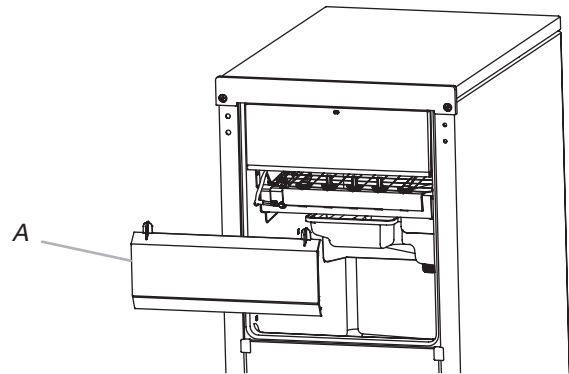
### Interior Components

1. Unplug ice maker or disconnect power.
2. Open the storage bin door and remove any ice that is in the bin.
3. Remove the drain cap from the water pan and drain thoroughly. Replace the drain cap securely on the water pan. If the drain cap is loose, water will empty from the water pan, and you will have either thin ice or no ice.
4. Pull out on the bottom of the cutter grid cover until the snaps release to remove.
 

**NOTE:** On some models, remove the screw from the cutter grid cover.
5. Unplug the wiring harness from the left side of the cutter grid.



A. Cutter grid cover  
B. Screw (on some models)

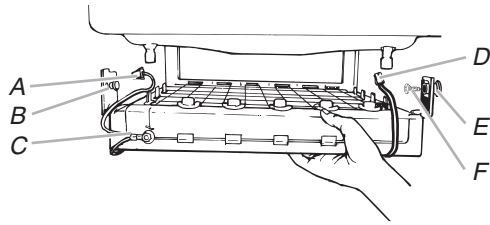


A. Cutter grid cover

6. Unplug the ice level sensor from the right side of the cutter grid. Pull the ice level sensor down and forward away from the cutter grid.

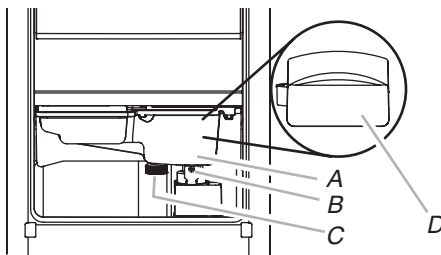
- Remove the right-hand and left-hand screws. Lift the cutter grid up and out.

**NOTE:** Make sure the plastic spacer from the right-hand side of the cutter grid bracket stays with the cutter grid.



- |                        |                             |
|------------------------|-----------------------------|
| A. Cutter grid harness | D. Ice level sensor harness |
| B. Screw               | E. Plastic spacer           |
| C. Cutter grid         | F. Screw                    |

- Remove the mounting screw that holds the water pan in place. Pull out on the front of the water pan.
- Disconnect the pump bracket from the water pan and unplug the water pan drain pump.

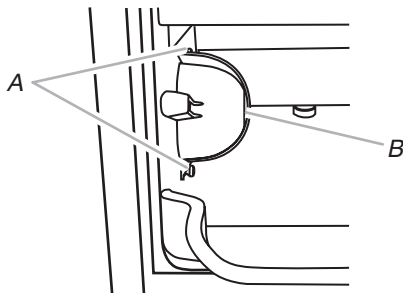


- |                    |                     |
|--------------------|---------------------|
| A. Water pan       | C. Drain cap        |
| B. Water pan screw | D. Drain pump cover |

- Remove, clean and replace the ice scoop holder and ice scoop.
- NOTE:** On some models, the ice scoop holder is located in the upper left of the unit, and on other models, the ice scoop holder is located in the lower left of the unit.

**On Some Models**

- Remove the holder by removing the 2 screws.
- Wash the ice scoop holder and ice scoop along with the other interior components using the following instructions.
- Replace the ice scoop holder by replacing the screws.

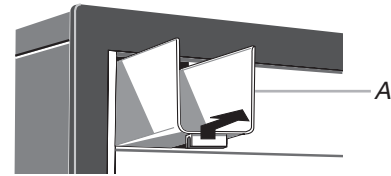


- |                     |
|---------------------|
| A. Screw            |
| B. Ice scoop holder |

**On Some Models**

- After removing the ice scoop, remove the holder by removing the 2 screws.
- NOTE:** On some models, remove the holder by lifting up on the ice scoop holder and then out.

- Wash the ice scoop holder along with the other interior components using the following instructions.
- Replace the ice scoop holder by replacing the screws or on some models, pushing in on the holder and then down.



A. Ice scoop holder

- Wash the interior components (cutter grid, exterior of hoses, and water pan) and the storage bin, door gasket, ice scoop, and ice scoop holder with mild soap or detergent and warm water. Rinse in clean water. Then clean the same parts with a solution of 1 tbs (15 mL) of household bleach in 1 gal. (3.8 L) warm water. Rinse again thoroughly in clean water.
- NOTE:** Do not remove hoses. Do not wash plastic parts in dishwasher. They cannot withstand temperatures above 145°F (63°C).
- To replace the water pan, set the water pan inside the ice bin. Hook up the water pan pump. Snap the pump bracket back onto the water pan and place back into position. Secure the water pan by replacing the mounting screw.
  - Check the following:
    - Drain cap from the water pan is securely in place. If the drain cap is loose, water will empty from the water pan, and you will have either thin ice or no ice.
    - Hose from water pan is inserted into storage bin drain opening.
  - Slide the cutter grid back into place and secure it by replacing the right-hand screw and plastic spacer. Then tighten the left-hand screw. Reconnect the cutter grid harness and the ice level sensor harness.
  - Replace the cutter grid cover.
- NOTE:** On some models, replace the cutter grid cover using the screw removed earlier.
- Gently wipe the control panel with a soft, clean dishcloth using warm water and a mild liquid dish detergent.
  - Plug in ice maker or reconnect power.
  - After cleaning, make sure that all controls are set properly and that no control indicators are flashing.

# SÉCURITÉ DE LA MACHINE À GLAÇONS

## Votre sécurité et celle des autres est très importante.

Nous donnons de nombreux messages de sécurité importants dans ce manuel et sur votre appareil ménager. Assurez-vous de toujours lire tous les messages de sécurité et de vous y conformer.



Voici le symbole d'alerte de sécurité.

Ce symbole d'alerte de sécurité vous signale les dangers potentiels de décès et de blessures graves à vous et à d'autres.

Tous les messages de sécurité suivront le symbole d'alerte de sécurité et le mot "DANGER" ou "AVERTISSEMENT". Ces mots signifient :

**⚠ DANGER**

**Risque possible de décès ou de blessure grave si vous ne suivez pas immédiatement les instructions.**

**⚠ AVERTISSEMENT**

**Risque possible de décès ou de blessure grave si vous ne suivez pas les instructions.**

Tous les messages de sécurité vous diront quel est le danger potentiel et vous disent comment réduire le risque de blessure et ce qui peut se produire en cas de non-respect des instructions.

## IMPORTANTES INSTRUCTIONS DE SÉCURITÉ

**AVERTISSEMENT :** Pour réduire le risque d'incendie, de choc électrique ou de blessures lors de l'utilisation de la machine à glaçons, il convient d'observer certaines précautions élémentaires :

- Brancher sur une prise à 3 alvéoles reliée à la terre.
- Ne pas enlever la broche de liaison à la terre.
- Ne pas utiliser un adaptateur.
- Ne pas utiliser un câble de rallonge.
- Débrancher la source de courant électrique avant de nettoyer manuellement les composants intérieurs.
- Déconnecter la source de courant électrique avant le nettoyage.
- Déconnecter la source de courant électrique avant l'entretien.
- Replacer pièces et panneaux avant de faire la remise en marche.

**CONSERVEZ CES INSTRUCTIONS**

Avertissements de la proposition 65 de l'État de Californie :

**AVERTISSEMENT :** Ce produit contient au moins un produit chimique connu par l'État de Californie pour être à l'origine de cancers.

**AVERTISSEMENT :** Ce produit contient au moins un produit chimique connu par l'État de Californie pour être à l'origine de malformations et autres déficiences de naissance.

# INSTRUCTIONS D'INSTALLATION

## Déballage de la machine à glaçons

### **AVERTISSEMENT**

#### Risque du poids excessif

**Utiliser deux ou plus de personnes pour déplacer et installer la machine à glaçons.**

**Le non-respect de cette instruction peut causer une blessure au dos ou d'autre blessure.**

## Enlèvement des matériaux d'emballage

Enlever le ruban adhésif et la colle de la machine à glaçons avant de l'utiliser.

- Pour enlever tout résidu de ruban adhésif ou de colle de la surface extérieure de la machine à glaçons, frotter vivement la zone avec le pouce. Les résidus de ruban adhésif et de colle peuvent aussi facilement être enlevés en frottant à l'aide d'un doigt une petite quantité de savon liquide à vaisselle sur l'adhésif. Rincer à l'eau tiède et sécher.
- Ne pas utiliser d'instruments coupants, d'alcool à friction, de liquides inflammables ou de nettoyants abrasifs pour enlever le ruban adhésif ou la colle. Ne pas utiliser d'eau de Javel sur les surfaces en acier inoxydable de la machine à glaçons. Ces produits peuvent endommager la surface de votre machine à glaçons.

## Nettoyage avant utilisation

Après avoir enlevé tous les matériaux d'emballage, nettoyer l'intérieur de la machine à glaçons avant de l'utiliser. Voir les instructions de nettoyage dans la section "Entretien de la machine à glaçons".

## Exigences d'emplacement

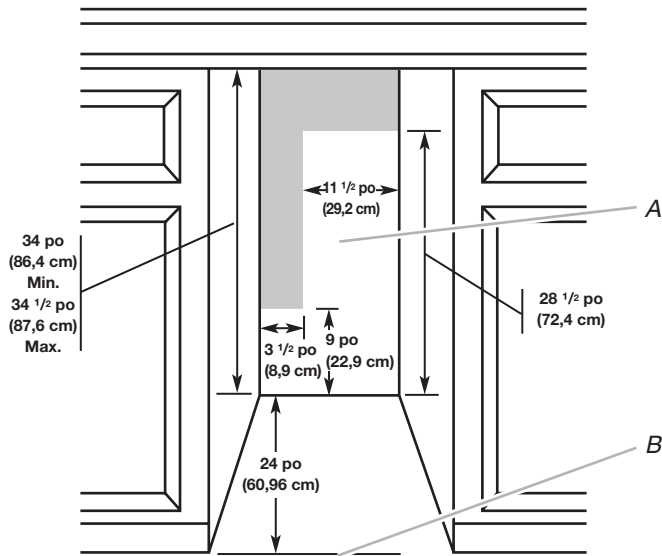
- Pour assurer une bonne aération de votre appareil, l'avant doit être complètement dégagé. Les autres côtés et le dessus de l'appareil peuvent être dissimulés, mais l'installation doit permettre de tirer la machine à glaçons vers l'avant pour y faire l'entretien requis.
- L'installation de la machine à glaçons requiert un tuyau d'alimentation en eau en cuivre de 1/4 po (6,35 mm) de diamètre extérieur avec robinet d'arrêt ou la canalisation d'alimentation de Whirlpool (numéro de pièce : 8212547RB) et une pompe de vidange approuvée par Whirlpool (numéro de pièce : 1901A) pour diriger l'eau vers un drain existant.
- Choisir un endroit bien aéré où la température est supérieure à 13 °C (55 °F) et inférieure à 43 °C (110 °F). Les meilleurs résultats sont obtenus lorsque la température est comprise entre 21 °C et 32 °C (70 °F et 90 °F).
- La machine à glaçons doit être installée dans un endroit protégé des éléments comme le vent, la pluie, les éclaboussures d'eau ou les renversements.
- Lorsque l'appareil est installé sous un comptoir, observer les dimensions d'ouverture recommandées. Positionner les entrées électrique et d'eau aux emplacements recommandés.

### REMARQUES :

- Vérifier que le cordon d'alimentation n'est pas endommagé, déformé ou coincé entre la machine à glaçons et la caisse de l'appareil.
- Vérifier que le tuyau d'entrée d'eau n'est pas endommagé, déformé ou pincé entre la machine à glaçons et l'armoire.
- Vérifier que la canalisation d'évacuation (sur certains modèles) n'est pas endommagée, déformée ou coincée entre la machine à glaçons et la caisse de l'appareil.



- Vérifier que la porte de la machine à glaçon n'arrive pas en affleurement avec les armoires pour éviter les problèmes lors de l'ouverture de la machine à glaçons.



A. Zone recommandée pour les composants électriques et de plomberie  
B. Niveau du plancher

- Choisir un emplacement où le plancher est de niveau. La machine à glaçon doit être de niveau pour fonctionner correctement. Au besoin, il est possible de régler la hauteur de la machine à glaçons en changeant la hauteur des pattes de nivellement. Voir la section "Réglage de l'aplomb".

**IMPORTANT :** Si ce produit est connecté à une prise munie d'un disjoncteur de fuite à la terre, un déclenchement intempestif peut se produire et causer une perte de refroidissement. La qualité des glaçons pourrait en être affectée. Si un déclenchement intempestif se produit et si les glaçons semblent de piètre qualité, jeter le tout.

#### Méthode recommandée de liaison à la terre

La machine à glaçons doit être reliée à la terre. Cette machine à glaçons est équipée d'un cordon d'alimentation électrique avec fiche à trois broches (liaison à la terre). Pour réduire les risques de décharge électrique, le cordon d'alimentation électrique doit être branché à une prise électrique à trois alvéoles avec mise à la terre respectant le National Electrical Code, ainsi que les réglementations et codes locaux. Si une telle prise n'est pas accessible, le client a la responsabilité de faire installer par un électricien qualifié une prise de courant correctement à trois alvéoles reliée à la terre.

## Spécifications de l'alimentation en eau

S'assurer que les tuyaux d'alimentation en eau sont isolés contre le gel. La formation de glace dans les canalisations d'arrivée d'eau peut entraîner une élévation de la pression en eau et endommager la machine à glaçons ou le domicile. La garantie de l'appareil ne couvre pas les dommages imputables au gel de la canalisation d'arrivée d'eau.

Une alimentation en eau froide avec une pression entre 30 et 120 lb/po<sup>2</sup> (207 à 827 kPa) est nécessaire pour faire fonctionner la machine à glaçons. Pour toute question au sujet de la pression de l'eau, faire appel à un plombier qualifié agréé.

#### Alimentation en eau par osmose inverse

##### IMPORTANT :

- Un système de filtration de l'eau par osmose inverse n'est pas recommandé pour les machines à glaçons avec pompe de vidange.
- Pour les systèmes de vidange par gravité seulement.
- La pression de l'alimentation en eau entre le système d'osmose inverse et le robinet d'arrivée d'eau de la machine à glaçons doit se situer entre 30 et 120 lb/po<sup>2</sup> (207 à 827 kPa).

Si un système de filtration de l'eau par osmose inverse est raccordé à l'alimentation en eau froide, la pression de l'eau au système doit être d'un minimum de 40 à 60 lb/po<sup>2</sup> (276 à 414 kPa).

**REMARQUE :** Le système par osmose inverse doit fournir 3,8 L (1 gal) d'eau à l'heure à la machine à glaçons pour lui permettre de fonctionner correctement. Si le système par osmose inverse est nécessaire, seul un système capable de fournir toute la maison et d'alimenter de façon constante en eau la machine à glaçons est recommandé. Les systèmes par osmose inverse sur robinet ne sont pas capables de fournir l'alimentation constante en eau requise par la machine à glaçons.

Si la pression d'eau au système de filtration par osmose inverse est inférieure à 40 - 60 lb/po<sup>2</sup> (276 - 414 kPa) :

- Vérifier que le filtre à sédiment dans le système à osmose inverse n'est pas obstrué. Remplacer le filtre si nécessaire.
- Laisser le réservoir du système d'osmose inverse se remplir après une utilisation intense.

Pour toute question au sujet de la pression de l'eau, faire appel à un plombier qualifié agréé.

## Spécifications électriques

### ⚠ AVERTISSEMENT



#### Risque de choc électrique

- Brancher sur une prise à 3 alvéoles reliée à la terre.**
- Ne pas enlever la broche de liaison à la terre.**
- Ne pas utiliser un adaptateur.**
- Ne pas utiliser un câble de rallonge.**
- Le non-respect de ces instructions peut causer un décès, un incendie ou un choc électrique.**

Avant de placer la machine à glaçons à son emplacement final, il est important de s'assurer d'avoir le raccordement électrique approprié :

Une alimentation de 115 V CA à 60 Hz reliée à la terre et protégée par un fusible de 15 ou 20 A qui respecte le National Electrical Code, ainsi que les réglementations et codes locaux est requise.

Il est recommandé de réserver un circuit spécial à la machine à glaçons. Utiliser une prise où l'alimentation ne peut pas être coupée à l'aide d'un interrupteur ou d'une chaînette.

## Vacances ou longue période d'inutilisation

- Lorsque la machine à glaçons n'est pas utilisée pendant une longue période de temps, fermer l'alimentation en eau et en électricité de la machine.
- S'assurer que les tuyaux d'alimentation en eau sont isolés contre le gel. La formation de glace dans les canalisations d'arrivée d'eau peut entraîner une élévation de la pression en eau et endommager la machine à glaçons ou le domicile. La garantie de l'appareil ne couvre pas les dommages imputables au gel.

## Raccordement à la canalisation d'eau

Lire toutes les instructions avant de commencer.

### IMPORTANT :

- Réaliser l'installation de plomberie conformément aux exigences du International Plumbing Code et des normes et codes locaux en vigueur.
- Utiliser un tuyau en cuivre ou la canalisation d'alimentation de Whirlpool (numéro de pièce 8212547RP) et vérifier qu'il n'y a pas de fuites.
- Installer des tuyaux seulement là où les températures resteront au-dessus du point de congélation.

### Outils nécessaires

Rassembler les outils et pièces nécessaires avant d'entreprendre l'installation :

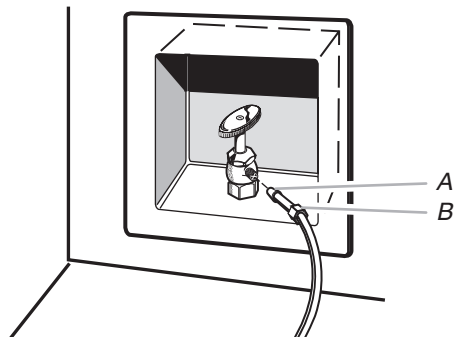
- Tournevis à lame plate
- Clés plates de 7/16 po et 1/2 po ou deux clés à molette
- Tourne-écrou de 1/4 po

**REMARQUE :** Ne pas employer de robinet d'arrêt à étrier de 3/16 po (4,76 mm) ou de type à percer – ils réduisent le débit d'eau et s'obstruent plus facilement.

### Raccordement à la canalisation d'eau

1. Couper l'alimentation principale en eau. Ouvrir le robinet le plus proche assez longtemps pour vider l'eau du tuyau.
2. À l'aide d'une canalisation d'entrée d'eau de 1/2 po et d'un robinet d'arrêt quart de tour ou équivalent, raccorder la machine à eau comme indiqué.

**REMARQUE :** Pour que la machine à glaçons reçoive un débit d'eau suffisant, on recommande l'emploi d'une canalisation d'alimentation domestique en cuivre d'un diamètre minimum de 1/2 po.



A. Renflement  
B. Écrou

3. On est maintenant prêt à connecter le tuyau en cuivre. Utiliser un tuyau en cuivre flexible d'un diamètre extérieur de 1/4 po (6,35 mm) pour l'alimentation en eau froide.
  - S'assurer d'avoir la longueur nécessaire pour une installation correcte. Il faut s'assurer que les deux extrémités du tuyau en cuivre sont bien coupées à angle droit.

- Installer le manchon et l'écrou à compression sur le tuyau en cuivre (voir l'illustration). Insérer l'extrémité du tuyau aussi profondément que possible dans l'extrémité de sortie et à l'équerre. Visser l'écrou de compression sur l'extrémité de sortie du raccord à l'aide d'une clé à molette. Ne pas serrer excessivement.

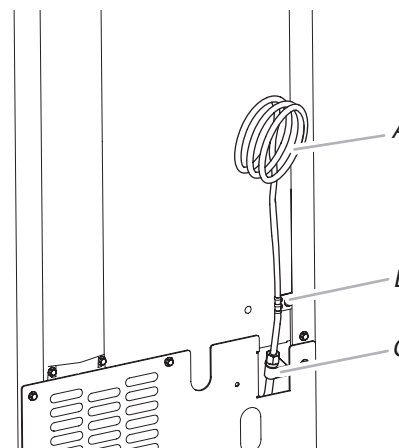


A. Bague de compression C. Tube en cuivre  
B. Écrou de compression

4. Placer l'extrémité libre de la canalisation dans un contenant ou un évier et rétablir l'alimentation principale en eau pour nettoyer le tuyau jusqu'à ce que l'eau soit limpide. Fermer le robinet d'arrêt de la canalisation d'eau.
 

**IMPORTANT :** Toujours vidanger le tuyau d'alimentation en eau avant de faire le raccordement final sur l'entrée du robinet pour éviter tout mauvais fonctionnement éventuel du robinet.
5. Le tuyau d'entrée d'eau est situé sur le côté arrière de la machine à glaçons comme présenté dans l'illustration "Vue arrière". Plier le tuyau de cuivre pour l'aligner avec le tuyau d'entrée d'eau. Laisser le serpentín de tuyau en cuivre pour permettre de sortir la machine à glaçons de l'armoire ou du mur en cas d'entretien.

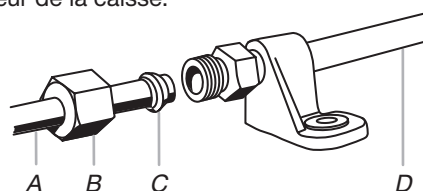
### Vue arrière



A. Tube en cuivre C. Bride de tuyau d'entrée d'eau et raccord de canalisation  
B. Bride du tuyau du robinet

6. Retirer et jeter le petit tube de plastique noir de l'extrémité du point d'entrée de la canalisation d'eau.
7. Enfiler l'écrou sur l'extrémité du tuyau. Serrer l'écrou manuellement. Ensuite, le serrer deux tours de plus avec une clé. Ne pas serrer excessivement.

**REMARQUE :** Pour éviter les vibrations, veiller à ce que les tuyaux en cuivre ne soient pas en contact avec les parois latérales de la machine à glaçons ou d'autres composants à l'intérieur de la caisse.



A. Canalisation jusqu'à la machine à glaçons C. Virole (à acheter)  
B. Écrou (à acheter) D. Canalisation fournie provenant de la machine à glaçons

8. Installer la bride de la canalisation d'alimentation en eau bien autour de la canalisation pour réduire la pression sur le raccord.
9. OUVRIR le robinet d'arrêt.
10. Vérifier qu'il n'y a pas de fuites. Serrer tous les raccords (y compris les raccords du robinet) ou les écrous qui présentent des fuites.

## Installation de la pompe de vidange (sur certains modèles)

### REMARQUES :

- Raccorder la pompe de vidange au drain en respectant les réglementations et codes locaux et provinciaux.
- L'isolation du tube de vidange jusqu'à la sortie de vidange pourrait être nécessaire pour réduire la condensation dans le tube de vidange. Il est possible d'acheter une trousse d'isolation de tube (numéro de pièce W10365792).
- La pompe de vidange est conçue pour pomper de l'eau jusqu'à une hauteur de 10 pi (3 m). N'utiliser que la trousse de pompe de vidange approuvée par Whirlpool (numéro de pièce 1901A).
- Ne pas raccorder l'extrémité de sortie du tuyau de vidange à un système de canalisation fermé afin d'empêcher l'eau de vidange de refouler dans la machine à glaçons.

### Contenu de la trousse :

- Trousse de pompe de vidange (numéro de pièce 1901A)
- Tube de vidange de 5/8 po de diamètre intérieur x 5 1/8 po (du bac à glaçons vers l'entrée du réservoir de la pompe de vidange)
- Tube de vidange de 1/2 po de diamètre intérieur x 10 pi (3 m) (du tuyau d'évacuation de la pompe de vidange au drain de la maison)
- Tube de ventilation de 5/16 po de diamètre intérieur x 32 po (81 cm) (du tube de ventilation du réservoir de la pompe de vidange à l'arrière de la machine à glaçons)
- (1) attache mono-usage (pour fixer le tube de ventilation au dos du tube d'aération)
- (5) vis de montage de la pompe no 8-32 x 3/8 po (pour fixer la pompe de vidange à la plaque de base et aux brides du dos de la machine à glaçons)
- Petite bride de tuyau réglable de 5/8 po (pour fixer le tuyau de ventilation à la pompe de vidange)
- (3) grande bride de tuyau réglable de 7/8 po (pour fixer le tuyau de vidange au bac de la machine à glaçons et au réservoir de la pompe de vidange)
- (2) panneau arrière
- Fiche d'instructions

## Si la machine à glaçons est déjà installée

**REMARQUE :** Si la machine à glaçons n'est pas installée, passer à la section "Installation de la pompe de vidange".

1. Placer le commutateur à la position d'arrêt.

## ⚠ AVERTISSEMENT



### Risque de choc électrique

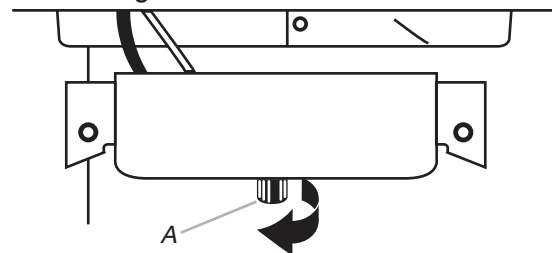
**Déconnecter la source de courant électrique avant l'entretien.**

**Replacer pièces et panneaux avant de faire la remise en marche.**

**Le non-respect de ces instructions peut causer un décès ou un choc électrique.**

2. Débrancher la machine à glaçons ou couper l'alimentation.
3. Couper l'alimentation en eau. Attendre de 5 à 10 minutes que les glaçons tombent dans le bac d'entreposage. Enlever les glaçons du bac d'entreposage.
4. Dévisser le bouchon de vidange du dessous du bac à eau situé à l'intérieur du bac d'entreposage. Laisser l'eau s'écouler entièrement. Replacer le bouchon de vidange. Voir l'illustration "Bouchon de vidange".

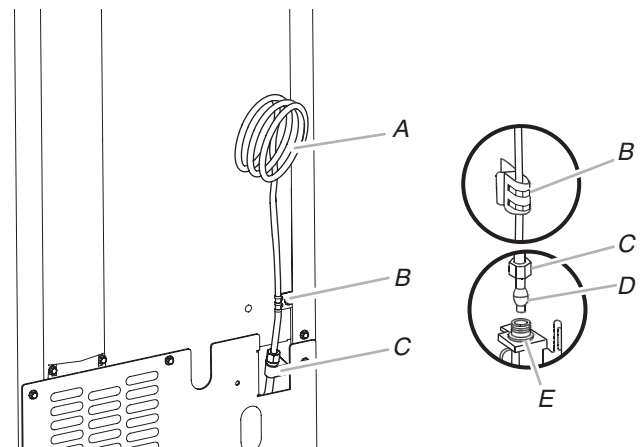
### Bouchon de vidange



A. Bouchon de vidange

5. Si la machine à glaçons est installée dans un placard, la retirer de l'ouverture.
6. Déconnecter la canalisation d'alimentation en eau. Voir l'illustration "Canalisation d'alimentation en eau".

### Canalisation d'alimentation en eau



A. Tuyau de cuivre de 1/4 po

B. Bride de câble

C. Écrou de compression de 1/4 po

D. Bague de compression (manchon)

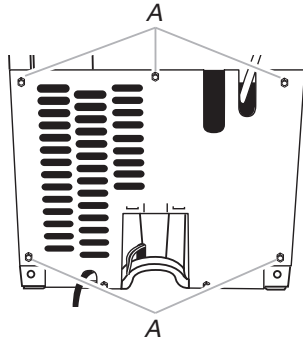
E. Raccordement de la machine à glaçons

## Installation de la pompe de vidange

**REMARQUE :** Ne pas plier, écraser ou endommager les tubes et câbles pendant l'installation.

1. Débrancher la machine à glaçons ou couper l'alimentation.
2. Retirer le panneau arrière. Voir l'illustration "Panneau arrière" pour connaître l'emplacement des 5 vis. Retirer le panneau arrière du tube de vidange et le jeter.

### Panneau arrière



A. Emplacement des vis

3. Enlever le vieux tube de vidange et la bride fixée au bac de la machine à glaçons.

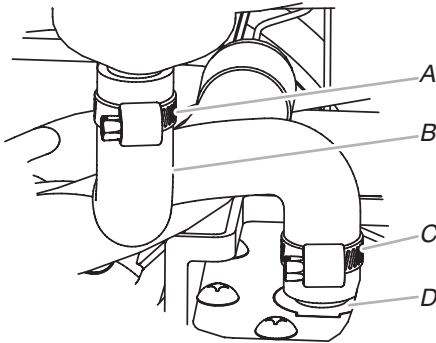
**REMARQUE :** Jeter le vieux tube de vidange et sa bride.

4. Installer le nouveau tube de vidange (5/8 po de diamètre intérieur x 5 1/8 po) du bac de la machine à glaçons au réservoir de la pompe de vidange en utilisant les nouvelles brides réglables. Voir l'illustration "Tube de vidange".

### REMARQUES :

- Ne pas plier le tube.
- Au besoin, couper à la bonne longueur.

### Tube de vidange

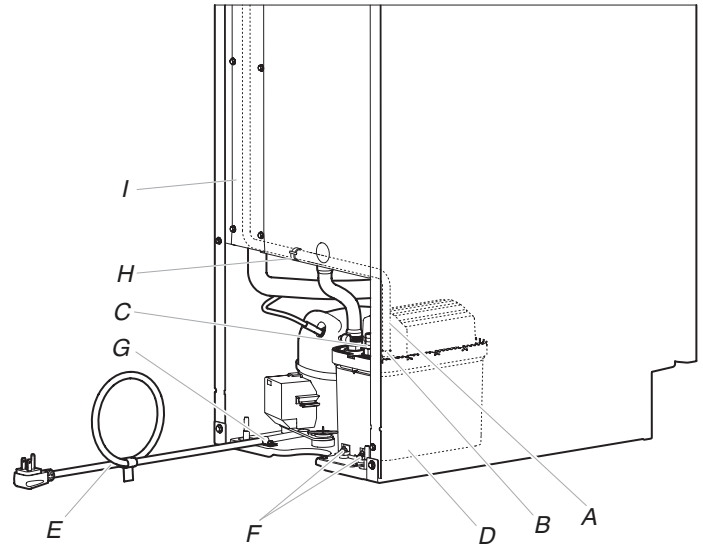


A. Bride de tuyau réglable de 7/8 po C. Bride de tuyau réglable de 7/8 po  
B. Tube de vidange (entre le bac à glaçons et la pompe de vidange) D. Entrée du réservoir de la pompe de vidange

5. Installer le tube de ventilation (5/16 po de diamètre intérieur x 32 po [81 cm]) à la ventilation du réservoir de la pompe de vidange. Utiliser l'une des petites brides réglables incluses de 5/8 po. Voir l'illustration "Emplacements des pièces".

**REMARQUE :** Attendre avant d'installer le tube de vidange vers le drain de la maison.

## Emplacements des pièces



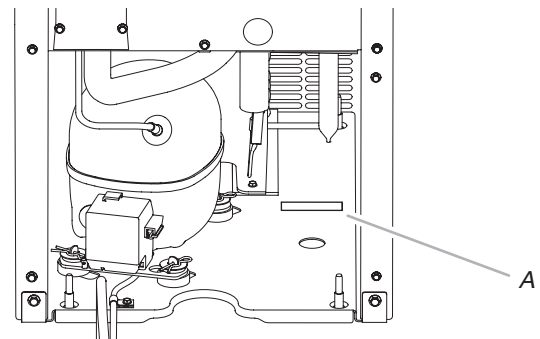
A. Tube de ventilation F. Vis de montage de la pompe no 8-32 x 3/8 po  
B. Bride de tuyau de 5/8 po G. Cordon d'alimentation de la pompe de vidange, bride et vis  
C. Tuyau d'évacuation de la pompe de vidange H. Dispositif de retenue en plastique  
D. Pompe de vidange I. Couvercle du boîtier de connexion  
E. Cordon d'alimentation de la machine à glaçons

6. Enlever la bride du cordon d'alimentation et la vis de mise à la terre qui relie le cordon d'alimentation et la base de l'appareil. Voir l'illustration "Emplacements des pièces".

**REMARQUE :** La bride et la vis seront de nouveau utilisées.

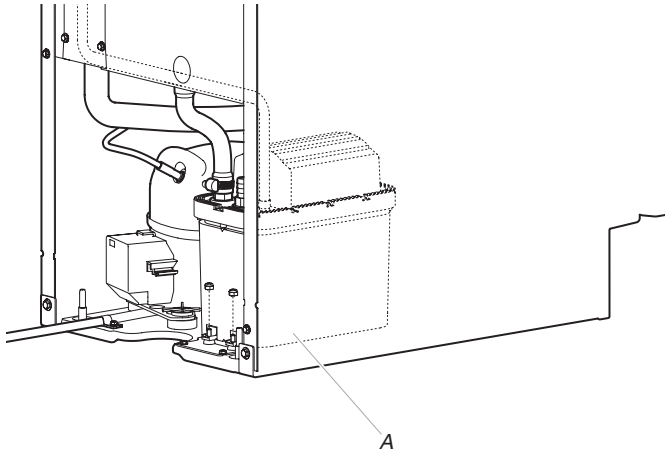
7. Glisser la pompe de vidange dans la base de la machine à glaçons, sur le côté droit. L'onglet d'installation de la pompe devrait glisser dans la fente rectangulaire de la base de la machine à glaçons. La pompe devra être légèrement inclinée pour insérer l'onglet dans la fente. Voir l'illustration "Fente pour l'onglet d'installation de la pompe de vidange".

### Fente pour l'onglet d'installation de la pompe de vidange



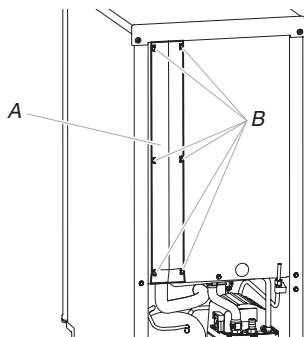
A. Fente de l'onglet de montage

## Pompe de vidange installée



A. Pompe de vidange installée

8. Aligner les 2 trous de vis situés à l'arrière de la pompe. Utiliser deux vis no 8-32 x 3/8 po (incluses). Voir l'illustration "Emplacements des pièces".
9. Raccorder le tuyau de vidange à la sortie (5/8 po de diamètre interne) du bac de la machine à glaçons à l'aide de la bride de 7/8 po fournie. Voir l'illustration "Tube de vidange".
10. Enrouler le cordon d'alimentation de la machine à glaçons pour créer un rouleau de 4 po (10,2 cm). Utiliser du ruban électrique à plusieurs endroits pour maintenir le cordon en rouleau. Placer le rouleau de cordon d'alimentation entre la pompe de vidange et le côté, puis le brancher à la pompe de vidange. Voir l'illustration "Emplacements des pièces".
11. Fixer le cordon d'alimentation de la pompe de vidange à la base de la machine à glaçons à l'aide de la bride et de la vis enlevées à l'étape 6 et qui servaient à fixer le cordon d'alimentation du cordon d'alimentation de la machine à glaçons. Voir l'illustration "Emplacements des pièces".
12. Placer le nouveau panneau arrière (le petit pour une machine à glaçons de 15 po, le grand pour une de 18 po) au dos de la machine à glaçons. Acheminer le tube de ventilation et le tuyau de vidange de la pompe à travers les ouvertures du panneau arrière.
13. Fixer le panneau arrière à l'aide des vis d'origine. Voir l'illustration "Panneau arrière".
14. Retirer le couvercle du boîtier de connexion. Consulter l'illustration suivante pour l'emplacement des vis.



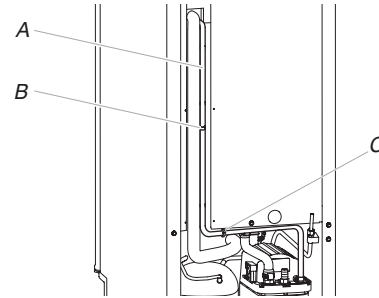
A. Couvercle du boîtier de connexion  
B. Vis

15. Passer le tube de ventilation dans le dispositif de retenue en plastique situé sous la tête supérieure dans la zone ouverte de la pompe, comme illustré. À l'aide d'une attache mono-usage, fixer le tube de ventilation au dos du tube d'aération situé derrière le couvercle du boîtier de connexion. Consulter l'illustration "Tube de ventilation".

16. Fixer de nouveau le couvercle du boîtier de connexion à sa place.
17. Fixer le tube de vidange de 1/2 po de diamètre intérieur x 10 pi (3 m) à la pompe de vidange. Voir l'illustration "Emplacements des pièces".  
**REMARQUE :** Ne pas raccorder l'extrémité de sortie du tuyau de vidange à un système de canalisation fermé afin d'empêcher l'eau de vidange de refouler dans la machine à glaçons.
18. Raccorder la machine à glaçons à l'arrivée d'eau et l'installer comme indiqué dans les instructions d'installation du produit.

## Tube de ventilation

**REMARQUE :** Ne pas pincer, plier ou endommager le tube de ventilation. Vérifier que le tube n'est pas endommagé, plié ou pincé entre l'armoie et la machine à glaçons.



A. Tube de ventilation  
B. Serre-câbles  
C. Dispositif de retenue en plastique

19. Vérifier l'absence de fuites à tous les raccords.

## **AVERTISSEMENT**



### Risque de choc électrique

**Brancher sur une prise à 3 alvéoles reliée à la terre.**

**Ne pas enlever la broche de liaison à la terre.**

**Ne pas utiliser un adaptateur.**

**Ne pas utiliser un câble de rallonge.**

**Le non-respect de ces instructions peut causer un décès, un incendie ou un choc électrique.**

20. Rebrancher la machine à glaçons ou l'alimenter.
21. Mettre la machine à glaçons en marche.
22. Attendre que le programme de rinçage se déclenche (environ 5 minutes) pour s'assurer que la machine à glaçons fonctionne correctement.



## Raccord au drain

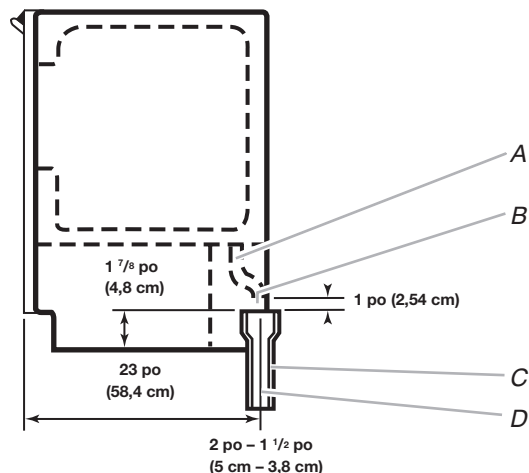
### Système de vidange par gravité

Brancher le drain de la machine à glaçons au drain en respectant les réglementations et codes locaux et provinciaux. Si la machine à glaçons est munie d'un système de vidange par gravité, suivre ces instructions pour installer le tuyau de vidange. Ceci aidera à éviter que l'eau ne refoule dans le bac d'entreposage de la machine à glaçons et éventuellement sur le plancher et ne cause des dommages.

- Le tuyau de vidange doit avoir un diamètre intérieur minimum de 5/8 po (15,88 mm).
- Les tuyaux de vidange doivent avoir une pente de 1 po pour chaque 48 po (2,54 cm pour chaque 122 cm) de longueur ou une pente de 1/4 po pour chaque 12 po de longueur (6,35 mm pour chaque 30,48 cm) et ne comporter aucun point bas où l'eau pourrait stagner.
- Les drains de vidange de plancher doivent être suffisamment grands pour recevoir l'eau de vidange provenant de toutes sources.
- L'installation idéale comporte un tuyau de rejet à l'égout en PVC de 1 1/2 po (3,81 cm) à 2 po (5,08 cm) installé immédiatement sous la sortie du tube de vidange. Un écart antiretour de 1 po (2,54 cm) doit être maintenu entre le tuyau de la pompe de vidange et le tuyau de rejet à l'égout.
- Ne pas raccorder l'extrémité de sortie du tuyau de vidange à un système de canalisation fermé afin d'empêcher l'eau de vidange de refouler dans la machine à glaçons.

**IMPORTANT :** Une pompe de vidange est nécessaire lorsqu'on ne dispose pas de drain au plancher. Il est possible d'acheter la trousse de pompe de vidange (numéro de pièce 1901A).

#### Vue latérale



A. Tuyau de vidange

B. Espace de 2,54 cm (1 po)

C. Réducteur de vidange en PVC

D. Le centre du drain devrait se trouver à 23 po (58,4 cm) du devant de la porte (avec ou sans le panneau de 3/4 po [1,91 cm] sur la porte). Le drain doit aussi être centré de gauche à droite (7 3/16 [18,56 cm] de chaque côté de la machine à glaçons).

### Système avec pompe de vidange (sur certains modèles)

#### IMPORTANT :

- Raccorder le tuyau de vidange de la machine à glaçons à votre drain de vidange conformément à l'International Plumbing Code et aux codes et règlements locaux.
- Le circuit de vidange doit se terminer dans un puisard ou un tuyau d'évacuation ouvert (pour impossibilité de reflux).

- Dénivellation maximale de 10 pi (3,1 m)
- Longueur maximale de 100 pi (30,5 m)

#### REMARQUES :

- Si le tuyau de vidange devient tordu et l'eau ne peut pas se vidanger, votre machine à glaçons ne fonctionnera pas.
- Il sera peut-être souhaitable d'isoler le tuyau de vidange complètement jusqu'à l'entrée du drain de vidange. Il est possible d'acheter la trousse de gaine isolante (numéro de pièce W10365792).
- Ne pas raccorder l'extrémité de sortie du tuyau de vidange à un système de canalisation fermé afin d'empêcher l'eau de vidange de refouler dans la machine à glaçons.
- Capacité maximale de la pompe de vidange : Pour chaque 1 pi (0,31 m) d'élévation, soustraire 10 pi (3,1 m) de longueur de fonctionnement maximal.

### Raccordement de la vidange

Après avoir vérifié que le système de vidange est adéquat, il faut procéder comme décrit ci-dessous pour bien mettre la machine à glaçons en place :

## ⚠ AVERTISSEMENT



#### Risque de choc électrique

**Brancher sur une prise à 3 alvéoles reliée à la terre.**

**Ne pas enlever la broche de liaison à la terre.**

**Ne pas utiliser un adaptateur.**

**Ne pas utiliser un câble de rallonge.**

**Le non-respect de ces instructions peut causer un décès, un incendie ou un choc électrique.**

1. Brancher sur une prise de courant à 3 alvéoles reliée à la terre.

## ⚠ AVERTISSEMENT

#### Risque du poids excessif

**Utiliser deux ou plus de personnes pour déplacer et installer la machine à glaçons.**

**Le non-respect de cette instruction peut causer une blessure au dos ou d'autre blessure.**

2. **Style 1** – Pour un système de vidange par gravité, pousser la machine à glaçons en position pour que le conduit de vidange soit positionné au-dessus du réducteur de vidange en PVC. Voir la section "Système de vidange par gravité".  
**Style 2** – Pour le système avec pompe de vidange, connecter le tuyau de sortie de la pompe au drain. Voir la section "Système avec pompe de vidange".
3. Vérifier à nouveau la machine à glaçons pour s'assurer qu'elle est bien d'aplomb. Voir la section "Réglage de l'aplomb".
4. Si le code sanitaire local l'exige, sceller la machine sur le plancher à l'aide d'un produit de cafeutrage approuvé une fois que les raccordements d'eau et d'électricité ont été faits.

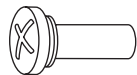


## Inversion du sens de la porte – porte à ouverture latérale uniquement

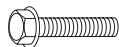
### Outils nécessaires

Rassembler les outils et pièces nécessaires avant d'entreprendre l'installation.

- Clé de 5/16 po
- Clé de 1/4 po
- Couteau à mastic plat
- Tournevis cruciforme



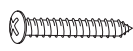
Axe de charnière



Vis de charnière à tête hexagonale de 5/16 po

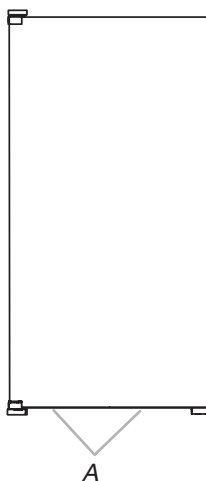


Vis de poignée



Vis à embout

### Retrait du panneau de revêtement de porte en acier inoxydable (sur certains modèles)



A. Vis à tête hexagonale

1. Retirer les deux vis à tête hexagonale situées au bas de la porte, sous le rebord du panneau de revêtement de porte en acier inoxydable.
2. En partant du bas, dégager le panneau de revêtement de porte vers le haut, puis vers l'extérieur.
3. Faire pivoter le panneau de revêtement de porte jusqu'à ce qu'il se détache de la porte et le soulever.

**REMARQUE :** Veiller à ce que les protections de rebords ne se détachent pas du panneau de revêtement de porte.

### Inversion du sens de montage de la butée de porte et des protections d'angle

## ⚠ AVERTISSEMENT



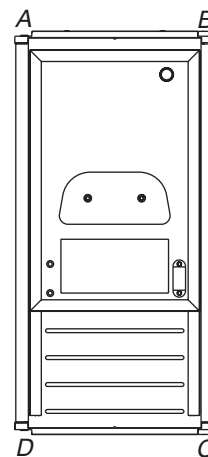
### Risque de choc électrique

**Déconnecter la source de courant électrique avant l'entretien.**

**Replacer pièces et panneaux avant de faire la remise en marche.**

**Le non-respect de ces instructions peut causer un décès ou un choc électrique.**

1. Débrancher la machine à glaçons ou couper l'alimentation.
2. Retirer les vis de poignée et la poignée (sur certains modèles).
3. Enlever l'axe de la charnière supérieure.
4. Retirer la porte des charnières et réinstaller l'axe de charnière supérieure.
5. Retirer la vis et la butée de porte à l'angle A. Retirer la vis et la protection d'angle de l'angle C. Placer la butée de porte à l'angle C et serrer la vis. Placer la protection d'angle à l'angle A et serrer la vis.
6. Retirer la vis et la butée de porte à l'angle D. Retirer la vis et la protection d'angle de l'angle B. Placer la butée de porte à l'angle B et serrer la vis. Placer la protection d'angle à l'angle D et serrer la vis.



A. Angle supérieur ouvert (pas de protection d'angle)

B. Début d'angle supérieur avec protection

C. Début d'angle inférieur avec protection

D. Angle inférieur ouvert (pas de protection d'angle)

7. Selon le modèle, l'insigne de la marque destiné à être placé sur l'avant de la porte de la machine à glaçons peut se trouver dans le sachet du guide d'utilisation et d'entretien. Fixer l'insigne de la marque à la porte.
8. Mettre la porte de côté.

## Inversion du sens de montage des charnières

1. Dévisser et ôter la charnière supérieure. Réinstaller les vis dans les trous vides de la charnière.
2. Ôter les vis du côté opposé inférieur de la caisse de la machine à glaçons. Inverser la charnière supérieure de telle sorte que l'axe pointe vers le haut. Placer la charnière du côté opposé inférieur de la machine à glaçons et serrer les vis.
3. Ôter les vis de la "vieille" charnière inférieure et la charnière. Réinstaller les vis dans les trous vides de la charnière.
4. Ôter les vis du côté opposé supérieur de la caisse de la machine à glaçons. Inverser la charnière de telle sorte que l'axe pointe vers le bas. Placer la charnière sur le côté opposé supérieur de la machine à glaçons et serrer les vis.
5. Ôter l'axe de la charnière supérieure.

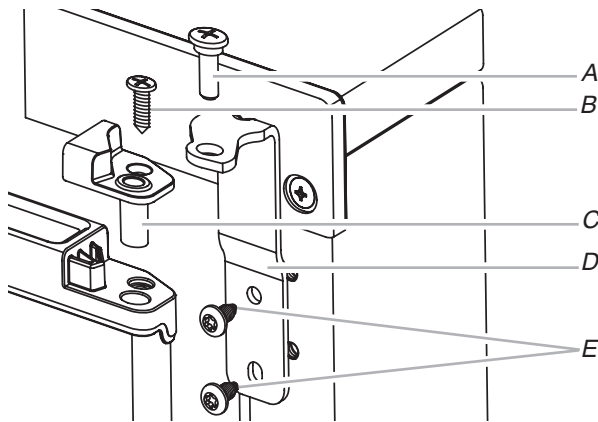
## Réinstallation de la porte

1. Placer la porte sur l'axe de la charnière inférieure.
2. Aligner la porte avec le trou de la charnière supérieure et réinstaller l'axe supérieur.
3. Réinstaller la poignée et les vis de la poignée.

## Remplacement du revêtement de porte (sur certains modèles)

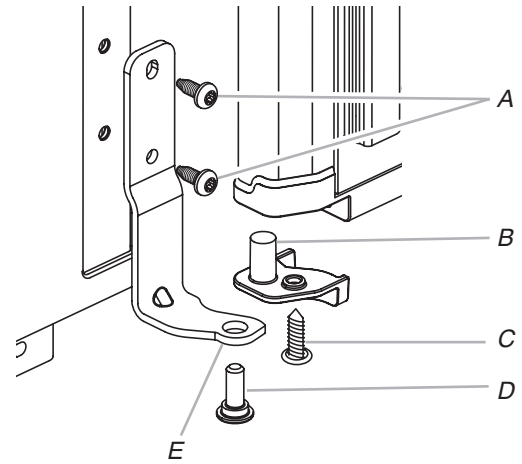
1. Placer le rebord du revêtement de porte sur le sommet de la porte et s'assurer qu'il est bien positionné.
2. Faire pivoter le revêtement de porte vers le bas jusqu'à ce qu'il recouvre entièrement la surface de la porte.
3. Installer les deux vis à tête hexagonale dans le bas de la porte.

## Charnière supérieure



- A. Axe de charnière  
B. Vis cruciforme fraisée  
C. Douille d'axe de charnière  
D. Charnière  
E. Vis de charnière à tête hexagonale

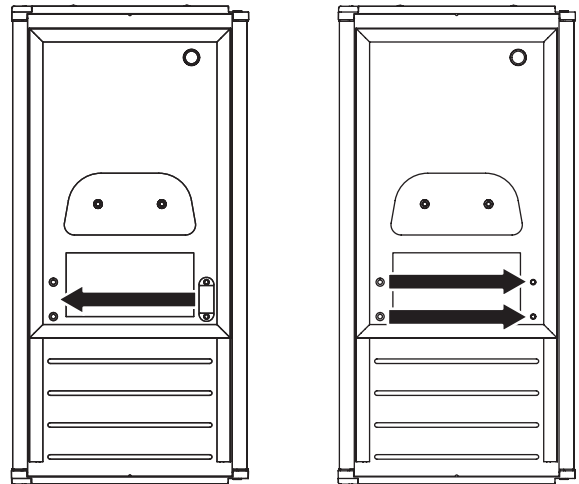
## Charnière inférieure



- A. Vis de charnière à tête hexagonale  
B. Douille d'axe de charnière  
C. Vis cruciforme fraisée  
D. Axe de charnière  
E. Charnière

## Inversion du sens d'installation de la gâche de porte

1. Ôter les vis blanches décoratives du côté opposé de la porte et les mettre de côté.
2. Ôter les vis du loquet de porte magnétique et les installer du côté opposé de la porte.



3. Installer les vis blanches décoratives sur le côté opposé de la porte.

## **AVERTISSEMENT**



### Risque de choc électrique

**Brancher sur une prise à 3 alvéoles reliée à la terre.**

**Ne pas enlever la broche de liaison à la terre.**

**Ne pas utiliser un adaptateur.**

**Ne pas utiliser un câble de rallonge.**

**Le non-respect de ces instructions peut causer un décès, un incendie ou un choc électrique.**

4. Brancher sur une prise de courant à 3 alvéoles reliée à la terre.

## Ajustement de l'aplomb

La machine à glaçon doit être de niveau pour fonctionner correctement. Selon l'endroit où vous installez la machine à glaçons, vous pourrez avoir à effectuer plusieurs ajustements pour la mettre d'aplomb. Vous pouvez également utiliser les pieds de nivellement pour baisser la hauteur de la machine à glaçons pour les installations sous comptoir.

### Outils nécessaires

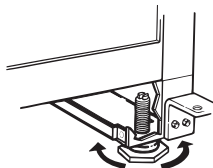
Rassembler les outils et pièces nécessaires avant d'entreprendre l'installation.

- Niveau
- Clé à molette

**REMARQUE :** Il est plus facile d'ajuster les pieds de nivellement si on se fait aider par une autre personne.

1. Déplacer la machine à glaçons jusqu'à son emplacement final.  
**REMARQUE :** S'il s'agit d'une installation intégrée, déplacer la machine à glaçons aussi près que possible de son emplacement final.
2. Placer un niveau sur le dessus pour voir si la machine à glaçons est d'aplomb d'avant en arrière et transversalement.
3. Pousser vers le haut sur la partie avant de la machine à glaçons pour repérer les vis de nivellement qui se trouvent en bas à l'avant de la machine à glaçons.
4. Au moyen d'une clé à molette, modifier la hauteur des pieds comme suit :
  - Tourner le pied de nivellement vers la droite pour abaisser ce côté de la machine à glaçons.
  - Tourner le pied de nivellement vers la gauche pour soulever ce côté de la machine à glaçons.

**REMARQUE :** La machine à glaçons ne devrait pas osciller. Utiliser des cales pour accroître la stabilité, au besoin.

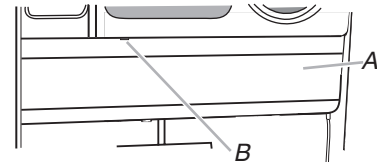


5. Pousser vers le haut sur la partie arrière de la machine à glaçons pour repérer les pieds de nivellement qui se trouvent en bas à l'arrière de la machine à glaçons.
6. Suivre les instructions de l'étape 4 pour modifier la hauteur des pieds.
7. Utiliser un niveau pour vérifier que la machine à glaçons est d'aplomb d'avant en arrière et transversalement. Si la machine à glaçons n'est pas d'aplomb, répéter les étapes 2 à 5. Si la machine à glaçons est de niveau, passer à la section "Raccordement de l'alimentation en eau".

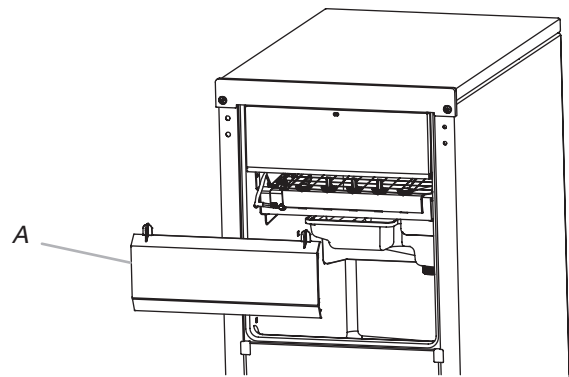
## Nettoyage

### Composants internes

1. Débrancher la machine à glaçons ou couper l'alimentation.
2. Ouvrir la porte où se trouve le bac à glaçons et retirer tout glaçon qui s'y trouve.
3. Retirer le bouchon de vidange du réservoir d'eau et vidanger ce dernier complètement. Réinstaller le bouchon de vidange solidement sur le bac à eau. Si le bouchon de vidange est desserré, l'eau s'écoulera du bac à eau et la glace sera mince ou il n'y aura pas de glace.
4. Tirer le bas du couvercle de la grille de coupe jusqu'à ce qu'il se dégage.  
**REMARQUE :** Sur certains modèles, ôter la vis du couvercle de la grille de coupe.
5. Débrancher le faisceau de câblage de la gauche de la grille de coupe.



A. Couvercle de la grille de coupe  
B. Vis (sur certains modèles)

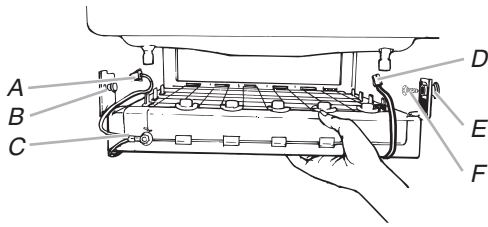


A. Couvercle de la grille de coupe

6. Débrancher le détecteur de niveau de glaçons de la droite de la grille de coupe. Tirer le détecteur de niveau vers le bas et vers l'avant pour l'éloigner de la grille de coupe.

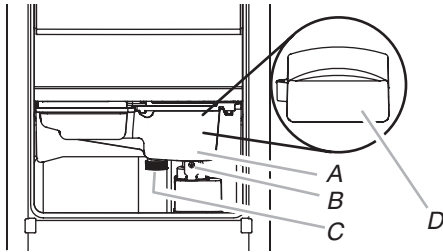
7. Enlever les vis de droite et de gauche. Soulever et sortir la grille de coupe.

**REMARQUE :** Il faut s'assurer que la cale d'écartement en plastique du côté droit du support de la grille de coupe suit cette dernière.



A. Faisceau de la grille de coupe  
B. Vis  
C. Grille de coupe  
D. Faisceau du détecteur de niveau de glaçons  
E. Cale en plastique  
F. Vis

8. Retirer les vis retenant le bac à eau en place. Tirer sur l'avant du bac à eau.  
9. Déconnecter le support de pompe du bac à eau et débrancher la pompe de vidange du bac à eau.



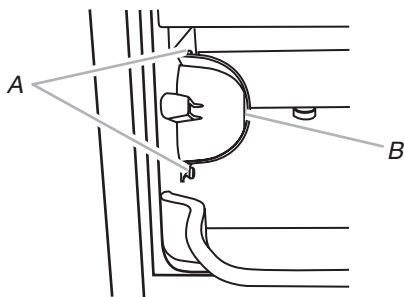
A. Bac à eau  
B. Vis du bac à eau  
C. Bouchon de vidange  
D. Couverture de la pompe de vidange

10. Retirer, nettoyer et réinstaller le support de cuillère à glaçons et la cuillère à glaçons.

**REMARQUE :** Sur certains modèles, la cuillère à glaçons se trouve dans la partie supérieure gauche de l'appareil. Sur d'autres, elle se trouve dans la partie inférieure gauche.

#### Sur certains modèles

- Enlever le support en retirant les 2 vis.
- Laver le support de la cuillère à glaçons et la cuillère à glaçons en même temps que les autres composants internes en suivant les instructions suivantes.
- Réinstaller le support de la cuillère à glaçons en réinstallant les vis.



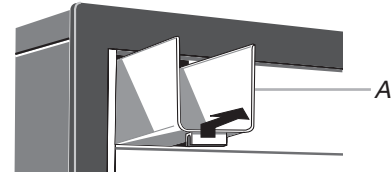
A. Vis  
B. Support de cuillère à glaçons

#### Sur certains modèles

- Après avoir retiré la cuillère à glaçons, enlever le support en ôtant les 2 vis.

**REMARQUE :** Sur certains modèles, retirer le support en le soulevant, puis en le sortant.

- Laver le support de la cuillère à glaçons en même temps que les autres composants internes en suivant les instructions suivantes.
- Replacer le support de la cuillère à glaçons en réinstallant les vis. ou sur certains modèles, en poussant le support vers l'intérieur puis le bas.



A. Support de cuillère à glaçons

11. Laver les composants intérieurs (grille de coupe, extérieur des tuyaux et bac à eau), le bac d'entreposage de glaçons, le joint d'étanchéité de la porte, la cuillère à glaçons et le support de la cuillère à glaçons avec une eau tiède et un savon ou un détergent doux. Rincer avec de l'eau propre. Nettoyer ensuite ces mêmes composants à l'aide d'une solution comprenant 1 cuillerée à soupe (15 ml) d'agent de blanchiment dans 1 gallon (3,8 l) d'eau tiède. Rincer à nouveau à fond avec de l'eau propre.

**REMARQUE :** Ne pas retirer les tuyaux. Ne pas laver les composants en plastique au lave-vaisselle. Ces composants ne résistent pas à des températures supérieures à 63 °C (145 °F).

12. Pour réinstaller le bac à eau, le placer à l'intérieur du bac à glaçons. Raccorder la pompe de vidange du bac à eau. Remboîter le support de pompe sur le bac à eau et le remettre en place. Fixer le bac à eau en réinstallant la vis de montage.

13. Vérifier ce qui suit :

- Le bouchon de vidange du bac à eau est en place. Si le bouchon de vidange est desserré, l'eau s'écoulera du bac à eau et la glace sera mince ou il n'y aura pas de glace.
- Le tuyau provenant du bac à eau est inséré dans l'ouverture de vidange du bac d'entreposage.

14. Glisser la grille de coupe en place et la fixer en remettant la vis du côté droit et la cale d'espacement en plastique. Serrer ensuite la vis de gauche. Rebrancher les faisceaux de câblage de la grille de coupe et du détecteur de niveau de glaçons.

15. Replacer le couvercle de la grille de coupe.

**REMARQUE :** Sur certains modèles, remplacer le couvercle de la grille de coupe en utilisant les deux vis retirées précédemment.

16. Nettoyer le tableau de commande en douceur et avec précaution à l'aide d'un torchon propre et doux et d'un mélange d'eau tiède et de détergent à vaisselle liquide doux.

17. Rebrancher la machine à glaçons ou l'alimenter.

18. Après le nettoyage, s'assurer que toutes les commandes sont correctement réglées et qu'aucun témoin de commande ne clignote.

# SEGURIDAD DE LA FÁBRICA DE HIELO

## Su seguridad y la seguridad de los demás es muy importante.

Hemos incluido muchos mensajes importantes de seguridad en este manual y en su electrodoméstico. Lea y obedezca siempre todos los mensajes de seguridad.



Este es el símbolo de alerta de seguridad.

Este símbolo le llama la atención sobre peligros potenciales que pueden ocasionar la muerte o una lesión a usted y a los demás.

Todos los mensajes de seguridad irán a continuación del símbolo de advertencia de seguridad y de la palabra "PELIGRO" o "ADVERTENCIA". Estas palabras significan:

 **PELIGRO**

Si no sigue las instrucciones de inmediato, usted puede morir o sufrir una lesión grave.

 **ADVERTENCIA**

Si no sigue las instrucciones, usted puede morir o sufrir una lesión grave.

Todos los mensajes de seguridad le dirán el peligro potencial, le dirán cómo reducir las posibilidades de sufrir una lesión y lo que puede suceder si no se siguen las instrucciones.

## INSTRUCCIONES IMPORTANTES DE SEGURIDAD

**ADVERTENCIA:** Para reducir el riesgo de incendio, choque eléctrico o lesiones personales al usar la fábrica de hielo, siga estas precauciones básicas:

- Conecte a un contacto de pared de conexión a tierra de 3 terminales.
- No quite el terminal de conexión a tierra.
- No use un adaptador.
- No use un cable eléctrico de extensión.
- Desconecte el suministro de energía antes de limpiar a mano los componentes internos.
- Desconecte el suministro de energía antes de darle servicio.
- Vuelva a colocar todos los componentes y paneles antes de hacerla funcionar.
- Use dos o más personas para mover e instalar la fábrica de hielo.

## GUARDE ESTAS INSTRUCCIONES

Advertencias de la Proposición 65 del estado de California:

**ADVERTENCIA:** Este producto contiene una o más sustancias químicas identificadas por el estado de California como causantes de cáncer.

**ADVERTENCIA:** Este producto contiene una o más sustancias químicas identificadas por el estado de California como causantes de defectos congénitos o algún otro tipo de daños en la función reproductora.

# INSTRUCCIONES DE INSTALACIÓN

## Cómo desempacar la fábrica de hielo

### **ADVERTENCIA**

#### **Peligro de Peso Excesivo**

**Use dos o más personas para mover e instalar la fábrica de hielo.**

**No seguir esta instrucción puede ocasionar una lesión en la espalda u otro tipo de lesiones.**

## Cómo quitar los materiales de empaque

Quite las cintas y el pegamento de la fábrica de hielo antes de usarla.

- Para eliminar los residuos de cinta o goma, frote el área enérgicamente desde afuera de la fábrica de hielo con su dedo pulgar. Los residuos de la cinta adhesiva o goma también pueden quitarse frotando un poco de detergente líquido para vajillas con los dedos. Limpie con agua tibia y seque.
- No use instrumentos afilados, alcohol para fricciones, líquidos inflamables ni limpiadores abrasivos para eliminar los restos de cinta o de pegamento. No use blanqueador con cloro en las superficies de acero inoxidable de la fábrica de hielo. Estos productos pueden dañar la superficie de su fábrica de hielo.

## Limpeza antes del uso

Luego de quitar todos los materiales de empaque, limpie el interior de su fábrica de hielo antes de usarla. Vea las instrucciones de limpieza en la sección "Cuidado de la fábrica de hielo".

## Requisitos de ubicación

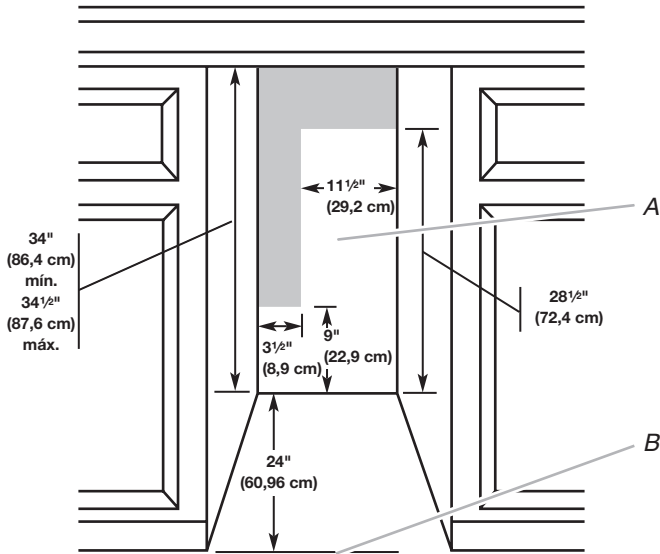
- Para asegurar la ventilación adecuada de la fábrica de hielo, el lado delantero debe estar completamente despejado. La fábrica de hielo puede estar sin ventilación en la parte superior y por sus tres paredes, pero la instalación debe permitir que se jale hacia afuera para reparaciones, si fuese necesario.
- La instalación de la fábrica de hielo requiere de una entrada de agua fría por medio de un tubo de cobre blando de 1/4" (6,35 mm) de diámetro exterior con válvula de cierre o una línea de suministro Whirlpool número 8212547RB y una bomba de desagüe aprobada por Whirlpool, pieza número 1901A, solo para llevar el agua a un desagüe existente.
- Elija un área bien ventilada con temperaturas sobre los 55 °F (13 °C) y por debajo de los 110 °F (43 °C). Los mejores resultados se obtienen entre 70 °F y 90 °F (21 °C y 32 °C).
- La fábrica de hielo se debe instalar en un área protegida de elementos como el viento, la lluvia, salpicaduras de agua o goteos.
- Cuando instale una fábrica de hielo debajo de un mesón, considere las dimensiones de abertura recomendadas. Coloque los elementos eléctricos y de plomería en los lugares recomendados en la imagen.

### NOTAS:

- Verifique que el cable de alimentación eléctrica no esté dañado, pellizcado o retorcido entre la fábrica de hielo y el gabinete.
- Verifique que la línea de suministro de agua no esté dañada, pellizcada o retorcida entre la fábrica de hielo y el gabinete.
- Verifique que la línea de desagüe (en algunos modelos) no esté dañada, pellizcada o retorcida entre la fábrica de hielo y el gabinete.



- Verifique que la puerta de la fábrica de hielo no esté a ras con los gabinetes estándar para evitar problemas al abrir la puerta de la fábrica de hielo.



A. Ubicación recomendada para los elementos de instalación eléctrica y de plomería  
 B. Nivelación de piso

- Elija una ubicación donde el piso esté nivelado. Es importante que la fábrica de hielo esté nivelada para que funcione adecuadamente. Si es necesario, puede ajustar la altura de la fábrica de hielo al cambiar la altura de las patas niveladoras. Vea "Nivelación".

## Requisitos eléctricos

### ⚠ ADVERTENCIA



#### Peligro de Choque Eléctrico

**Conecte a un contacto de pared de conexión a tierra de 3 terminales.**

**No quite la terminal de conexión a tierra.**

**No use un adaptador.**

**No use un cable eléctrico de extensión.**

**No seguir estas instrucciones puede ocasionar la muerte, incendio o choque eléctrico.**

Antes de trasladar la fábrica de hielo a su ubicación final, es importante cerciorarse de que tenga la conexión eléctrica apropiada:

Se requiere un suministro eléctrico de 115 V, 60 Hz, de CA solamente, 15 o 20 A conectado adecuadamente a tierra de acuerdo con el Código Nacional de Electricidad y con las normas y códigos locales.

Se recomienda tener un circuito separado que sirva sólo para la fábrica de hielo. Use un receptáculo que no pueda ser desconectado con un interruptor o con un conmutador a cadena.

**IMPORTANTE:** Si este producto está conectado a un tomacorriente equipado con GFCI (Ground Fault Circuit Interrupter- Interruptor de circuito de falla eléctrica de puesta a tierra), puede ocurrir un disparo molesto del suministro de energía, lo que resultará en la pérdida de refrigeración. Esto puede afectar la calidad del hielo. Si ha ocurrido un disparo molesto, y el hielo aparenta estar en malas condiciones, deshágase del mismo.

#### Método de conexión a tierra recomendado

La fábrica de hielo debe estar conectada a tierra. La fábrica de hielo viene equipada con un cable de suministro eléctrico dotado de un enchufe de 3 terminales con conexión a tierra. El cable debe ser enchufado en un contacto apropiado de pared de tres terminales, conectado a tierra de acuerdo con el Código Nacional de Electricidad y con los códigos y normas locales. Si no hubiera un contacto de pared adecuado, el cliente tiene la responsabilidad de contratar a un electricista calificado para instalar un contacto de pared apropiado de tres terminales con conexión a tierra.

## Requisitos de suministro de agua

Verifique que las líneas de suministro de agua estén protegidas contra congelamiento. La formación de hielo en las líneas de suministro puede aumentar la presión del agua y dañar la fábrica de hielo o su hogar. Los daños ocasionados por líneas de suministros congeladas no están cubiertos por la garantía.

Se necesita un suministro de agua fría con presión de agua entre 30 y 120 lbs/pulg<sup>2</sup> (207 y 827 kPa) para hacer funcionar la fábrica de hielo. Si tiene preguntas acerca de la presión del agua, llame a un plomero competente autorizado.

#### Suministro de agua por ósmosis inversa

##### IMPORTANTE:

- No se recomienda un sistema de filtración de agua por ósmosis inversa para las fábricas de hielo que tengan instalada una bomba de desagüe.
- Solo para sistemas de drenaje por gravedad.
- La presión del suministro de agua que sale de un sistema de ósmosis inversa y va a la válvula de entrada de agua de la fábrica de hielo debe ser entre 30 y 120 lbs/pulg<sup>2</sup> (207 y 827 kPa).

Si el sistema de filtrado de agua por ósmosis inversa está conectado al suministro de agua fría, la presión de agua para el sistema de ósmosis inversa debe ser entre 40 y 60 psi (276 y 414 kPa).

**NOTA:** el sistema de ósmosis inversa debe suministrar 1 galón (3,8 L) de agua por hora a la fábrica de hielo para que ésta funcione adecuadamente. Si se desea un sistema de ósmosis inversa, se recomienda solamente un sistema de ósmosis inversa con capacidad para toda la casa, que sea capaz de mantener el suministro continuo de agua requerido por la fábrica de hielo. Los sistemas de ósmosis inversa con capacidad adecuada para grifos no pueden mantener el suministro continuo de agua requerido por la fábrica de hielo.

Si la presión de agua hacia el sistema de ósmosis inversa es menor de 40 a 60 psi (276 a 414 kPa):

- Fíjese si el filtro de sedimentos del sistema de ósmosis inversa está bloqueado. Reemplácelo si fuera necesario.
- Deje que se vuelva a llenar el tanque de almacenaje del sistema de ósmosis inversa después del uso intenso.

Si tiene preguntas acerca de la presión del agua, llame a un plomero competente autorizado.

## Vacaciones o tiempo prolongado sin uso

- Cuando no utilice la fábrica de hielo por un período largo de tiempo, retire la electricidad y el suministro de agua de la fábrica de hielo.
- Verifique que las líneas de suministro de agua estén protegidas contra congelamiento. La formación de hielo en las líneas de suministro puede aumentar la presión del agua y dañar la fábrica de hielo o la casa. Los daños ocasionados por congelamiento no están cubiertos por la garantía.

## Conexión del suministro de agua

Lea todas las instrucciones antes de comenzar.

### IMPORTANTE:

- La tubería se debe instalar de acuerdo con el Código internacional de plomería y cualquier norma y ordenanza local.
- Use tubería de cobre o una línea de suministro de Whirlpool, Pieza número 8212547RP, y revise si hay fugas.
- Instale la tubería sólo en áreas donde la temperatura va a permanecer por encima del punto de congelación.

### Herramientas necesarias

Reúna las herramientas y las piezas necesarias antes de comenzar la instalación:

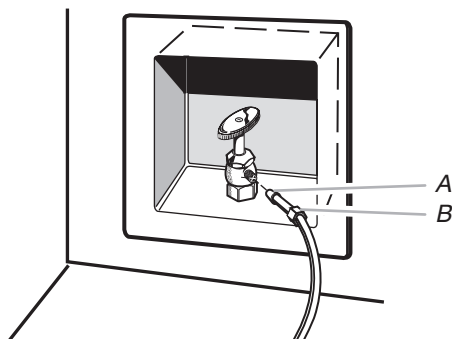
- Destornillador de hoja plana
- Llaves de extremo abierto de 7/16" y 1/2" o dos llaves ajustables
- Sacatuercas de 1/4"

**NOTA:** no use una válvula perforadora ni una válvula de montura de 3/16" (4,76 mm) que reduce el flujo de agua y se obstruye con más facilidad.

### Conexión del suministro de agua

1. Cierre el suministro principal de agua. Abra el grifo más cercano el tiempo suficiente para limpiar la línea de agua.
2. Usando una línea de suministro de cobre de 1/2" con una válvula de cierre de un cuarto de vuelta o una equivalente, conecte la fábrica de hielo como se muestra.

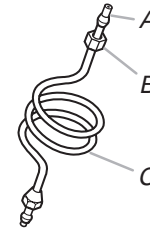
**NOTA:** Se recomienda una tubería de suministro doméstico de 1/2" de diámetro mínimo para que la fábrica de hielo tenga un flujo de agua suficiente.



A. Bulbo  
B. Tuerca

3. Ahora está listo para conectar la tubería de cobre. Use una tubería de cobre blando de 1/4" (6,35 mm) de diámetro exterior para el suministro de agua fría.
  - Asegúrese de tener la longitud adecuada necesaria para el trabajo. Asegúrese de que ambos extremos de la tubería de cobre estén cortados a escuadra.

- Deslice la manga de compresión y la tuerca de compresión sobre la tubería de cobre como se muestra. Inserte el extremo de la tubería en el extremo de salida a escuadra tanto como sea posible. Enrosque la tuerca de compresión al extremo de salida con una llave ajustable. No apriete demasiado.

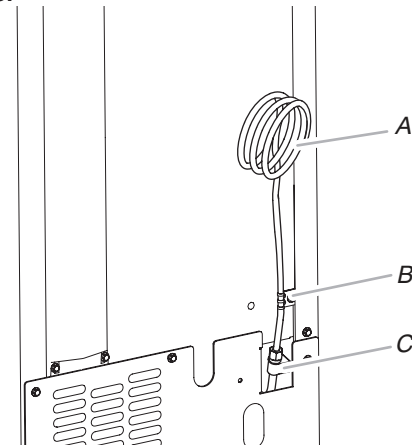


A. Manga de compresión C. Tubería de cobre  
B. Tuerca de compresión

4. Coloque el extremo libre de la tubería en un recipiente o un fregadero, abra el suministro principal del agua y deje correr el agua por la tubería hasta que el agua salga limpia. Cierre la válvula de cierre de la tubería de agua.
 

**IMPORTANTE:** Siempre desagüe la tubería de agua antes de efectuar la conexión final al orificio de entrada de la válvula de agua para evitar un probable mal funcionamiento de la válvula de agua.
5. El tubo de entrada de agua está ubicado en la parte posterior de la fábrica de hielo como se indica en la ilustración "Vista posterior". Tuerza el tubo de cobre para que coincida con la entrada de línea de agua. Deje el serpentín de tubería de cobre como está para permitir sacar la fábrica de hielo del gabinete o separarlo de la pared para el servicio.

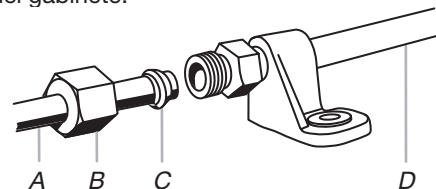
### Vista posterior



A. Tubería de cobre  
B. Abrazadera para la tubería del suministro de agua  
C. Abrazadera para el tubo de entrada de agua y conector de la línea de suministro

6. Quite y deseche el tubo corto de plástico negro del extremo de la entrada de la línea de agua.
7. Enrosque la tuerca en el extremo de la tubería. Apriete la tuerca a mano. Después, apriétela dos vueltas más con una llave. No apriete demasiado.

**NOTA:** para evitar el traqueteo, asegúrese de que la tubería de cobre no toque la pared lateral del gabinete ni otras partes dentro del gabinete.



A. Línea hacia la fábrica de hielo  
B. Tuerca (adquirida)  
C. Férula (adquirida)  
D. Línea provista de la fábrica de hielo

8. Instale la abrazadera para tubería de suministro de agua alrededor de la línea de suministro de agua para reducir la tensión sobre el acoplamiento.
9. ABRA la válvula de cierre.
10. Revise si hay fugas. Ajuste las conexiones (incluso las conexiones en la válvula) o tuercas que tengan fugas.

## Instalación de la bomba de desagüe (en algunos modelos)

### NOTAS:

- Conecte la bomba de desagüe a su desagüe en conformidad con todos los códigos y ordenanzas locales y estatales.
- Puede ser útil aislar el tubo de desagüe completamente a través de la entrada del desagüe para minimizar la condensación en el tubo de desagüe. Hay disponible para la venta un juego de tubo aislador, pieza número W10365792.
- La bomba de desagüe ha sido diseñada para bombear agua hasta una altura máxima de 10 pies (3 m). Utilice únicamente el juego de bomba de desagüe con el número de pieza 1901A aprobada por Whirlpool.
- No conecte el extremo del tubo de desagüe a un sistema de tubería cerrada para evitar que el agua de desagüe entre de vuelta a la fábrica de hielo.

### El juego contiene:

- Un juego de bomba de desagüe, número de pieza 1901A
- Tubo de desagüe de 5/8" de diámetro interno x 5 1/8" (recipiente de fábrica de hielo a entrada del recipiente de la bomba de desagüe)
- Manguera de tubo de desagüe de 1/2" de diámetro interno x 10 pies (3 m) (descarga de bomba de desagüe al desagüe del hogar)
- Tubo de ventilación de 5/16" de diámetro interior x 32" (81 cm) (ventilación de recipiente de bomba de desagüe a parte trasera de gabinete de fábrica de hielo)
- Brida para cable (asegura el tubo de ventilación al tubo de aspiración negro) (1)
- Tornillos para montar la bomba de #8-32 x 3/8" (conecta la bomba de desagüe a la placa base y abrazaderas a la parte trasera de la fábrica de hielo) (5)
- Abrazadera de manguera ajustable pequeña de 5/8" (conecta la ventilación a la bomba de desagüe)
- Abrazadera de manguera ajustable grande de 7/8" (conecta el tubo de desagüe al recipiente de la fábrica de hielo y a la entrada del recipiente de la bomba de desagüe) (3)
- Panel posterior (2)
- Hoja de instrucciones

## Si la fábrica de hielo ya se encuentra instalada

**NOTA:** Si la fábrica de hielo no está instalada, consulte la sección "Instalación de la bomba de desagüe".

1. Presione el interruptor selector en la posición OFF (Apagado).

## ⚠ ADVERTENCIA



### Peligro de Choque Eléctrico

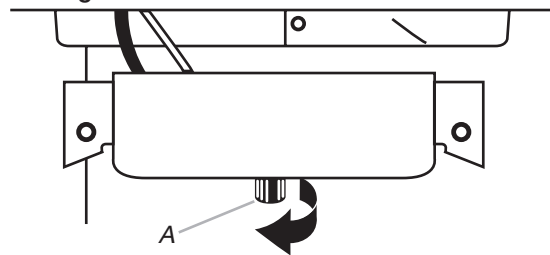
**Desconecte el suministro de energía antes de darle mantenimiento.**

**Vuelva a colocar todos los componentes y paneles antes de hacerlo funcionar.**

**No seguir estas instrucciones puede ocasionar la muerte o choque eléctrico.**

2. Desenchufe la fábrica de hielo o desconecte el suministro de energía.
3. Cierre el suministro de agua. Espere entre 5 a 10 minutos para que el hielo caiga en el cajón de almacenaje. Quite todo el hielo del recipiente.
4. Destornille la tapa de desagüe del fondo de la bandeja del agua ubicada dentro del recipiente de almacenamiento. Espere hasta que se drene el agua por completo. Vuelva a colocar la tapa de desagüe. Consulte la ilustración "Tapa de desagüe".

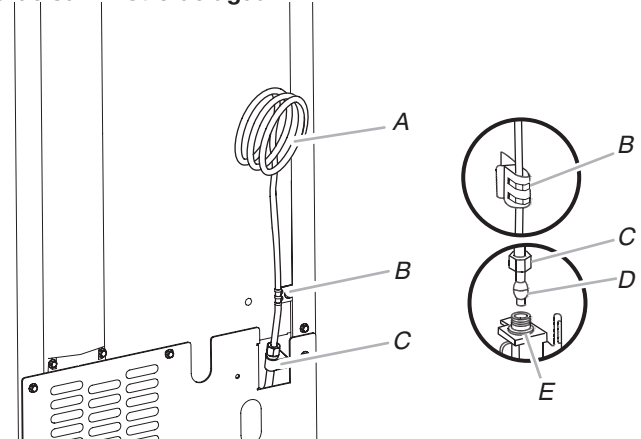
### Tapa de desagüe



A. Tapa de desagüe

5. Si la fábrica de hielo está incorporada en gabinetes, jale la fábrica hacia afuera por la abertura.
6. Desconecte la línea de suministro de agua. Consulte la ilustración "Línea de suministro de agua".

### Línea de suministro de agua



A. Tubería de cobre de 1/4"

B. Abrazadera para cable

C. Tuerca de compresión de 1/4"

D. Férula (manga)

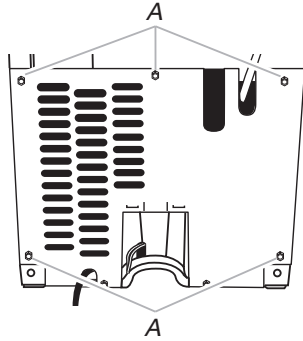
E. Conexión de fábrica de hielo

## Instalación de bomba de desagüe

**NOTA:** No doble, apriete o dañe las tuberías o cables durante la instalación.

1. Desenchufe la fábrica de hielo o desconecte el suministro de energía.
2. Retire el panel posterior. Consulte la ilustración "Panel posterior" para ver la ubicación de los 5 tornillos. Jale el panel posterior hacia afuera desde el tubo de desagüe y elimínelo.

### Panel posterior



A. Ubicaciones de tornillos

3. Retire el tubo de desagüe anterior y la abrazadera conectada al recipiente de la fábrica de hielo.

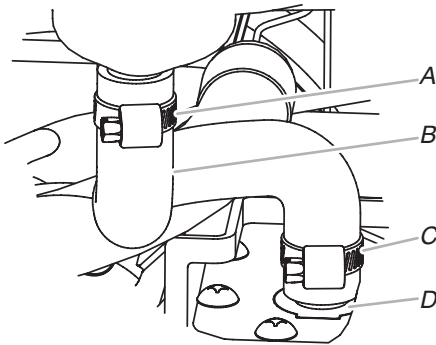
**NOTA:** Elimine el tubo de desagüe antiguo y la abrazadera.

4. Instale el nuevo tubo de desagüe (5/8" de diámetro interior x 5 1/8") desde el recipiente de la fábrica de hielo a la entrada del recipiente de la bomba de desagüe usando abrazaderas ajustables nuevas. Consulte la ilustración "Tubo de desagüe".

### NOTAS:

- No torcer.
- Recorte la extensión del tubo si fuese necesario.

### Tubo de desagüe

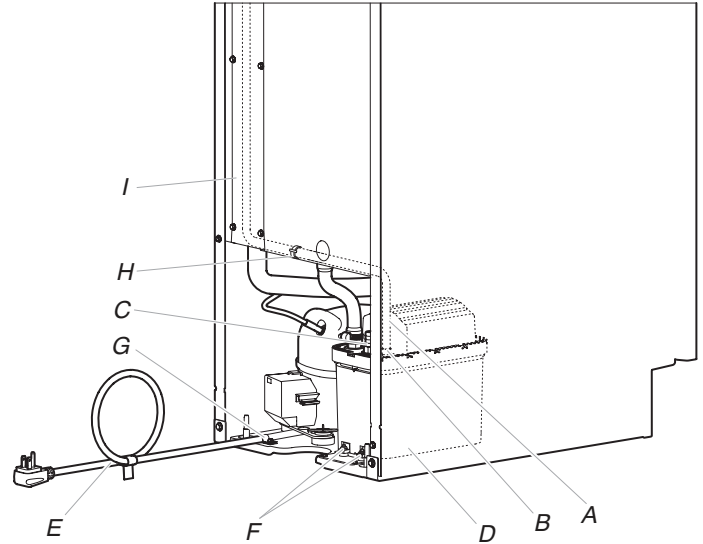


- A. Abrazadera de manguera ajustable de 7/8"      C. Abrazadera de manguera ajustable de 7/8"  
 B. Tubo de desagüe (Recipiente de hielo a bomba de desagüe)      D. Entrada de recipiente de bomba de desagüe

5. Instale el tubo de ventilación (5/16" de diámetro interior x 32" [81 cm]) a la ventilación del recipiente de la bomba de desagüe. Use una de las abrazaderas ajustables pequeñas de 5/8" suministradas. Vea la ilustración "Ubicación de las piezas".

**NOTA:** No instale el tubo de desagüe del hogar en esta etapa.

### Ubicación de las piezas



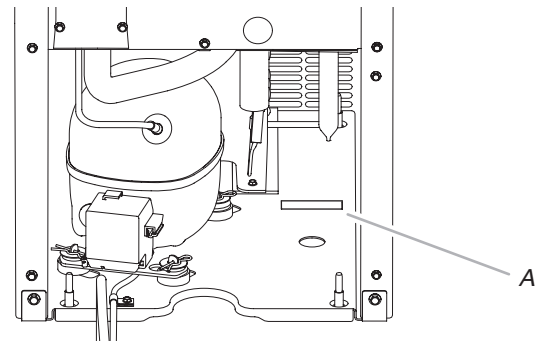
- A. Tubo de ventilación      F. Tornillos de montaje de bomba núm. 8-32 x 3/8"  
 B. Abrazadera de manguera de 5/8"      G. Cable de alimentación, abrazadera y tornillo de bomba de desagüe  
 C. Tubo de descarga de la bomba de desagüe      H. Retén plástico  
 D. Bomba de desagüe      I. Cubierta del cableado  
 E. Cable de alimentación de la unidad de fábrica de hielo

6. Retire la abrazadera del cable de alimentación y el tornillo de tierra conectado al cable de alimentación de la fábrica de hielo, que se encuentra montado en la base de la unidad. Vea la ilustración "Ubicación de las piezas".

**NOTA:** La abrazadera y el tornillo se volverán a usar.

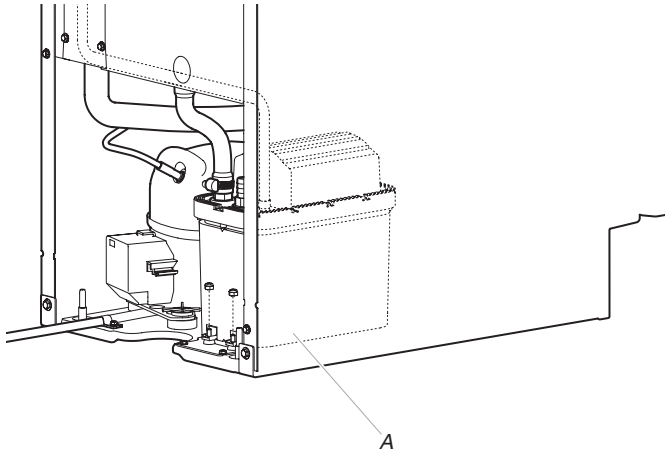
7. Deslice la bomba de desagüe hacia la base de la fábrica en el lado derecho. La pestaña de montaje de bomba debería entrar en la ranura rectangular de la base de la fábrica de hielo. Puede ser necesario empujar la bomba suavemente para que entre en la ranura. Vea la ilustración "Ranura para pestaña de montaje de bomba de desagüe".

### Ranura para pestaña de montaje de la bomba de desagüe



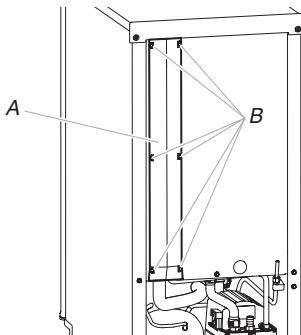
A. Ranura para pestaña de montaje

## Bomba de desagüe instalada



A. Bomba de desagüe instalada

8. Alinee los 2 agujeros para tornillos en la parte trasera de la bomba. Use 2 tornillos #8-32 x 3/8", (suministrados). Vea la ilustración "Ubicación de las piezas".
9. Conecte el tubo de desagüe a la salida del recipiente de la fábrica de hielo (5/8" de diámetro interior) usando la abrazadera ajustable de 7/8" suministrada. Consulte la ilustración "Tubo de desagüe".
10. Doble el cable de alimentación de la fábrica de hielo hasta lograr un círculo de 4" (10.2 cm). Use cinta aislante alrededor del cable de alimentación en varios puntos para que se mantenga en serpentín. Ubique el cable entre la bomba de desagüe y el lado de la carcasa y conecte el receptáculo a la bomba de desagüe. Vea la ilustración "Ubicación de las piezas".
11. Conecte el cable de alimentación de la fábrica de hielo a la base de la unidad de la fábrica de hielo con abrazadera y tornillo (retirados en el paso 6) que se usó para conectar el cable de alimentación de la fábrica de hielo. Vea la ilustración "Ubicación de las piezas".
12. Coloque el nuevo panel posterior (el pequeño para fábricas de hielo de 15", el grande para fábricas de 18") sobre la parte posterior de la fábrica de hielo. Coloque el tubo de ventilación y el tubo de descarga de la bomba a través de las ranuras en el panel posterior.
13. Asegure el panel posterior con los tornillos originales. Consulte la ilustración "Panel posterior".
14. Retire la cubierta del cableado. Vea la ilustración siguiente para la ubicación de los tornillos.

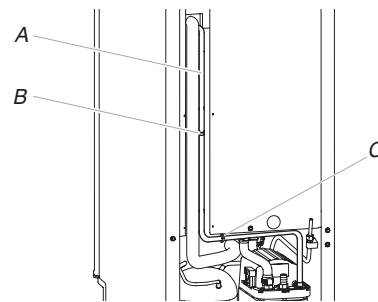


A. Cubierta del cableado.  
B. Tornillos

15. Coloque el tubo de ventilación a través del retén plástico que se ubica debajo de la cubierta superior en el área abierta de bomba como se indica en la ilustración. Utilice la brida para cable para sujetar el tubo de ventilación al tubo de aspiración negro ubicado detrás de la cubierta de cableado. Vea la ilustración "Tubo de ventilación".
16. Vuelva a asegurar la cubierta de cableado en su lugar.
17. Conecte el tubo de desagüe de 1/2" de diámetro interno x 10 pies (3 m) al tubo de descarga de la bomba. Vea la ilustración "Ubicación de las piezas".  
**NOTA:** No conecte el extremo del tubo de desagüe a un sistema de tubería cerrada para evitar que el agua de desagüe regrese a la fábrica de hielo.
18. Conecte la fábrica de hielo al suministro de agua e instale la fábrica de hielo como se especifica en las instrucciones de instalación del producto.

## Tubo de ventilación

**NOTA:** No pellizque, doble o dañe el tubo de ventilación. Revise que no esté dañado, pellizcado o torcido entre el gabinete y la fábrica de hielo.



A. Tubo de ventilación  
B. Brida para cable  
C. Retén plástico

19. Revise todas las conexiones en busca de fugas.

## ⚠ ADVERTENCIA



### Peligro de Choque Eléctrico

**Conecte a un contacto de pared de conexión a tierra de 3 terminales.**

**No quite la terminal de conexión a tierra.**

**No use un adaptador.**

**No use un cable eléctrico de extensión.**

**No seguir estas instrucciones puede ocasionar la muerte, incendio o choque eléctrico.**

20. Enchufe la fábrica de hielo o reconecte el suministro de energía.
21. Encienda la fábrica de hielo.
22. Espere el ciclo de enjuague, aproximadamente 5 minutos, para asegurar que la fábrica de hielo esté funcionando adecuadamente.



## Conexión de desagüe

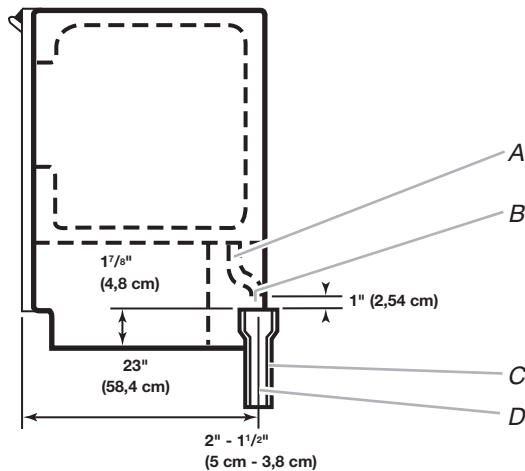
### Sistema de desagüe por gravedad

Conecte la manguera de la bomba de desagüe a su desagüe de conformidad con todos los códigos y ordenanzas locales y estatales. Si la fábrica de hielo viene con un sistema de desagüe por gravedad, siga estas directrices cuando instale las líneas de desagüe. Esto ayudará a evitar que el agua regrese al cajón de almacenaje de la fábrica de hielo y probablemente caiga en el piso ocasionando daños.

- Las líneas de desagüe deben tener un mínimo de 5/8" (15,88 mm) de D.I. (diámetro interno).
- Las líneas de desagüe deben tener una caída de 1" por 48" (2,54 cm por 122 cm) de recorrido o 1/4" de caída por 12" (6,35 mm por 30,48 cm) por recorrido y no debe tener puntos bajos donde el agua pueda asentarse.
- Los desagües por el piso deben ser lo suficientemente grandes para acomodar todos los desagües.
- La instalación ideal tiene un tubo vertical con un reductor de desagüe de PVC de 1½" (3,81 cm) a 2" (5,08 cm) instalado directamente debajo de la salida del tubo de desagüe, como se ilustra. Usted debe mantener un espacio de aire de 1" (2,54 cm) entre la manguera de la bomba de desagüe y el tubo vertical.
- No conecte el extremo del tubo de desagüe a un sistema de tubería cerrada para evitar que el agua de desagüe entre de vuelta a la fábrica de hielo.

**IMPORTANTE:** Cuando no hay disponible un desagüe por el piso, es necesario tener una bomba de desagüe. Hay disponible para la venta un juego de bomba de desagüe, pieza número 1901A.

#### Vista lateral



- A. Manguera de desagüe  
B. Brecha de aire de 1" (2,54 cm)  
C. Reductor de desagüe de PVC  
D. El centro del desagüe deberá estar a 23" (58,4 cm) del frente de la puerta, con o sin el panel de 3/4" (1,91 cm) en la puerta. El desagüe debe estar centrado de izquierda a derecha (7 5/16" [18,56 cm] a cada lado de la fábrica de hielo).

### Sistema de la bomba de desagüe (en algunos modelos)

#### IMPORTANTE:

- Conecte el desagüe de la fábrica de hielo a su desagüe de conformidad con el International Plumbing Code (Código internacional de plomería) y los códigos y ordenanzas locales.

- La línea de descarga de la bomba de desagüe debe terminar en un desagüe abierto.
  - Elevación máxima: 10 pies (3,1 m)
  - Recorrido máximo: 100 pies (30,5 m)

#### NOTAS:

- Si la manguera de desagüe se tuerce y el agua no sale, su fábrica de hielo no funcionará.
- Sería ideal aislar la línea de desagüe completamente hasta el orificio de entrada del desagüe. Hay disponible para la venta un juego de manguito aislador, pieza número W10365792.
- No conecte el extremo del tubo de desagüe a un sistema de tubería cerrada para evitar que el agua de desagüe entre de vuelta a la fábrica de hielo.
- Capacidad máxima de la bomba de desagüe: Por cada 1 pie (0,31 m) de elevación, reste 10 pies (3,1 m) de recorrido máximo permitido.

### Conexión del desagüe

Luego de asegurarse de que el sistema de desagüe es el adecuado, siga estos pasos para colocar la fábrica de hielo en un lugar apropiado:

## ⚠ ADVERTENCIA



#### Peligro de Choque Eléctrico

- Conecte a un contacto de pared de conexión a tierra de 3 terminales.
- No quite la terminal de conexión a tierra.
- No use un adaptador.
- No use un cable eléctrico de extensión.
- No seguir estas instrucciones puede ocasionar la muerte, incendio o choque eléctrico.

1. Conecte a un contacto de pared con conexión a tierra de 3 terminales.

## ⚠ ADVERTENCIA

#### Peligro de Peso Excesivo

- Use dos o más personas para mover e instalar la fábrica de hielo.
- No seguir esta instrucción puede ocasionar una lesión en la espalda u otro tipo de lesiones.

2. **Estilo 1:** para el sistema de desagüe por gravedad, empuje la fábrica de hielo a su posición de modo que el tubo de desagüe de la fábrica quede ubicado encima del reductor de desagüe de PVC. Vea "Sistema de desagüe por gravedad".  
**Estilo 2:** para el sistema de bomba de desagüe, conecte la manguera de salida de la bomba de desagüe al desagüe. Vea "Sistema de bomba de desagüe".
3. Vuelva a revisar la fábrica de hielo para asegurarse de que esté nivelada. Vea "Nivelación".
4. Si el código de higiene local lo requiere, selle el gabinete al piso con un compuesto de enmasillado aprobado después de haber efectuado todas las conexiones eléctricas y de agua.

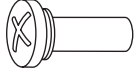


## Reversión de puertas— Solo lado de apertura

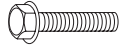
### Herramientas necesarias

Reúna las herramientas y piezas necesarias antes de comenzar la instalación.

- Llave de 5/16"
- Cuchillo plano para masilla
- Llave de 1/4"
- Destornillador Phillips



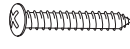
Pasador de bisagra



Tornillo de cabeza hexagonal para bisagra de 5/16"

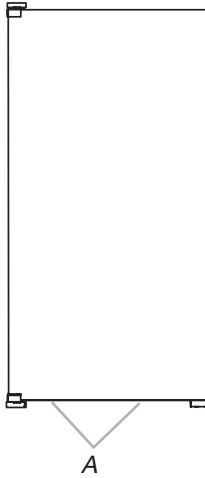


Tornillo para manija



Tornillo de la cubierta del extremo

### Retire el panel de ajuste de puerta de acero inoxidable (en algunos modelos)



A. Tornillos de cabeza hexagonal

1. Retire los dos tornillos de cabeza hexagonal ubicados bajo el panel de ajuste de puerta de acero inoxidable en la parte inferior de la puerta.
2. Jale el panel de ajuste hacia arriba y afuera desde el fondo.
3. Gire el panel de ajuste hasta que se separe de la puerta y jale hacia arriba.

**NOTA:** Asegúrese de que las protecciones de los bordes no se separen del panel de ajuste de la puerta.

## Reversión de tapa y tope de puerta

### ⚠ ADVERTENCIA



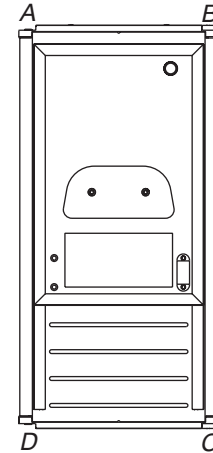
#### Peligro de Choque Eléctrico

**Desconecte el suministro de energía antes de darle mantenimiento.**

**Vuelva a colocar todos los componentes y paneles antes de hacerlo funcionar.**

**No seguir estas instrucciones puede ocasionar la muerte o choque eléctrico.**

1. Desenchufe la fábrica de hielo o desconecte el suministro de energía.
2. Quite la manija y los tornillos de la misma (en algunos modelos).
3. Quite el pasador de la bisagra superior.
4. Retire la puerta desde las bisagras y vuelva a colocar el pasador de la bisagra superior.
5. Retire el tornillo y el tope de la puerta en la esquina A. Retire el tornillo y la tapa superior en la esquina C. Coloque el tope de puerta en la esquina C y apriete los tornillos. Coloque la tapa en la esquina A y apriete los tornillos.
6. Retire el tornillo y el tope de la puerta en la esquina D. Retire el tornillo y la tapa superior en la esquina B. Coloque el tope de puerta en la esquina B y apriete los tornillos. Coloque la tapa en la esquina D y apriete el tornillo.



A. Esquina superior abierta (sin cubierta del extremo)

C. Cubierta del extremo al comienzo de la esquina inferior

B. Cubierta del extremo al comienzo de la esquina superior

D. Esquina inferior abierta (sin cubierta de extremo)

7. Dependiendo de su modelo, la placa con la marca para la puerta delantera de la fábrica de hielo puede estar en el paquete con el Manual de uso y cuidado. Pegue la placa con la marca en la puerta.
8. Ponga la puerta a un lado.

## Invierta las bisagras

1. Destornille y saque la bisagra superior. Vuelva a colocar los tornillos en los orificios vacíos para la bisagra.
2. Saque los tornillos de la parte inferior del lado opuesto de la carcasa de la fábrica de hielo. Dé vuelta la bisagra superior de manera que el pasador de la misma apunte hacia arriba. Coloque la bisagra en el lado inferior opuesto de la fábrica de hielo y ajuste los tornillos.
3. Saque los tornillos "viejos" de la bisagra inferior y la bisagra. Vuelva a colocar los tornillos en los orificios vacíos para la bisagra.
4. Saque los tornillos de la parte superior del lado opuesto de la carcasa de la fábrica de hielo. Dé vuelta la bisagra de manera que el pasador de la misma apunte hacia abajo. Coloque la bisagra en el lado superior opuesto de la fábrica de hielo y ajuste los tornillos.
5. Saque el pasador de la bisagra superior.

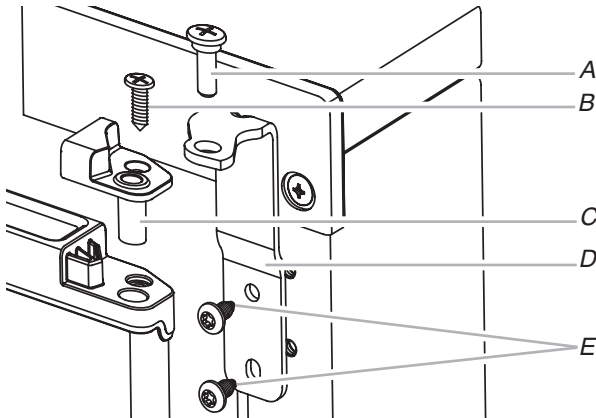
## Vuelva a colocar la puerta

1. Coloque la puerta en el pasador de la bisagra inferior.
2. Alinee la puerta con el orificio de la bisagra superior y vuelva a colocar el pasador de la bisagra superior.
3. Vuelva a colocar la manija y los tornillos de la misma.

## Reemplazo de recubrimiento de puerta (en algunos modelos)

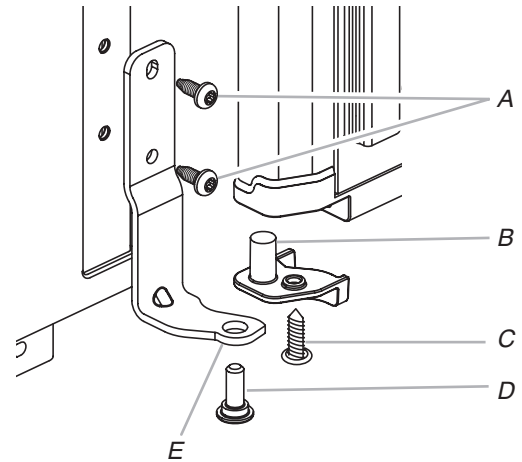
1. Coloque la brida del recubrimiento de puerta sobre la parte superior de la puerta y asegúrese de que coincida correctamente.
2. Haga girar el recubrimiento de puerta hacia abajo hasta que cubra la superficie de la puerta completamente.
3. Instale los dos tornillos de cabeza hexagonal en la parte inferior de la puerta.

## Bisagra superior



- A. Pasador de la bisagra  
B. Tornillos Phillips para avellanar  
C. Manga del pasador de la bisagra  
D. Bisagra  
E. Tornillo de cabeza hexagonal para bisagra

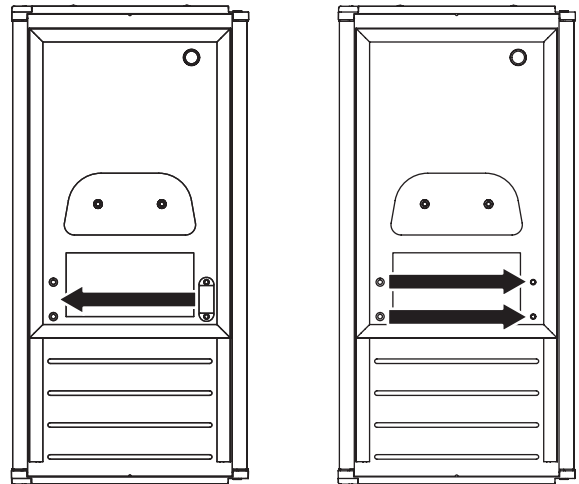
## Bisagra inferior



- A. Tornillo de cabeza hexagonal para bisagra  
B. Manga del pasador de la bisagra  
C. Tornillos Phillips para avellanar  
D. Pasador de la bisagra  
E. Bisagra

## Cómo invertir el seguro de la puerta

1. Saque los tornillos decorativos blancos del lado opuesto de la puerta y déjelos aparte.
2. Retire los tornillos del seguro magnético de la puerta y colóquelos en el lado opuesto de la puerta.



3. Instale los tornillos decorativos blancos en el lado opuesto de la puerta.

## ⚠ ADVERTENCIA



### Peligro de Choque Eléctrico

Conecte a un contacto de pared de conexión a tierra de 3 terminales.

No quite la terminal de conexión a tierra.

No use un adaptador.

No use un cable eléctrico de extensión.

No seguir estas instrucciones puede ocasionar la muerte, incendio o choque eléctrico.

4. Conecte a un contacto de pared con conexión a tierra de 3 terminales.

## Nivelación

Es importante que la fábrica de hielo esté nivelada para que funcione adecuadamente. Dependiendo del lugar donde instale la fábrica de hielo, puede necesitar hacer varios ajustes para nivelarla. También puede usar las patas niveladoras para reducir la altura de la fábrica de hielo para las instalaciones debajo de mostradores.

### Herramientas necesarias

Reúna las herramientas y piezas necesarias antes de comenzar la instalación.

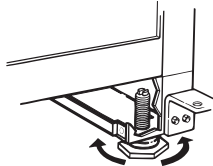
- Nivel
- Llave ajustable

**NOTA:** Es más fácil ajustar las patas niveladoras si tiene otra persona para ayudarlo.

1. Mueva la fábrica de hielo a su ubicación final.
 

**NOTA:** Si ésta es una instalación empotrada, mueva la fábrica de hielo tan cerca de su ubicación final como sea posible.
2. Coloque un nivel en la parte superior del producto para ver si la fábrica de hielo está nivelada desde adelante hacia atrás y de lado a lado.
3. Empuje hacia arriba en la parte superior frontal de la fábrica de hielo y luego localice los tornillos niveladores que se encuentran en la parte inferior frontal de la fábrica de hielo.
4. Usando una llave de tuercas ajustable, cambie la altura de las patas de la siguiente manera:
  - Gire la pata niveladora hacia la derecha para bajar ese lado de la fábrica de hielo.
  - Gire la pata niveladora hacia la izquierda para levantar ese lado de la fábrica de hielo.

**NOTA:** La fábrica de hielo no debe oscilar. Use calzas para agregar estabilidad, si es necesario.



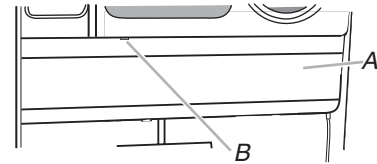
5. Empuje hacia arriba en la parte superior trasera de la fábrica de hielo y localice las patas niveladoras que se encuentran en la parte inferior trasera de la fábrica de hielo.
6. Siga las instrucciones del paso 4 para cambiar la altura de las patas.
7. Use un nivel para volver a verificar la fábrica de hielo para ver si está nivelada desde adelante hacia atrás y de lado a lado. Si la fábrica de hielo no está nivelada, repita desde el paso 2 hasta el 5. Si la fábrica de hielo está nivelada, vaya a la sección "Conexión de suministro de agua".

## Limpieza

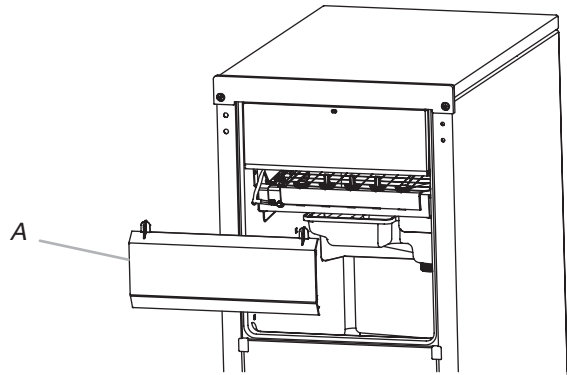
### Piezas interiores

1. Desenchufe la fábrica de hielo o desconecte el suministro de energía.
2. Abra la puerta del cajón de almacenaje y quite el hielo que está en el cajón.
3. Quite la tapa de desagüe de la bandeja del agua y deságüela por completo. Vuelva a colocar la tapa de desagüe en la bandeja, enroscándolo firmemente. Si la tapa de desagüe está floja, el agua se vaciará de la bandeja de agua y usted tendrá hielo delgado o no tendrá hielo.
4. Jale la parte inferior de la cubierta de la rejilla de corte hasta que el seguro se libere para retirar.
 

**NOTA:** En algunos modelos, retire el tornillo de la cubierta de la rejilla de corte.
5. Desenchufe el arnés eléctrico del lado izquierdo de la rejilla de corte.



A. Cubierta de la rejilla de corte  
B. Tornillo (en algunos modelos)

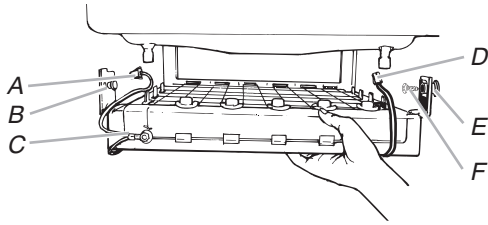


A. Cubierta de la rejilla de corte

6. Desenchufe el sensor de nivel del hielo del lado derecho de la rejilla de corte. Jale el sensor de nivel del hielo hacia abajo y hacia adelante para separarlo de la rejilla de corte.

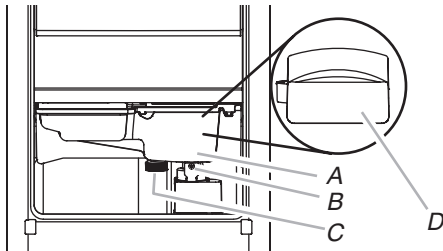
7. Retire los tornillos del lado derecho e izquierdo. Levante y saque la rejilla de corte.

**NOTA:** Asegúrese de que el separador plástico que se encuentra en el lado derecho del soporte de la rejilla de corte permanezca con la rejilla de corte.



- A. Arnés de la rejilla de corte  
 B. Tornillo  
 C. Rejilla de corte  
 D. Arnés del sensor de nivel del hielo  
 E. Espaciador de plástico  
 F. Tornillo

8. Quite los dos tornillos que sostienen la bandeja del agua en su lugar. Jale de la parte delantera de la bandeja de agua.  
 9. Desconecte el soporte de la bomba de la bandeja de agua y desconecte la bomba de desagüe de la bandeja de agua.



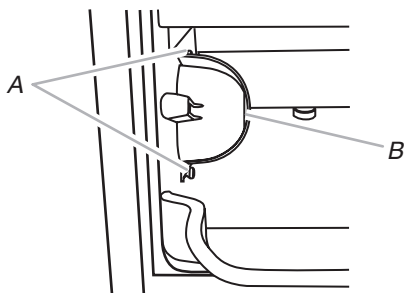
- A. Bandeja de agua  
 B. Tornillo bandeja de agua  
 C. Tapón de desagüe  
 D. Cubierta de bomba de desagüe

10. Quite, limpie y vuelva a colocar la palita para hielo y su soporte.

**NOTA:** En algunos modelos, el soporte de la palita para hielo está en la parte superior izquierda de la unidad, mientras que en otros modelos está en la parte inferior izquierda.

**En algunos modelos**

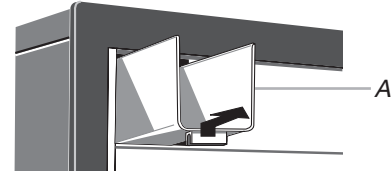
- Quite los 2 tornillos para quitar el soporte.
- Lave la palita para hielo y su soporte junto con las otras piezas interiores, siguiendo las instrucciones a continuación.
- Vuelva a colocar los tornillos para instalar nuevamente el soporte de la palita para hielo.



- A. Tornillo  
 B. Soporte de la palita para hielo

**En algunos modelos**

- Después de quitar la palita para hielo, retire el soporte removiendo los 2 tornillos.
- NOTA:** En algunos modelos, quite el soporte levantándolo y después tirando hacia fuera.
- Lave el soporte de la palita para hielo junto con las otras piezas interiores, siguiendo las instrucciones a continuación.
- Vuelva a colocar el soporte de la palita para hielo quitando los tornillos o, en algunos modelos, empujando el soporte al interior y después hacia abajo.



A. Soporte de la palita para hielo

11. Lave con jabón o detergente suave y agua tibia las piezas interiores (la rejilla de corte, el exterior de las mangueras y la bandeja del agua), y el depósito de hielo, la junta de la puerta, la palita para hielo y su soporte. Enjuague en agua limpia. Luego limpie las mismas piezas en una solución de una cucharada (15 mL) de blanqueador doméstico mezclado con 1 galón (3.8 L) de agua tibia. Nuevamente enjuáguelas a fondo en agua limpia.
- NOTA:** No quite las mangueras. No lave las piezas de plástico en la lavavajillas. Éstas no pueden soportar temperaturas superiores a los 145°F (63°C).
12. Para volver a colocar la bandeja de agua, colóquela dentro del depósito de hielo. Conecte la bomba de la bandeja de agua. Encaje a presión la abrazadera de la bomba nuevamente en la bandeja de agua y colóquela nuevamente en su posición. Asegure la bandeja del agua volviendo a colocar el tornillo de montaje.
13. Verifique lo siguiente:
- Que la tapa de desagüe de la bandeja del agua esté firme en su lugar. Si la tapa de desagüe está floja, el agua se vaciará de la bandeja de agua y usted tendrá hielo delgado o no tendrá hielo.
  - Que la manguera de la bandeja de agua esté conectada a la abertura del desagüe del cajón de almacenaje.
14. Deslice hacia atrás la rejilla de corte hasta colocarla en su lugar, y asegúrela volviendo a colocar el tornillo del lado derecho y el separador de plástico. Luego ajuste el tornillo del lado izquierdo. Vuelva a conectar los arneses de la rejilla de corte y del sensor de nivel del hielo.
15. Vuelva a colocar la cubierta de la rejilla de corte.
- NOTA:** En algunos modelos, vuelva a colocar la cubierta de la rejilla de corte usando el tornillo quitado anteriormente.
16. Limpie el panel de control con cuidado, usando un paño para vajilla con agua tibia y un detergente suave para vajilla.
17. Enchufe la fábrica de hielo o reconecte el suministro de energía.
18. Después de limpiarlo, asegúrese de que todos los controles se hayan programado correctamente y que ningún indicador de control esté destellando.

