



Fiji

MB3666L (left side drain),

MB3666R (right side drain)

Actual Size: 36x66x24

Soaking Depth: 16 inches

Shipping Size: 38x68x32

Shipping Weight: 250 lbs.

Net Weight: 180 lbs.

Water Capacity: 90 gal

Occupied: 55-75 gal

Included Features - Fiji

1. Acrylic Tub Shell:
 - Gloss White Finish
 - Fiberglass Reinforced
2. Stainless steel frame with leveling legs
3. Removable front apron
4. Acrylic end panel
5. Wide panoramic glass front
6. Four (4) LED Chromatherapy Lights
7. MicroBubble Therapy System 10AMP 1200W
 - Digital Control
 - 1HP Pump
 - Pressure Vessel
 - Agitator Valve

Floor Drains

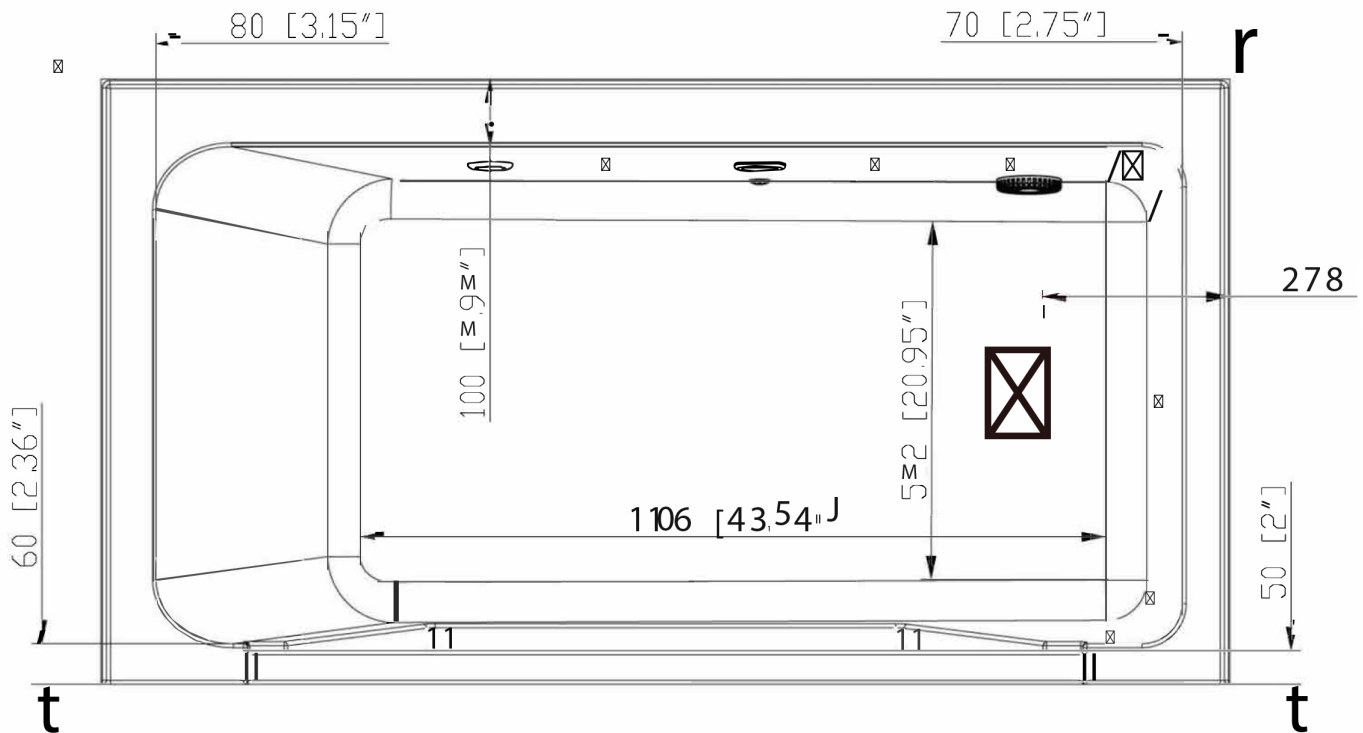
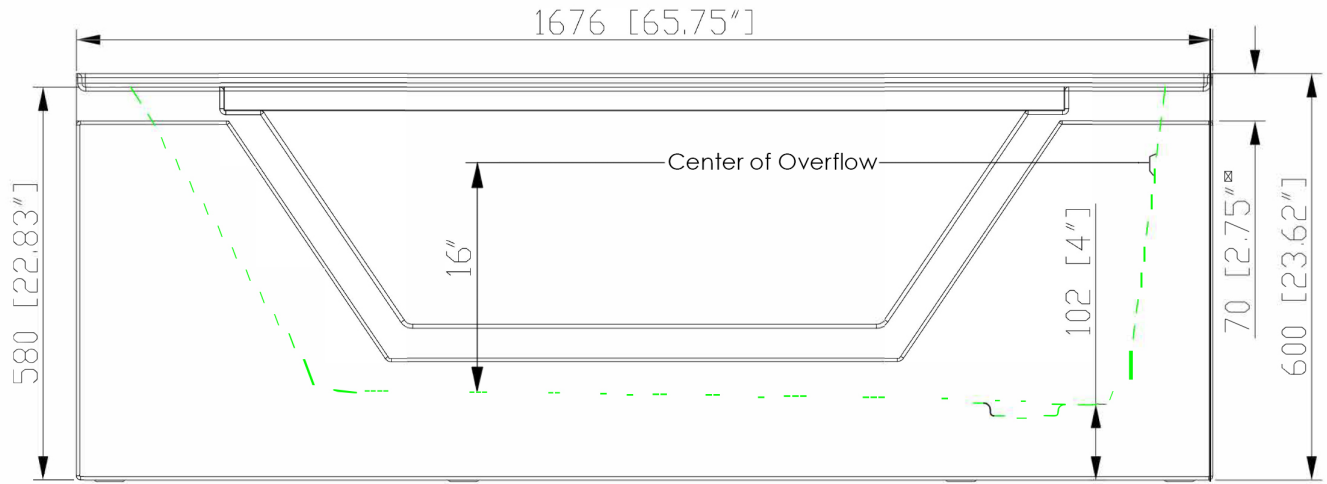
- One (1) 2" PVC T-type two (2) outlet drain with endcap
- One (1) overflow and cable operated opener with extended handle for easier grip in chrome finish

Warranty

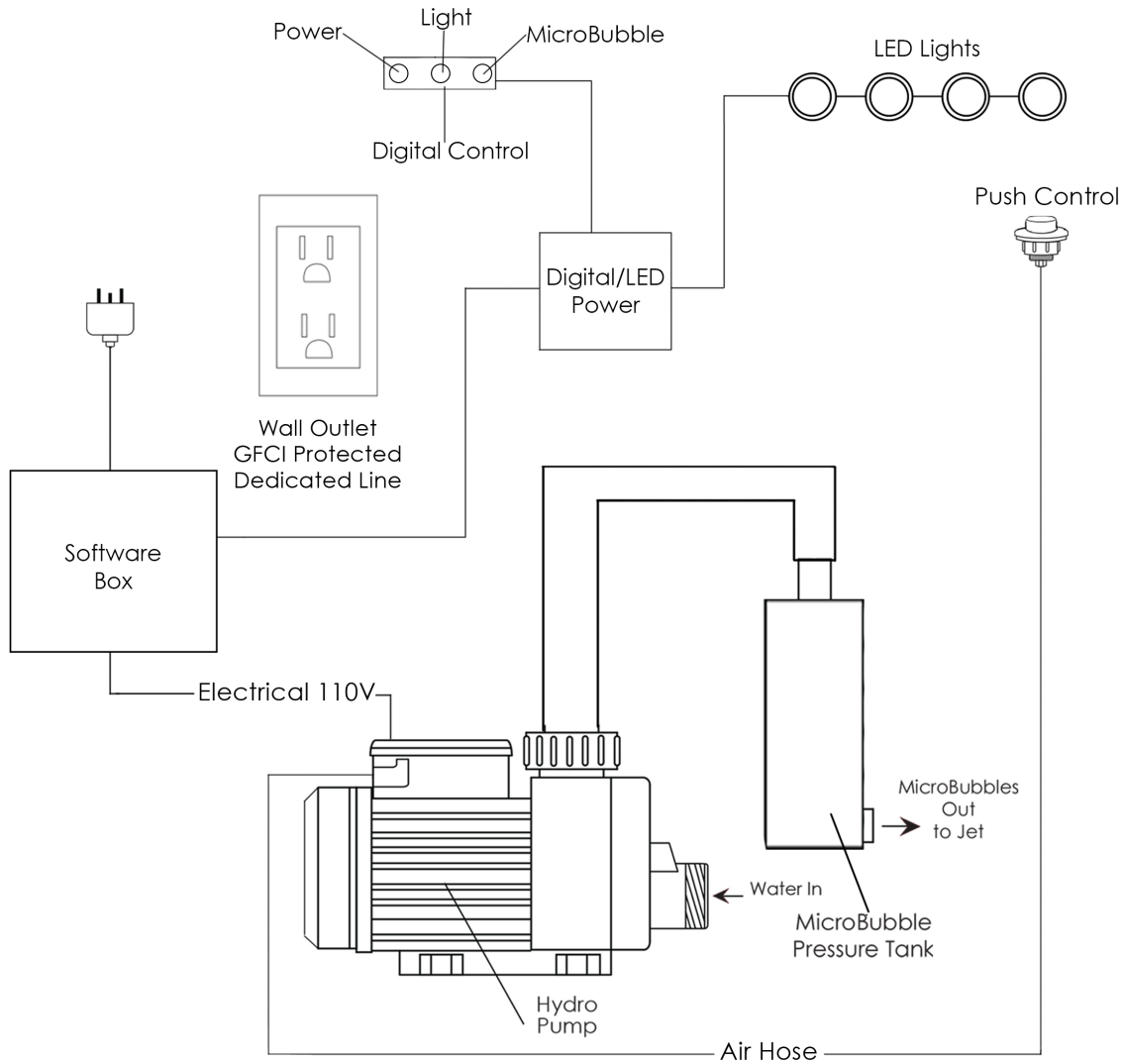
- 5 year warranty on tub shell, frame and parts (please visit www.ellasbubbles.com for detailed information)

Electrical Requirements:

One (1) dedicated 120V electrical line with a 20AMP GFCI standard three prong outlet is required



Infusion™ Microbubble Therapy



Package Jetting Information:

1. MicroBubble Therapy System 10AMP 1200W

- 1HP Pump
- Pressure Vessel
- Air Switch and one (1) jet
- Agitator Valve

Electrical Requirements:

One (1) dedicated 120V electrical line with a 20AMP GFCI standard three prong outlet is required