

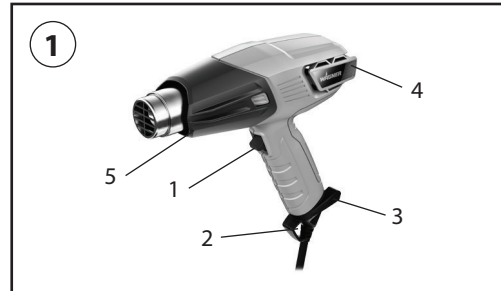
## Using the Heat Gun



Always read the safety information included in this manual before using the heat gun.

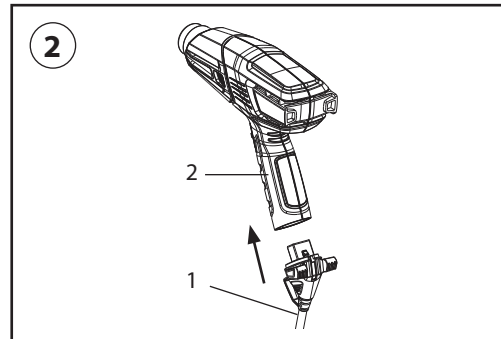
### Component Description (Fig. 1)

- 1) 2 speed switch  
(0 = OFF, 1 = LOW, 2 = HIGH)
- 2) Hanging hook
- 3) Handle stabilizers & cordset  
(Removable with tool)
- 4) Rear stabilizer fins (stand)
- 5) Heat shield



### Attaching the power cord (Fig. 2)

The power cord (Fig. 2, 1) for the heat gun is delivered detached from the gun (Fig. 2, 2). To attach, line up the cord by the forward facing groove with the socket on the handle of the gun and press together until you hear a click.



### Hands-free operation (Fig. 3)

The heat gun has an integrated stand for bench top applications and cool down mode.



### Startup

1. Plug the unit into a standard wall outlet.
2. Turn on the unit by moving the switch to the desired setting. The motor driven fan noise will indicate that the unit is running. The heating coil will glow.
3. Always disconnect heat gun from the power supply at completion of task.

**Note:** Smoke may appear during the initial start up due to the burning of manufacturing oils. The smoke should disappear in less than a minute.