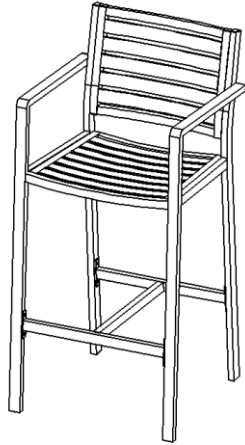




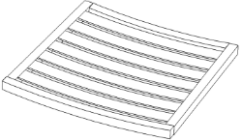

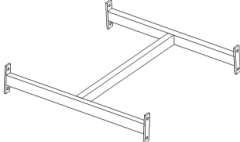
Assembly Instructions

Caution : You must read this before you proceed

BARSTOOL



Parts List

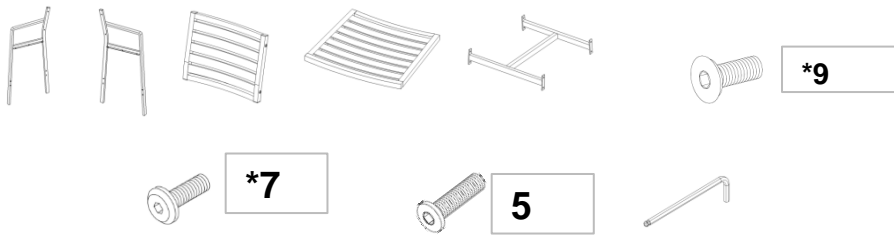
Label	Picture	Description	QTY
A		Left Leg	1
B		Right Leg	1
C		Seat	1
D		Backrest	1
E		Footrest	1

Hardware

Label	Picture	Description	QTY
①		Bolt (M6*20MM)	7
②		Bolt (M6*20MM)	9
③		Bolt (M6*35MM)	5
④		Allen Key	1

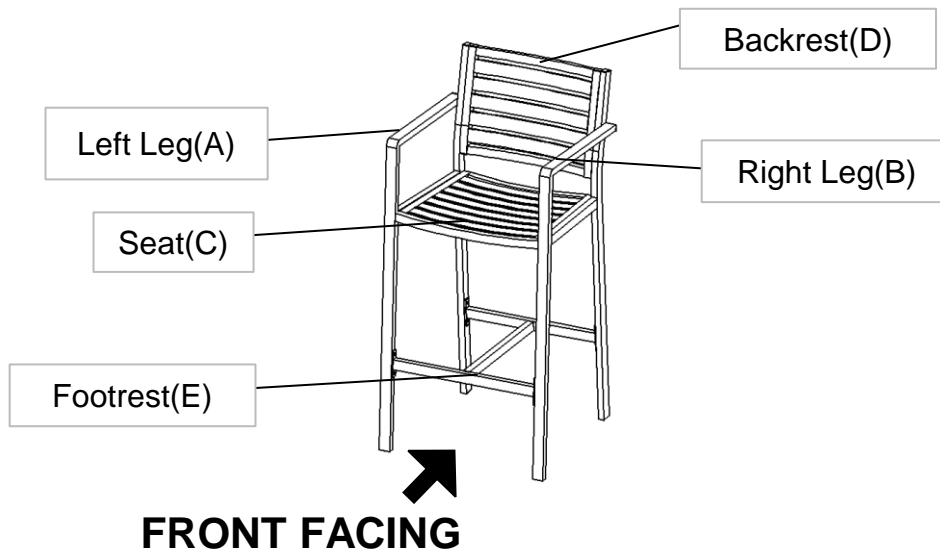
Assembly Preparation

Before Beginning Assembly:



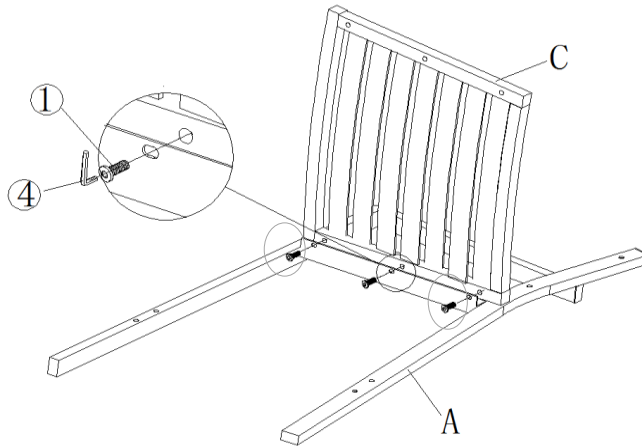
- Read instructions, cover to cover-
- Have 2 adults on hand for assembly-
- Do not assemble on flooring or carpet-
- Assemble on a clean non-marring surface (packing foam)-
- Save all packaging until finished-

Assembly Steps



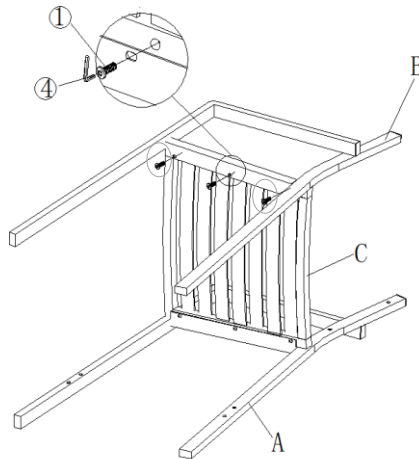
This Barstool has multiple parts and may require up to 30 minutes to assemble. To give you an overview of the Barstool parts, the above picture is to help you put the various parts into perspective. Please read through the instructions below to familiarise yourself with the parts and steps before assembly.

Step 1



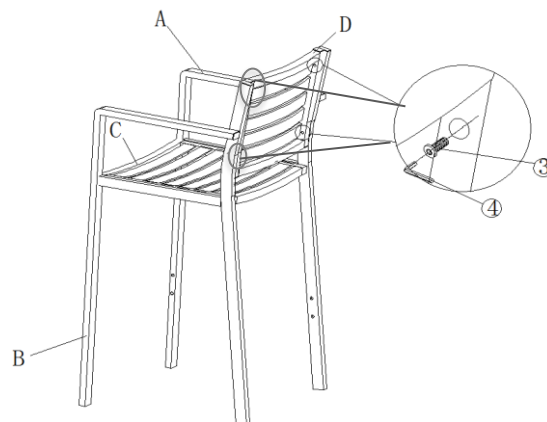
Open the carton and place all the parts onto a clean, non-marring surface.
Place the Left Leg(A) facedown.
Attach Seat(C) to Left Leg(A) using Bolts(1) with Allen Key(4) as shown above.
Do not fully tighten the Bolts.

Step 2



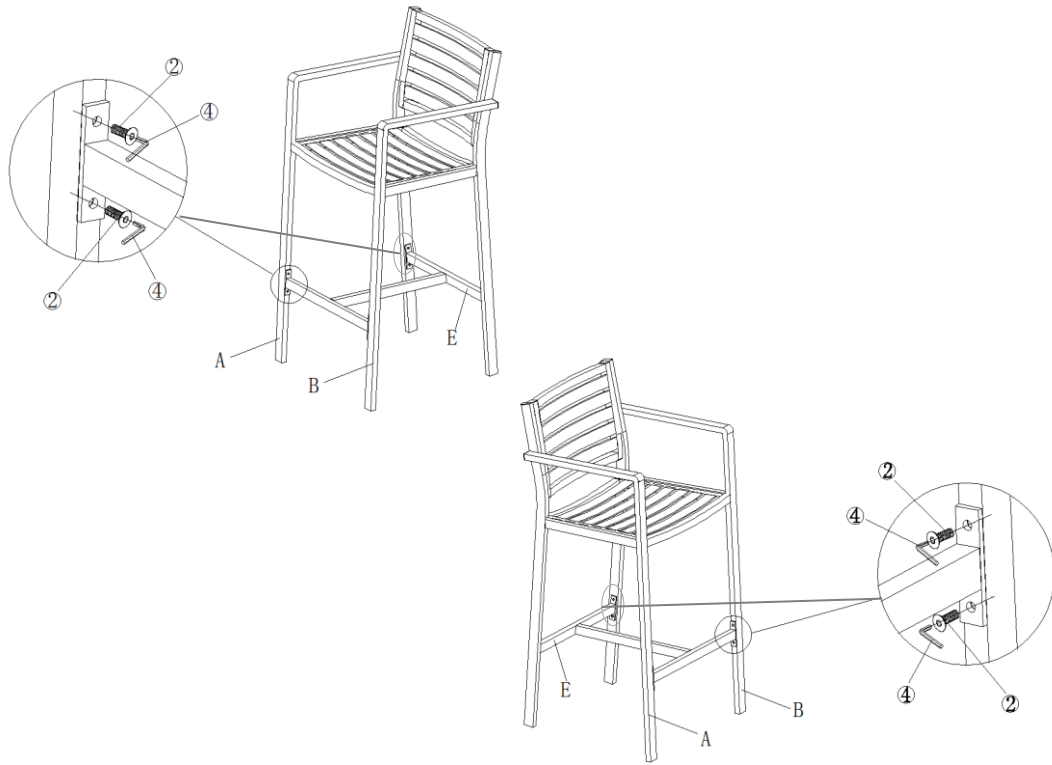
Attach Right Leg(B) to Seat(C) using Bolts(1) with Allen Key(4) as shown above.
Do not fully tighten the Bolts.

Step 3



Attach Backrest(D) between Right Leg(B) and Left Leg(A) using Bolts(3) with Allen Key(4) as shown above.
Do not fully tighten the Bolts.

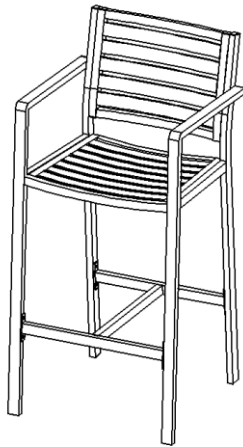
Step 4



Attach Footrest(E) between Right Leg(B) and Left Leg(A) using Bolts(②) with Allen Key(④) as shown above.

Do not fully tighten the Bolts.

Step 5



Stand the Barstool up and check for stability.



















Then proceed to tighten all Bolts at all joints.

Note: DO NOT fully tighten any Bolt in one go and then move on to the next. Rather, in a sequential manner, gradually tighten each Bolt until all Bolts are evenly secured. This methodology will ensure maximum evenness once all Bolts are fully tightened.

Your Barstool is ready for use.

This Barstool can only be used on a flat and level surface.

Care & Maintenance

-   ● Do not put hot items directly on furniture surface
 -   ● Do not clean furniture with harsh cleansers or polish.
 -   ● To obtain the longest lifespan of your outdoor products, minimizing exposure to direct sunlight is recommended.
 -   ● Children should not climb or jump on the furniture.
 -   ● Do not write on furniture without a padded barrier to protect the surface.
 -   ● To obtain the longest lifespan of your outdoor products, avoid extended and lengthy exposure to rain, snow, and direct sunshine. Whenever possible cover the product and /or place under patio or awnings.
 -   ● Not for commercial use. For residential use only .
 -   ● Stains may be removed with mild soap solution and damp cloth.
-
-   ● Dust and pick-up spills using a clean, non-colored, lint-free cloth .

Questions & Answers about Proposition 65

• What is Proposition 65?

Proposition 65 requires businesses to provide warnings to Californians about significant exposures to chemicals that cause cancer, birth defects or other reproductive harm. These chemicals can be in the products that Californians purchase, in their homes or workplaces, or that are released into the environment. By requiring that this information be provided, Proposition 65 enables Californians to make informed decisions about their exposures to these chemicals.

Proposition 65 also prohibits California businesses from knowingly discharging significant amounts of listed chemicals into sources of drinking water.

Proposition 65 requires California to publish a list of chemicals known to cause cancer, birth defects or other reproductive harm. This list, which must be updated at least once a year, has grown to include approximately 900 chemicals since it was first published in 1987.

• What types of chemicals are on the Proposition 65 list?

The list contains a wide range of naturally occurring and synthetic chemicals that include additives or ingredients in pesticides, common household products, food, drugs, dyes, or solvents. Listed chemicals may also be used in manufacturing and construction, or they may be byproducts of chemical processes, such as motor vehicle exhaust.

• What does a warning mean?

If a warning is placed on a product label or posted or distributed at a workplace, a business, or in rental housing, the business issuing the warning is aware or believes that it is exposing individuals to one or more listed chemicals.

By law, a warning must be given for listed chemicals unless the exposure is low enough to pose no significant risk of cancer or is significantly below levels observed to cause birth defects or other reproductive harm.

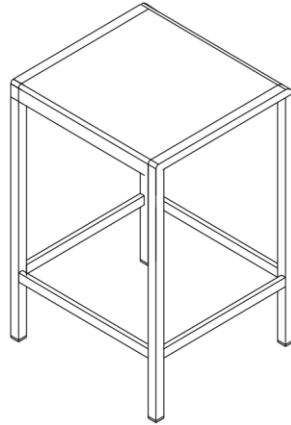
• Where can I get more information on Proposition 65?

If you have specific questions on the administration or implementation of Proposition 65, you can contact OEHHA's Proposition 65 program at P65.Questions@oehha.ca.gov, or by phone at (916) 445-6900.


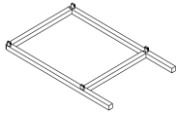


Assembly Instructions

Caution : You must read this before you proceed

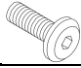


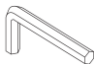
Table



Parts List

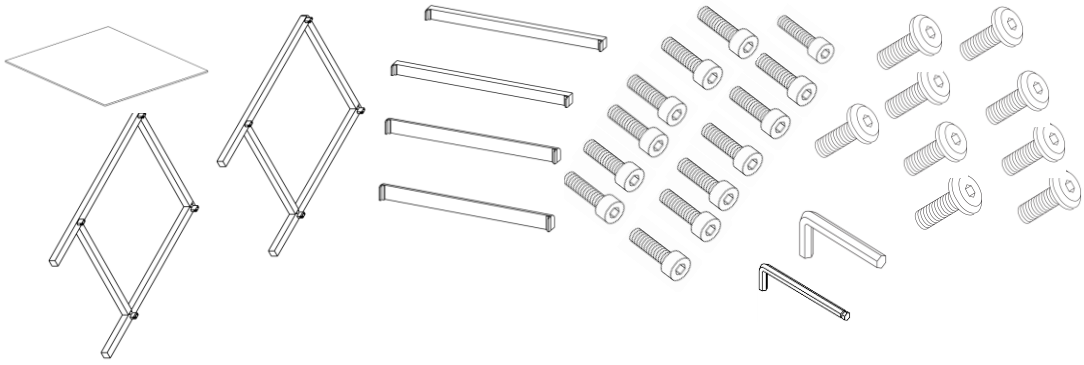
Label	Picture	Description	QTY
A		Glass Top	1
B		Leg	2
C		Top Side Bar	2
D		Footrest	2

Hardware

Label	Picture	Description	QTY
①		Bolt (M6*25MM)	9
②		Bolt (M6*20MM)	17
③		Allen Key	1
④		Allen Key	1

Assembly Preparation

Before Beginning Assembly:



- Read instructions, cover to cover-



- Have 2 adults on hand for assembly-



- Do not assemble on flooring or carpet-



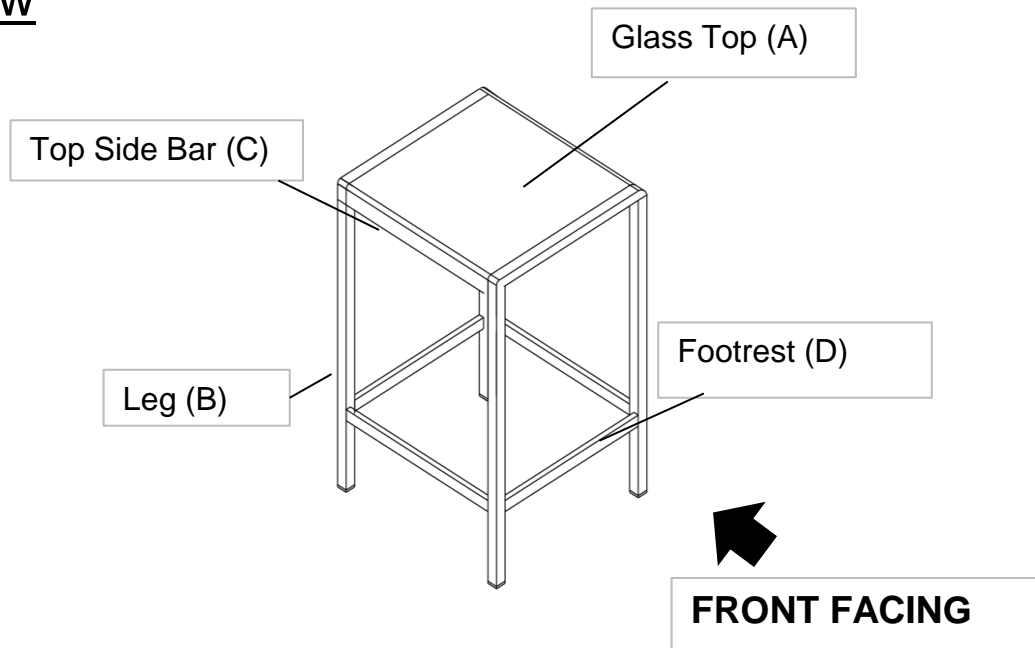
- Assemble on a clean non-marring surface (packing foam)-



- Save all packaging until finished-

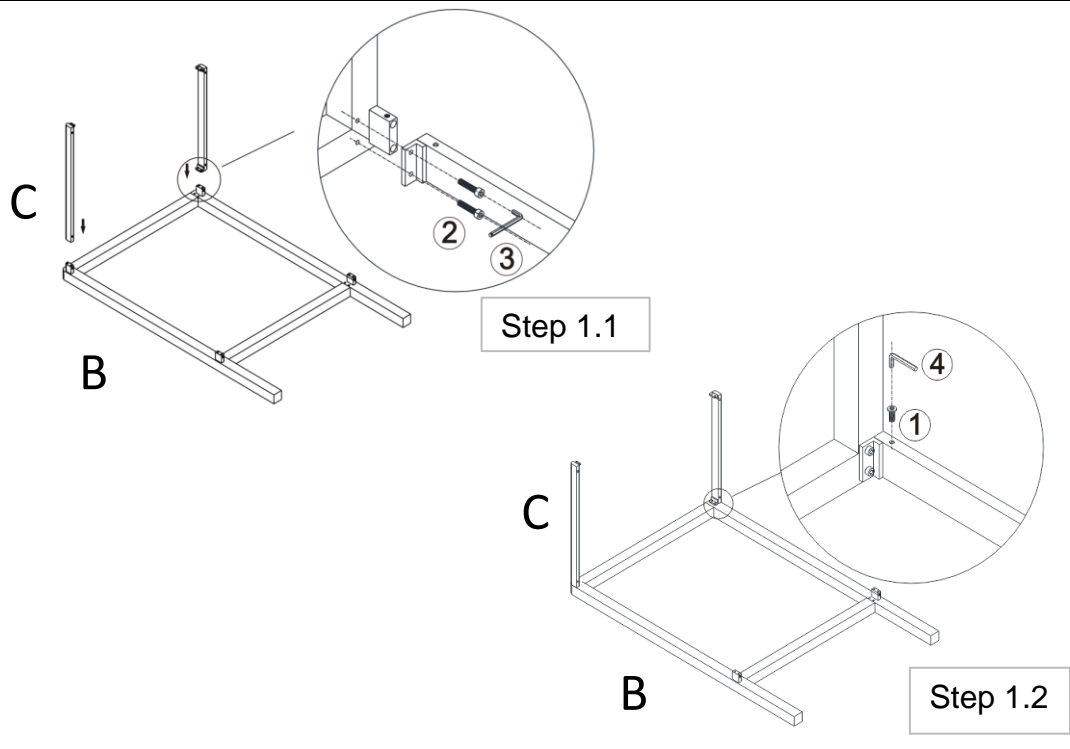
Assembly Steps

Overview



This Table has multiple parts and may require up to 30 minutes to assemble. To give you an overview of the Table parts, the above picture is to help you put the various parts into perspective. Please read through the instructions below to familiarise yourself with the parts and steps before assembly.

Step 1



Open the carton and place all the parts onto a clean, non-marring surface.

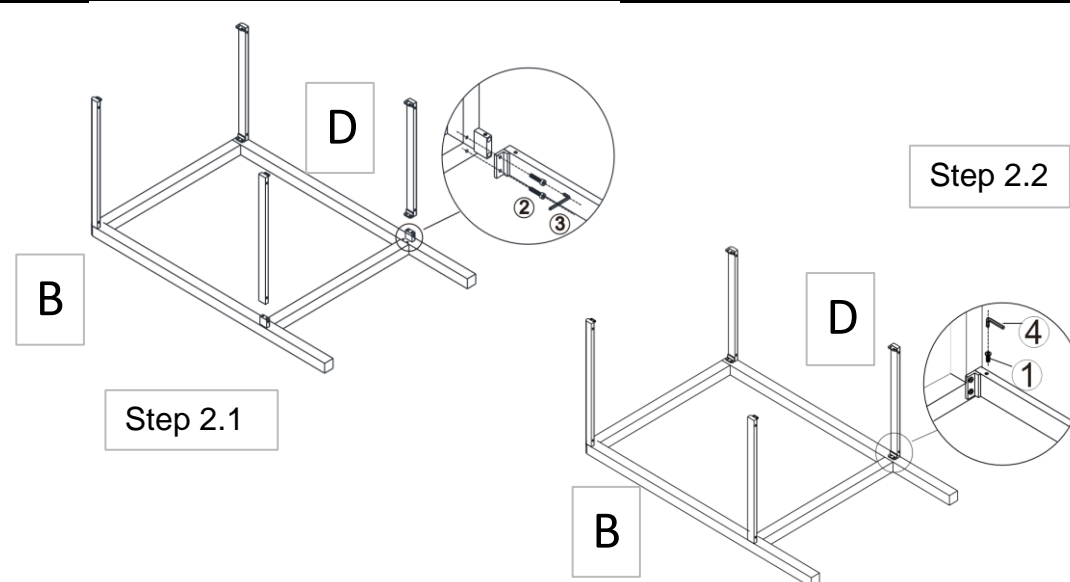
Place the Leg(B) with its inside facing up. Insert Top Side Bars(C) into Leg(B).

1.1) Attach the Top Side Bar(C) to Leg(B) using Bolts(②) with Allen Key(③) as shown above.

1.2) Attach the Top Side Bar(C) to Leg(B) using Bolts(①) with Allen Key(④) as shown above.

Do not fully tighten the Bolts.

Step 2



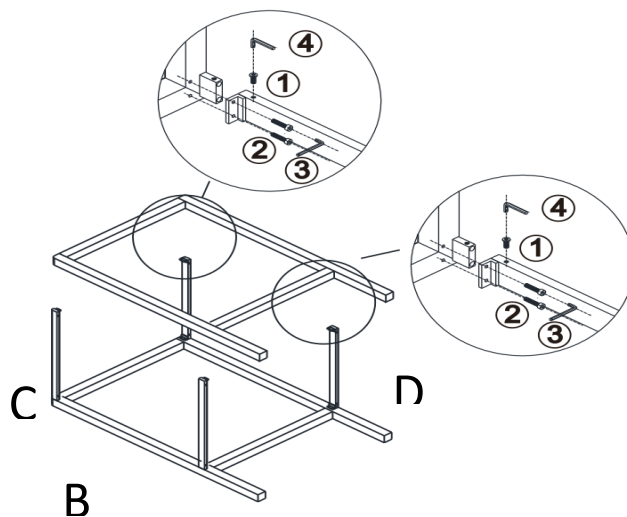
Insert Footrests(D) into Leg(B).

2.1) Attach the Footrest(D) to Leg(B) using Bolts(②) with Allen Key(③) as shown above.

2.2) Attach the Footrest(D) to Leg(B) using Bolts(①) with Allen Key(④) as shown above.

Do not fully tighten the Bolts.

Step 3

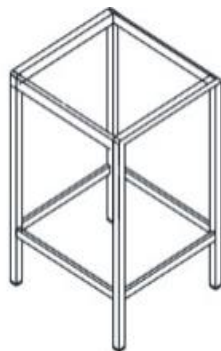


Attach Leg(B) to Top Side Bars(C) and Footrests(D) using Bolts(②) with Allen Key(③) as shown above.

Attach Leg(B) to Top Side Bars(C) and Footrests(D) using Bolts(①) with Allen Key(④) as shown above

Do not fully tighten the Bolts.

Step 4

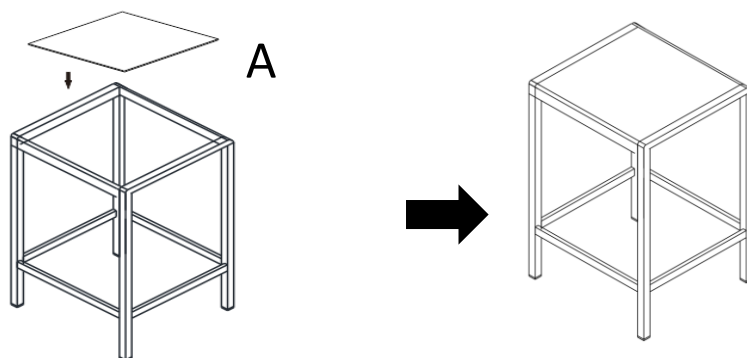


Stand the Table up and check for stability.

Then proceed to tighten all Bolts at all joints.

Note: DO NOT fully tighten a BOLT in one go and then move on to the next. Rather, in a sequential manner, gradually tighten each Bolt until all bolts are evenly secured. This methodology will ensure maximum evenness once all Bolts are fully tightened.

Step 5





















Carefully place the Glass Top(A) on the assembled Table Frame as show above.

Your Table is ready for use.

This Table can only be used on a flat and level surface.

Care & Maintenance

-   ● Do not put hot items directly on furniture surface
-   ● Do not clean furniture with harsh cleansers or polish.
-   ● To obtain the longest lifespan of your outdoor products, minimizing exposure to direct sunlight is recommended.
-   ● Children should not climb or jump on the furniture.
-   ● Do not write on furniture without a padded barrier to protect the surface.
-   ● To obtain the longest lifespan of your outdoor products, avoid extended and lengthy exposure to rain, snow, and direct sunshine. Whenever possible cover the product and /or place under patio or awnings.
-   ● Not for commercial use. For residential use only .
-   ● Stains may be removed with mild soap solution and damp cloth.

-
-   ● Dust and pick-up spills using a clean, non-colored, lint-free cloth .

What is Proposition 65?

Proposition 65 is a California law that requires warning labels on products that may contain one of more than 800-plus chemicals or ingredients that the California Office of Environmental Health Hazard Assessment (OEHHA) has deemed to cause cancer or other reproductive toxicity. Chemicals and elements on this list include wood dust, brass, and other everyday substances, which can be found in very common household items, such as: lamps, tableware, jewelry, crystal glasses, electric cords, beauty products, automobiles, and furniture.

Why Did I Find a Proposition 65 Warning on My Home Goods Product?

We include Proposition 65 warnings on all of our products because there is always a chance that one of the 800-plus common chemicals and ingredients listed under this law could potentially be on our furniture or packing materials. We risk large fines under this law, if we don't include this warning.

Should I worry?

We realize you may be worried finding this warning on our products, but we want to reassure you that the hazardous exposure limits for any of these chemicals have never been found on furniture products that we've shipped to our customers. Additionally, this warning label is very common and can be found on almost every piece of furniture sold in the state of California.

Just How Common Are Proposition 65 Warnings?

Proposition 65 warnings have become so common in California that it is hard to take a trip to a local bank, grocery store, or restaurant without finding at least one warning. In fact, even the Disney Land Resort has a Proposition 65 warning:

