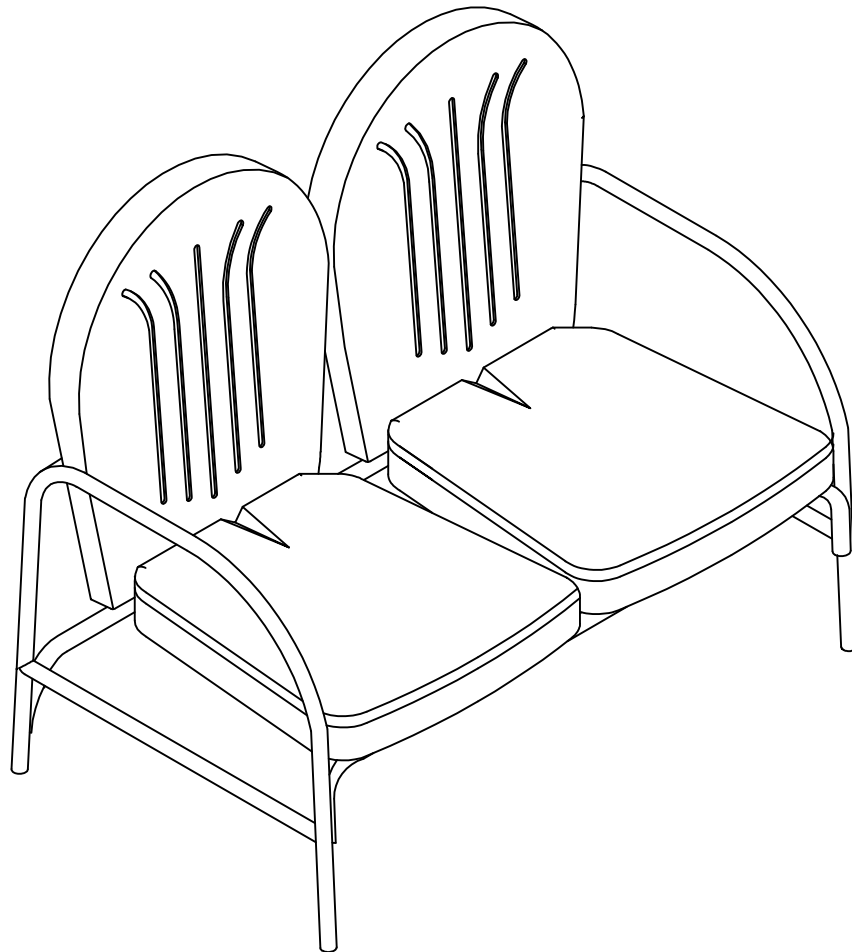


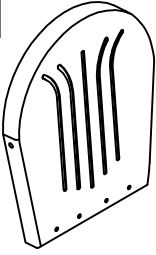
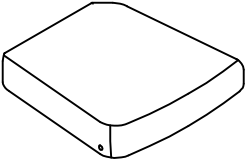
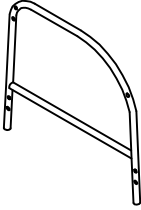
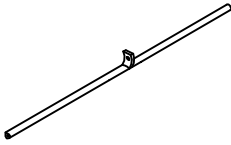
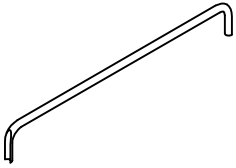


RETRO METAL GRIFFITH LOVESEAT

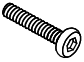


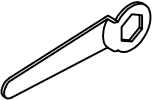
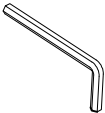
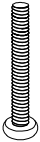

CO1002A



PART LIST

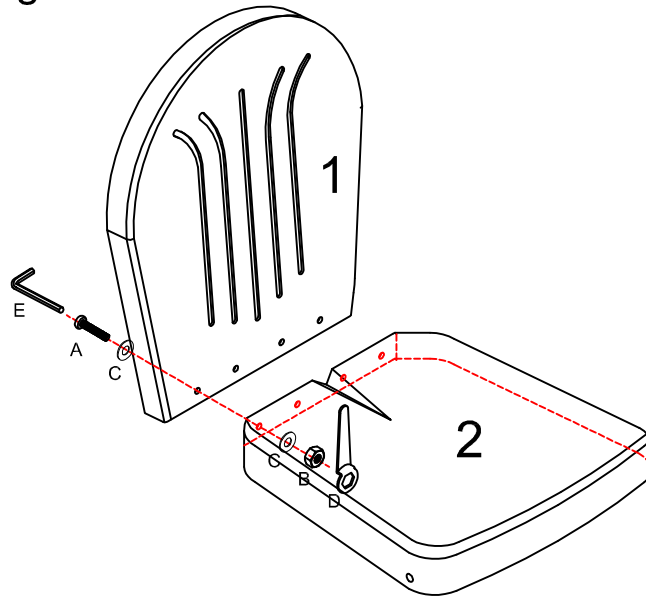
<div style="border: 1px solid black; padding: 2px; width: 20px; float: left; margin-right: 5px;">1</div> 	<div style="border: 1px solid black; padding: 2px; width: 20px; float: left; margin-right: 5px;">2</div> 	<div style="border: 1px solid black; padding: 2px; width: 20px; float: left; margin-right: 5px;">3</div> 	<div style="border: 1px solid black; padding: 2px; width: 20px; float: left; margin-right: 5px;">4</div> 	<div style="border: 1px solid black; padding: 2px; width: 20px; float: left; margin-right: 5px;">5</div> 
<p style="text-align: center;">Chair Backs 2 PCS</p>	<p style="text-align: center;">Chair Seats 2 PCS</p>	<p style="text-align: center;">Arms 2 PCS</p>	<p style="text-align: center;">Upper Crossbar 1 PC</p>	<p style="text-align: center;">Lower Crossbars 2 PCS</p>






HARDWARE LIST

<div style="border: 1px solid black; padding: 2px; width: 20px; float: left; margin-right: 5px;">A</div> 	<div style="border: 1px solid black; padding: 2px; width: 20px; float: left; margin-right: 5px;">B</div> 	<div style="border: 1px solid black; padding: 2px; width: 20px; float: left; margin-right: 5px;">C</div> 	<div style="border: 1px solid black; padding: 2px; width: 20px; float: left; margin-right: 5px;">D</div> 
<p style="text-align: center;">Short Bolts(M6x13mm) 10 PCS</p>	<p style="text-align: center;">Nuts 22 PCS</p>	<p style="text-align: center;">Flat Washers 46 PCS</p>	<p style="text-align: center;">Wrench 1 PC</p>
<div style="border: 1px solid black; padding: 2px; width: 20px; float: left; margin-right: 5px;">E</div> 	<div style="border: 1px solid black; padding: 2px; width: 20px; float: left; margin-right: 5px;">F</div> 	<div style="border: 1px solid black; padding: 2px; width: 20px; float: left; margin-right: 5px;">G</div> 	
<p style="text-align: center;">Allen Wrench 1 PC</p>	<p style="text-align: center;">Long Bolts(M6x40mm) 14 PCS</p>	<p style="text-align: center;">Plastic Washers 4 PCS</p>	

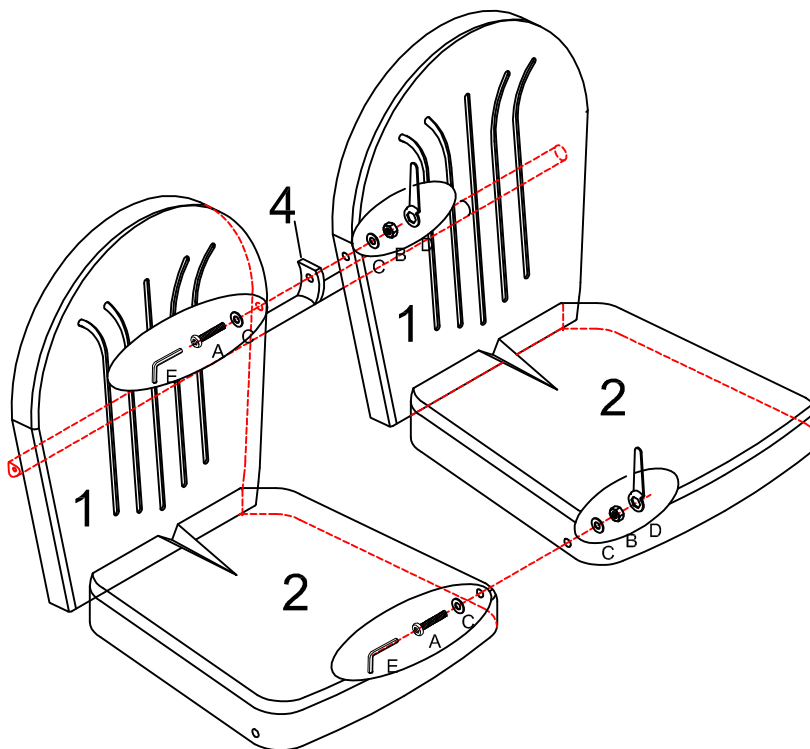
IMPORTANT NOTE: WE RECOMMEND TWO PEOPLE WORK TOGETHER TO ASSEMBLE THE CHAIR





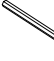
STEP 1 Attach the Seat (2) and Back (1) using 4 Short Bolts (A), 8 Flat Washers (C) and 4 Nuts (B). Do not *fully* tighten until after you have completed the entire assembly process. Repeat for remaining seat and back.



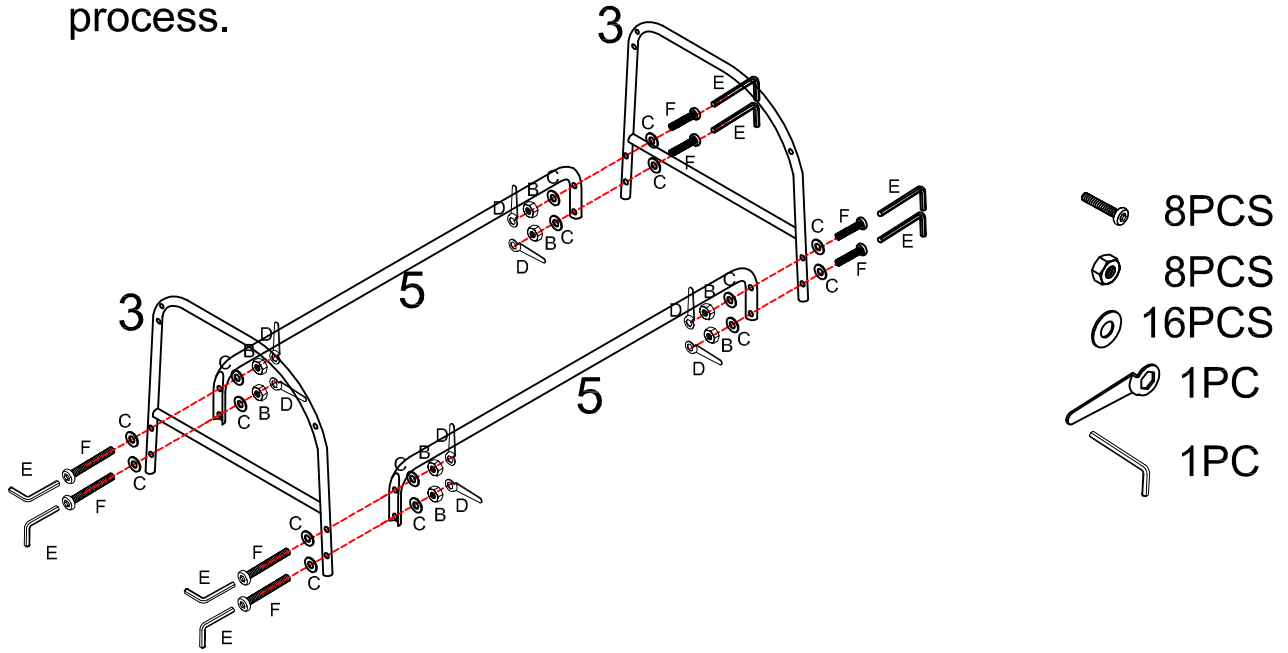
-  8PCS
-  8PCS
-  16PCS
-  1PC
-  1PC

STEP 2 Join the two backs (1) by attaching them to the Upper Crossbar (4) by using 1 Short Bolt (A), 2 Flat Washers (C) and 1 Nut (B). Join the two seats (2) by using 1 Short Bolt (A), 2 Flat Washers (C) and 1 Nuts (B). Do not *fully* tighten until after you have completed the entire assembly.



-  2PCS
-  2PCS
-  4PCS
-  1PC
-  1PC

STEP 3 Attach the 2 Arms (3) to the 2 Lower Crossbars (5) using 8 Long Bolts (F), 16 Flat Washers (C) and 8 Nuts (B). Do not *fully* tighten until after you have completed the entire assembly process.



STEP 4 Attach Upper Back Crossbar (4) to Arms (3) using 2 Long Bolts (F), 2 Flat Washers (C). Attach Chair Backs (1) and Seats (2) to Arms (3) using 4 Long Bolts (F), 8 Flat Washers (C), 4 Plastic Washers (G) and 4 Nuts (B). Do not *fully* tighten until after you have completed the entire assembly process.

Once assembly has been completed, tighten all Nuts using the Wrench (D) to hold the Nuts (B) and tighten with the Allen Wrench (E) to firmly secure the loveseat.

