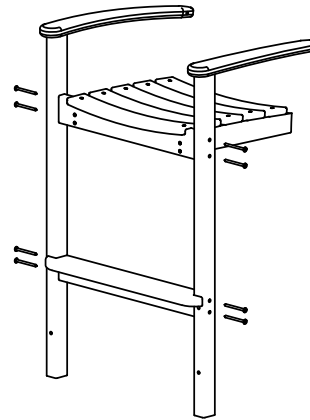


# Trex® Outdoor Furniture™

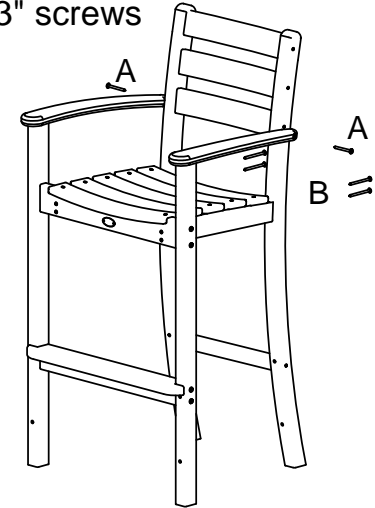
## Assembly Instructions Model: TXD202

**Step 1**  
Attach legs to the seat assembly  
and footrest with (8) 3" screws



- (1) Seat assembly
- (2) Front leg with arm (LH/RH)
- (1) Back leg assembly
- (1) Foot rest
- (2) Short brace (LH/RH)
- (2) Long brace (LH/RH)
- (1) Hardware pack

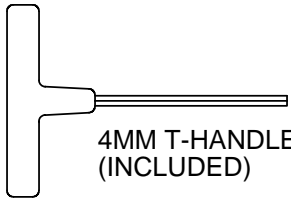
**Step 2**  
Attach arms to back leg assembly  
using (2) 2½" screws  
Attach back leg assembly to seat assembly  
using (4) 3" screws



**Step 3**  
Attach braces between the front and back  
legs with the remaining (8) 3" screws.

Note: Compound angle cut on brace  
should be attached to the back leg

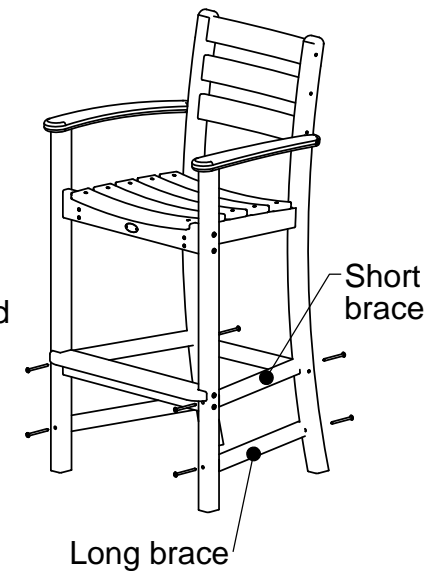
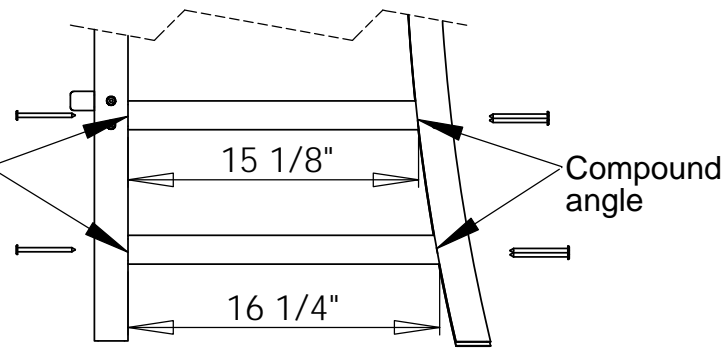
### TOOLS NEEDED



4MM T-HANDLE HEX KEY  
(INCLUDED)

Qty.	Description
2	A - .27 X 2 1/2 SOCKET WAFER "A"
20	B - .27 X 3 SOCKET WAFER "A"

12° Straight angle cut



ALL HARDWARE IS COATED STAINLESS STEEL

6/2/2011