

If you have questions or comments, contact us.  
Pour toute question ou tout commentaire, nous contacter.  
Si tiene dudas o comentarios, contáctenos.

1-800-4-DEWALT • www.dewalt.com

INSTRUCTION MANUAL  
GUIDE D'UTILISATION  
MANUAL DE INSTRUCCIONES

INSTRUCTIVO DE OPERACIÓN. CENTROS DE SERVICIO Y POLIZA DE GARANTÍA. ADVERTENCIA: LEÁSE ESTE INSTRUCTIVO ANTES DE USAR EL PRODUCTO.

# DEWALT®

DWP610, DWP611  
Heavy-Duty Compact Router  
Toupe compacte industrielle  
Rebajadora compacta para trabajo pesado

DEWALT Industrial Tool Co., 701 Joppa Road, Baltimore, MD 21286 (AUG10) Part No. A27313 DWP610, DWP611 Copyright © 2010 DEWALT

The following are trademarks for one or more DEWALT power tools: the yellow and black color scheme; the "D" shaped air intake grill; the array of pyramids on the handgrip; the kit box configuration; and the array of lozenge-shaped humps on the surface of the tool.

### Definitions: Safety Guidelines

The definitions below describe the level of severity for each signal word. Please read the manual and pay attention to these symbols.

**⚠DANGER:** Indicates an imminently hazardous situation which, if not avoided, will result in death or serious injury.

**⚠WARNING:** Indicates a potentially hazardous situation which, if not avoided, could result in death or serious injury.

**⚠CAUTION:** Indicates a potentially hazardous situation which, if not avoided, may result in minor or moderate injury.

**NOTICE:** Indicates a practice not related to personal injury which, if not avoided, may result in property damage.

IF YOU HAVE ANY QUESTIONS OR COMMENTS ABOUT THIS OR ANY DEWALT TOOL, CALL US TOLL FREE AT: 1-800-4-DEWALT (1-800-433-9258).

**⚠WARNING:** To reduce the risk of injury, read the instruction manual.

### General Power Tool Safety Warnings

**⚠WARNING!** Read all safety warnings and all instructions. Failure to follow the warnings and instructions may result in electric shock, fire and/or serious injury.

### SAVE ALL WARNINGS AND INSTRUCTIONS FOR FUTURE REFERENCE

The term "power tool" in the warnings refers to your mains-operated (corded) power tool or battery-operated (cordless) power tool.

#### 1) WORK AREA SAFETY

- Keep work area clean and well lit. Cluttered or dark areas invite accidents.
- Do not operate power tools in explosive atmospheres, such as in the presence of flammable liquids, gases or dust. Power tools create sparks which may ignite the dust or fumes.
- Keep children and bystanders away while operating a power tool. Distractions can cause you to lose control.

#### 2) ELECTRICAL SAFETY

- Power tool plugs must match the outlet. Never modify the plug in any way. Do not use any adapter plugs with earthed (grounded) power tools. Unmodified plugs and matching outlets will reduce risk of electric shock.
- Avoid body contact with earthed or grounded surfaces such as pipes, radiators, ranges and refrigerators. There is an increased risk of electric shock if your body is earthed or grounded.
- Do not expose power tools to rain or wet conditions. Water entering a power tool will increase the risk of electric shock.
- Do not abuse the cord. Never use the cord for carrying, pulling or unplugging the power tool. Keep cord away from heat, oil, sharp edges or moving parts. Damaged or entangled cords increase the risk of electric shock.
- When operating a power tool outdoors, use an extension cord suitable for outdoor use. Use of a cord suitable for outdoor use reduces the risk of electric shock.
- If operating a power tool in a damp location is unavoidable, use a ground fault circuit interrupter (GFCI) protected supply. Use of a GFCI reduces the risk of electric shock.

#### 3) PERSONAL SAFETY

- Stay alert, watch what you are doing and use common sense when operating a power tool. Do not use a power tool while you are tired or under the influence of drugs, alcohol or medication. A moment of inattention while operating power tools may result in serious personal injury.
- Use personal protective equipment. Always wear eye protection. Protective equipment such as dust mask, non-skid safety shoes, hard hat, or hearing protection used for appropriate conditions will reduce personal injuries.
- Prevent unintentional starting. Ensure the switch is in the off position before connecting to power source and/or battery pack, picking up or carrying the tool. Carrying power tools with your finger on the switch or energising power tools that have the switch on invites accidents.
- Remove any adjusting key or wrench before turning the power tool on. A wrench or a key left attached to a rotating part of the power tool may result in personal injury.
- Do not overreach. Keep proper footing and balance at all times. This enables better control of the power tool in unexpected situations.
- Dress properly. Do not wear loose clothing or jewellery. Keep your hair, clothing and gloves away from moving parts. Loose clothes, jewellery or long hair can be caught in moving parts.
- If devices are provided for the connection of dust extraction and collection facilities, ensure these are connected and properly used. Use of dust collection can reduce dust-related hazards.

#### 4) POWER TOOL USE AND CARE

- Do not force the power tool. Use the correct power tool for your application. The correct power tool will do the job better and safer at the rate for which it was designed.
- Do not use the power tool if the switch does not turn it on and off. Any power tool that cannot be controlled with the switch is dangerous and must be repaired.
- Disconnect the plug from the power source and/or the battery pack from the power tool before making any adjustments, changing accessories, or storing power tools. Such preventive safety measures reduce the risk of starting the power tool accidentally.
- Store idle power tools out of the reach of children and do not allow persons unfamiliar with the power tool or these instructions to operate the power tool. Power tools are dangerous in the hands of untrained users.
- Maintain power tools. Check for misalignment or binding of moving parts, breakage of parts and any other condition that may affect the power tool's operation. If damaged, have the power tool repaired before use. Many accidents are caused by poorly maintained power tools.
- Keep cutting tools sharp and clean. Properly maintained cutting tools with sharp cutting edges are less likely to bind and are easier to control.
- Use the power tool, accessories and tool bits etc., in accordance with these instructions taking into account the working conditions and the work to be performed. Use of the power tool for operations different from those intended could result in a hazardous situation.

#### 5) SERVICE

- Have your power tool serviced by a qualified repair person using only identical replacement parts. This will ensure that the safety of the power tool is maintained.

### Additional Specific Safety Rules

- Hold power tools by insulated gripping surfaces when performing an operation where the cutting tool may contact hidden wiring or its own cord. Contact with a "live" wire will make exposed metal parts of the tool "live" and shock the operator.
- Use clamps or another practical way to secure and support the workpiece to a stable platform. Holding the work by hand or against your body leaves it unstable and may lead to loss of control.
- DO NOT cut metal.
- Keep handles and gripping surfaces dry, clean, and free from oil and grease. This will enable better control of the tool.

- Maintain firm grip with both hands on router to resist starting torque.
- Keep hands away from cutting area. Never reach under the workpiece for any reason. Keep the router base firmly in contact with the workpiece when cutting. These precautions will reduce the risk of personal injury.
- Never run the motor unit when it is not inserted in one of the router bases. The motor is not designed to be handheld.
- Keep cutting pressure constant. Do not overload motor.
- Check to see that the cord will not snag or impede the routing operation.
- Use sharp cutters. Dull cutters may cause the router to swerve or stall under pressure.
- Be sure that the motor has stopped completely before you lay the router down. If the cutter head is still spinning when the tool is laid down, it could cause injury or damage.
- Be sure that the router bit is clear of the workpiece before starting the motor. If the bit is in contact with the workpiece when the motor starts it could make the router jump, causing damage or injury.
- ALWAYS disconnect tool from power source before making adjustments or changing bits.
- Keep hands clear of bit when motor is running to prevent personal injury.
- NEVER touch the bit immediately after use. It may be extremely hot.
- Provide clearance under workpiece for router bit when through-cutting.
- Tighten collet nut securely to prevent the bit from slipping.
- Never tighten collet nut without a bit.
- Do not use router bits with a diameter in excess of 1-3/8" (34.9 mm) in this tool.
- Always use cutters with a shank diameter of 1/4" (6.4 mm) which corresponds to the size of the collet in your tool.
- Always use cutters suitable for a speed of min. 27,000 min<sup>-1</sup> and marked accordingly.
- Not recommended for use in a router table.
- Avoid climb-cutting (cutting in direction opposite that shown in Figure 12). Climb-cutting increases the chance for loss of control resulting in possible injury. When climb-cutting is required (backing around a corner), exercise extreme caution to maintain control of router. Make smaller cuts and remove minimal material with each pass.
- An extension cord must have adequate wire size (AWG or American Wire Gauge) for safety. The smaller the gauge number of the wire, the greater the capacity of the cable, that is 16 gauge has more capacity than 18 gauge. An undersized cord will cause a drop in line voltage resulting in loss of power and overheating. When using more than one extension to make up the total length, be sure each individual extension contains at least the minimum wire size. The following table shows the correct size to use depending on cord length and nameplate ampere rating. If in doubt, use the next heavier gauge. The smaller the gauge number, the heavier the cord.

Minimum Gauge for Cord Sets						
Ampere Rating		Total Length of Cord in Feet (meters)				
		Volts	25 (7.6)	50 (15.2)	100 (30.5)	150 (45.7)
		120V	25 (7.6)	50 (15.2)	100 (30.5)	150 (45.7)
		240V	50 (15.2)	100 (30.5)	200 (61.0)	300 (91.4)
More Than	Not More Than	AWG				
0	6	18	16	16	14	
6	10	18	16	14	12	
10	12	16	16	14	12	
12	16	14	12	Not Recommended		

**⚠WARNING:** ALWAYS use safety glasses. Everyday eyeglasses are NOT safety glasses. Also use face or dust mask if cutting operation is dusty. ALWAYS WEAR CERTIFIED SAFETY EQUIPMENT:

- ANSI Z87.1 eye protection (CAN/CSA Z94.3),
- ANSI S12.6 (S3.19) hearing protection,
- NIOSH/OSHA/MSHA respiratory protection.

**⚠WARNING:** Some dust created by power sanding, sawing, grinding, drilling, and other construction activities contains chemicals known to the State of California to cause cancer, birth defects or other reproductive harm. Some examples of these chemicals are:

- lead from lead-based paints,
- crystalline silica from bricks and cement and other masonry products, and
- arsenic and chromium from chemically-treated lumber.

Your risk from these exposures varies, depending on how often you do this type of work. To reduce your exposure to these chemicals: work in a well ventilated area, and work with approved safety equipment, such as those dust masks that are specially designed to filter out microscopic particles.

**⚠WARNING:** Avoid prolonged contact with dust from power sanding, sawing, grinding, drilling, and other construction activities. Wear protective clothing and wash exposed areas with soap and water. Allowing dust to get into your mouth, eyes, or lay on the skin may promote absorption of harmful chemicals.

**⚠WARNING:** Use of this tool can generate and/or disburse dust, which may cause serious and permanent respiratory or other injury. Always use NIOSH/OSHA approved respiratory protection appropriate for the dust exposure. Direct particles away from face and body.

**⚠WARNING:** Always wear proper personal hearing protection that conforms to ANSI S12.6 (S3.19) during use. Under some conditions and duration of use, noise from this product may contribute to hearing loss.

The label on your tool may include the following symbols. The symbols and their definitions are as follows:

V.....volts	A.....amperes
Hz.....hertz	W.....watts
min.....minutes	~ .....alternating current
== .....direct current	∞ .....alternating or direct current
Ⓛ .....Class I Construction (grounded)	n <sub>o</sub> .....no load speed
Ⓜ .....Class II Construction (double insulated)	Ⓢ .....earthling terminal
.../min .....per minute	⚠ .....safety alert symbol
OPM.....orbits per minute	BPM .....beats per minute
	RPM .....revolutions per minute

### SAVE THESE INSTRUCTIONS

#### Motor

Be sure your power supply agrees with nameplate marking. 120 Volts AC means your tool will operate on alternating current. As little as 10% lower voltage can cause loss of power and can result in overheating. All DEWALT tools are factory-tested; if this tool does not operate, check the power supply.

**⚠WARNING:** Accessories must be rated for at least the speed recommended on the tool warning label. Accessories running over rated speed can fly apart and cause injury. Accessory ratings must always be above tool speed as shown on tool nameplate.

**⚠WARNING:** To reduce the risk of injury, turn unit off and disconnect it from power source before installing and removing accessories, before adjusting or when making repairs. An accidental start-up can cause injury.

#### Components (Fig. 1-11)

A. Quick release tabs	P. Plunge lock lever
B. Depth adjustment ring	Q. Edge guide
C. Variable speed dial (DWP611 only)	R. Guide pins
D. On(I)/off (O) switch	S. Locking lever adjustment screw
E. Spindle lock button	T. Centering tool
F. Led lights (DWP611 only)	U. Collet nut
G. Guide pin groove	V. Vacuum attachment (fixed base)
H. Micro adjustment scale	W. Screws (vacuum attachment)
I. Locking lever	X. Edge guide slot (plunge base)
J. Edge guide slot (fixed base)	Z. Motor unit
K. Subbase (DWP610 has a round subbase, DWP611 has a D-subbase) both are available as an accessory.	AA. Motor stop
L. Vacuum attachment (For use with plunge base)	BB. Thumb screw
M. Holes for premium edge guide (sold separately)	CC. Knurled knob
N. Turret stop	DD. Depth adjustment scale
O. Depth adjustment rod	EE. Zero adjuster tab
	FF. Sub-base screws
	GG. Edge guide screws
	HH. Tab (vacuum attachment)
	II. Snap tab (vacuum attachment)
	JJ. Plastic washer (vacuum attachment)
	KK. Thumb screw (vacuum attachment)

#### OPERATION

**⚠WARNING:** To reduce the risk of injury, turn unit off and disconnect it from power source before installing and removing accessories, before adjusting or when making repairs. An accidental start-up can cause injury.

**NOTICE:** Do not use router bits with a diameter in excess of 1-3/8" (34.9 mm) in this tool.

#### Connecting To Power Source

**⚠CAUTION:** Before connecting tool to power source, check to see that the switch is in the "OFF" position. Also, check the power circuit to see that it is the same as that shown on specification plate of the tool.

#### Starting and Stopping the Motor (Fig. 1)

**⚠CAUTION:** Before starting the tool, clear the work area of all foreign objects. Also keep firm grip on tool to resist starting torque.

**⚠CAUTION:** To avoid personal injury and/or damage to finished work, always allow the power unit to come to a COMPLETE STOP before putting the tool down.

To turn unit on, depress the side of the dust-protected switch (D) that reads "ON" and corresponds to the symbol "I." To turn the unit off, depress the side of the switch that reads "OFF" and corresponds with the symbol "O."

#### Motor Quick Release (Fig. 2)

**⚠WARNING:** To reduce the risk of injury, turn unit off and disconnect it from power source before installing and removing accessories, before adjusting or when making repairs. An accidental start-up can cause injury.

- Open the locking lever (I) on the base.
- Grasp the motor unit with one hand, depressing both quick release tabs (A).
- With the other hand, grasp the base and pull motor from the base.

#### Bit Installation and Removal (Fig. 3)

**⚠WARNING:** To reduce the risk of injury, turn unit off and disconnect it from power source before installing and removing accessories, before adjusting or when making repairs. An accidental start-up can cause injury.

#### TO INSTALL THE BIT

- Remove the motor unit from the base unit, see Motor Quick Release (if needed).
- Clean and insert the round shank of the desired router bit into the loosened collet as far as it will go and then pull it out about 1/16" (1.6 mm).
- Depress the spindle lock button (E) to hold the spindle shaft in place while turning the collet nut (U) clockwise with the wrench provided.

**NOTE:** The unit is equipped with multiple spindle lock detents allowing an optional "manual ratchet" method of tightening the bit.

#### To tighten with the "manual ratchet" method:

- Without removing the wrench from the collet nut (U), release pressure on the spindle lock button (E).
- With the wrench still on the collet nut (U), reverse the tightening direction to reset the wrench position.



- Depress the spindle lock button (E) again and turn the wrench clockwise.
- Repeat the procedure until the collet nut (U) reaches desired tightness.

**NOTICE:** Avoid possible damage to the collet. Never tighten the collet without a bit.

#### TO REMOVE THE BIT

- Remove the motor unit from the base unit, see **Motor Quick Release**.
- Depress the spindle lock button (E) to hold the spindle shaft in place while turning the collet nut (U) counterclockwise with the wrench provided.

#### To loosen using the "manual ratchet" method:

- Without removing the wrench from the collet nut (U), release pressure on the spindle lock button (E).
- With the wrench still on the collet nut (U), reverse the loosening direction to reset the wrench position.
- Depress the spindle lock button (E) again and turn the wrench counterclockwise.
- Repeat the procedure until the collet nut (U) is loose and the bit can be removed.

#### Collets

**NOTE:** Never tighten the collet without first installing a router bit in it. Tightening an empty collet, even by hand, can damage the collet.

To change collet sizes, unscrew the collet assembly as described above. Install the desired collet by reversing the procedure. The collet and the collet nut are connected. Do not attempt to remove the collet from the collet nut.

#### Locking Lever Adjustment (Fig. 4)

**WARNING:** To reduce the risk of injury, turn unit off and disconnect it from power source before installing and removing accessories, before adjusting or when making repairs. An accidental start-up can cause injury.

Excessive force should not be used to clamp the locking lever. Using excessive force may damage the base.

When the locking lever is clamped the motor should not move in the base.

Adjustment is needed if the locking lever will not clamp without excessive force or if the motor moves in the base after clamping.

#### To adjust the locking lever's clamping force:

- Open the locking lever (I).
- Using a hex wrench turn locking lever adjustment screw (S) in small increments. Turning the screw clockwise tightens the lever, while turning the screw counterclockwise loosens the lever.

#### Centering the Subbase (Fig. 5)

**WARNING:** To reduce the risk of injury, turn unit off and disconnect it from power source before installing and removing accessories, before adjusting or when making repairs. An accidental start-up can cause injury.

If you need to adjust, change, or replace the subbase, a centering tool is recommended, refer to **Accessories**. The centering tool consists of a cone and a pin.

#### To adjust the subbase, follow the steps below.

- Loosen but do not remove the subbase screws (FF) so the subbase moves freely.
- Insert the pin into the collet and tighten the collet nut.
- Insert the motor into the base and clamp the locking lever on the base.
- Place the cone on the pin (Fig. 5A) and lightly press down on the cone until it stops as shown in Figure 5B. This will center the subbase.
- While holding down on the cone, tighten the subbase screws.

#### Using Template Guides

The round subbase will accept universal template guides. Recommended accessories for use with your tool are available at extra cost from your local dealer or authorized service center.

**NOTE:** The D-shape subbase does not accommodate template guides and is designed to accommodate bits up to 1-3/8" (34.9 mm) in diameter.

#### To use Template Guides:

- Center the subbase. See **Centering The Subbase**.
- Install template guide (available as an accessory) on the subbase and tighten securely.

#### Adjusting the Depth of Cut (Fig. 6)

**WARNING:** To reduce the risk of injury, turn unit off and disconnect it from power source before installing and removing accessories, before adjusting or when making repairs. An accidental start-up can cause injury.

- Select and install the desired bit. See **Bit Installation and Removal**.
- Assemble base to motor, ensuring base is attached to the depth adjustment ring. Place router on the work piece.
- Open the locking lever (I) and turn the depth adjustment ring (B) until the bit just touches the work piece. Turning the ring clockwise raises the cutting head while turning it counterclockwise lowers the cutting head.
- Turn the micro adjustable scale (H) clockwise until the 0 on the scale lines up with the pointer on the bottom of the depth adjustment ring.
- Turn the depth adjustment ring until the pointer lines up with desired depth of cut marking on the micro adjustable scale.

**NOTE:** Each mark on the adjustable scale represents a depth change of 1/64" or .015" (0.4 mm) and one full (360°) turn of the ring changes the depth 0.5" (12.7 mm).

#### Using an Edge Guide (Fig. 7, 9)

An edge guide (model DNP618) is available from your local retailer or service center at extra cost.

- Remove the motor unit from the base unit, see **Motor Quick Release**.
- Remove flat head screws (GG) from storage holes on edge guide.
- Slide edge guide into edge guide slot (J) on side of fixed base or (X) on side of the plunge base. Insert the two flat head screws through the appropriate holes in the sub base to secure the edge guide. Tighten hardware.
- Follow all instructions included with the edge guide.

**NOTE:** To remove the edge guide, reverse the above procedure. After removing edge guide always replace the two flat head screws into the storage holes on the edge guide to prevent loss.

#### Using a Premium Edge Guide (Plunge Base Only)

A Premium Edge Guide (model DW6913) is available from your local retailer or service center at extra cost. Follow the assembly instructions included with the edge guide.

#### Vacuum Attachment (Fixed Base Only, Fig. 8)

**WARNING:** To reduce the risk of injury, turn unit off and disconnect it from power source before installing and removing accessories, before adjusting or when making repairs. An accidental start-up can cause injury.

To connect the router to a vacuum cleaner for dust collection, follow these steps:

- Remove the motor unit from the base unit, see **Motor Quick Release**.
- Attach vacuum attachment accessory (V) to the base as shown. Tighten thumb screws (W) securely by hand.
- Attach hose adapter to vacuum attachment accessory.
- When using vacuum attachment, be aware of the placement of the vacuum cleaner. Be sure that the vacuum cleaner is stable and that its hose will not interfere with the work.

#### Vacuum Attachment (Plunge Base Only, Fig. 9)

- Remove the motor unit from the plunge base, see **Motor Quick Release**.
- Slide tab (HH, inset) on vacuum attachment into slot in plunge base and snap tab (II, inset) into hole in plunge base.
- Secure to base with supplied plastic washer (JJ) and thumb screw (KK). Tighten thumb screw securely by hand.
- Attach hose adaptor to vacuum attachment.
- When using vacuum attachment, be aware of the placement of the vacuum cleaner. Be sure the vacuum cleaner is stable and its hose will not interfere with the work.

#### Set-up: Fixed Base (Fig. 1, 2)

##### INSERTING THE MOTOR INTO THE FIXED BASE (FIG. 1, 2, 10)

**WARNING:** To reduce the risk of injury, turn unit off and disconnect it from power source before installing and removing accessories, before adjusting or when making repairs. An accidental start-up can cause injury.

- Open the locking lever (I) on the base.
- If the depth adjustment ring (B) is not on the motor, thread the depth adjustment ring (B) onto the motor until the ring is about halfway between the top and bottom of the motor as shown. Insert the motor into the base by aligning the groove on the motor (G) with the guide pins (R) on the base. Slide the motor down until the depth adjustment ring snaps into place.

**NOTE:** Guide pin grooves (G) are located on either side of the motor so it can be positioned in two orientations.

- Adjust the depth of cut by turning the depth adjustment ring. See **Adjusting the Depth of Cut**.
- Close the locking lever (I) when the desired depth is achieved. For information on setting the cutting depth, see **Adjusting the Depth of Cut**.

#### Set-up: Plunge Base (Fig. 1, 10, 11)

##### INSERTING THE MOTOR INTO THE PLUNGE BASE

**WARNING:** To reduce the risk of injury, turn unit off and disconnect it from power source before installing and removing accessories, before adjusting or when making repairs. An accidental start-up can cause injury.

- Remove the depth adjustment ring (B) from the motor. It is not used with the plunge base.
- NOTE:** Snap depth adjustment ring onto fixed base, when not in use, to prevent loss.
- Insert the motor into the base by aligning the groove on the motor (G) with the guide pins (R) on the base. Slide the motor down until the motor stops on the motor stop (AA).
- Close the locking lever (I).

##### ADJUSTING THE PLUNGE ROUTING DEPTH (FIG. 11)

**WARNING:** To reduce the risk of injury, turn unit off and disconnect it from power source before installing and removing accessories, before adjusting or when making repairs. An accidental start-up can cause injury.

- Unlock the plunge mechanism by pulling down the plunge lock lever (P). Plunge the router down as far as it will go, allowing the bit to just touch the workpiece.
- Lock the plunge mechanism by releasing the plunge lock lever (P).
- Loosen the depth adjustment rod (O) by turning the thumb screw (BB) counterclockwise.
- Slide the depth adjustment rod (O) down so that it meets the lowest turret stop (N).
- Slide the zero adjuster tab (EE) on the depth adjustment rod down so that the top of it meets zero on the depth adjustment scale (DD).
- Grasping the top, knurled section of the depth adjustment rod (O), slide it up so that the tab (EE) aligns with the desired depth of cut on the depth adjustment scale (DD).
- Tighten the thumb screw (BB) to hold the depth adjustment rod in place.
- Keeping both hands on the handles, unlock the plunge mechanism by pulling the plunge lock lever (P) down. The plunge mechanism and the motor will move up. When the router is plunged, the depth adjustment rod will hit the turret stop, allowing the router to reach exactly the desired depth.

##### USING THE ROTATING TURRET FOR STEPPED CUTS (FIG. 11)

If the depth of cut required is more than is acceptable in a single pass, rotate the turret so that depth rod (O) lines up with taller turret stop initially. After each cut, rotate the turret so that the depth stop lines up with shorter post until the final depth of cut is reached.

**WARNING:** Do not change the turret stop while the router is running. This will place your hands too near the cutter head.

FIG. 1

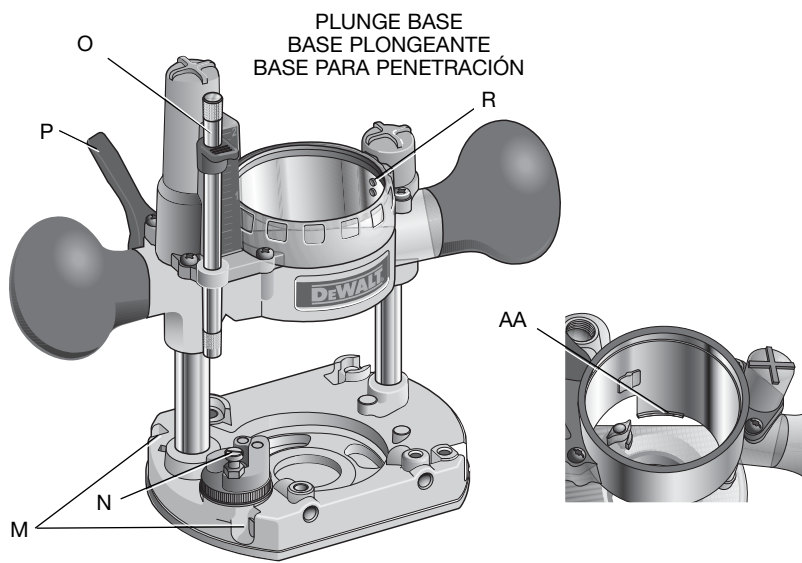
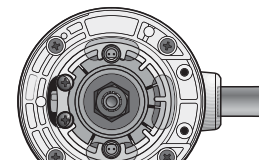
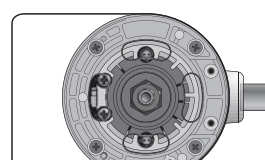
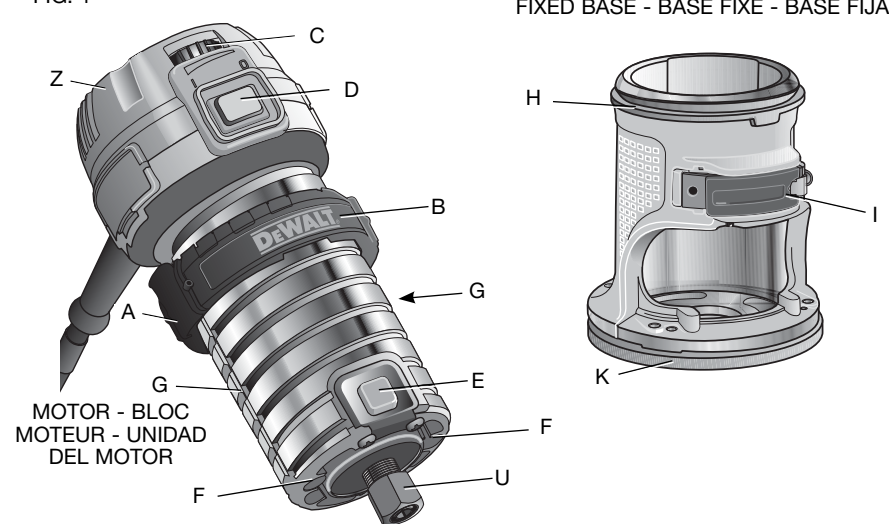


FIG. 2

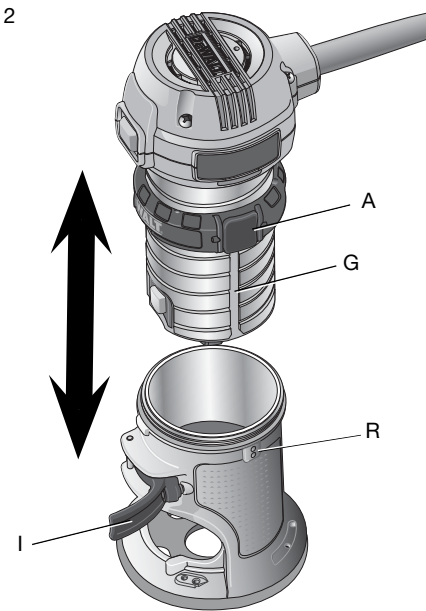


FIG. 3

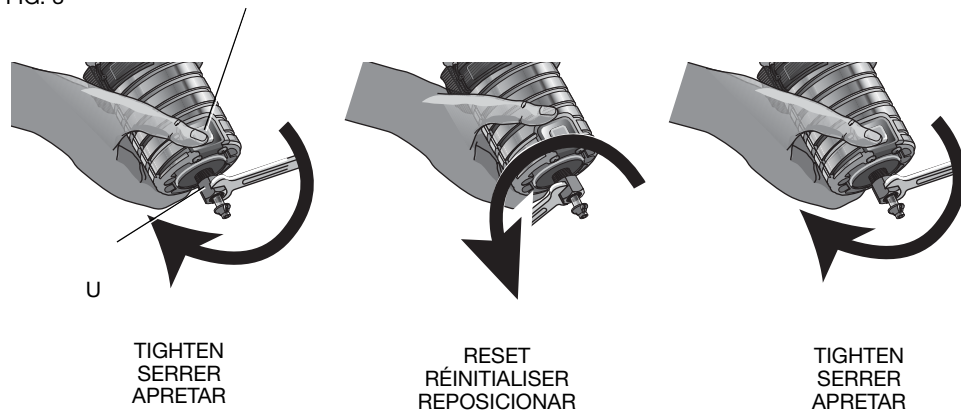


FIG. 4

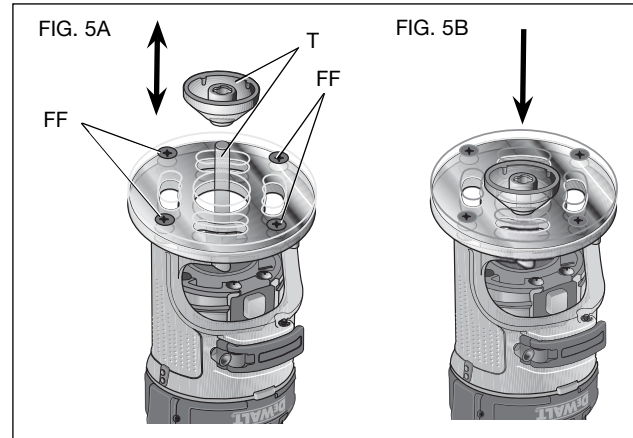
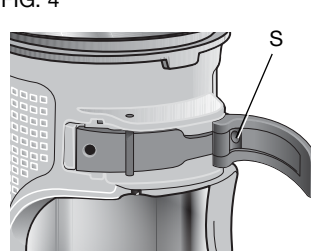


FIG. 6

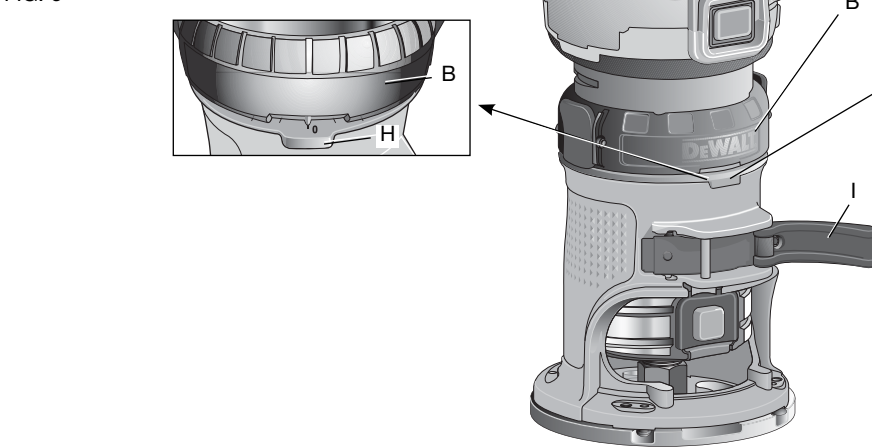


FIG. 7

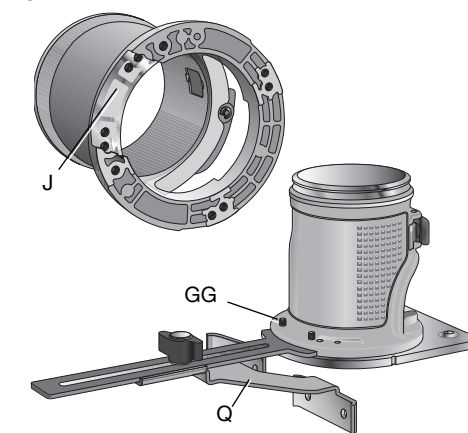


FIG. 8

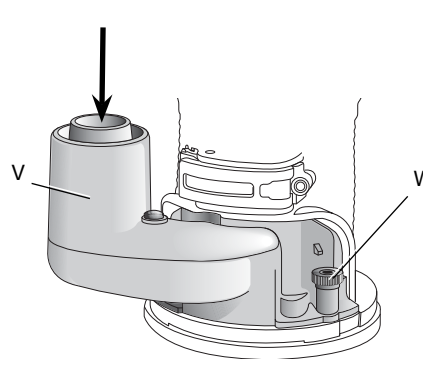


FIG. 9

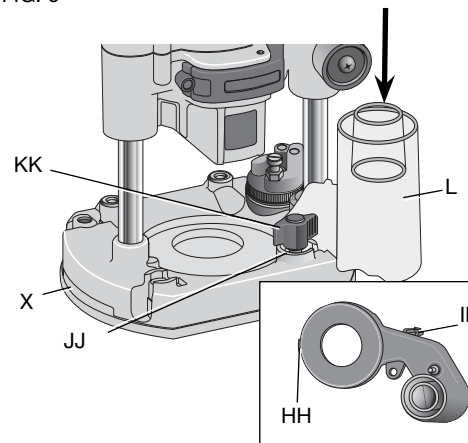


FIG. 10

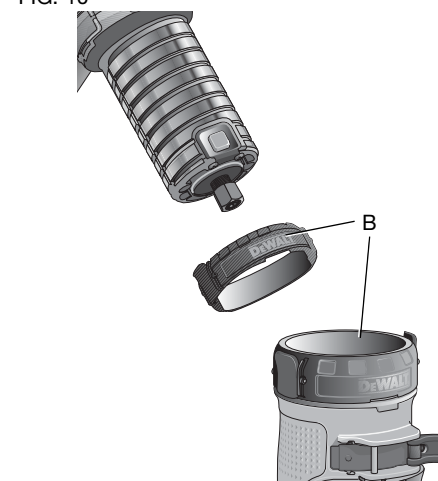




FIG. 11

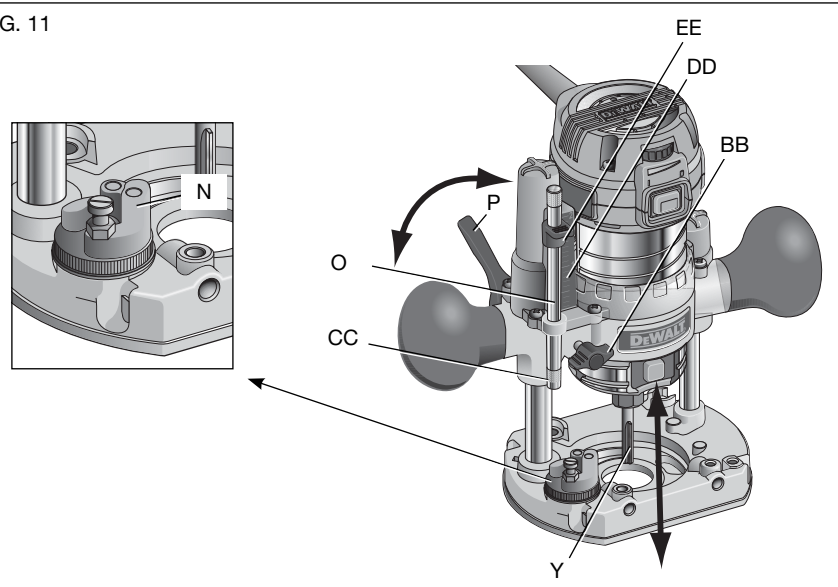
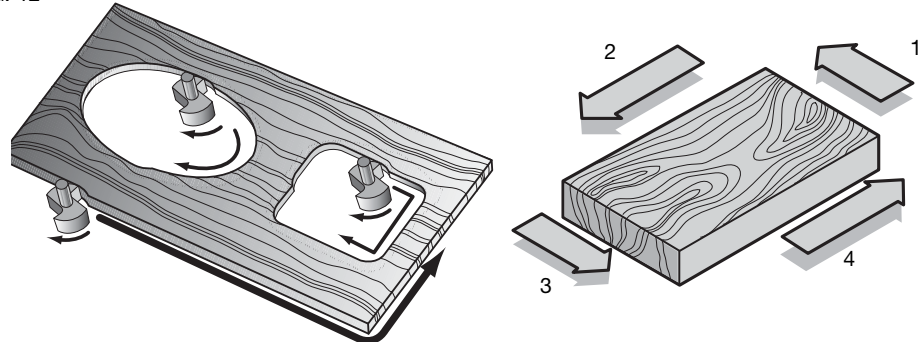


FIG. 12



#### FINE ADJUSTMENT OF ROUTING DEPTH (FIG. 11)

**▲WARNING:** To reduce the risk of injury, turn unit off and disconnect it from power source before installing and removing accessories, before adjusting or when making repairs. An accidental start-up can cause injury

The knurled knob (CC) at the bottom end of the depth adjustment rod can be used to make minor adjustments.

- To decrease the cutting depth, rotate the knob clockwise (looking down from the top of the router).
- To increase the cutting depth, rotate the knob counterclockwise (looking down from the top of the router).

**NOTE:** One complete rotation of the knob results in a change of about 5/128" or .04" (1 mm) in depth.

#### CUTTING WITH THE PLUNGE BASE (FIG. 11)

**▲WARNING:** To reduce the risk of injury, turn unit off and disconnect it from power source before installing and removing accessories, before adjusting or when making repairs. An accidental start-up can cause injury

**NOTE:** The depth of cut is locked in the plunge base's default state. The plunge lock requires user actuation to enable the "release to lock" plunge mechanism.

- Depress the plunge lock lever (P) and plunge the router down until the bit reaches the set depth.
- Release the plunge lock lever (P) when desired depth is reached.  
**NOTE:** Releasing the plunge lock lever automatically locks the motor in place.  
**NOTE:** If additional resistance is needed use the hand to depress the plunge lock lever.
- Perform the cut.
- Depressing the plunge lock lever will disable the locking mechanism allowing the router bit to disengage from the work piece.
- Turn the router off.

#### Operation: All Bases

##### DIRECTION OF FEED (FIG. 12)

The direction of feed is very important when routing and can make the difference between a successful job and a ruined project. The figures show the proper direction of feed for some typical cuts. A general rule to follow is to move the router in a counterclockwise direction on an outside cut and a clockwise direction on an inside cut.

##### Shape the outside edge of a piece of stock by following these steps:

- Shape the end grain, left to right
- Shape the straight grain side moving left to right
- Cut the other end grain side
- Finish the remaining straight grain edge

##### CHOOSING ROUTER SPEED (DWP611 AND DWP611PK ONLY) (FIG. 1)

Refer to the **Speed Selection Chart** to choose a router speed. Turn the variable speed dial (C) to control router speed.

##### SOFT START FEATURE (ALL MODELS)

The Compact Routers are equipped with electronics to provide a soft start feature that minimizes the start up torque of the motor.

##### VARIABLE SPEED CONTROL (ALL UNITS) (FIG. 1)

This router is equipped with a variable speed dial (C) with an infinite number of speeds between 16,000 and 27,000 RPM. Adjust the speed by turning the variable speed dial (C).

**NOTICE:** In low and medium speed operation, the speed control prevents the motor speed from decreasing. If you expect to hear a speed change and continue to load the motor, you could damage the motor by overheating. Reduce the depth of cut and/or slow the feed rate to prevent tool damage.

The Compact Routers are equipped with electronics to monitor and maintain the speed of the tool while cutting.

##### SPEED SELECTION CHART

DIAL SETTING	APPROX. RPM	APPLICATION
1	16,000	Large diameter bits and cutters
2	18,200	
3	20,400	
4	22,600	Small diameter bits and cutters. Softwoods, plastics, laminates.
5	24,800	
6	27,000	

**NOTE:** Make several light passes instead of one heavy pass for better quality work.

#### Troubleshooting

For assistance with your tool, visit our website at [www.dewalt.com](http://www.dewalt.com) or call 1-800-4-DeWALT (1-800-433-9258).

#### MAINTENANCE

**▲WARNING:** To reduce the risk of injury, turn unit off and disconnect it from power source before installing and removing accessories, before adjusting or when making repairs. An accidental start-up can cause injury.

##### Cleaning

**▲WARNING:** Blow dirt and dust out of all air vents with dry air at least once a week. Wear proper ANSI Z87.1 (CAN/CSA Z94.3) eye protection and proper NIOSH/OSHA/MSHA respiratory protection when performing this.

**▲WARNING:** Never use solvents or other harsh chemicals for cleaning the non-metallic parts of the tool. These chemicals may weaken the materials used in these parts. Use a cloth dampened only with water and mild soap. Never let any liquid get inside the tool; never immerse any part of the tool into a liquid.

##### Failure To Start

Should your tool fail to start, check to make sure the prongs of the cord plug are making good contact in the outlet. Also, check for blown fuses or open circuit breakers in the line.

##### Lubrication

This tool has been lubricated with a sufficient amount of high grade lubricant for the life of the unit under normal operating conditions. No further lubrication is necessary.

##### Brush Inspection

For your continued safety and electrical protection, brush inspection and replacement on this tool should ONLY be performed by a DeWALT factory service center, a DeWALT authorized service center or other qualified service personnel.

At approximately 100 hours of use, take or send your tool to your nearest DeWALT factory service center or DeWALT authorized service center to be thoroughly cleaned and inspected. Have worn parts replaced and lubricated with fresh lubricant. Have new brushes installed, and test the tool for performance.

Any loss of power before the above maintenance check may indicate the need for immediate servicing of your tool. DO NOT CONTINUE TO OPERATE TOOL UNDER THIS CONDITION. If proper operating voltage is present, return your tool to the service station for immediate service.

##### Waxing Motor and Base

To maintain a smooth action when moving the motor unit in relation to the base, the outside of the motor unit and the inside of the base can be waxed using any standard paste or liquid wax. Per the manufacturers instructions, rub the wax onto the outside diameter of the motor unit and the inside diameter of the base. Allow wax to dry and buff off residue with a soft cloth.

##### Repairs

To assure product SAFETY and RELIABILITY, repairs, maintenance and adjustments (including brush inspection and replacement) should be performed by a DeWALT factory service center, a DeWALT authorized service center or other qualified service personnel. Always use identical replacement parts.

##### Accessories

**▲WARNING:** Since accessories, other than those offered by DeWALT, have not been tested with this product, use of such accessories with this tool could be hazardous. To reduce the risk of injury, only DeWALT, recommended accessories should be used with this product.

Recommended accessories for use with your tool are available at extra cost from your local service center.

If you need assistance in locating any accessory, please contact DeWALT Industrial Tool Co., 701 East Joppa Road, Baltimore, MD 21286 or call 1-800-4-DeWALT (1-800-433-9258).

#### Three Year Limited Warranty

DeWALT will repair, without charge, any defects due to faulty materials or workmanship for three years from the date of purchase. This warranty does not cover part failure due to normal wear or tool abuse. For further detail of warranty coverage and warranty repair information, visit [www.dewalt.com](http://www.dewalt.com) or call 1-800-4-DeWALT (1-800-433-9258). This warranty does not apply to accessories or damage caused where repairs have been made or attempted by others. This warranty gives you specific legal rights and you may have other rights which vary in certain states or provinces.

In addition to the warranty, DeWALT tools are covered by our:

##### 1 YEAR FREE SERVICE

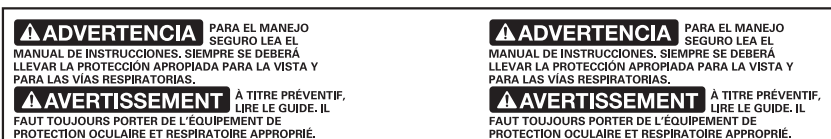
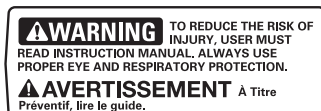
DeWALT will maintain the tool and replace worn parts caused by normal use, for free, any time during the first year after purchase.

##### 90 DAY MONEY BACK GUARANTEE

If you are not completely satisfied with the performance of your DeWALT Power Tool, Laser, or Nailer for any reason, you can return it within 90 days from the date of purchase with a receipt for a full refund – no questions asked.

**LATIN AMERICA:** This warranty does not apply to products sold in Latin America. For products sold in Latin America, see country specific warranty information contained either in the packaging, call the local company or see website for warranty information.

**FREE WARNING LABEL REPLACEMENT:** If your warning labels become illegible or are missing, call 1-800-4-DeWALT (1-800-433-9258) for a free replacement.



#### Définitions : lignes directrices en matière de sécurité

Les définitions ci-dessous décrivent le niveau de danger pour chaque mot-indicateur employé. Lire le mode d'emploi et porter une attention particulière à ces symboles.

**▲DANGER :** indique une situation dangereuse imminente qui, si elle n'est pas évitée, entraînera la mort ou des blessures graves.

**▲AVERTISSEMENT :** indique une situation potentiellement dangereuse qui, si elle n'est pas évitée, pourrait entraîner la mort ou des blessures graves

**▲ATTENTION :** indique une situation potentiellement dangereuse qui, si elle n'est pas évitée, pourrait entraîner des blessures légères ou modérées.

**AVIS :** Indique une pratique ne posant aucun risque de dommages corporels mais qui par contre, si rien n'est fait pour l'éviter, pourrait poser des risques de dommages matériels.

POUR TOUTE QUESTION OU REMARQUE AU SUJET DE CET OUTIL OU DE TOUT AUTRE OUTIL DEWALT, COMPOSEZ LE NUMÉRO SANS FRAIS : 1-800-4-DeWALT (1-800-433-9258).

**▲AVERTISSEMENT :** afin de réduire le risque de blessures, lire le mode d'emploi de l'outil.

#### Avertissements de sécurité généraux pour les outils électriques

**▲AVERTISSEMENT! Lire tous les avertissements de sécurité et toutes les directives.** Le non-respect des avertissements et des directives pourrait se solder par un choc électrique, un incendie et/ou une blessure grave.

#### CONSERVER TOUS LES AVERTISSEMENTS ET TOUTES LES DIRECTIVES POUR UN USAGE ULTÉRIEUR

Le terme « outil électrique » cité dans les avertissements se rapporte à votre outil électrique à alimentation sur secteur (avec fil) ou par piles (sans fil).

##### 1) SÉCURITÉ DU LIEU DE TRAVAIL

- Tenir l'aire de travail propre et bien éclairée. Les lieux encombrés ou sombres sont propices aux accidents.
- Ne pas faire fonctionner d'outils électriques dans un milieu déflagrant, tel qu'en présence de liquides, de gaz ou de poussières inflammables. Les outils électriques produisent des étincelles qui pourraient enflammer la poussière ou les vapeurs.
- Éloigner les enfants et les personnes à proximité pendant l'utilisation d'un outil électrique. Une distraction pourrait en faire perdre la maîtrise à l'utilisateur.

##### 2) SÉCURITÉ EN MATIÈRE D'ÉLECTRICITÉ

- Les fiches des outils électriques doivent correspondre à la prise. Ne jamais modifier la fiche d'aucune façon. Ne jamais utiliser de fiche d'adaptation avec un outil électrique mis à la terre. Le risque de choc électrique sera réduit par l'utilisation de fiches non modifiées correspondant à la prise.
- Éviter tout contact physique avec des surfaces mises à la terre comme des tuyaux, des radiateurs, des cuisinières et des réfrigérateurs. Le risque de choc électrique est plus élevé si votre corps est mis à la terre.
- Ne pas exposer les outils électriques à la pluie ou à l'humidité. La pénétration de l'eau dans un outil électrique augmente le risque de choc électrique.
- Ne pas utiliser le cordon de façon abusive. Ne jamais utiliser le cordon pour transporter, tirer ou débrancher un outil électrique. Tenir le cordon éloigné de la chaleur, de l'huile, des bords tranchants et des pièces mobiles. Les cordons endommagés ou enchevêtrés augmentent les risques de choc électrique.
- Pour l'utilisation d'un outil électrique à l'extérieur, se servir d'une rallonge convenant à cette application. L'utilisation d'une rallonge conçue pour l'extérieur réduira les risques de choc électrique.
- S'il est impossible d'éviter l'utilisation d'un outil électrique dans un endroit humide, brancher l'outil dans une prise ou sur un circuit d'alimentation dotés d'un disjoncteur de fuite à la terre (GFCI). L'utilisation de ce type de disjoncteur réduit les risques de choc électrique.

##### 3) SÉCURITÉ PERSONNELLE

- Être vigilant, surveiller le travail effectué et faire preuve de jugement lorsqu'un outil électrique est utilisé. Ne pas utiliser d'outil électrique en cas de fatigue ou sous l'influence de drogues, d'alcool ou de médicaments. Un simple moment d'inattention en utilisant un outil électrique peut entraîner des blessures corporelles graves.
- Utiliser des équipements de protection individuelle. Toujours porter une protection oculaire. L'utilisation d'équipements de protection comme un masque antipoussière, des chaussures antidérapantes, un casque de sécurité ou des protecteurs auditifs lorsque la situation le requiert réduira les risques de blessures corporelles.
- Empêcher les démarrages intempestifs. S'assurer que l'interrupteur se trouve à la position d'arrêt avant de relier l'outil à une source d'alimentation et/ou d'insérer un bloc-piles, de ramasser ou de transporter l'outil. Transporter un outil électrique alors que le doigt repose sur l'interrupteur ou brancher un outil électrique dont l'interrupteur est à la position de marche risque de provoquer un accident.
- Retirer toute clé de réglage ou clé avant de démarrer l'outil. Une clé ou une clé de réglage attachée à une partie pivotante de l'outil électrique peut provoquer des blessures corporelles.
- Ne pas trop tendre les bras. Conserver son équilibre en tout temps. Cela permet de mieux maîtriser l'outil électrique dans les situations imprévues.
- S'habiller de manière appropriée. Ne pas porter de vêtements amples ni de bijoux. Garder les cheveux, les vêtements et les gants à l'écart des pièces mobiles. Les vêtements amples, les bijoux ou les cheveux longs risquent de rester coincés dans les pièces mobiles.
- Si des composants sont fournis pour le raccordement de dispositifs de dépeussierage et de ramassage, s'assurer que ceux-ci sont bien raccordés et utilisés. L'utilisation d'un dispositif de dépeussierage peut réduire les dangers engendrés par les poussières.

##### 4) UTILISATION ET ENTRETIEN D'UN OUTIL ÉLECTRIQUE

- Ne pas forcer un outil électrique. Utiliser l'outil électrique approprié à l'application. L'outil électrique approprié effectuera un meilleur travail, de façon plus sûre et à la vitesse pour laquelle il a été conçu.
- Ne pas utiliser un outil électrique dont l'interrupteur est défectueux. Tout outil électrique dont l'interrupteur est défectueux est dangereux et doit être réparé.
- Débrancher la fiche de la source d'alimentation et/ou du bloc-piles de l'outil électrique avant de faire tout réglage ou changement d'accessoire ou avant de ranger l'outil. Ces mesures préventives réduisent les risques de démarrage accidentel de l'outil électrique.
- Ranger les outils électriques hors de la portée des enfants et ne permettre à aucune personne n'étant pas familière avec un outil électrique ou son mode d'emploi d'utiliser cet outil. Les outils électriques deviennent dangereux entre les mains d'utilisateurs inexpérimentés.
- Entretien des outils électriques. Vérifier si les pièces mobiles sont mal alignées ou coincées, si des pièces sont brisées ou présentent toute autre condition susceptible de nuire au bon fonctionnement de l'outil électrique. En cas de dommage, faire réparer l'outil électrique avant toute nouvelle utilisation. Beaucoup d'accidents sont causés par des outils électriques mal entretenus.
- S'assurer que les outils de coupe sont aiguisés et propres. Les outils de coupe bien entretenus et affûtés sont moins susceptibles de se coincer et sont plus faciles à maîtriser.
- Utiliser l'outil électrique, les accessoires, les forets, etc. conformément aux présentes directives en tenant compte des conditions de travail et du travail à effectuer. L'utilisation d'un outil électrique pour toute opération autre que celle pour laquelle il a été conçu est dangereuse.

##### 5) RÉPARATION

- Faire réparer l'outil électrique par un réparateur professionnel en n'utilisant que des pièces de rechange identiques. Cela permettra de maintenir une utilisation sécuritaire de l'outil électrique.

#### Règles particulières de sécurité additionnelles

- Tenir l'outil par les surfaces isolées prévues à cet effet pendant toute utilisation où l'organe de coupe pourrait entrer en contact avec des fils électriques cachés ou son propre cordon. Tout contact avec un fil sous tension met les parties métalliques exposées de l'outil sous tension et électrocute l'utilisateur.
- Utiliser des serre-joints, ou tout autre moyen, pour fixer et immobiliser le matériau sur une surface stable. Tenir la pièce à la main ou contre son corps offre une stabilité insuffisante qui pourrait vous en faire perdre le contrôle.
- NE découper AUCUN métaux.
- Maintenir les poignées et les surfaces de prises propres et sèches, exemptes d'huile ou de graisse. Cela permettra un meilleur contrôle de l'outil.
- Maintenir une prise ferme sur la toupie, à deux mains, pour résister à tout couple de démarrage.
- Garder les mains éloignées des zones de coupe. Ne jamais passer les doigts sous le matériau pour quelque raison que ce soit. Maintenir fermement la base de la toupie tout contre la pièce pendant la coupe. Ces précautions réduiront tout risque de dommages corporels.
- Ne pas faire tourner le bloc-moteur de la toupie tant que celle-ci ne sera pas insérée dans l'une de ses bases. Le moteur n'a pas été conçu pour être tenu manuellement.
- Maintenir une pression de coupe constante. Ne pas surcharger le moteur.



- Vérifier que le cordon ne s'enchevêtrera pas dans la toupie ou n'entravera pas son fonctionnement.**
- Utiliser seulement des organes de coupe bien affûtés.** Les organes de coupe émoussés pourraient faire dévier la toupie ou la faire caler sous la contrainte.
- S'assurer que le moteur est à l'arrêt complet avant de poser la toupie.** Le fait de poser l'outil alors que l'organe de coupe continue de tourner pose des risques de dommages corporels ou matériels.
- S'assurer que la fraise à défoncer ne touche pas la pièce à travailler avant de mettre l'outil en marche.** Le fait de la mettre en contact avec la pièce alors que le moteur démarre pourra la faire rebondir et poser des risques de dommages matériels ou corporels.
- Déconnecter SYSTÉMATIQUEMENT l'outil du secteur avant de changer de fraise ou d'effectuer tout réglage.**
- Protéger les mains de la fraise lorsque le moteur tourne pour prévenir tout risque de dommages corporels.**
- Ne JAMAIS toucher l'organe de coupe immédiatement après usage.** Il pourrait être extrêmement chaud.
- Laisser un espace sous la pièce pour que la fraise à défoncer puisse la traverser de part en part.**
- Resserrer soigneusement l'écrou de la douille de serrage pour éviter tout dérapage de la fraise.**
- Ne jamais serrer l'écrou de la douille de serrage sans qu'une fraise n'y soit installée.**
- Ne pas utiliser des fraises à défoncer d'un diamètre supérieur à 34,9 mm (1-3/8 po).**
- Utiliser systématiquement des organes de coupe d'un diamètre de tige de 6,4 mm (1/4 po), correspondant à la taille de la douille de votre outil.
- Utiliser systématiquement des organes de coupe conçus pour une vitesse minimale de 27 000 min<sup>-1</sup>, et étiquetés comme tels.
- Non recommandé pour être utilisé avec une table à toupie**
- Éviter tout usinage tangentiel en avalant (couper dans la direction opposée à celle indiquée en figure 12). L'usinage tangentiel en avalant augmente les risques de perdre le contrôle de l'outil et de dommages corporels.** Lorsque c'est nécessaire (ex . : recul dans un coin), prendre des précautions extrêmes pour maintenir le contrôle de la toupie. Effectuer des coupes plus réduites et retirer le matériau à chaque passage.
- Pour la sécurité de l'utilisateur, utiliser une rallonge de calibre adéquat (AWG, American Wire Gauge [calibrage américain normalisé des fils]).** Plus le numéro de calibre de fil est petit et plus sa capacité est grande, par exemple un calibre 16 a plus de capacité qu'un calibre 18. L'usage d'une rallonge de calibre insuffisant causera une chute de tension entraînant perte de puissance et surchauffe. Si plus d'une rallonge est utilisée pour obtenir la longueur totale, s'assurer que chaque rallonge présente au moins le calibre de fil minimum. Le tableau ci-dessous illustre les calibres à utiliser selon la longueur de rallonge et l'intensité nominale indiquée sur la plaque signalétique. En cas de doutes, utiliser le calibre suivant. Plus le calibre est petit, plus la rallonge peut supporter de courant.

Calibre minimum pour rallonge						
Intensité nominale		Volts	Longueur totale du cordon en mètres (en pieds)			
		120V	7,6 (25)	15,2 (50)	30,5 (100)	45,7 (150)
		240V	15,2 (50)	30,5 (100)	61,0 (200)	91,4 (300)
Plus de	Pas plus de	AWG				
0	6	5,5 (18)	4,9 (16)	4,9 (16)	4,3 (14)	
6	10	5,5 (18)	4,9 (16)	4,3 (14)	3,7 (12)	
10	12	4,9 (16)	4,9 (16)	4,3 (14)	3,7 (12)	
12	16	4,3 (14)	3,7 (12)	Non recommandé		

**⚠AVERTISSEMENT : TOUJOURS** porter des lunettes de sécurité. (ANSI Z87.1) and (CAN/CSA Z94.3) Les lunettes de vue ne constituent PAS des lunettes de sécurité. Utiliser également un masque facial ou anti-poussière si l'opération de découpe génère de la poussière. **TOUJOURS PORTER UN ÉQUIPEMENT DE PROTECTION HOMOLOGUÉ :**

- protection oculaire ANSI Z87.1 (CAN/CSA Z94.3),
- protection auditive ANSI S12.6 (S3.19) et
- protection des voies respiratoires NIOSH/OSHA.

**⚠AVERTISSEMENT :** certaines poussières produites par les travaux de ponçage, de sciage, de meulage, de perçage et par toute autre activité de construction contiennent des produits chimiques reconnus par l'État de la Californie comme pouvant causer le cancer, des anomalies congénitales ou d'autres problèmes liés aux fonctions reproductrices. Voici quelques exemples de ces produits chimiques :

- le plomb des peintures à base de plomb,
- la silice cristalline provenant des briques, du ciment et d'autres produits de maçonnerie ainsi que, et
- l'arsenic et le chrome issus du bois traité chimiquement.

Les risques reliés à l'exposition à ces produits chimiques varient selon la fréquence à laquelle l'utilisateur effectue ce type de travail. Pour réduire l'exposition à ces produits chimiques : travailler dans un endroit bien ventilé et porter un équipement de sécurité approuvé, notamment un masque antipoussières conçu spécialement pour filtrer les particules microscopiques.

- éviter tout contact prolongé avec la poussière soulevée par cet outil ou autres outils électriques.** Porter des vêtements de protection et nettoyer les parties exposées du corps avec de l'eau savonneuse. S'assurer de bien se protéger afin d'éviter d'absorber par la bouche, les yeux ou la peau des produits chimiques nocifs.

**⚠AVERTISSEMENT : cet outil peut produire et répandre de la poussière susceptible de causer des dommages sérieux et permanents au système respiratoire.** Toujours utiliser un appareil respiratoire anti-poussières approuvé par le NIOSH ou l'OSHA. Diriger les particules dans le sens opposé du visage et du corps.

**⚠AVERTISSEMENT : toujours porter une protection auditive appropriée conformément à la norme ANSI S12.6 (S3.19) lors de l'utilisation du produit.** Dans certaines conditions et selon la durée d'utilisation, le bruit émis par ce produit peut contribuer à une perte auditive.

- L'étiquette apposée sur votre outil peut comprendre les symboles suivants. Les symboles et leurs définitions sont indiqués ci-après :

V.....volts	A.....ampères
Hz.....hertz	W.....watts
min.....minutes	~ .....courant alternatif
== .....courant continu	≈ .....courant alternatif ou continu
Ⓜ.....Construction de classe I (mis à la terre)	∅o .....vitesse à vide
Ⓜ.....Construction de classe II (à double isolation)	⊕ .....borne de terre
RPM.....rotations ou alternance par minute	▲ .....symbole d'alerte à la sécurité
	BPM .....coups par minute
	.../min ..... par minute
	OPM.....orbites par minute

## CONSERVER CES DIRECTIVES

### Moteur

S'assurer que l'intensité nominale du cordon d'alimentation correspond à celle indiquée sur la plaque signalétique. « 120 volts CA » indique que l'outil fonctionnera sur du courant alternatif. Une baisse de tension aussi légère que 10 % pourrait causer perte de puissance et surchauffe. Tous les outils DEWALT sont soumis à des essais en usine; si cet outil ne fonctionne pas, vérifier le secteur.

**⚠AVERTISSEMENT :** la vitesse nominale des accessoires doit être équivalente ou supérieure à celle recommandée sur l'étiquette d'avertissement de l'outil. Les accessoires tournant à une vitesse supérieure à sa vitesse nominale peuvent se désintégrer et poser des risques de dommages corporels. L'intensité nominale des accessoires utilisés doit être supérieure à la vitesse minimum des outils indiquée sur la plaque signalétique.

**⚠AVERTISSEMENT : pour réduire tout risque de dommages corporels, arrêter et débrancher l'appareil du secteur avant d'installer ou de retirer tout accessoire, avant tout réglage ou pour faire toute réparation.** Tout démarrage accidentel comporte des risques de dommages corporels.

### Description (Fig. 1 à 11)

- |   |   |
|---|---|
| A. Languettes de dégagement rapide  | O. Tige de réglage de profondeur              |
| B. Bague de réglage de profondeur   | P. Levier de verrouillage de plongée          |
| C. Variateur de vitesse (DWP611 seulement)  | Q. Guide de chant                             |
| D. Interrupteur marche(l)/arrêt(o)  | R. Renons de guidage                          |
| E. Bouton de blocage de l'arbre   | S. Vis de réglage du levier de verrouillage   |
| F. Voyants Del (DWP611 seulement)   | T. Outil de centrage                          |
| G. Sillon des tenons de guidage   | U. Écrou de la douille de serrage             |
| H. Échelle de réglage de précision  | V. Buse d'aspiration (base fixe)              |
| I. Levier de verrouillage   | W. Vis (buse d'aspiration)                    |
| J. Gorge du guide de chant (base fixe)  | X. Gorge du guide de chant (base plongeante)  |
| K. Semelle (le modèle DWP610 possède une semelle ronde, le modèle DWP611 possède une semelle en D) les deux modèles sont vendus comme accessoire. | Z. Bloc-moteur                                |
| L. Buse d'aspiration (À utiliser avec la base plongeante)   | AA. Butée du moteur                           |
| M. Orifices pour guide de chant de luxe (vendu séparément)  | BB. Vis à serrage manuel                      |
| N. Butée de tourelle  | CC. Bouton moleté                             |
|   | DD. Échelle de réglage de profondeur          |
|   | EE. Languette de réglage du zéro              |
|   | FF. Vis de la semelle                         |
|   | GG. Vis de guide de chant                     |
|   | HH. Languette (buse d'aspiration)             |
|   | II. Languette à ressort (buse d'aspiration)   |
|   | JJ. Rondelle en plastique (buse d'aspiration) |
|   | KK. Vis à serrage manuel (buse d'aspiration)  |

### UTILISATION

**⚠AVERTISSEMENT : pour réduire tout risque de dommages corporels, arrêter et débrancher l'appareil du secteur avant d'installer ou de retirer tout accessoire, avant tout réglage ou pour faire toute réparation.** Tout démarrage accidentel comporte des risques de dommages corporels.

**AVIS : ne pas utiliser des fraises à défoncer d'un diamètre supérieur à 34,9 mm (1-3/8 po).**

### Connexion au secteur

**⚠ATTENTION :** avant de connecter l'outil au secteur, vérifier que l'interrupteur est bien en position d'ARRÊT (o). Vérifier aussi que le secteur est bien conforme aux indications données par la plaque signalétique de l'outil.

### Mise en marche et arrêt du moteur (Fig. 1)

**⚠ATTENTION :** avant de mettre l'outil en marche, éliminer tout objet étranger de l'aire de travail. Maintenir une prise ferme sur l'outil pour contrer tout retour de couple.

**⚠ATTENTION :** pour éviter tout dommage corporel ou dommage au matériau fini, attendre systématiquement l'ARRÊT COMPLET du moteur avant de poser l'outil.

Pour mettre l'appareil en marche, appuyez sur le côté de l'interrupteur étanche à la poussière (D) libellé « ON » et correspondant au symbole « I ». Pour arrêter l'appareil, appuyez sur le côté de l'interrupteur libellé « ARRÊT » et correspondant au symbole « O ».

### Libération instantanée du moteur (Fig. 2)

**⚠AVERTISSEMENT : pour réduire tout risque de dommages corporels, arrêter et débrancher l'appareil du secteur avant d'installer ou de retirer tout accessoire, avant tout réglage ou pour faire toute réparation.** Tout démarrage accidentel comporte des risques de dommages corporels.

- Ouvrez le levier de verrouillage (I) sur la base.
- Attrapez le bloc-moteur d'une main et appuyez sur les deux languettes de dégagement rapide (A).
- De l'autre main, maintenez la base puis tirez le moteur hors de celle-ci.

### Retrait et installation de la fraise (Fig. 3)

**⚠AVERTISSEMENT : pour réduire tout risque de dommages corporels, arrêter et débrancher l'appareil du secteur avant d'installer ou de retirer tout accessoire, avant tout réglage ou pour faire toute réparation.** Tout démarrage accidentel comporte des risques de dommages corporels.

### INSTALLATION DE LA FRAISE

- Retirez le bloc-moteur de la base. Reportez-vous à la section **Libération instantanée du moteur** (le cas échéant).
  - Nettoyez et insérez à fond la tige ronde de la fraise à défoncer désirée dans la douille puis retirez-la d'environ 1,6 mm (1/16 po).
  - Appuyez sur le bouton de blocage de l'arbre (E) pour maintenir l'arbre de la broche en place tout en tournant l'écrou de la douille de serrage (U) vers la droite avec la clé fournie à cet effet.
- REMARQUE :** l'appareil est équipé d'un blocage de broche de poupée mobile à détente multiple offrant une méthode supplémentaire de «  cliquet manuel » pour resserrer la fraise.
- Pour resserrer avec la méthode de «  cliquet manuel » :**
- Sans retirer la clé de l'écrou de la douille de serrage (U), relâchez la pression sur le bouton de blocage de l'arbre (E).
  - Avec la clé toujours sur l'écrou de la douille de serrage (U), inversez la direction de serrage pour réinitialiser la position de la clé.
  - Réappuyez sur le bouton de blocage de l'arbre (E) et tournez la clé vers la droite.
  - Répétez cette procédure jusqu'à ce que l'écrou de la douille de serrage (U) soit serré comme désiré.

***AVIS : pour éviter d'endommager la douille, ne jamais la serrer sans qu'une fraise y soit installée.***

### RETRAIT DE LA FRAISE

- Retirez le bloc-moteur de la base. Reportez-vous à la section **Libération instantanée du moteur**.
- Appuyez sur le bouton de blocage de l'arbre (E) pour maintenir l'arbre de la broche en place tout en tournant l'écrou de la douille de serrage (U) vers la gauche avec la clé fournie à cet effet.

**Pour desserrer avec la méthode de «  cliquet manuel » :**

- Sans retirer la clé de l'écrou de la douille de serrage (U), relâchez la pression sur le bouton de blocage de l'arbre (E).
- Avec la clé toujours sur l'écrou de la douille de serrage (U), inversez la direction de serrage pour réinitialiser la position de la clé.
- Réappuyez sur le bouton de blocage de l'arbre (E) et tournez la clé vers la gauche.
- Répétez cette procédure jusqu'à ce que l'écrou de la douille de serrage (U) soit assez desserré pour retirer la fraise.

### Douille de serrage

**REMARQUE :** ne jamais serrer la douille sans qu'une fraise à défoncer y soit déjà installée. Le fait de resserrer une douille vide, même manuellement, pourrait l'endommager.

Pour changer de taille de douille, dévissez le dispositif de la douille comme décrit ci-dessus. Installez la douille désirée en inversant la procédure. La douille de serrage et son écrou sont soudés. N'essayez pas de séparer la douille de serrage de son écrou.

### Réglage du levier de verrouillage (Fig. 4)

**⚠AVERTISSEMENT : pour réduire tout risque de dommages corporels, arrêter et débrancher l'appareil du secteur avant d'installer ou de retirer tout accessoire, avant tout réglage ou pour faire toute réparation.** Tout démarrage accidentel comporte des risques de dommages corporels.

Ne pas exercer de force excessive pour resserrer le levier de verrouillage. Toute force excessive pourrait endommager la base.

Lorsque le levier de verrouillage est arimé, le moteur ne devrait pas bouger sur la base.

Un réglage supplémentaire sera nécessaire si le levier de verrouillage ne l'immobilise pas sans utiliser une force excessive ou si le moteur continue de bouger sur la base après arrimage.

**Pour ajuster la force de serrage du levier de verrouillage :**

- Ouvrez le levier de verrouillage (I).
- À l'aide d'une clé hexagonale, tournez graduellement la vis de réglage (S) du levier de verrouillage. Tourner la vis vers la droite resserre le levier, alors que tourner la vis vers la gauche le desserre.

### Centrage de la semelle (Fig. 5)

**⚠AVERTISSEMENT : pour réduire tout risque de dommages corporels, arrêter et débrancher l'appareil du secteur avant d'installer ou de retirer tout accessoire, avant tout réglage ou pour faire toute réparation.** Tout démarrage accidentel comporte des risques de dommages corporels.

Pour tout ajustement, changement ou remplacement de la semelle, il est recommandé d'utiliser un outil de centrage, reportez-vous à la section Accessoires. L'outil de centrage consiste en un cône et une gouille.

**Pour ajuster la semelle, suivez la procédure ci-après :**

- Desserrez les vis (FF) de la semelle, sans les retirer, de façon à ce que la semelle bouge librement.
- Insérez la gouille dans la douille puis resserrez l'écrou de la douille de serrage.
- Insérez le moteur dans la base et arrimez le levier de verrouillage sur la base.
- Placez le cône sur la gouille (fig. 5A) et appuyez légèrement sur le cône jusqu'à ce qu'il stoppe, comme illustré en figure 5B. Cela centrera la semelle.
- Tout en maintenant le cône appuyé, resserrez les vis de la semelle.

### Utilisation des guides-gabarits

La semelle ronde acceptera des guides-gabarits universels. Les accessoires recommandés pour cet outil sont vendus séparément chez les distributeurs locaux ou dans les centres de réparation agréés.

**REMARQUE :** la semelle en D n'a pas été conçue pour accepter des guides-gabarits et doit être utilisée avec des fraises de 34,9 mm (1-3/8 po) de diamètre.

**Utilisation des guides-gabarits :**

- Centrez la semelle. Reportez-vous à la section **Centrage de la semelle**.
- Installez le guide-gabarit (accessoire vendu séparément) sur la semelle puis serrez soigneusement.

### Réglage de la profondeur de coupe (Fig. 6)

**⚠AVERTISSEMENT : pour réduire tout risque de dommages corporels, arrêter et débrancher l'appareil du secteur avant d'installer ou de retirer tout accessoire, avant tout réglage ou pour faire toute réparation.** Tout démarrage accidentel comporte des risques de dommages corporels.

- Choisissez et installez la fraise désirée. **Reportez-vous à la section Retrait et installation de la fraise.**
- Assemblez la base au moteur, en veillant à ce que la base soit rattachée à la bague de réglage de profondeur. Placez la toupie sur la pièce à travailler.
- Ouvrez le levier de verrouillage (I) puis tournez la bague de réglage de profondeur (B) jusqu'à ce que la fraise touche la pièce. Tourner la bague vers la droite élève l'organe de coupe alors que vers la gauche cela l'abaissera.
- Tournez l'échelle de réglage de précision (H) vers la droite jusqu'à ce que le 0 sur l'échelle s'aligne sur le pointeur à l'extrémité de la bague de réglage de profondeur.
- Tournez la bague de réglage de profondeur jusqu'à ce que le pointeur s'aligne sur la profondeur de coupe désirée indiquée sur l'échelle de réglage de précision. **REMARQUE :** chaque repère sur l'échelle réglable représente un changement de profondeur de 0,4 mm (1/64 po ou 0,015 po) et un tour complet (360 °) de la bague change la profondeur de 12,7 mm (0,5 po).
- Refermez le levier de verrouillage (I) pour verrouiller la base.

### Utilisation d'un guide de chant (Fig. 7, 9)

Un guide de chant (modèle DNP618) est vendu séparément chez votre détaillant local ou centre de réparation.

- Retirez le bloc-moteur de la base. **Reportez-vous à la section Libération instantanée du moteur**.
- Retirez la vis à tête plate (GG) des orifices de stockage sur le guide de chant.
- Glissez le guide de chant sur la gorge du guide de chant (J) sur le côté de la base fixe ou (X) sur le côté de la base plongeante. Insérez les deux vis à tête plate dans les orifices appropriés de la semelle pour arrimer le guide de chant. Resserrez les vis.
- Suivez les instructions incluses avec le guide de chant.

**REMARQUE :** pour retirer le guide de chant, inversez la procédure ci-dessus. Chaque fois que le guide de chant est retiré, placez systématiquement les deux vis à tête plate dans les orifices de stockage sur le guide de chant pour éviter de les perdre.

### Utilisation d'un guide de chant de luxe (Base plongeante seulement)

Un guide de chant de luxe (modèle DW6913) est vendu séparément chez votre détaillant local ou centre de réparation. Suivez les instructions d'assemblage incluses avec le guide de chant.

### Buse d'aspiration (Base fixe seulement, Fig. 8)

**AVERTISSEMENT : pour réduire tout risque de dommages corporels, arrêter et débrancher l'appareil du secteur avant d'installer ou de retirer tout accessoire, avant tout réglage ou pour faire toute réparation.** Tout démarrage accidentel comporte des risques de dommages corporels.

**Pour connecter la toupie à un aspirateur pour recouvrir la poussière, suivez la procédure ci-après :**

- Retirez le bloc-moteur de la base. Reportez-vous à la section **Libération instantanée du moteur**.
- Rattachez la buse d'aspiration (V) à la base, comme illustré. Resserrez à la main les vis à serrage manuel (W).
- Connectez le raccord de tuyau à la buse d'aspiration.
- Lorsque la buse d'aspiration est utilisée, veillez à ce que l'aspirateur soit correctement placé. Veillez à ce que l'aspirateur soit stable et que son tuyau n'interfère pas avec le travail en cours.

### Buse d'aspiration (Base plongeante seulement, Fig. 9)

- Retirez le bloc-moteur de la base plongeante. Reportez-vous à la section **Libération instantanée du moteur**.
- Poussez la languette (HH, encadré) sur la buse d'aspiration dans l'encoche sur la base plongeante, et la languette à ressort (II, encadré) dans l'orifice de la base plongeante.
- Arrimez-la à la base avec la rondelle plastique (JJ) et la vis à serrage manuel (KK) fournies à cet effet. Resserrez soigneusement à la main la vis à serrage manuel.
- Connectez le raccord de tuyau à la buse d'aspiration.
- Lorsque la buse d'aspiration est utilisée, veillez à ce que l'aspirateur soit correctement placé. Veillez à ce que l'aspirateur soit stable et que son tuyau n'interfère pas avec le travail en cours.

### Configuration : base fixe (Fig. 1, 2)

**INSERTION DU MOTEUR DANS LA BASE FIXE (Fig. 1, 2, 10)**

**⚠AVERTISSEMENT : pour réduire tout risque de dommages corporels, arrêter et débrancher l'appareil du secteur avant d'installer ou de retirer tout accessoire, avant tout réglage ou pour faire toute réparation.** Tout démarrage accidentel comporte des risques de dommages corporels.

- Ouvrez le levier de verrouillage (I) sur la base.
- Si la bague de réglage de profondeur (B) n'est pas sur le moteur, vissez la bague de réglage de profondeur (B) sur le moteur jusqu'à ce que la bague soit à mi-chemin entre la partie supérieure et inférieure du moteur, comme illustré. Insérez le moteur dans la base en alignant la rainure sur le moteur (G) sur les tenons de guidage (R) sur la base. Enfoncez le moteur jusqu'à ce que bague de réglage de profondeur s'enclenche en place. **REMARQUE :** les rainures des tenons de guidage (G) sont situées de chaque côté du moteur de façon à pouvoir l'orienter de deux façons.
- Ajustez la profondeur de coupe en tournant la bague de réglage de profondeur. Reportez-vous à la section **Réglage de la profondeur de coupe**.



- Fermez le levier de verrouillage (I) lorsque la profondeur de coupe désirée est atteinte. Pour plus d'informations sur le réglage de la profondeur de coupe, reportez-vous à la section **Réglage de la profondeur de coupe**.

### Configuration : base plongeante (Fig. 1, 10, 11)

#### INSERTION DU MOTEUR DANS LA BASE PLONGEANTE

**⚠AVERTISSEMENT : pour réduire tout risque de dommages corporels, arrêter et débrancher l'appareil du secteur avant d'installer ou de retirer tout accessoire, avant tout réglage ou pour faire toute réparation. Tout démarrage accidentel comporte des risques de dommages corporels.**

- Retirez la bague de réglage de profondeur (B) du moteur. Elle n'est pas utilisée avec la base plongeante.
**REMARQUE : fixer la bague de réglage de profondeur sur la base fixe en fin d'utilisation pour éviter de la perdre.**
- Insérez le moteur dans la base en alignant la rainure sur le moteur (G) sur les tenons de guidage (R) sur la base. Enfoncez le moteur jusqu'à ce qu'il rencontre sa butée (AA).
- Fermez le levier de verrouillage (I).

#### RÉGLAGE DE LA PROFONDEUR DE COUPE EN PLONGÉE (FIG. 11)

**⚠AVERTISSEMENT : pour réduire tout risque de dommages corporels, arrêter et débrancher l'appareil du secteur avant d'installer ou de retirer tout accessoire, avant tout réglage ou pour faire toute réparation. Tout démarrage accidentel comporte des risques de dommages corporels.**

- Déverrouillez le mécanisme de plongée en rabattant le levier de verrouillage de plongée (P). Abaissez à fond la toupie pour laisser la fraise toucher à peine la pièce à travailler.
- Reverrouillez le mécanisme de plongée en libérant le levier de verrouillage de plongée (P).
- Desserrez la tige de réglage de profondeur (O) en tournant la vis à serrage manuel (BB) vers la gauche.
- Poussez la tige de réglage de profondeur (O) vers le bas jusqu'à la butée de tourelle (N) la plus basse.
- Poussez vers le bas la languette de réglage du zéro (EE) sur la tige de réglage de profondeur de façon à ce que sa partie supérieure soit à la hauteur du zéro de l'échelle de réglage de profondeur (DD).
- Attrapez la partie supérieure, saillante, de la tige de réglage de profondeur (O) et poussez-la vers le haut de façon à ce que la languette (EE) s'aligne sur la profondeur de coupe désirée sur l'échelle de réglage de profondeur (DD).
- Resserrez la vis à serrage manuel (BB) pour maintenir la tige de réglage de profondeur en place.
- En gardant les deux mains sur les poignées, déverrouillez le mécanisme de plongée en rabattant le levier de verrouillage de plongée (P). Le mécanisme de plongée et le moteur s'éleveront. Lorsque la toupie sera abaissée, la tige de réglage de profondeur rencontrera la butée de tourelle, permettant ainsi à la toupie de s'arrêter exactement à la profondeur désirée.

#### UTILISATION DE LA TOURELLE ROTATIVE POUR EFFECTUER DES COUPES ÉCHELONNÉES (FIG. 11)

Si la profondeur de coupe désirée ne peut se faire en un seul passage, tournez la tourelle de façon à ce que la tige de profondeur (O) s'aligne tout d'abord sur la butée de tourelle la plus haute. Après chaque passage, tournez la tourelle de façon à ce que la butée de profondeur s'aligne sur une tige plus courte jusqu'à atteindre la profondeur de coupe désirée.

**⚠AVERTISSEMENT : ne pas déplacer la butée de tourelle alors que la toupie tourne. Cela rapprocherait vos mains trop près de l'organe de coupe.**

#### RÉGLAGE DE PRÉCISION DE LA PROFONDEUR DE COUPE (FIG. 11)

**⚠AVERTISSEMENT : pour réduire tout risque de dommages corporels, arrêter et débrancher l'appareil du secteur avant d'installer ou de retirer tout accessoire, avant tout réglage ou pour faire toute réparation. Tout démarrage accidentel comporte des risques de dommages corporels.**

Le bouton moleté (CC) à l'extrémité de la tige de réglage de profondeur peut être utilisé pour effectuer des réglages mineurs.

- Pour diminuer la profondeur de coupe, tournez le bouton vers la droite (si l'on regarde la toupie du haut vers le bas).
- Pour augmenter la profondeur de coupe, tournez le bouton vers la gauche (si l'on regarde la toupie du haut vers le bas).

**REMARQUE : un tour complet du bouton modifiera la profondeur d'environ 1 mm (5/128 po ou 0,04 po).**

#### COUPES AVEC LA BASE PLONGEANTE (FIG. 11)

**⚠AVERTISSEMENT : pour réduire tout risque de dommages corporels, arrêter et débrancher l'appareil du secteur avant d'installer ou de retirer tout accessoire, avant tout réglage ou pour faire toute réparation. Tout démarrage accidentel comporte des risques de dommages corporels.**

**REMARQUE : la profondeur de coupe est verrouillée par défaut sur la base plongeante. Le verrou de plongée requiert l'activation de l'utilisateur pour amorcer le mécanisme de plongée de « libération pour verrouiller ».**

- Appuyez sur le levier de verrouillage de plongée (P) et abaissez la toupie jusqu'à ce que la fraise atteigne la profondeur désirée.
- Relâchez le levier de verrouillage de plongée (P) lorsque la profondeur de coupe désirée est atteinte.
**REMARQUE : le fait de relâcher le levier de verrouillage de plongée verrouillera automatiquement le moteur.**
**REMARQUE : si une force additionnelle est nécessaire, utiliser la main pour appuyer sur le levier de verrouillage de plongée.**
- Effectuez la coupe.
- Le fait de pousser sur le levier de verrouillage de plongée désactivera le mécanisme de verrouillage permettant ainsi à la fraise à défoncer de sortir de la pièce.
- Arrêtez la toupie.

### Utilisation : Toute base

#### DIRECTION DE L'ALIMENTATION (FIG. 12)

La direction d'alimentation est très importante avec une toupie et peut faire la différence quant à la réussite ou au gâchis d'un projet. Les figures illustrent la bonne direction d'alimentation pour certaines coupes typiques. En règle générale, déplacez la toupie vers la gauche pour une coupe externe et vers la droite pour une coupe interne.

**Pour façonner les bords externes d'un morceau de bois, suivez la procédure ci-après :**

- Façonnez le fil d'extrémité de la gauche vers la droite.
- Façonnez le côté fil droit en allant de la gauche vers la droite.
- Coupez ensuite l'autre fil d'extrémité.
- Terminez la bordure restante de fil droit.

#### SÉLECTION DE LA VITESSE DE LA TOUPIE (DWP611 ET DWP611PK SEULEMENT) (FIG. 1)

Reportez-vous au **Tableau de sélection de la vitesse** pour choisir la vitesse de la toupie. Tournez le variateur de vitesse (C) pour contrôler la vitesse de la toupie.

#### FONCTION DÉMARRAGE EN DOUCEUR (TOUT MODÈLE)

Les toupies compactes sont équipées d'une fonction électronique permettant le démarrage en douceur pour minimiser le couple de démarrage du moteur.

#### RÉGULATEUR AUTOMATIQUE DE VITESSE (TOUT MODÈLE) (FIG. 1)

Cette toupie est équipée d'un variateur de vitesse (C) offrant un nombre infini de vitesses possibles, entre 16 000 et 27 000 r/min. Ajustez la vitesse en tournant le cadran du variateur de vitesse (C).

**AVIS : en vitesse réduite ou moyenne, le régulateur automatique de vitesse évite que la vitesse du moteur tombe. Si vous vous attendez à percevoir un changement de vitesse, et continuez à pousser le moteur, cela pourra le faire surchauffer et l'endommager. Réduisez la profondeur de coupe et/ou ralentissez la vitesse d'alimentation pour prévenir tout dommage matériel.**

Les toupies compactes sont équipées d'une fonction électronique pour contrôler et maintenir la vitesse de l'outil lors de la coupe.

TABLEAU DE SÉLECTION DE VITESSE		
RÉGLAGE CADRAN	R/MIN APPROX.	UTILISATION
1	16 000	
2	18 200	Fraises et forets de large diamètre
3	20 400	
4	22 600	Fraises et forets de diamètre réduit.
5	24 800	Bois tendres, plastiques, laminés.
6	27 000	

**REMARQUE : pour améliorer la qualité, effectuez la coupe en plusieurs passages.**

### Guide de dépannage

Pour toute assistance technique concernant votre outil, veuillez visiter le site : www.dewalt.com ou appeler le 1-800-4-DEWALT (1-800-433-9258).

### ENTRETIEN

**⚠AVERTISSEMENT : pour réduire le risque de blessures, éteindre l'appareil et le débrancher avant d'installer ou de retirer tout accessoire et avant d'effectuer des réglages ou des réparations. Un démarrage accidentel peut provoquer des blessures.**

### Nettoyage

**⚠AVERTISSEMENT : enlever les saletés et la poussière hors des événements au moyen d'air comprimé propre et sec, au moins une fois par semaine. Pour minimiser le risque de blessure aux yeux, toujours porter une protection oculaire conforme à la norme ANSI Z87.1 lors du nettoyage.**

**⚠AVERTISSEMENT : ne jamais utiliser de solvants ni d'autres produits chimiques puissants pour nettoyer les pièces non métalliques de l'outil. Ces produits chimiques peuvent affaiblir les matériaux de plastique utilisés dans ces pièces. Utiliser un chiffon humecté uniquement d'eau et de savon doux. Ne jamais laisser de liquide pénétrer dans l'outil et n'immerger aucune partie de l'outil dans un liquide.**

### Démarrage impossible

Si l'outil ne démarre pas, s'assurer que les lames de la fiche du cordon d'alimentation sont bien enfoncées dans la prise de courant. Vérifier également que les fusibles ne sont pas grillés ou que le disjoncteur ne s'est pas déclenché.

### Lubrification

L'outil a été lubrifié avec une quantité suffisante de lubrifiant de haute qualité pour la durée de vie de celui-ci sous des conditions d'utilisation normale. Aucune lubrification supplémentaire n'est nécessaire.

### Inspection des balais

Pour assurer votre sécurité et votre protection contre tout problème électrique, toute réparation, maintenance et tout réglage des balais sur cet outil doivent être effectués EXCLUSIVEMENT par un centre de réparation en usine DeWALT, un centre de réparation DEWALT agréé ou tout autre personnel de réparation qualifié.

Approximativement toutes les 100 heures d'utilisation, veuillez amener ou envoyer votre outil chez le centre de réparation d'usine DeWALT ou un centre de réparation agréé DeWALT le plus proche, pour une inspection et une maintenance approfondies. Faites remplacer toute pièce usée et lubrifier l'outil avec un lubrifiant frais. Faites remplacer les balais et tester les performances de l'outil.

Toute perte de puissance de l'outil avant l'inspection de maintenance susdite pourra indiquer que l'outil nécessite immédiate attention. NE PAS CONTINUER D'UTILISER L'OUTIL DANS CES CONDITIONS. Si la tension du secteur est correcte, ramenez votre outil chez un réparateur agréé pour qu'il reçoive immédiate attention.

### Cirage du moteur et de la base

Pour faciliter la mobilité du bloc-moteur par rapport à la base, l'extérieur du bloc-moteur et l'intérieur de la base peuvent être cirés à l'aide d'une cire en pâte ou liquide standard. Conformément aux instructions du fabricant, cirez le diamètre externe du bloc-moteur et le diamètre interne de la base. Laissez la cire sécher puis éliminez tout résidu avec un chiffon doux.

### Réparations

Pour assurer la SÉCURITÉ et la FIABILITÉ du produit, les réparations, l'entretien et les réglages doivent être réalisés (cela comprend l'inspection et le remplacement du balai) par un centre de réparation en usine DeWALT, un centre de réparation agréé DeWALT ou par d'autres techniciens qualifiés. Toujours utiliser des pièces de rechange identiques.

### Accessoires

**⚠AVERTISSEMENT : puisque les accessoires autres que ceux offerts par DEWALT n'ont pas été testés avec ce produit, leur utilisation pourrait s'avérer dangereuse. Pour réduire le risque de blessures, utiliser exclusivement les accessoires DEWALT recommandés avec le présent produit.**

Les accessoires recommandés pour cet outil sont vendus séparément au centre de service de votre région. Pour obtenir de l'aide concernant l'achat d'un accessoire, communiquer avec DeWALT Industrial Tool Co., 701 East Joppa Road, Baltimore, MD 21286 aux États-Unis; composer le 1 (800) 4-DEWALT (1-800-433-9258) ou visiter notre site Web www.dewalt.com.

### Garantie limitée de trois ans

DeWALT réparera, sans frais, tout produit défectueux causé par un défaut de matériel ou de fabrication pour une période de trois ans à compter de la date d'achat. La présente garantie ne couvre pas les pièces dont la défectuosité a été causée par une usure normale ou l'usage abusif de l'outil. Pour obtenir de plus amples renseignements sur les pièces ou les réparations couvertes par la présente garantie, visiter le site www.dewalt.com ou composer le 1 800 433-9258 (1 800 4-DEWALT). Cette garantie ne s'applique pas aux accessoires et ne vise pas les dommages causés par des réparations effectuées par un tiers. Cette garantie confère des droits légaux particuliers à l'acheteur, mais celui-ci pourrait aussi bénéficier d'autres droits variant d'un état ou d'une province à l'autre.

En plus de la présente garantie, les outils DeWALT sont couverts par notre :

#### CONTRAT D'ENTRETIEN GRATUIT D'UN AN

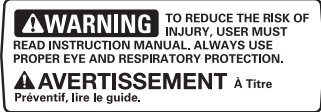
DeWALT entretiendra l'outil et remplacera les pièces usées au cours d'une utilisation normale et ce, gratuitement, pendant une période d'un an à compter de la date d'achat.

#### GARANTIE DE REMBOURSEMENT DE 90 JOURS

Si l'acheteur n'est pas entièrement satisfait, pour quelque raison que ce soit, du rendement de l'outil électrique, du laser ou de la cloueuse DeWALT, celui-ci peut le retourner, accompagné d'un reçu, dans les 90 jours à compter de la date d'achat pour obtenir un remboursement intégral, sans aucun problème.

**AMÉRIQUE LATINE : Cette garantie ne s'applique aux produits vendus en Amérique latine. Pour ceux-ci, veuillez consulter les informations relatives à la garantie spécifique présente dans l'emballage, appeler l'entreprise locale ou consulter le site Web pour les informations relatives à cette garantie.**

**REMPLACEMENT GRATUIT DES ÉTIQUETTES D'AVERTISSEMENT : Si les étiquettes d'avertissement deviennent illisibles ou sont manquantes, composer le 1 800 433-9258 (1 800 4-DEWALT) pour en obtenir le remplacement gratuit.**



### Definiciones: Normas de seguridad

Las siguientes definiciones describen el nivel de gravedad de cada palabra de señal. Lea el manual y preste atención a estos símbolos.

**⚠PELIGRO: indica una situación de peligro inminente que, si no se evita, provocará la muerte o lesiones graves.**

**⚠ADVERTENCIA: indica una situación de peligro potencial que, si no se evita, podría provocar la muerte o lesiones graves.**

**⚠ATENCIÓN: indica una situación de peligro potencial que, si no se evita, posiblemente provocaría lesiones leves o moderadas.**

**AVISO: se refiere a una práctica no relacionada a lesiones corporales que de no evitarse puede resultar en daños a la propiedad.**

SI TIENE ALGUNA DUDA O ALGÚN COMENTARIO SOBRE ÉSTA U OTRA HERRAMIENTA DEWALT, LLÁMENOS AL NÚMERO GRATUITO: **1-800-4-DEWALT (1-800-433-9258)**.

**⚠ADVERTENCIA: Para reducir el riesgo de lesiones, lea el manual de instrucciones.**

### Advertencias generales de seguridad para herramientas eléctricas

**⚠ADVERTENCIA! Lea todas las advertencias de seguridad e instrucciones El incumplimiento de las advertencias e instrucciones puede provocar descargas eléctricas, incendios o lesiones graves.**

### CONSERVE TODAS LAS ADVERTENCIAS E INSTRUCCIONES PARA FUTURAS CONSULTAS

El término “herramienta eléctrica” incluido en las advertencias hace referencia a las herramientas eléctricas operadas con corriente (con cable eléctrico) o a las herramientas eléctricas operadas con baterías (inalámbricas).

#### 1) SEGURIDAD EN EL ÁREA DE TRABAJO

- Mantenga el área de trabajo limpia y bien iluminada.** Las áreas abarrotadas y oscuras propician accidentes.
- No opere las herramientas eléctricas en atmósferas explosivas, como ambientes donde haya polvo, gases o líquidos inflamables.** Las herramientas eléctricas originan chispas que pueden encender el polvo o los vapores.
- Mantenga alejados a los niños y a los espectadores de la herramienta eléctrica en funcionamiento.** Las distracciones pueden provocar la pérdida de control.

#### 2) SEGURIDAD ELÉCTRICA

- Los enchufes de la herramienta eléctrica deben adaptarse al tomacorriente. Nunca modifique el enchufe de ninguna manera. No utilice ningún enchufe adaptador con herramientas eléctricas con conexión a tierra.** Los enchufes no modificados y que se adaptan a los tomacorrientes reducirán el riesgo de descarga eléctrica.
- Evite el contacto corporal con superficies con descargas a tierra como, por ejemplo, tuberías, radiadores, cocinas eléctricas y refrigeradores.** Existe mayor riesgo de descarga eléctrica si su cuerpo está puesto a tierra.
- No exponga las herramientas eléctricas a la lluvia o a condiciones de humedad.** Si entra agua a una herramienta eléctrica, aumentará el riesgo de descarga eléctrica.
- No maltrate el cable. Nunca utilice el cable para transportar, tirar o desenchufar la herramienta eléctrica.** Mantenga el cable alejado del calor, el aceite, los bordes filosos y las piezas móviles. Los cables dañados o enredados aumentan el riesgo de descarga eléctrica.
- Al operar una herramienta eléctrica en el exterior, utilice un cable prolongador adecuado para tal uso.** Utilice un cable adecuado para uso en exteriores a fin de reducir el riesgo de descarga eléctrica.
- Si el uso de una herramienta eléctrica en un lugar húmedo es imposible de evitar, utilice un suministro protegido con un interruptor de circuito por falla a tierra (GFCI).** El uso de un GFCI reduce el riesgo de descargas eléctricas.

#### 3) SEGURIDAD PERSONAL

- Permanezca alerta, controle lo que está haciendo y utilice el sentido común cuando emplee una herramienta eléctrica. No utilice una herramienta eléctrica si está cansado o bajo el efecto de drogas, alcohol o medicamentos.** Un momento de descuido mientras se opera una herramienta eléctrica puede provocar lesiones personales graves.
- Utilice equipos de protección personal. Siempre utilice protección para los ojos.** En las condiciones adecuadas, el uso de equipos de protección, como máscaras para polvo, calzado de seguridad antideslizante, cascos o protección auditiva, reducirá las lesiones personales.
- Evite el encendido por accidente. Asegúrese de que el interruptor esté en la posición de apagado antes de conectarlo a la fuente de energía o paquete de baterías, o antes de levantar o transportar la herramienta.** Transportar herramientas eléctricas con el dedo apoyado en el interruptor o enchufar herramientas eléctricas con el interruptor en la posición de encendido puede propiciar accidentes.
- Retire la clavija de ajuste o la llave de tuercas antes de encender la herramienta eléctrica.** Una llave de tuercas o una clavija de ajuste que quede conectada a una pieza giratoria de la herramienta eléctrica puede provocar lesiones personales.
- Ne se estire. Conserve el equilibrio y párese adecuadamente en todo momento.** Esto permite un mejor control de la herramienta eléctrica en situaciones inesperadas.
- Use la vestimenta adecuada. No use ropas holgadas ni joyas.** Mantenga el cabello, la ropa y los guantes alejados de las piezas en movimiento. Las ropas holgadas, las joyas o el cabello largo pueden quedar atrapados en las piezas en movimiento.
- Si se suministran dispositivos para la conexión de accesorios con fines de recolección y extracción de polvo, asegúrese de que estén conectados y que se utilicen correctamente.** El uso de dispositivos de recolección de polvo puede reducir los peligros relacionados con el polvo.

#### 4) USO Y MANTENIMIENTO DE LA HERRAMIENTA ELÉCTRICA

- No fuerce la herramienta eléctrica. Utilice la herramienta eléctrica correcta para el trabajo que realizará.** Si se la utiliza a la velocidad para la que fue diseñada, la herramienta eléctrica correcta permite trabajar mejor y de manera más segura.
- No utilice la herramienta eléctrica si no puede encenderla o apagarla con el interruptor.** Toda herramienta eléctrica que no pueda ser controlada mediante el interruptor es peligrosa y debe repararse.
- Desconecte el enchufe de la fuente de energía o el paquete de baterías de la herramienta eléctrica antes de realizar ajustes, cambiar accesorios o almacenar la herramienta eléctrica.** Estas medidas de seguridad preventivas reducen el riesgo de encender la herramienta eléctrica en forma accidental.
- Guarde la herramienta eléctrica que no esté en uso fuera del alcance de los niños y no permita que otras personas no familiarizadas con ella o con estas instrucciones operen la herramienta.** Las herramientas eléctricas son peligrosas si son operadas por usuarios no capacitados.
- Realice el mantenimiento de las herramientas eléctricas. Revise que no haya piezas en movimiento mal alineadas o trabadas, piezas rotas o cualquier otra situación que pueda afectar el funcionamiento de la herramienta eléctrica. Si encuentra daños, haga reparar la herramienta eléctrica antes de utilizarla.** Se producen muchos accidentes a causa de las herramientas eléctricas que carecen de un mantenimiento adecuado.
- Mantenga las herramientas de corte afiladas y limpias.** Las herramientas de corte con mantenimiento adecuado y con los bordes de corte afilados son menos propensas a trabarse y son más fáciles de controlar.
- Utilice la herramienta eléctrica, los accesorios y las brocas de la herramienta, etc. de acuerdo con estas instrucciones y teniendo en cuenta las condiciones de trabajo**



**y el trabajo que debe realizarse.** El uso de la herramienta eléctrica para operaciones diferentes de aquéllas para las que fue diseñada podría originar una situación peligrosa.

5) **MANTENIMIENTO**

a) **Solicite a una persona calificada en reparaciones que realice el mantenimiento de su herramienta eléctrica y que sólo utilice piezas de repuesto idénticas.** Esto garantizará la seguridad de la herramienta eléctrica.

### Normas específicas de seguridad adicionales

- Sostenga la herramienta eléctrica por sus superficies de empuñadura aisladas cuando realice una operación en la cual la herramienta para cortar pudiera entrar en contacto con instalaciones eléctricas ocultas o con su propio cable.** El contacto con un conductor activo provocará que las piezas metálicas de la herramienta conduzcan electricidad y que el operador reciba una descarga eléctrica.
- Use abrazaderas u otra manera práctica de fijar y sujetar la pieza de trabajo a una plataforma estable.** El sujetar la pieza con la mano o contra su cuerpo la vuelve inestable y puede dar como resultado el que pierda el control.

- NO corte partes metálicas.**
- Mantenga las agarraderas y superficies de agarre secas, limpias y libres de aceite y grasa.** Esto permitirá un mejor control de la herramienta.
- Mantenga un agarre firme, con ambas manos sobre la rebajadora, para resistir el par de arranque.**
- Mantenga sus manos alejadas del área de corte. Nunca ponga su mano debajo del pieza de trabajo, por ningún motivo.** Cuando corte mantenga la base de la rebajadora firmemente en contacto con la pieza de trabajo. Estas precauciones reducirán el riesgo de lesiones personales.
- Nunca encienda la unidad del motor cuando no esté insertas en una de las bases de rebajadora.** El motor no está diseñado para ser portátil.
- Mantenga constante la presión de corte.** No sobrecargue el motor.
- Compruebe que el cable no se enganche ni obstaculice la operación de rebajado.**
- Utilice cuchillas afiladas.** Las cuchillas romas pueden hacer que la rebajador ase desvíe o se atasque cuando se le aplique presión.
- Asegúrese que el motor se haya detenido por completo antes de poner la rebajadora a un lado.** Si el cabezal de corte sigue girando cuando ponga la herramienta a un lado, podría lesionarlo o dañarse.
- Asegúrese que la broca de rebajadora esté lejos de la pieza de trabajo antes de arrancar el motor.** Si la broca entra en contacto con la pieza de trabajo cuando arranque el motor, podría hacer que la rebajadora salte, causando daños o lesiones.
- Desconecte SIEMPRE la herramienta de la corriente eléctrica antes de hacer ajustes o cambiar brocas.**
- Mantenga las manos alejadas de la broca cuando el motor esté funcionando, a fin de evitar lesiones personales.**
- NUNCA toque la broca inmediatamente después de haberla usado. Puede encontrarse extremadamente caliente.**
- Para cortar a través despeje el espacio debajo de la pieza de trabajo para la broca de rebajadora.**
- Apriete la tuerca de la boquilla de forma segura, para evitar que la broca resbale.**
- Nunca apriete la tuerca de la boquilla sin broca.**
- No utilice brocas de rebajadora con un diámetro superior a 34,9 mm (1-3/8 pulg.) en esta herramienta.**

- Utilice siempre cuchillas con un diámetro del vástago de 6,4 mm (1/4 pulg.), que corresponde al tamaño de la boquilla de su herramienta.
- Siempre use cuchillas adecuadas para una velocidad de min. 27 000 min<sup>-1</sup> y marcadas en forma correspondiente.

- No recomendada para usarse sobre una mesa de rebajado.**
- Evite el corte en ascenso (corte en dirección opuesta a la que se muestra en la Figura 12). El corte en ascenso aumenta la probabilidad de pérdida de control que puede dar como resultado posibles lesiones.** Cuando es necesario cortar en ascenso (respaldo alrededor de una esquina), tome precauciones extremas para mantener el control de la rebajadora. Haga cortes pequeños y retire un mínimo de material con cada pasada.
- Para garantizar la seguridad, un cable prolongador debe tener un tamaño de cable adecuado (AWG o Calibre de conductor de Estados Unidos).** Cuanto más pequeño sea el número de calibre del conductor, mayor será la capacidad del cable; es decir, un calibre 16 tiene más capacidad que un calibre 18. Un alargador de menor calibre causará una caída en el voltaje de la línea lo que resultará en pérdida de potencia y sobrecalentamiento. Cuando se utiliza más de una prolongación para lograr la longitud total, asegúrese de que cada prolongación tenga la medida mínima del conductor. El siguiente cuadro muestra el tamaño correcto a utilizar, dependiendo del largo del cable y el amperaje nominal. En caso de duda, utilice el de mayor calibre. Mientras menor el número del calibre, mayor la capacidad del cable.

Calibre mínimo para juegos de cables						
Capacidad nominal en amperios		Voltios	Largo total del cable en metros (en pies)			
		120V	7,6 (25)	15,2 (50)	30,5 (100)	45,7 (150)
		240V	15,2 (50)	30,5 (100)	61,0 (200)	91,4 (300)
Desde	Hasta	AWG				
0	6		18	16	16	14
6	10		18	16	14	12
10	12		16	16	14	12
12	16		14	12		No recomendado

**⚠ADVERTENCIA: SIEMPRE** use anteojos de seguridad. (ANSI Z87.1) or (CAN/CSA Z94.3)
Los anteojos de uso diario NO son anteojos de seguridad. Utilice también máscaras faciales o para polvo si el corte produce polvillo. UTILICE SIEMPRE EQUIPO DE SEGURIDAD CERTIFICADO:

- Protección para la vista según la norma ANSI Z87.1 (CAN/CSA Z94.3)
- Protección auditiva según la norma ANSI S12.6 (S3.19)
- Protección respiratoria según las normas NIOSH/OSHA

**⚠ADVERTENCIA:** Parte del polvo producido por las herramientas eléctricas al lijar, aserrar, esmerilar, taladrar y realizar otras actividades de construcción contiene productos químicos reconocidos por el Estado de California como causantes de cáncer, defectos de nacimiento u otros problemas reproductivos. Algunos ejemplos de estos productos químicos son:

- el plomo de las pinturas de base plomo,
- la sílice cristalina de los ladrillos, el cemento y otros productos de mampostería, y
- el arsénico y el cromo de la madera con tratamiento químico.

El riesgo derivado de la exposición a estos productos químicos varía según la frecuencia con la que se realice este tipo de trabajo. Para reducir su exposición, trabaje en áreas bien ventiladas y use equipos de seguridad aprobados, como las máscaras para polvo especialmente diseñadas para filtrar las partículas microscópicas.

- Evite el contacto prolongado con el polvo originado al lijar, aserrar, esmerilar, taladrar y otras actividades constructivas. Vista ropas protectoras y lave las áreas expuestas con jabón y agua.** Permitir al polvo introducirse en su boca u ojos, o dejarlo sobre la piel, puede promover la absorción de químicos peligrosos.

**⚠ADVERTENCIA:** La utilización de esta herramienta puede originar polvo o dispersarlo, lo que podría causar daños graves y permanentes al sistema respiratorio, así como otras lesiones. Siempre use protección respiratoria aprobada por NIOSH/OSHA, apropiada para su uso en condiciones de exposición al polvo. Procure que las partículas no se proyecten directamente sobre su rostro o su cuerpo.

**⚠ADVERTENCIA:** Durante el uso, use siempre protección auditiva adecuada que cumpla con la norma ANSI S12.6 (S3.19). Bajo ciertas circunstancias y según el período de uso, el ruido producido por este producto puede contribuir a la pérdida de audición.

- La etiqueta de su herramienta puede incluir los siguientes símbolos. Los símbolos y sus definiciones son los siguientes:

V.....voltios	A..... amperios
Hz.....hertz	W..... vatios
min.....minutos	~ ..... corriente alterna
== ..... corriente directa	∞ ..... corriente alterna o directa
Ⓢ .....Construcción Clase I (con conexión a tierra)	∞o..... velocidad sin carga
Ⓢ .....Construcción Clase II (con aislamiento doble)	Ⓢ ..... terminal a tierra
RPM.....revoluciones o reciprocidad por minuto	⚠..... símbolo de alerta de seguridad
	.../min..... por minuto
	BPM.....golpes por minuto
	OPM.....órbitas por minuto

## CONSERVE ESTAS INSTRUCCIONES

### Motor

Asegúrese de que su alimentación eléctrica sea la requerida en la placa nominal. 120 voltios CA significa que su herramienta funcionará con corriente alterna. Una reducción de voltaje en tan poco como un 10% puede causar pérdida de potencia y puede resultar en sobrecalentamiento. Todas las herramientas DEWALT se prueban en fábrica; si la herramienta no funciona, compruebe la alimentación eléctrica.

**⚠ADVERTENCIA:** Los accesorios deben ser especificados como mínimo para la velocidad recomendada en la etiqueta de advertencia de la herramienta. Si funcionan a velocidades superiores a la prevista, los accesorios pueden salir despedidos y provocar lesiones. La clasificación de los accesorios debe estar siempre por encima de la velocidad de la herramienta, como se muestra en la placa de características de ésta.

**⚠ADVERTENCIA:** Para reducir el riesgo de lesiones, apague la unidad y desenchúfela antes de instalar y quitar accesorios, y antes de realizar ajustes o reparaciones. Un arranque accidental puede causar lesiones.

### Componentes (Fig. 1-11)

A. Lengüetas de liberación rápida	Q. Guía de borde
B. Anillo de ajuste de la profundidad	R. Espigos de guía
C. Selector de velocidad variable (DWP611 solamente)	S. Tornillo de ajuste de la palanca de bloqueo
D. Interruptor On(l)/off (o)	T. Herramienta de centrado
E. Botón de bloqueo del eje	U. Tuerca de la boquilla
F. Luces LED (DWP611 solamente)	V. Aditamento para aspiradora (base fija)
G. Surco del espigo de guía	W. Tornillos (aditamento para aspiradora)
H. Escala de micro ajuste	X. Ranura de guía de borde (base de penetración)
I. Palanca de bloqueo	Z. Unidad del motor
J. Ranura de guía de borde (base fija)	AA. Tope del motor
K. Sub-base (DWP610 tiene una sub-base redonda, DWP611 tiene una sub-base D), ambos están disponibles como accesorios.	BB. Tornillo de mariposa
L. Aditamento para aspiradora (Para utilizar con base de penetración)	CC. Perilla moleteada
M. Orificios para la guía de borde Premium (vendida en forma separada)	DD. Escala de ajuste de la profundidad
N. Tope de torre	EE. Lengüeta de ajuste de cero
O. Varilla de ajuste de la profundidad	FF. Tornillos para la guía de borde
P. Palanca de seguro de penetración	GG. Tornillos de la sub-base
	HH. Lengüeta (aditamento para vacío)
	II. Lengüeta de cierre (aditamento para aspiradora)
	JJ. Arandela plástica (aditamento para vacío)
	KK. Tornillo de mariposa (aditamento para aspiradora)

## OPERACIÓN

**⚠ADVERTENCIA:** Para reducir el riesgo de lesiones, apague la unidad y desenchúfela antes de instalar y quitar accesorios, y antes de realizar ajustes o reparaciones. Un arranque accidental puede causar lesiones.

**AVISO:** No utilice brocas de rebajadora con un diámetro superior a 34,9 mm (1-3/8 pulg.) en esta herramienta.

### Para conectar a la fuente de alimentación

**⚠ATENCIÓN:** Antes de conectar la herramienta a la fuente de alimentación, compruebe que el interruptor está en la posición “OFF”. Además, verifique el circuito de energía para constatar que es la misma que la indicada en la placa de especificaciones de la herramienta.

### Arranque y parada del motor (Fig. 1)

**⚠ATENCIÓN:** Antes de dar arranque a la herramienta, despeje la zona de trabajo de todo objeto extraño. Mantenga también un agarre firme de la herramienta para resistir el par de arranque.

**⚠ATENCIÓN:** Para evitar lesiones personales y/o daños al trabajo terminado, siempre permita a la unidad motriz el DETENERSE COMPLETAMENTE antes de separarse de la herramienta.

Para encender la unidad, presione el lado del interruptor protegido contra el polvo (D) que dice “ON” y que corresponde con el símbolo “I”. Para apagar la unidad, presione el lado del interruptor que dice “OFF” y corresponde con el símbolo “O”.

### Liberación rápida del motor (FIG. 2)

**⚠ADVERTENCIA:** Para reducir el riesgo de lesiones, apague la unidad y desenchúfela antes de instalar y quitar accesorios, y antes de realizar ajustes o reparaciones. Un arranque accidental puede causar lesiones.

- Abra la palanca de bloqueo (I) sobre la base.
- Sujete la unidad de motor con una mano, presionando las dos lengüetas de liberación rápida (A).
- Con la otra mano, sujete la base y hale el motor de la base.

### Instalación y desmontaje de la broca (Fig. 3)

**⚠ADVERTENCIA:** Para reducir el riesgo de lesiones, apague la unidad y desenchúfela antes de instalar y quitar accesorios, y antes de realizar ajustes o reparaciones. Un arranque accidental puede causar lesiones.

**PARA INSTALAR LA BROCA**

- Retire la unidad del motor de la unidad de la base, refiérase a **Liberación rápida del motor** (de ser necesario).
- Limpie e inserte el vástago redondo de la broca de rebajadora deseada en la boquilla floja tanto como se pueda y luego tire de ella aproximadamente 1,6 mm (1/16 pulg.).
- Oprima el botón del seguro del eje (E) para mantener en su lugar el eje del husillo mientras da vuelta a la tuerca de la boquilla (U) en sentido horario con la llave provista.

**NOTA:** La unidad está equipada con varios retenes de bloqueo del eje que permiten un método opcional de “trinquete manual” para apretar la broca.

**Para apretar con el método de “trinquete manual”:**

- Sin retirar la llave de la tuerca de la boquilla (U), afloje la presión sobre el botón del seguro del eje (E).
- Con la llave todavía en la tuerca de la boquilla (U), invierta el sentido de apriete para repositonar la llave.
- Oprima de nuevo el botón del seguro del eje (E) de nuevo y gire la llave en sentido horario.
- Repita el procedimiento hasta que la tuerca de la boquilla (U) alcance la firmeza deseada.

**AVISO:** Evite posibles daños a la boquilla. Nunca apriete la boquilla sin broca.

**PARA EXTRAER LA BROCA**

- Retire la unidad del motor de la unidad de la base, refiérase a **Liberación rápida del motor**.
- Oprima el botón del seguro del eje (E) para mantener en su lugar el eje del husillo mientras da vuelta a la tuerca de la boquilla (U) en sentido antihorario con la llave provista.

**Para aflojar utilizando el método del “trinquete manual”:**

- Sin retirar la llave de la tuerca de la boquilla (U), afloje la presión sobre el botón del seguro del eje (E).
- Con la llave todavía en la tuerca de la boquilla (U), invierta el sentido de aflojamiento para repositonar la llave.
- Oprima de nuevo el botón del seguro del eje (E) de nuevo y gire la llave en sentido antihorario.
- Repita el procedimiento hasta que la tuerca de la boquilla (U) esté floja y se pueda quitar la broca.

### Boquillas

**NOTA:** Nunca apriete boquilla sin instalar primero una broca de rebajadora en la misma. El apretar una boquilla vacía, así sea a mano, puede dañar la boquilla.

Para cambiar los tamaños de boquilla, desatornille el conjunto de la boquilla como se describe anteriormente. Instale la boquilla deseada invirtiendo el procedimiento. La boquilla y la tuerca de la boquilla están conectadas. No intente retirar la boquilla de la tuerca de la boquilla.

### Ajuste de la palanca de bloqueo (Fig. 4)

**⚠ADVERTENCIA:** Para reducir el riesgo de lesiones, apague la unidad y desenchúfela antes de instalar y quitar accesorios, y antes de realizar ajustes o reparaciones. Un arranque accidental puede causar lesiones.

No se debería utilizar fuerza excesiva para sujetar la palanca de bloqueo. El uso de fuerza excesiva puede dañar la base.

Cuando la palanca de bloqueo esté fija el motor no debe moverse en la base.

El ajuste es necesario si la palanca de bloqueo no sujeta sin una fuerza excesiva o si el motor se mueve en la base después de la sujeción.

**Para ajustar la fuerza de sujeción de la palanca de bloqueo:**

- Abra la palanca de bloqueo (I).
- Utilizando una llave hexagonal dé vuelta al tornillo de ajuste de la palanca de bloqueo (S) en pequeños incrementos.

El girar el tornillo en sentido horario aprieta la palanca, mientras que girar el tornillo en sentido antihorario afloja la palanca.

### Para centrar la sub-base (Fig. 5)

**⚠ADVERTENCIA:** Para reducir el riesgo de lesiones, apague la unidad y desenchúfela antes de instalar y quitar accesorios, y antes de realizar ajustes o reparaciones. Un arranque accidental puede causar lesiones.

Si usted necesita ajustar, cambiar o reemplazar la sub-base, se recomienda una herramienta de centrado; refiérase a la sección de **Accesorios**. La herramienta de centrado se compone de un cono y un espigo.

**Para ajustar la sub-base, siga los siguientes pasos:**

- Afloje pero no quite los tornillos de la sub-base (FF) de tal modo que la sub-base se mueva libremente.
- Inserte el espigo en la boquilla y apriete la tuerca de la boquilla.
- Inserte el motor en la base y fije la palanca de bloqueo sobre la base.
- Coloque el cono en el espigo (Fig. 5A) y presione ligeramente hacia abajo sobre el cono hasta que se detenga como se muestra en la Figura 5B. Esto centrará la sub-base.
- Mientras mantiene la presión sobre el cono, apriete los tornillos de la sub-base.

### Utilización de plantillas

La sub-base redonda aceptará plantillas universales. Los accesorios recomendados para su herramienta están disponibles con un cargo adicional en su distribuidor local o en el centro de servicio autorizado.

**NOTA:** La sub-base en forma de D no acomoda plantillas y está diseñada para dar cabida a brocas de hasta de 34,9 mm (1-3/8 pulg.) de diámetro.

**Para utilizar plantillas:**

- Centre la sub-base. Refiérase a **Para centrar la sub-base**.
- Instale la plantilla (disponible como accesorio) sobre la sub-base y apriete bien.

### Ajuste de la profundidad del corte (Fig. 6)

**⚠ADVERTENCIA:** Para reducir el riesgo de lesiones, apague la unidad y desenchúfela antes de instalar y quitar accesorios, y antes de realizar ajustes o reparaciones. Un arranque accidental puede causar lesiones

- Seleccione e instale la broca que desee. Refiérase a **Instalación y desmontaje de la broca**.
- Fije la base al motor, asegurándose de que la base está unida al anillo de ajuste de profundidad. Coloque la rebajadora sobre la pieza de trabajo.
- Abra la palanca de bloqueo (I) y gire el anillo de ajuste de profundidad (B) hasta que la broca apenas toque la pieza de trabajo. El girar el anillo en sentido horario levanta el cabezal de corte, mientras que el girarlo en sentido antihorario hace descender el cabezal de corte.
- Gire la escala micro ajustable (H) en sentido horario hasta que el 0 de la escala esté alineado con el puntero en la parte inferior del anillo de ajuste de profundidad.
- Gire el anillo de ajuste de profundidad hasta que el puntero quede alineado con la marca de profundidad deseada de corte sobre la escala micro ajustable.

**NOTA:** Cada marca en la escala ajustable representa un cambio en la profundidad de 0,4 mm (1/64 pulg. ó 0,015 pulg.) y una vuelta completa (360°) del anillo modifica la profundidad en 12,7 mm (0,5 pulg.).
- Cierre la palanca de bloqueo (I) para asegurar la base.

### Utilización de una Guía de borde (Fig. 7, 9)

Su distribuidor local o centro de servicio tiene a su disposición una guía de borde (modelo DNP618) con un costo adicional.

- Retire la unidad del motor de la unidad de la base, refiérase a **Liberación rápida del motor**.
- Quite los tornillos de cabeza plana (GG) de los orificios de almacenamiento en la guía de borde.
- Deslice la guía de borde en la ranura de guía de borde (J) sobre el lado de la base fija ó (X) sobre el lado de la base de penetración. Introduzca los dos tornillos de cabeza plana a través de los agujeros apropiados en la sub-base para sujetar la guía de borde. Apriete los accesorios de montaje.
- Siga todas las instrucciones incluidas con la guía de borde.

**NOTA:** Para quitar la guía de borde, invierta el procedimiento anterior. Después de retirar la guía de borde, siempre reemplace los dos tornillos de cabeza plana en los orificios de almacenamiento en la guía de borde para evitar su pérdida.

### Utilización de una Guía de borde Premium (Base de penetración únicamente)

Su distribuidor local o centro de servicio tiene a su disposición una Guía de borde Premium (modelo DW6913) con un costo adicional. Siga las instrucciones para montaje incluidas con la guía de borde.

### Aditamento para aspiradora (base fija únicamente, Fig. 8)

**⚠ADVERTENCIA:** Para reducir el riesgo de lesiones, apague la unidad y desenchúfela antes de instalar y quitar accesorios, y antes de realizar ajustes o reparaciones. Un arranque accidental puede causar lesiones.

Para conectar la rebajadora a una aspiradora para recolección de polvo, siga estos pasos:

- Retire la unidad del motor de la unidad de la base, refiérase a **Liberación rápida del motor**.
- Fije el accesorio de aditamento para aspiradora (V) a la base, como se muestra. Apriete firmemente los tornillos de mariposa (W) con la mano.
- Conecte el adaptador de la manguera al accesorio de aditamento para vacío.
- Al utilizar el aditamento para aspiradora tenga en cuenta la colocación de la aspiradora. Asegúrese de que la aspiradora está estable y de que su manguera no interferirá con el trabajo.

### Aditamento para aspiradora (base de penetración únicamente, Fig. 9)

- Retire la unidad del motor de la base de penetración, refiérase a **Liberación rápida del motor**.
- Deslice la lengüeta (HH, recuadro) sobre el aditamento para aspiradora en la ranura de la base de penetración y cierre la lengüeta (II, recuadro) en el orificio en la base de penetración.



- Fije a la base con la arandela de plástico (JJ) y el tornillo de mariposa (KK) suministrados. Apriete firmemente a mano el tornillo de mariposa.
- Fije el adaptador de la manguera al aditamento para aspiradora.
- Al utilizar el aditamento para aspiradora tenga en cuenta la colocación de la aspiradora. Asegúrese de que la aspiradora está estable y de que su manguera no interferirá con el trabajo.

### Disposición: Base fija (Fig. 1, 2)

**INSERCIÓN DEL MOTOR EN LA BASE FIJA (FIG. 1, 2, 10)**

**¡ADVERTENCIA:** *Para reducir el riesgo de lesiones, apague la unidad y desenchúfela antes de instalar y quitar accesorios, y antes de realizar ajustes o reparaciones. Un arranque accidental puede causar lesiones*

- Abra la palanca de bloqueo (I) sobre la base.
- Si el anillo de ajuste de profundidad (B) no está sobre el motor, atornille el anillo de ajuste de profundidad (B) en el motor hasta que el anillo está a medio camino entre la parte superior e inferior del motor, tal como se muestra. Inserte el motor en la base alineando el surco en el motor (G) con los espigos de guía (R) en la base. Deslice el motor hacia abajo hasta que el anillo de ajuste de profundidad encaje en su sitio.

**NOTA:** Los surcos de espigo de guía (G) se encuentran a cada lado del motor, por lo que se puede colocar en dos orientaciones.
- Ajuste la profundidad de corte girando el anillo de ajuste de la profundidad. Refiérase a **Para ajustar la profundidad de corte**.
- Cierre la palanca de bloqueo (I) cuando se llegue a la profundidad deseada. Para información acerca del ajuste de la profundidad de corte, refiérase a **Para ajustar la profundidad de corte**.

### Disposición: Base de penetración (Fig. 1, 10, 11)

**INSERCIÓN DEL MOTOR EN LA BASE DE PENETRACIÓN**

**¡ADVERTENCIA:** *Para reducir el riesgo de lesiones, apague la unidad y desenchúfela antes de instalar y quitar accesorios, y antes de realizar ajustes o reparaciones. Un arranque accidental puede causar lesiones*

- Retire el anillo de ajuste de la profundidad (B) del motor. No se utiliza con la base de penetración.

**NOTA:** Encaje el anillo de ajuste de profundidad en la base fija, cuando no esté en uso, para evitar su pérdida.
- Inserte el motor en la base alineando el surco en el motor (G) con los espigos de guía (R) en la base. Deslice el motor hacia abajo hasta que el motor se detenga sobre el tope del motor (AA).
- Cierre la palanca de bloqueo (I).

**PARA AJUSTAR LA PROFUNDIDAD DE REBAJADO DEL ÉMBOLO (FIG. 11)**

**¡ADVERTENCIA:** *Para reducir el riesgo de lesiones, apague la unidad y desenchúfela antes de instalar y quitar accesorios, y antes de realizar ajustes o reparaciones. Un arranque accidental puede causar lesiones*

- Desbloquee el mecanismo de penetración empujando hacia abajo la palanca de seguro de penetración (P). Haga descender la rebajadora tanto como se pueda, permitiendo que la broca toque apenas la pieza de trabajo.
- Bloquee el mecanismo de penetración liberando la palanca de seguro de penetración (P).
- Afloje la varilla de ajuste de la profundidad (O), girando el tornillo de mariposa (BB) en sentido antihorario.
- Deslice la varilla de ajuste de la profundidad (O) de tal modo que coincida con el tope de torre (N) más bajo.
- Deslice la lengüeta de ajuste de cero (EE) sobre la varilla de ajuste de la profundidad de tal modo que la parte de arriba coincida con el cero en la escala de ajuste de la profundidad (DD).
- Agarrando la parte superior y estriada de la varilla de ajuste de profundidad (O), deslicela hacia arriba de tal modo que la lengüeta (EE) se alinee con la profundidad de corte deseada en la escala de ajuste de profundidad (DD).
- Apriete el tornillo de mariposa (BB) para mantener la varilla de ajuste de la profundidad en su lugar.
- Manteniendo las dos manos en las agarraderas, desbloquee el mecanismo de penetración tirando de la palanca de seguro de penetración (P) hacia abajo. El mecanismo de penetración y el motor se moverán hacia arriba. Cuando se hace descender la rebajadora la varilla de ajuste de la profundidad llegará al tope de torre, lo que permite que la rebajadora alcance exactamente la profundidad deseada.

**USO DE LA TORRETA GIRATORIA PARA CORTES ESCALONADOS (FIG. 11)**

Si la profundidad de corte requerida es más de lo aceptable en una sola pasada, gire la torreta para que la varilla de profundidad (O) se alinee inicialmente con los topes más altos de la torre. Después de cada corte, gire la torreta de tal modo que el tope de profundidad se alinee con los postes más cortos hasta que se llegue a la profundidad final de corte.

**¡ADVERTENCIA:** *No modifique el tope de torre mientras que la rebajadora esté en funcionamiento. Esto pondrá sus manos demasiado cerca del cabezal de corte.*

**AJUSTE FINO DE LA PROFUNDIDAD DE REBAJADO (FIG. 11)**

**¡ADVERTENCIA:** *Para reducir el riesgo de lesiones, apague la unidad y desenchúfela antes de instalar y quitar accesorios, y antes de realizar ajustes o reparaciones. Un arranque accidental puede causar lesiones*

La perilla moleteada (CC) en la parte de abajo de la varilla de ajuste de la profundidad puede ser utilizada para realizar pequeños ajustes.

- Para disminuir la profundidad de corte, gire la perilla en sentido horario (mirando hacia abajo desde la parte superior de la rebajadora).
- Para aumentar la profundidad de corte, gire la perilla en sentido antihorario (mirando hacia abajo desde la parte superior de la rebajadora).

**NOTA:** Una rotación completa de perilla da como resultado en un cambio de alrededor de 1 mm (5/128 pulg. o 0,04 pulg.) en la profundidad.

**CORTE CON LA BASE DE PENETRACIÓN (FIG. 11)**

**¡ADVERTENCIA:** *Para reducir el riesgo de lesiones, apague la unidad y desenchúfela antes de instalar y quitar accesorios, y antes de realizar ajustes o reparaciones. Un arranque accidental puede causar lesiones*

**NOTA:** La profundidad de corte está bloqueada en el estado de reposo de la base de penetración. El seguro de penetración requiere la actuación del usuario para habilitar el mecanismo de penetración de “liberar para bloquear”.

- Presione la palanca de seguro de penetración (P) y haga descender la rebajadora hasta que la broca alcance la profundidad ajustada.
- Suelte la palanca de seguro de penetración (P) cuando se llegue a la profundidad deseada.

**NOTA:** Al soltar la palanca de seguro de penetración el motor queda automáticamente bloqueado en su lugar.

**NOTA:** Si es necesaria resistencia adicional utilice la mano para presionar la palanca de seguro de penetración.
- Realice el corte.
- El hundir la palanca de seguro de penetración desactivará el mecanismo de bloqueo de la broca permitiendo que la rebajadora se desengrane de la pieza de trabajo.
- Apague la rebajadora.

## Funcionamiento: Todas las bases

**DIRECCIÓN DE LA ALIMENTACIÓN (FIG. 12)**

La dirección de alimentación es muy importante al rebajar y puede marcar la diferencia entre un trabajo exitoso y arruinar un proyecto. Las figuras muestran la dirección correcta de alimentación para algunos cortes típicos. Una regla general a seguir es el mover la rebajadora en sentido antihorario en una corte exterior y en sentido horario en un corte interior.

**Para dar forma a los bordes de una pieza, siga estos pasos:**

- Dé forma al extremo rugoso, de izquierda a derecha
- Dé forma a la cara lisa moviendo de izquierda a derecha
- Corte el otro extremo rugoso
- Termine con el extremo liso que falta

**ELECCIÓN DE VELOCIDAD DE LA REBAJADORA (DWP611 Y DWP611PK Y SOLAMENTE) (FIG. 1)**

Refiérase al **Gráfico para selección de velocidad** a fin de escoger una velocidad para la rebajadora. Gire el selector de velocidad variable (C) para controlar la velocidad de la rebajadora.

**FUNCIÓN DE ARRANQUE PROGRESIVO (TODOS LOS MODELOS)**

Las rebajadoras compactas están equipadas con dispositivos electrónicos para proporcionar una función de arranque progresivo que minimiza el par de arranque del motor.

**CONTROL DE VELOCIDAD VARIABLE (TODAS LAS UNIDADES) (FIG. 1)**

Esta rebajadora está equipada con un selector de velocidad variable (C) con un número infinito de velocidades entre 16 000 y 27 000 RPM. Ajuste la velocidad girando el selector de velocidad variable (C).

**AVISO:** *En la operación a velocidad baja y media, el control de velocidad evita que disminuya la velocidad del motor. Si usted espera oír un cambio de velocidad y continúa cargando el motor, puede dañar el motor por sobrecalentamiento. Reduzca la profundidad de corte y/o disminuya el ritmo de alimentación para evitar daños a la herramienta.*

Las rebajadoras compactas están equipadas con dispositivos electrónicos para vigilar y mantener la velocidad de la herramienta durante el corte.

GRÁFICO PARA SELECCIÓN DE VELOCIDAD		
AJUSTE DEL SELECTOR	RPM APPROX.	APLICACIÓN
1	16 000	
2	18 200	Brocas y cuchillas de gran diámetro
3	20 400	
4	22 600	
5	24 800	Brocas y cuchillas de pequeño diámetro Maderas blandas, plásticos, laminados.
6	27 000	

**NOTA:** Hacer varias pasadas suaves en lugar de una sola pasada fuerte para lograr un trabajo de mejor calidad.

## Solución de problemas

Para obtener ayuda con su herramienta, visite nuestro sitio Web en www.dewalt.com o llame al 1-800-4-DeWALT (1-800-433-9258).

## MANTENIMIENTO

**¡ADVERTENCIA:** *Para reducir el riesgo de lesiones, apague la unidad y desconéctela de la fuente de alimentación antes de instalar o retirar accesorios, ajustar o cambiar configuraciones o realizar reparaciones. Un arranque accidental podría causar lesiones.*

## Limpieza

**¡ADVERTENCIA:** *Sople la suciedad y el polvo de todos los conductos de ventilación con aire seco, al menos una vez por semana. Para reducir el riesgo de lesiones, utilice siempre protección para los ojos aprobada ANSI Z87.1 al realizar esta tarea.*

**¡ADVERTENCIA:** *Nunca utilice solventes ni otros químicos abrasivos para limpiar las piezas no metálicas de la herramienta. Estos productos químicos pueden debilitar los materiales plásticos utilizados en estas piezas. Utilice un paño humedecido sólo con agua y jabón neutro. Nunca permita que penetre líquido dentro de la herramienta ni sumerja ninguna de las piezas en un líquido.*

## Falla en el encendido

Si la herramienta no enciende, verifique que las patas del enchufe del cable hagan buen contacto en el tomacorriente. Además, revise que no haya fusibles quemados o interruptores automáticos de circuito abierto en la línea.

## Lubricación

Esta herramienta ha sido aceiteada con una cantidad suficiente de lubricante de alto grado para extender la vida de la unidad en condiciones normales de funcionamiento. No se requiere lubricación adicional.

## Inspección de escobillas

Para su seguridad y protección eléctrica continuas, la inspección y el reemplazo de escobillas en esta herramienta deberán realizarse solamente por parte de un centro de servicio de fábrica DeWALT, un centro de servicio autorizado DeWALT u otro personal de servicio calificado.

Después de aproximadamente 100 horas de uso, lleve o envíe su herramienta a su centro de servicio de fábrica DeWALT o centro de servicio autorizado DeWALT más cercano, para que sea limpiada e inspeccionada completamente. Haga que reemplacen las piezas desgastadas y que lubriquen con lubricante nuevo. Haga que instalen nuevas escobillas y compruebe el desempeño de la herramienta.

Cualquier pérdida de potencia antes de la inspección de mantenimiento arriba mencionada puede indicar la necesidad del mantenimiento inmediato para su herramienta. **NO CONTINÚE OPERANDO LA HERRAMIENTA EN ESTAS CONDICIONES.** Si el voltaje para operación está correcto, devuelva su herramienta a la estación de servicio para conseguir mantenimiento inmediato.

## Para encerrar el motor y la base

Para mantener un funcionamiento suave al mover la unidad de motor en relación con la base, la parte exterior de la unidad de motor y el interior de la base pueden ser enceradas utilizando cualquier pasta de cera o cera líquida estándar. Por instrucciones del fabricante, frote la cera sobre el diámetro exterior de la unidad de motor y el diámetro interior de la base. Deje secar la cera y pula el residuo con un paño suave.

## Reparaciones

Para asegurar la SEGURIDAD y la CONFIABILIDAD del producto, las reparaciones, el mantenimiento y los ajustes deben (inclusive inspección y cambio de carbones) ser realizados en un centro de mantenimiento en la fábrica DeWALT, en un centro de mantenimiento autorizado DeWALT u por otro personal de mantenimiento calificado. Utilice siempre piezas de repuesto idénticas.

## Accesorios

**¡ADVERTENCIA:** *Debido a que no se han probado con este producto otros accesorios que no sean los que ofrece DeWALT, el uso de dichos accesorios con esta herramienta podría ser peligroso. Para reducir el riesgo de lesiones, con este producto deben usarse sólo los accesorios recomendados por DeWALT.*

Los accesorios que se recomiendan para utilizar con la herramienta están disponibles a un costo adicional en su distribuidor local o en un centro de mantenimiento autorizado. Si necesita ayuda para localizar algún accesorio, póngase en contacto con DeWALT Industrial Tool Co., 701 East Joppa Road, Baltimore, MD 21286, llame al 1-800-4-DeWALT (1-800-433-9258) o visite nuestro sitio web www.dewalt.com.

<b>PARA REPARACIÓN Y SERVICIO DE SUS HERRAMIENTAS ELÉCTRICAS, FAVOR DE DIRIGIRSE AL CENTRO DE SERVICIO MÁS CERCANO</b>	
<b>CULIACAN, SIN</b> Blvd.Emiliano Zapata 5400-1 Poniente Col. San Rafael	(667) 717 89 99
<b>GUADALAJARA, JAL</b> Av. La Paz #1779 - Col. Americana Sector Juárez	(33) 3825 6978
<b>MEXICO, D.F.</b> Eje Central Lázaro Cárdenas No. 18 Local D, Col. Obrera	(55) 5588 9377
<b>MERIDA, YUC</b> Calle 63 #459-A - Col. Centro	(999) 928 5038
<b>MONTERREY, N.L.</b> Av. Francisco I. Madero 831 Poniente - Col. Centro	(818) 375 23 13
<b>PUEBLA, PUE</b> 17 Norte #205 - Col. Centro	(222) 246 3714
<b>QUERETARO, QRO</b> Av. San Roque 274 - Col. San Gregorio	(442) 2 17 63 14
<b>SAN LUIS POTOSI, SLP</b> Av. Universidad 1525 - Col. San Luis	(444) 814 2383
<b>TORREON, COAH</b> Blvd. Independencia, 96 Pte. - Col. Centro	(871) 716 5265
<b>VERACRUZ, VER</b> Prolongación Díaz Mirón #4280 - Col. Remes	(229) 921 7016
<b>VILLAHERMOSA, TAB</b> Constitución 516-A - Col. Centro	(993) 312 5111

**PARA OTRAS LOCALIDADES:**

**Si se encuentra en México, por favor llame al (55) 5326 7100**

**Si se encuentra en U.S., por favor llame al 1-800-433-9258 (1-800 4-DeWALT)**

## Póliza de Garantía

IDENTIFICACIÓN DEL PRODUCTO:

Sello o firma del Distribuidor.

Nombre del producto: \_\_\_\_\_ Mod./Cat.: \_\_\_\_\_

Marca: \_\_\_\_\_ Núm. de serie: \_\_\_\_\_

(Datos para ser llenados por el distribuidor)

Fecha de compra y/o entrega del producto: \_\_\_\_\_

Nombre y domicilio del distribuidor donde se adquirió el producto: \_\_\_\_\_

Este producto está garantizado por un año a partir de la fecha de entrega, contra cualquier defecto en su funcionamiento, así como en materiales y mano de obra empleados para su fabricación. Nuestra garantía incluye la reparación o reposición del producto y/o componentes sin cargo alguno para el cliente, incluyendo mano de obra, así como los gastos de transportación razonablemente erogados derivados del cumplimiento de este certificado.

Para hacer efectiva esta garantía deberá presentar su herramienta y esta póliza sellada por el establecimiento comercial donde se adquirió el producto, de no contar con ésta, bastará la factura de compra.

**EXCEPCIONES**

Esta garantía no será válida en los siguientes casos:

- Cuando el producto se hubiese utilizado en condiciones distintas a las normales;
- Cuando el producto no hubiese sido operado de acuerdo con el instructivo de uso que se acompaña;
- Cuando el producto hubiese sido alterado o reparado por personas distintas a las enlistadas al final de este certificado.

Anexo encontrará una relación de sucursales de servicio de fábrica, centros de servicio autorizados y franquiciados en la República Mexicana, donde podrá hacer efectiva su garantía y adquirir partes, refacciones y accesorios originales.

## Garantía limitada de tres años

DeWALT reparará sin cargo cualquier defecto ocasionado por materiales defectuosos o mano de obra, durante tres años a partir de la fecha de compra. Esta garantía no cubre fallas en las piezas que resulten del desgaste normal de la herramienta o de su utilización inadecuada. Para obtener información detallada sobre la cobertura de la garantía y sobre reparaciones, visite nuestra página Web www.dewalt.com o llame al 1-800-4-DeWALT (1-800-433-9258). Esta garantía no se extiende a los accesorios o a los daños causados por terceros al intentar realizar reparaciones. Esta garantía le concede derechos legales específicos; usted goza también de otros derechos que varían según el estado o provincia.

Además de la garantía, las herramientas DeWALT están cubiertas por nuestro:

**SERVICIO GRATUITO DE 1 AÑO**

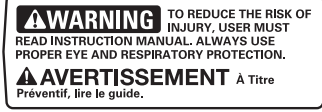
DeWALT realizará el mantenimiento de la herramienta y reemplazará las piezas gastadas tras el uso normal, sin costo alguno, en cualquier momento durante el primer año después de la compra.

**GARANTÍA DE REEMBOLSO DE DINERO DE 90 DÍAS**

Si por alguna razón no estuviera plenamente satisfecho con el rendimiento de la herramienta eléctrica, el láser o la clavadora DeWALT, puede devolver el producto dentro de los 90 días siguientes a la fecha de compra acompañado del recibo de compra. De esta manera, se le reintegrará el importe total del producto sin formularle pregunta alguna.

**AMÉRICA LATINA:** Esta garantía no se aplica a los productos que se venden en América Latina. Para los productos que se venden en América Latina, debe consultar la información de la garantía específica del país que viene en el empaque, llamar a la compañía local o visitar el sitio Web a fin de obtener esa información.

**REEMPLAZO GRATUITO DE LAS ETIQUETAS DE ADVERTENCIA:** si sus etiquetas de advertencia se tornan ilegibles o faltan, llame al 1-800-4-DeWALT (1-800-433-9258) para que se las reemplacen gratuitamente.



<b>¡ADVERTENCIA</b> PARA EL MANEJO MANUAL DE INSTRUCCIONES. SIEMPRE LEA EL MANUAL DE INSTRUCCIONES. SIEMPRE SE DEBERÁ LLEVAR LA PROTECCIÓN APROPIADA PARA LA VISTA Y PARA LAS VÍAS RESPIRATORIAS.	<b>¡ADVERTENCIA</b> PARA EL MANEJO MANUAL DE INSTRUCCIONES. SIEMPRE LEA EL MANUAL DE INSTRUCCIONES. SIEMPRE SE DEBERÁ LLEVAR LA PROTECCIÓN APROPIADA PARA LA VISTA Y PARA LAS VÍAS RESPIRATORIAS.
<b>¡AVERTISSEMENT</b> À TITRE PRÉVENTIF, LIRE LE GUIDE. IL FAUT TOUJOURS PORTER DE L'ÉQUIPEMENT DE PROTECTION OCULAIRE ET RESPIRATOIRE APPROPRIÉ.	<b>¡AVERTISSEMENT</b> À TITRE PRÉVENTIF, LIRE LE GUIDE. IL FAUT TOUJOURS PORTER DE L'ÉQUIPEMENT DE PROTECTION OCULAIRE ET RESPIRATOIRE APPROPRIÉ.

### ESPECIFICACIONES

	<b>DWP610</b>	<b>DWP611</b>
Tensión de alimentación:	120 V AC (~)	120 V AC (~)
Consumo de corriente:	7 A	7 A
Frecuencia de alimentación:	50/60 Hz	50/60 Hz
Potencia nominal:	756 W	756 W
Rotación sin carga:	27 000/min	16 000–27 000/min

SOLAMENTE PARA PROPÓSITO DE MÉXICO: IMPORTADO POR: DeWALT S.A. DE C.V. BOSQUES DE CIDROS, ACCESO RADIATAS NO.42 3A. SECCIÓN DE BOSQUES DE LAS LOMAS DELEGACIÓN CUAJIMALPA, 05120, MÉXICO, D.F. TEL. (52) 555-326-7100 R.F.C.: BDE810626-1W7	<b>Para servicio y ventas consulte "HERRAMIENTAS ELÉCTRICAS" en la sección amarilla.</b>	
---	--	--