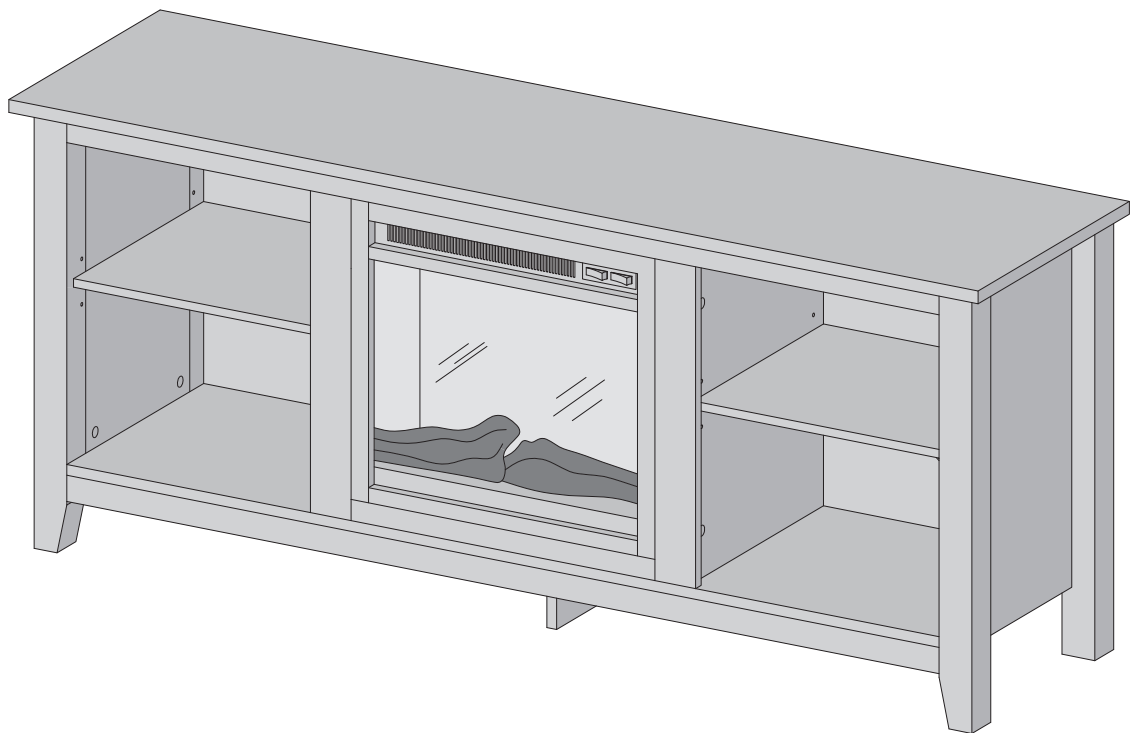




ITEM # : W58FP18  
Assembly Instructions

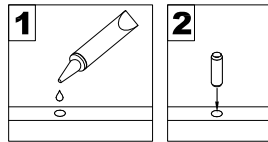


*Please visit our website for the most current instructions, assembly tips, report damage, or request parts. [www.walkeredison.com](http://www.walkeredison.com)*

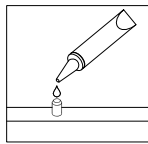
Revised 03/2017

# General Assembly Guidelines

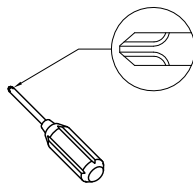
- I. Ensure that all parts and hardware are available before beginning assembly.
- II. Follow each step carefully to ensure the proper assembly of this product.
- III. Two people are recommended for ease in the assembly of this product.
- IV. The three main types of hardware used to assemble this product are : wood dowels , screws and bolts.
- V. The provided glue is to secure wood dowels in place . When first inserting dowels , locate the appropriate hole for the dowel , place a small amount of glue in the hole and insert the dowel . Wipe away excess glue immediately.



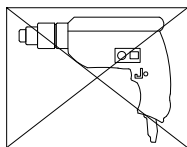
In future assembly steps when dowels are necessary to attach assembly parts together , place a small amount of glue on the end of the dowel before attaching parts together . Wipe away excess glue immediately.



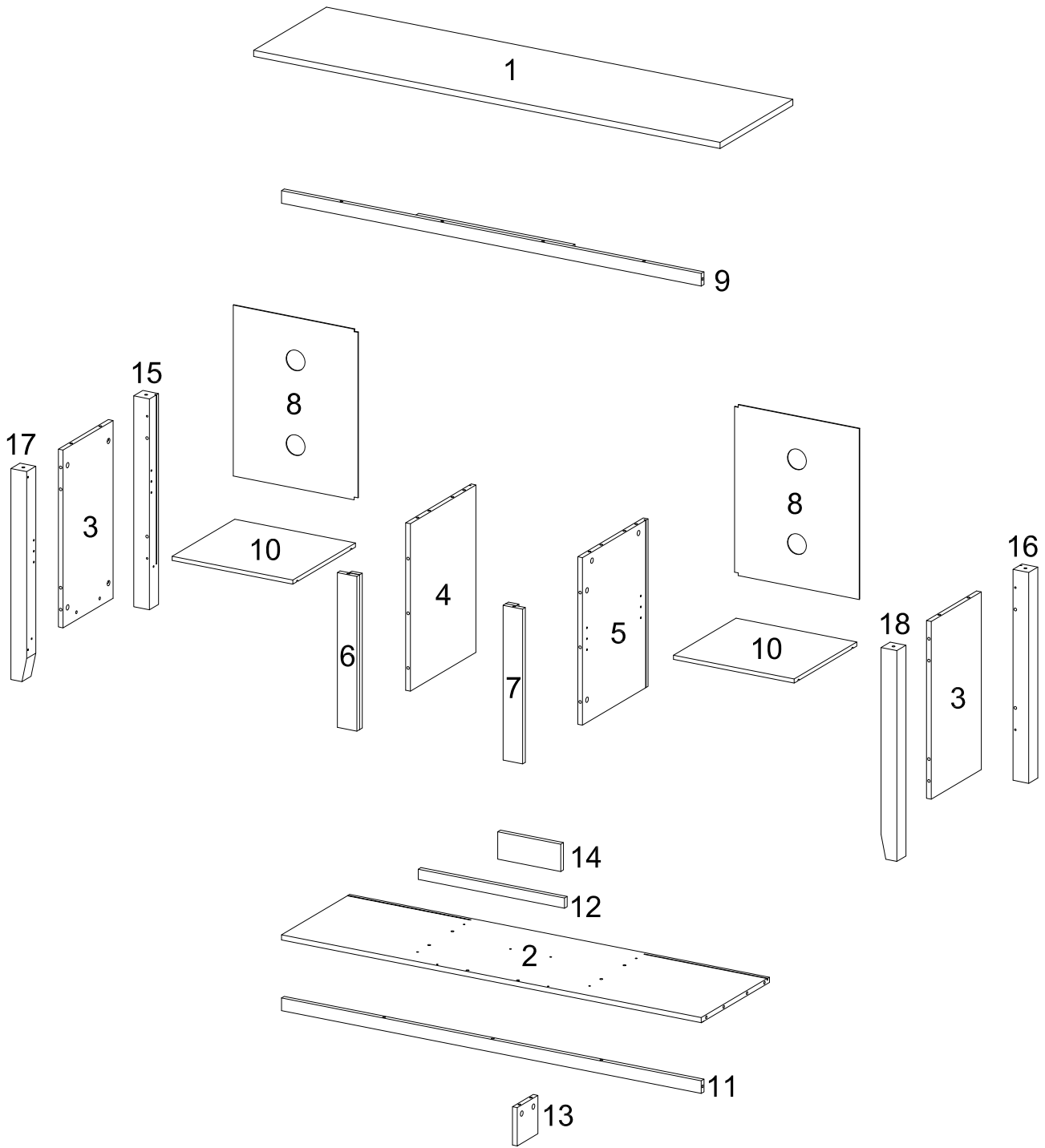
- VI. A Phillips head screwdriver is required for the assembly of this product .




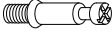

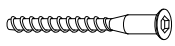
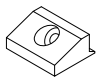
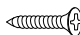


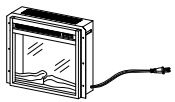
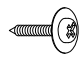
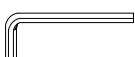


- VII. Power tools should not be used to assemble this product .

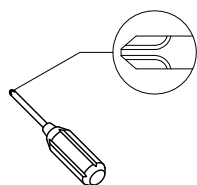


# Parts List



# Hardware List

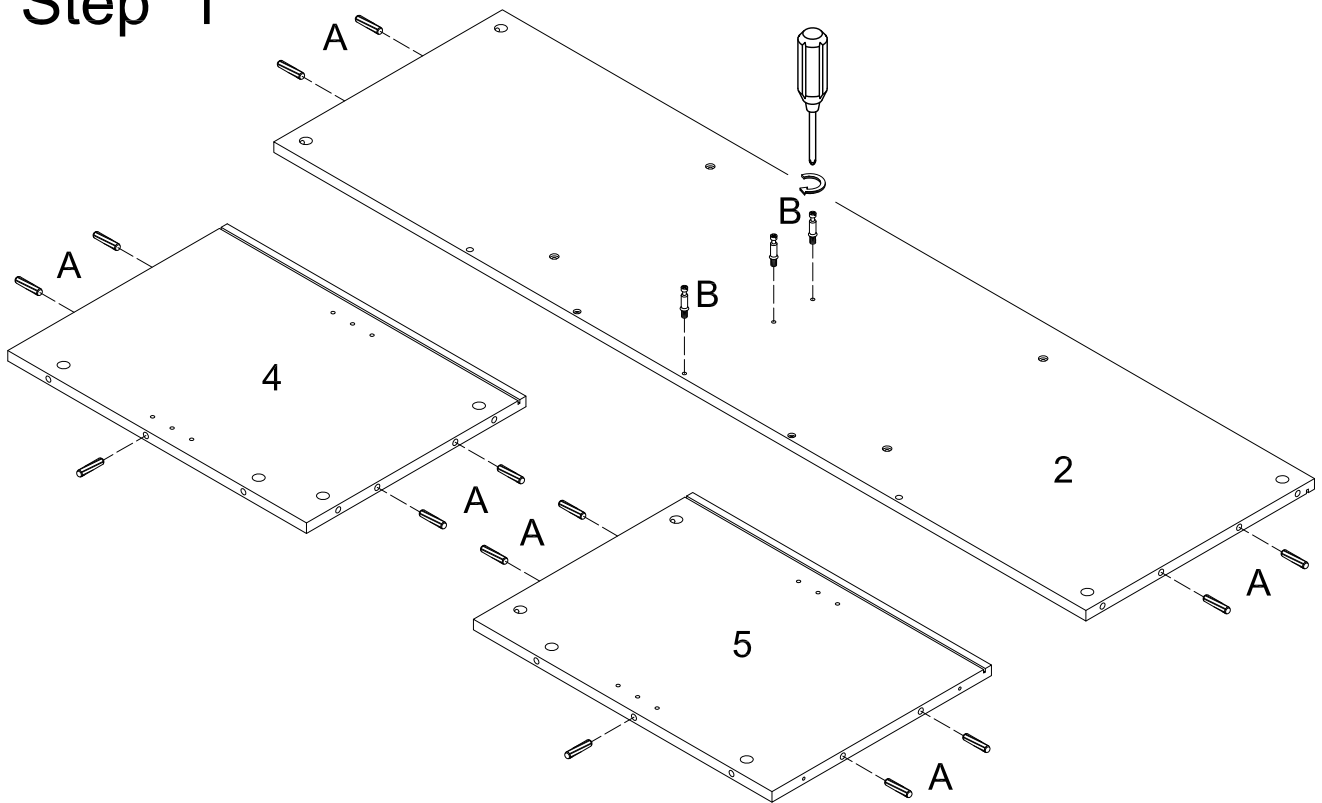
A		Ø8x30	Wooden dowel	34 pcs
B		Ø6x35	Cam bolt	35 pcs
C		Ø15x11	Cam lock	35 pcs
D		Ø6x50	Bolt	4 pcs
E			Plastic wedge	8 pcs
F		Ø3x17	Flat-head screw	8 pcs
G		Ø5x16	Shelf support pin	8 pcs
H		Ø4x31	Screw	2 pcs
J			Fireplace Insert (F18V66L)	1 pc
K		Ø3x12	Screw	6 pcs
L		M4	Wrench	1 pc
M			Glue tube	1 pc
N		Ø30	Sticker	35 pcs



Philips head screwdriver required for assembly  
(not included)

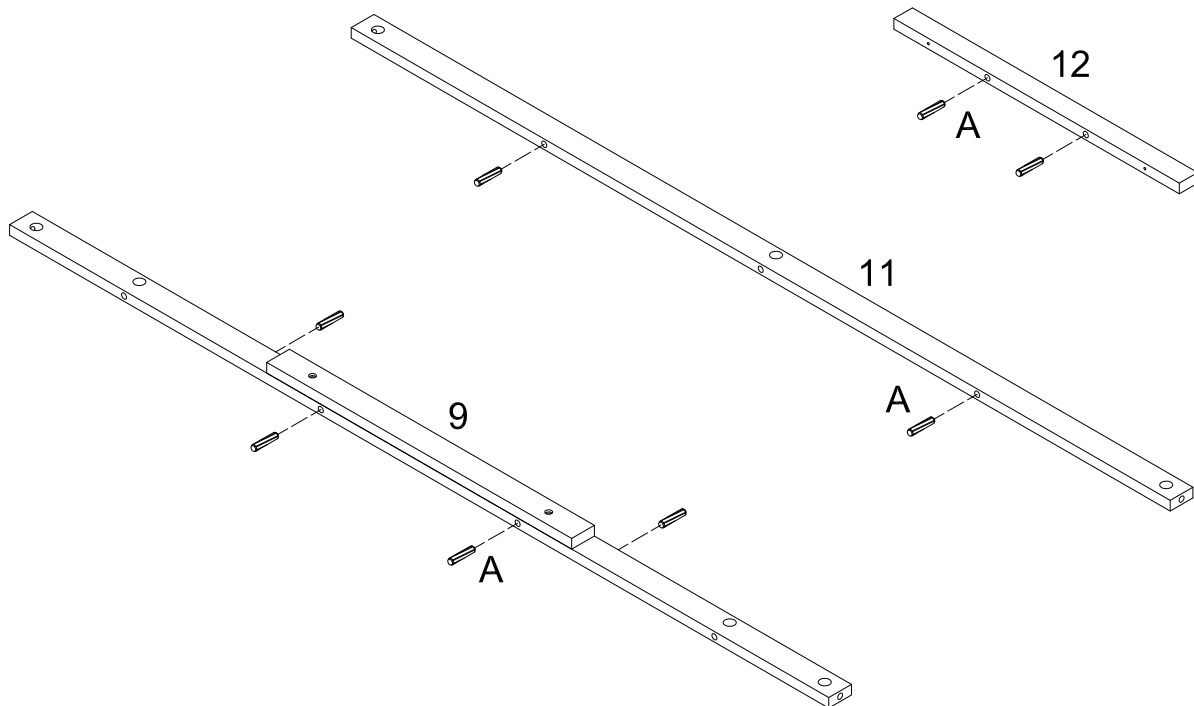
*The hardware quantities listed above are required for proper assembly.  
Some extra hardware may also have been included.*

# Step 1



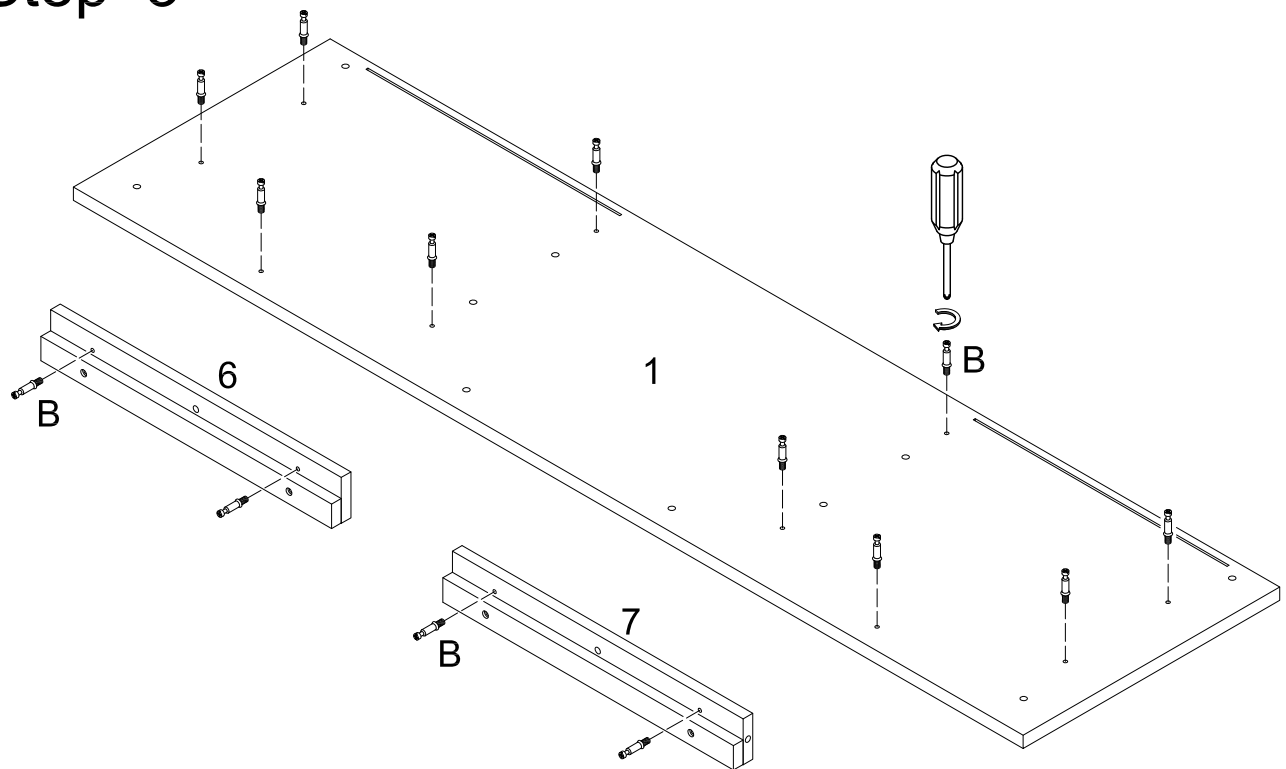
Insert the wooden dowel (A) into the bottom panel (2) and side panel (4)(5).  
Insert the cam bolt (B) into the bottom panel (2).

# Step 2



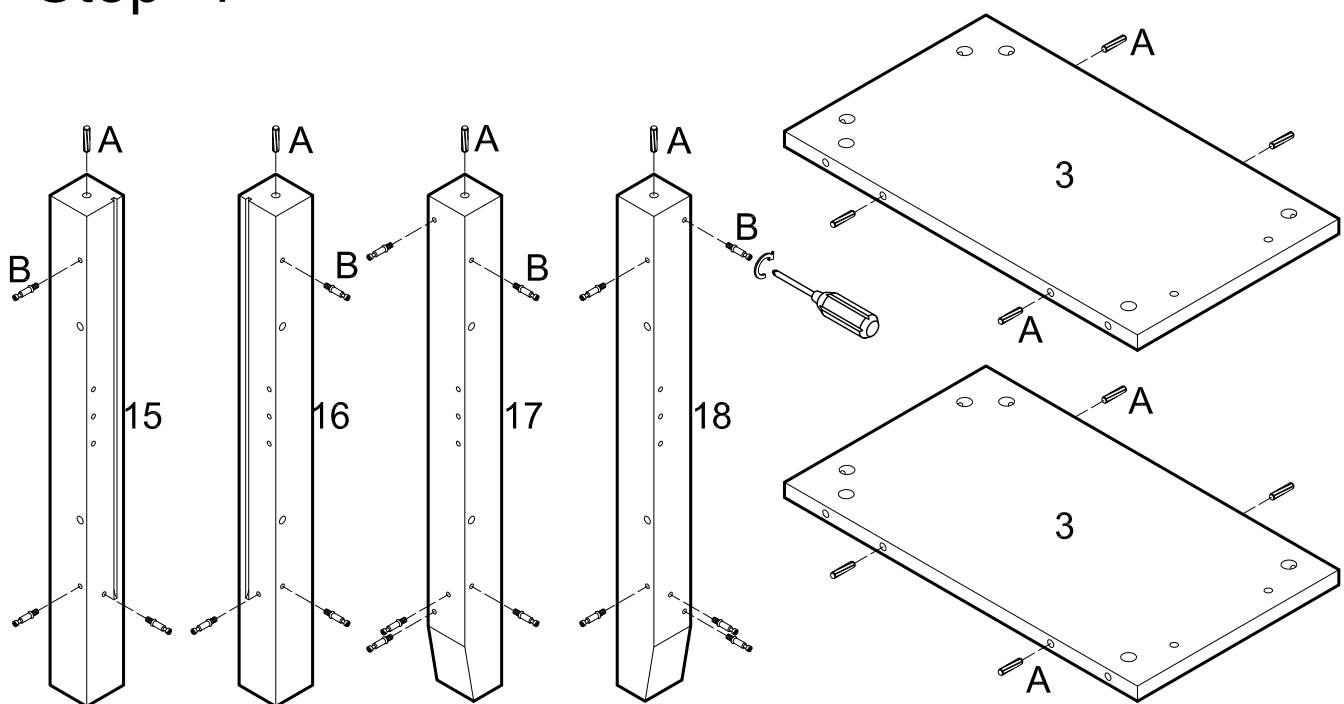
Insert the wooden dowel (A) into the front panel (9,11,12).

## Step 3



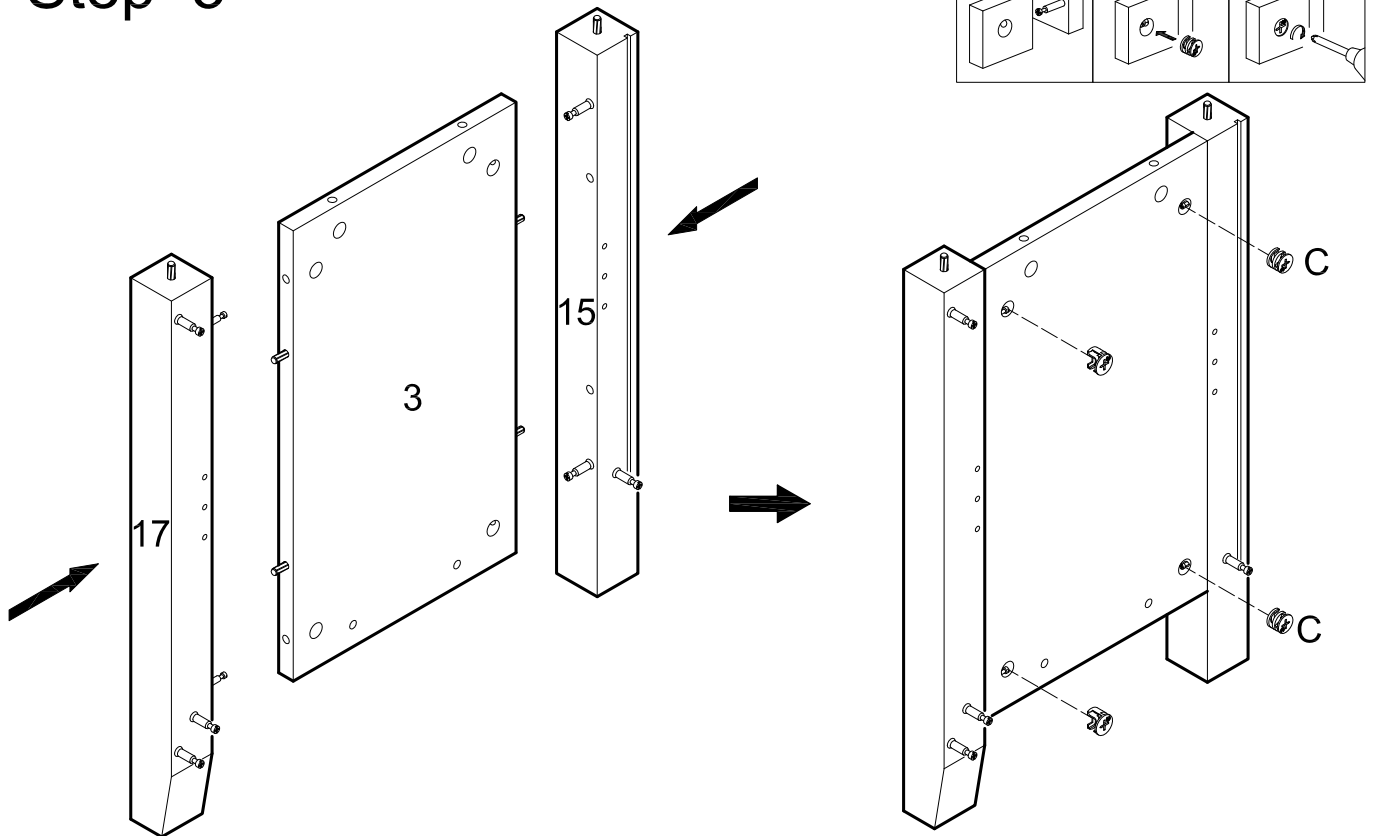
Insert the cam bolt (B) into the top panel (1) and support Front Panel (6,7) .

## Step 4



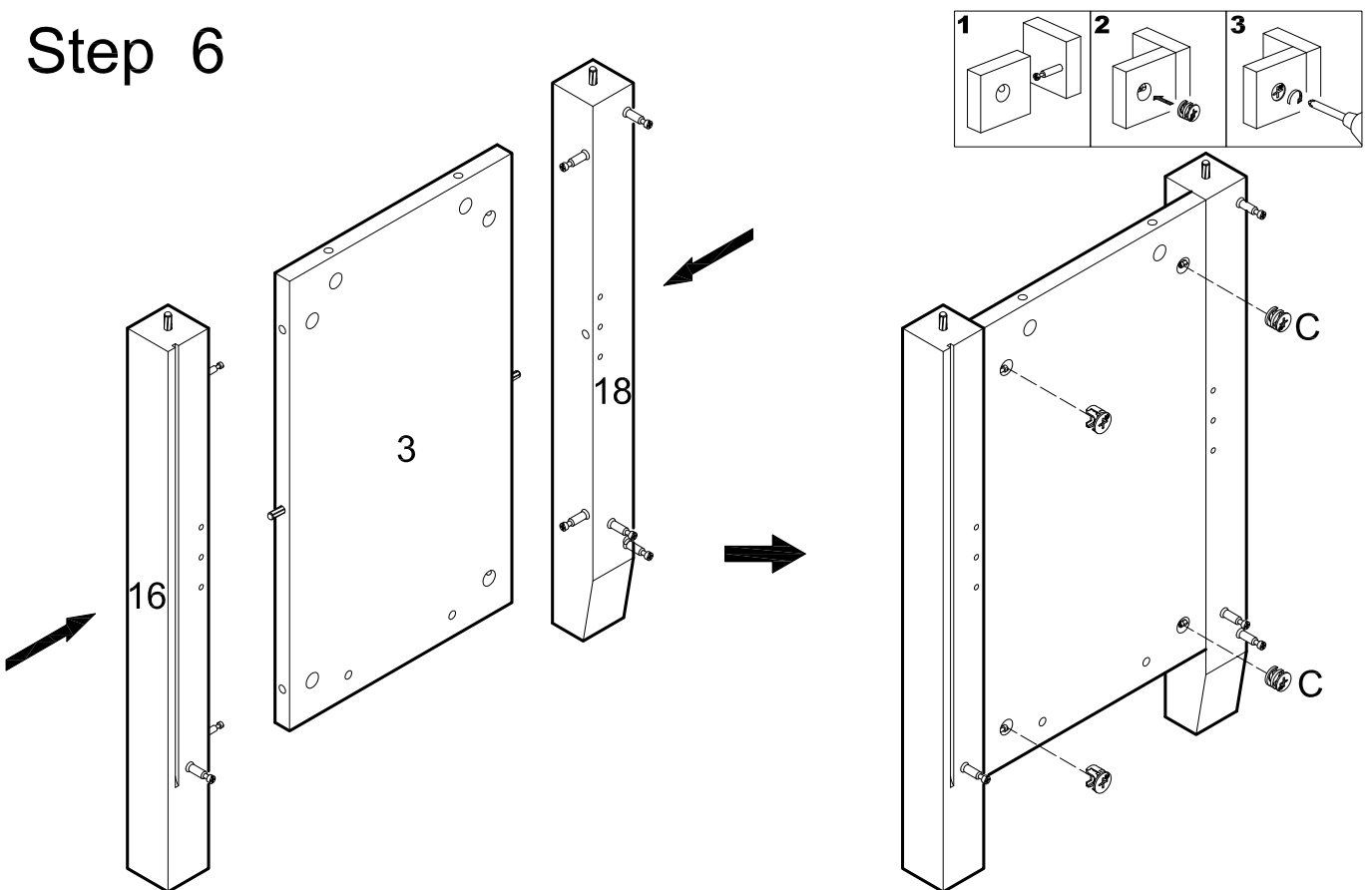
Insert the wooden dowel (A), cam bolt (B) into the wooden legs (15,16,17,18).  
Insert the wooden dowel (A) into the side panel (3).

# Step 5



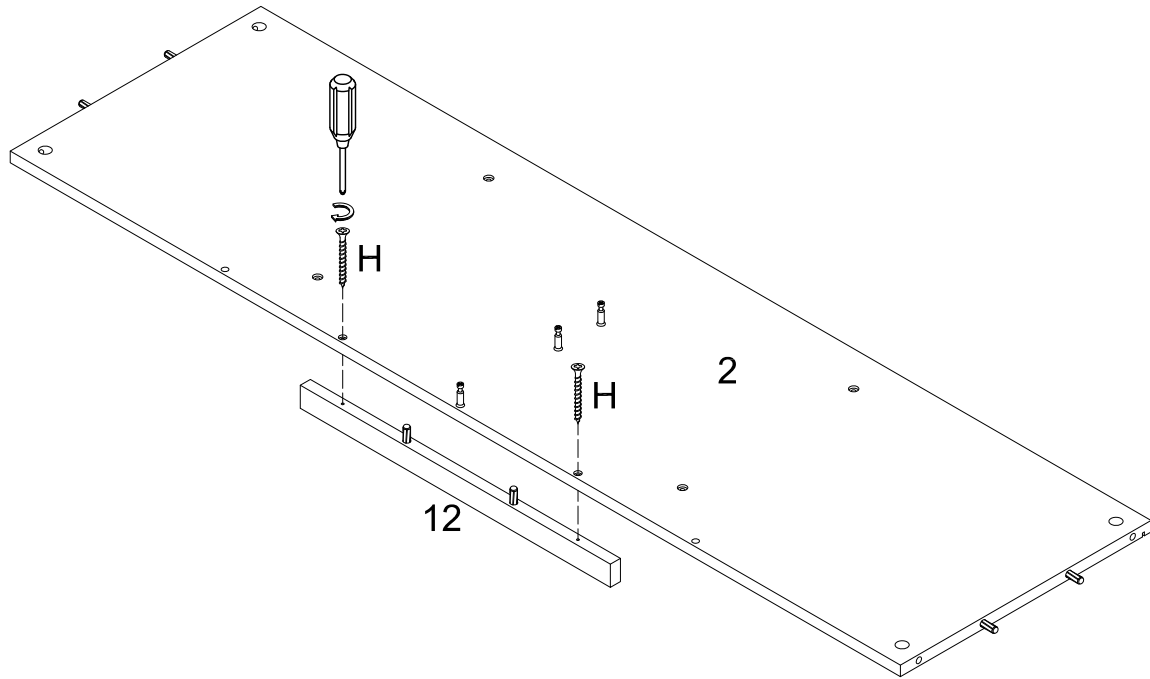
Use cam lock (C) to assemble the wooden legs (15,17) to the side panel (3).

# Step 6



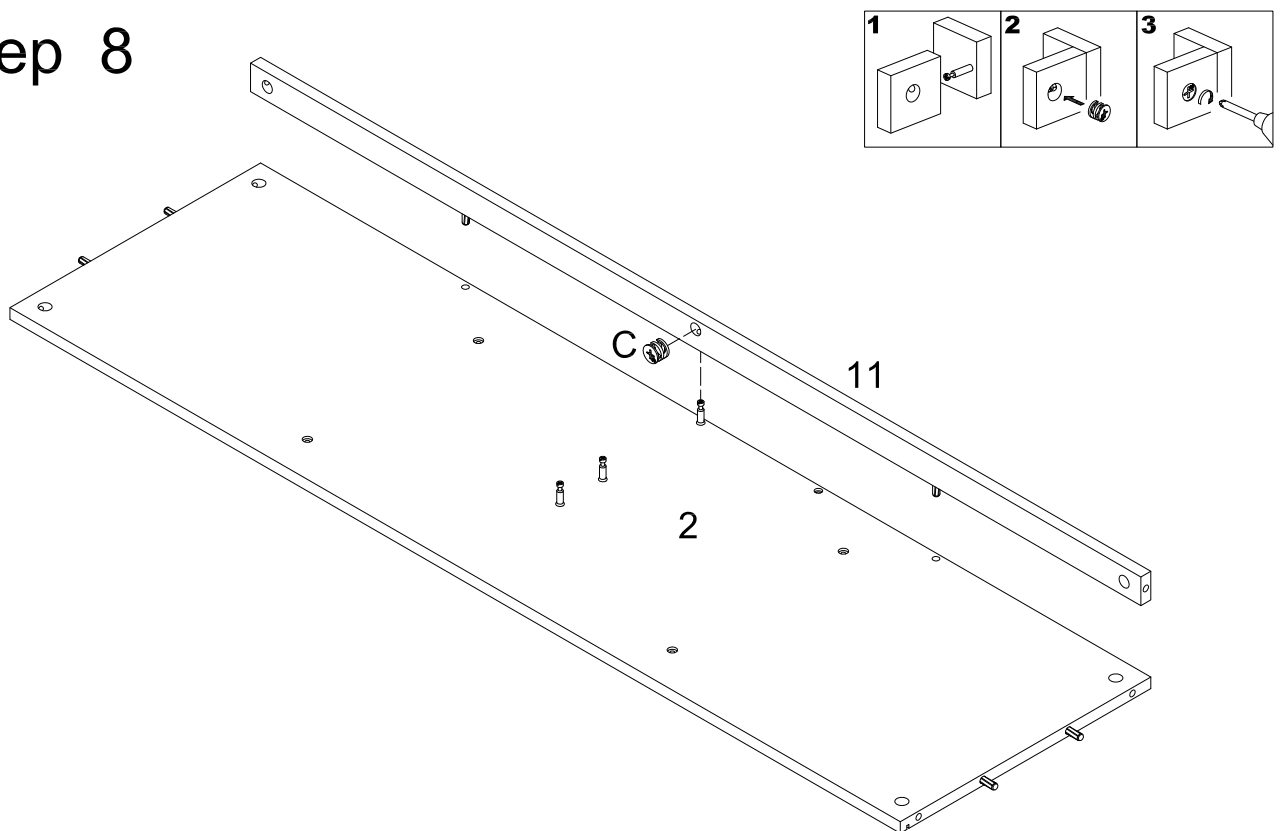
Repeat step #5 for wooden legs (16,18).

## Step 7



Upside down the bottom panel (2) and assemble the front panel (12) with screw (H).

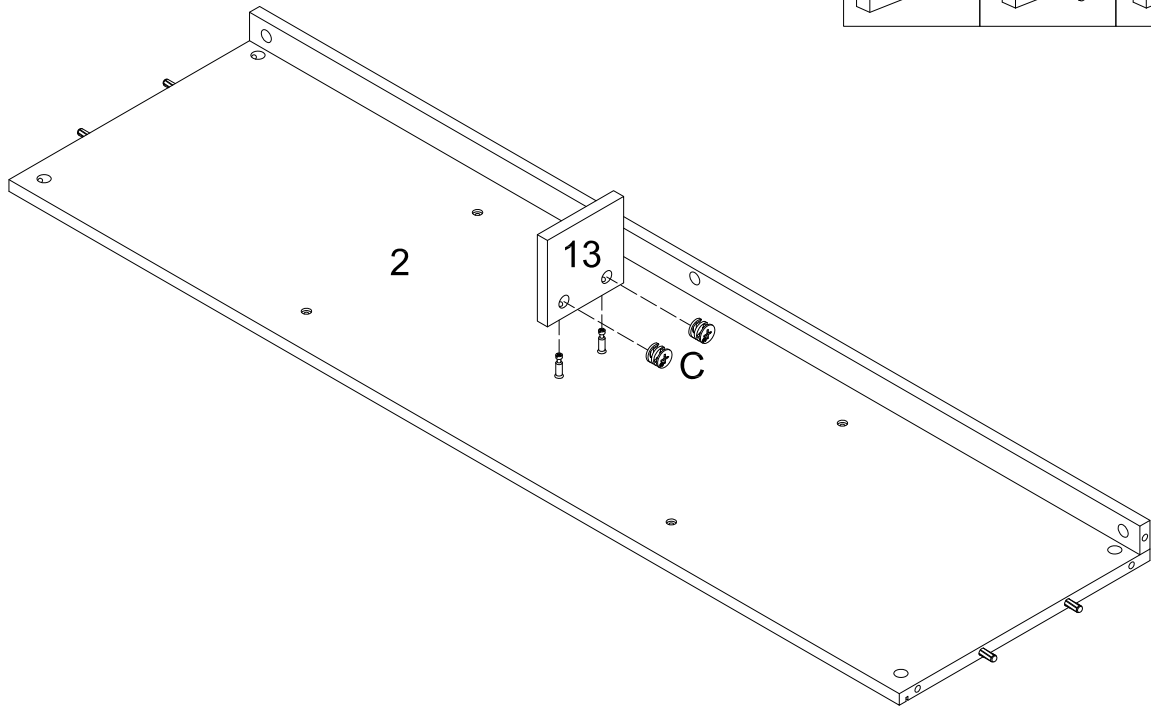
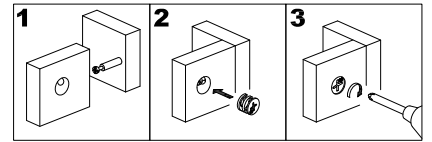
## Step 8



Use cam lock (C) to assemble the front panel (11) to the bottom panel (2).

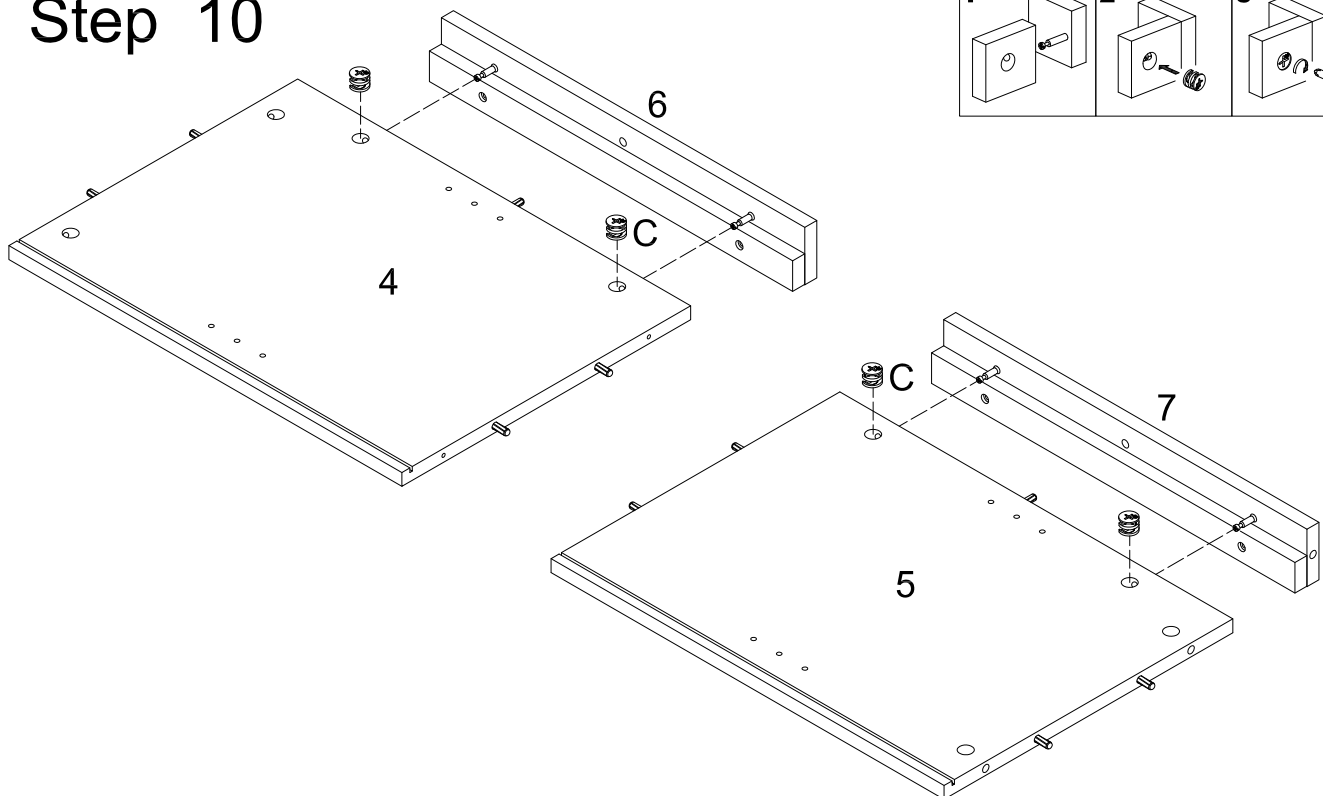
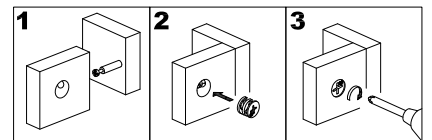


# Step 9



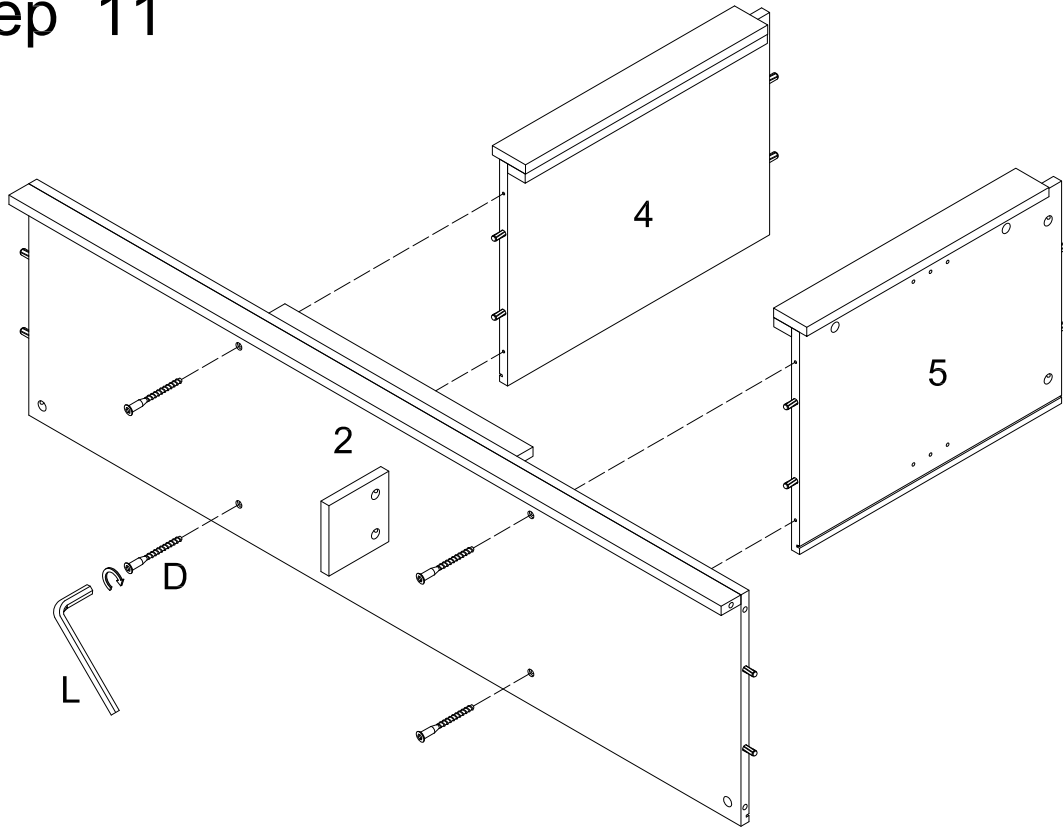
Use cam lock (C) to assemble the support panel (13) to the bottom panel (2).

# Step 10



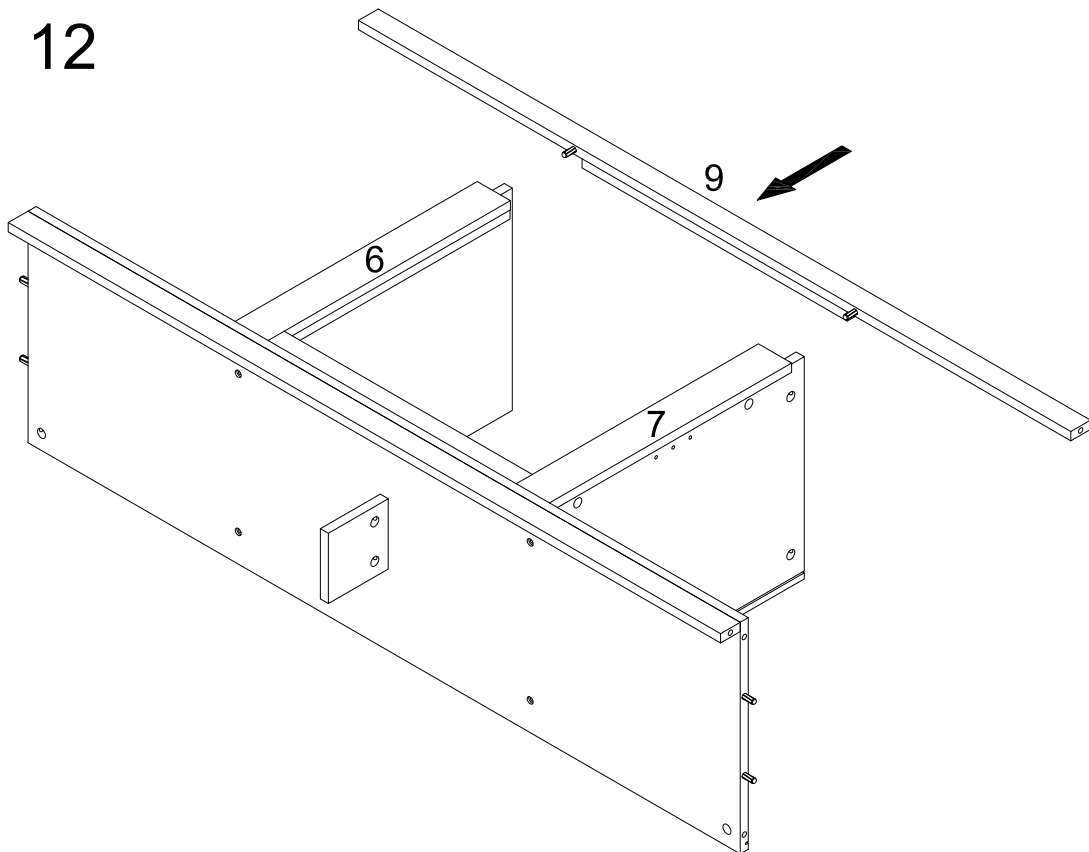
Use cam lock (C) to assemble the front panel (6,7) to the side panel (4,5).

## Step 11



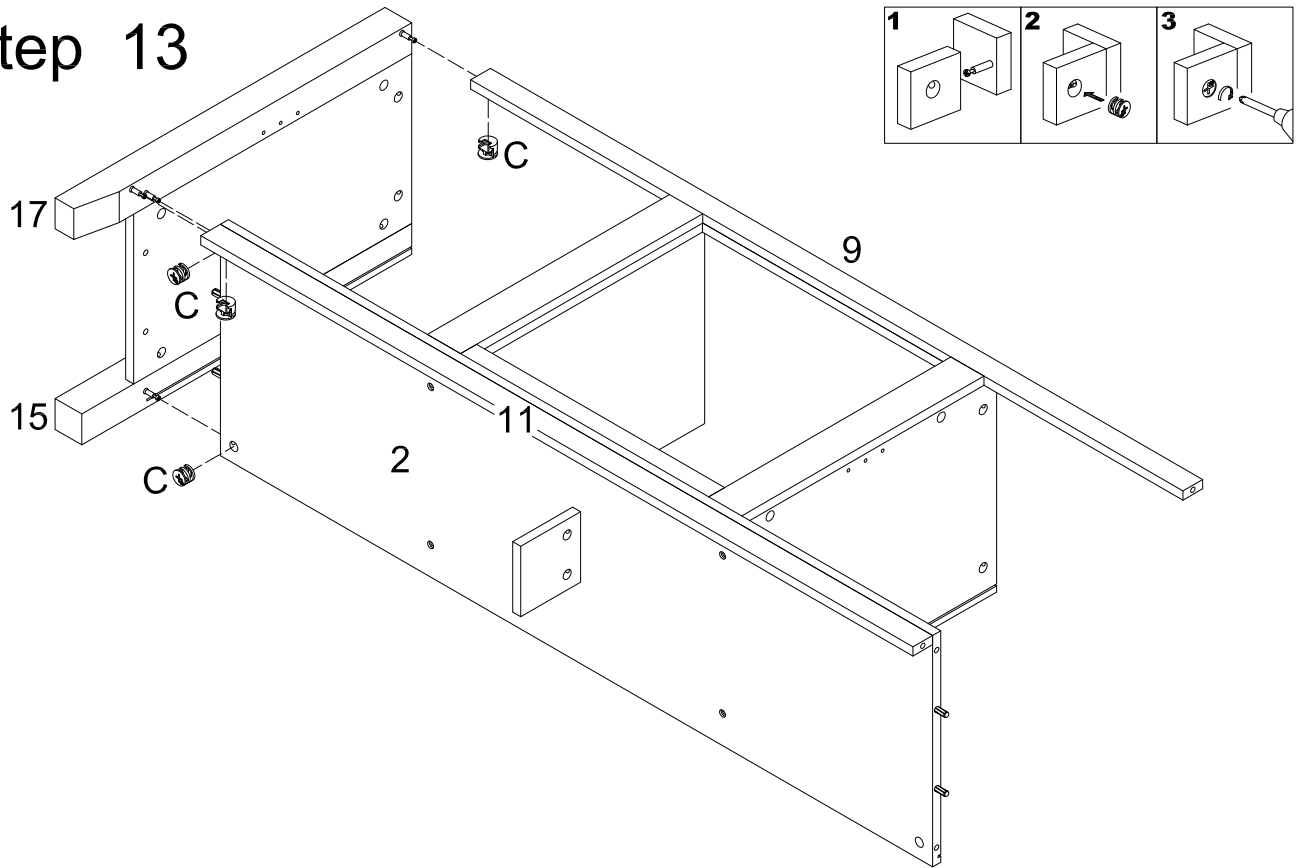
Assemble the side panel (4,5) to the bottom panel (2) and secure it by bolt (D) and wrench (L).

## Step 12



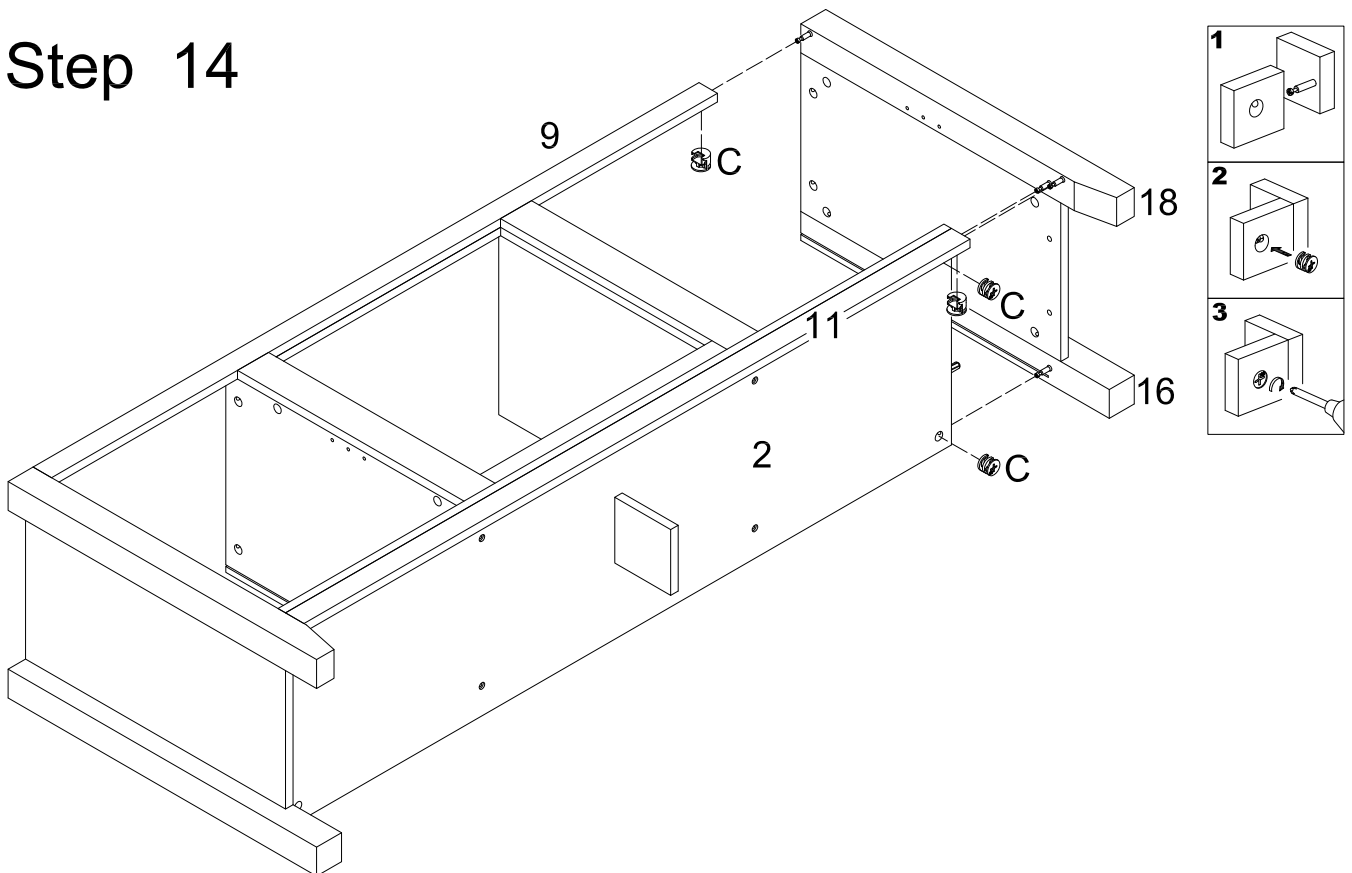
Insert the front panel (9) to the front panel (6,7).

## Step 13



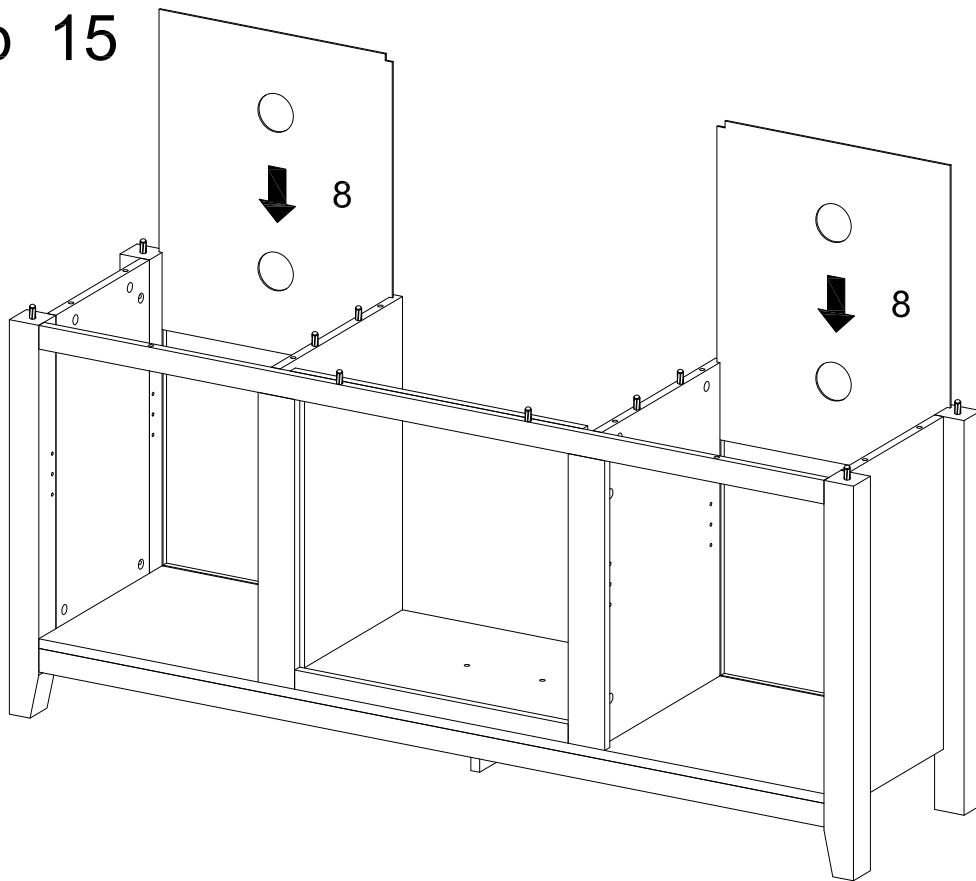
Assemble the wooden leg (15,17) to the front & bottom panel (2,9,11) and secure it with cam lock (C).

## Step 14



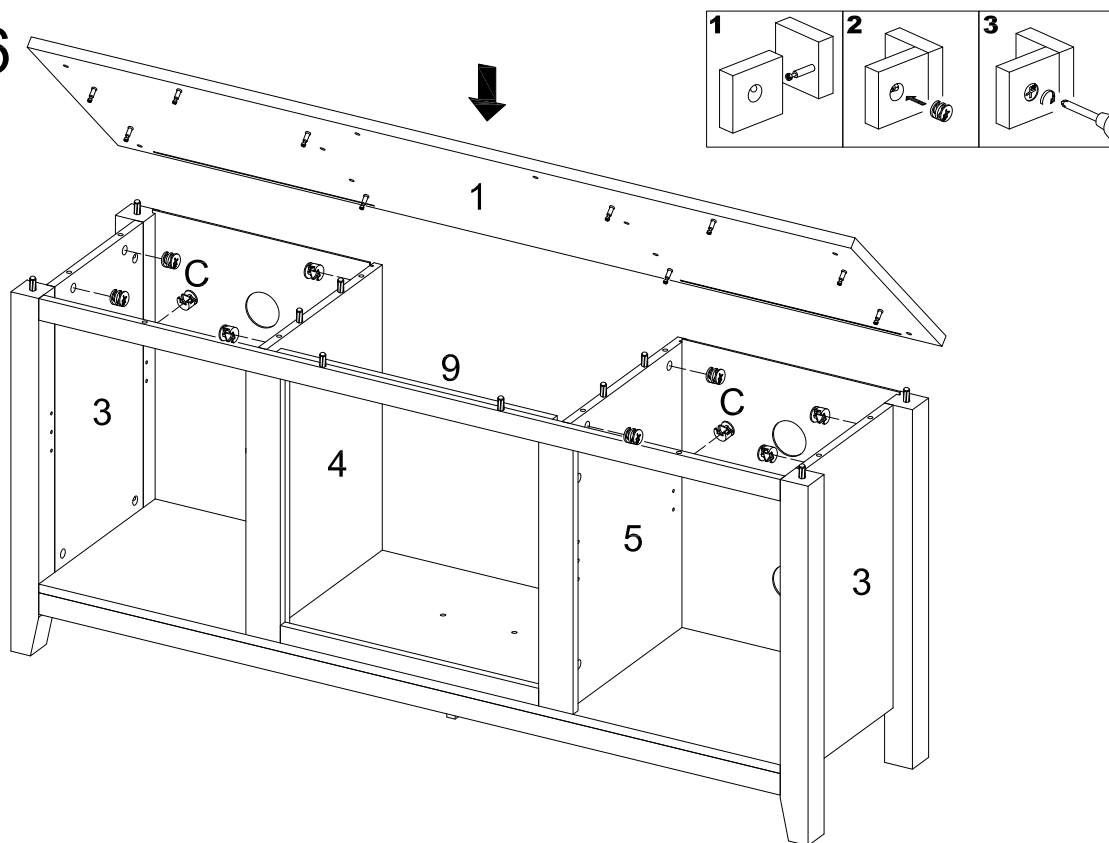
Repeat step #13 for wooden leg (16,18).

## Step 15



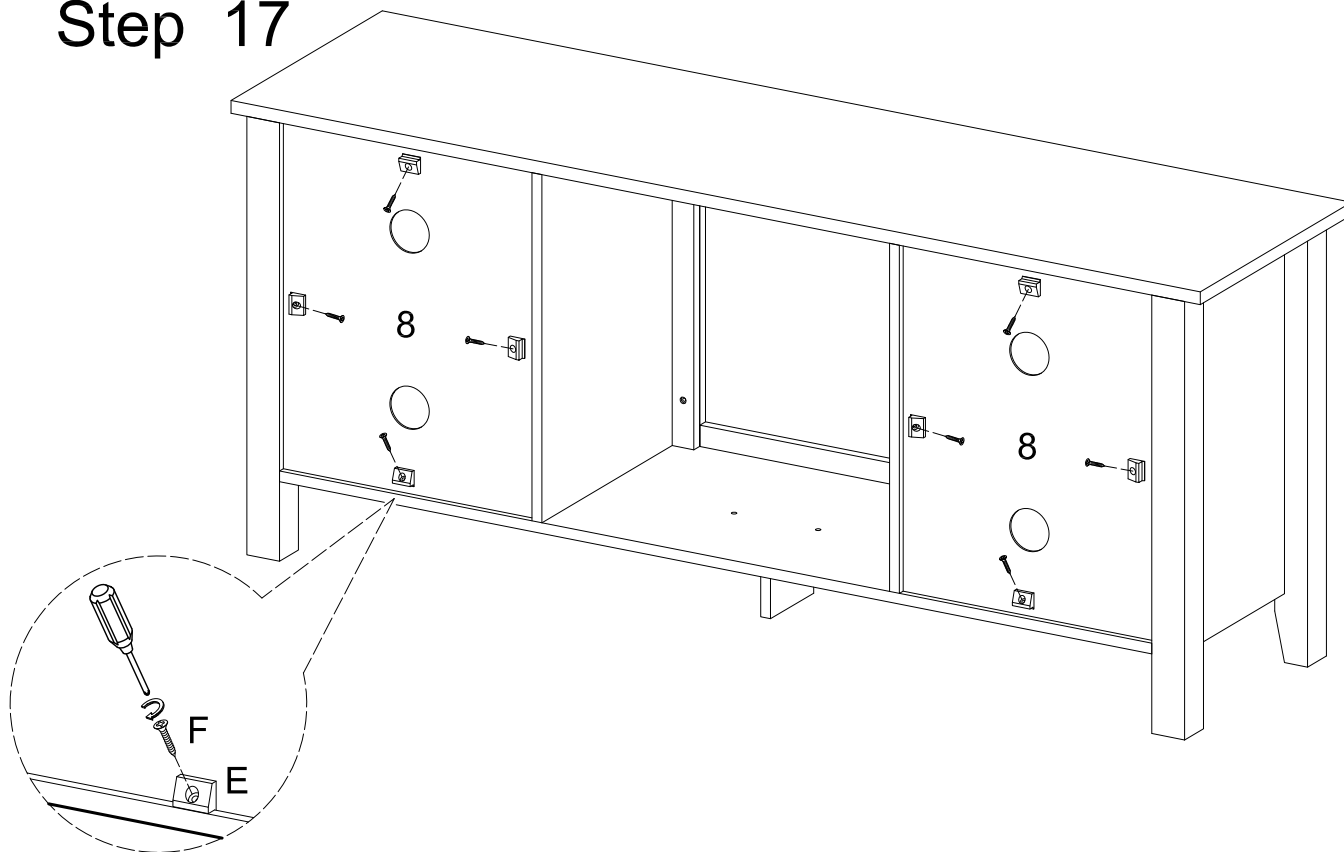
Right up the stand and slot in the back panel (8) to the side panels. Please pay attention on the corner direction of the back panel.

## Step 16



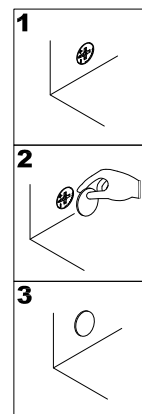
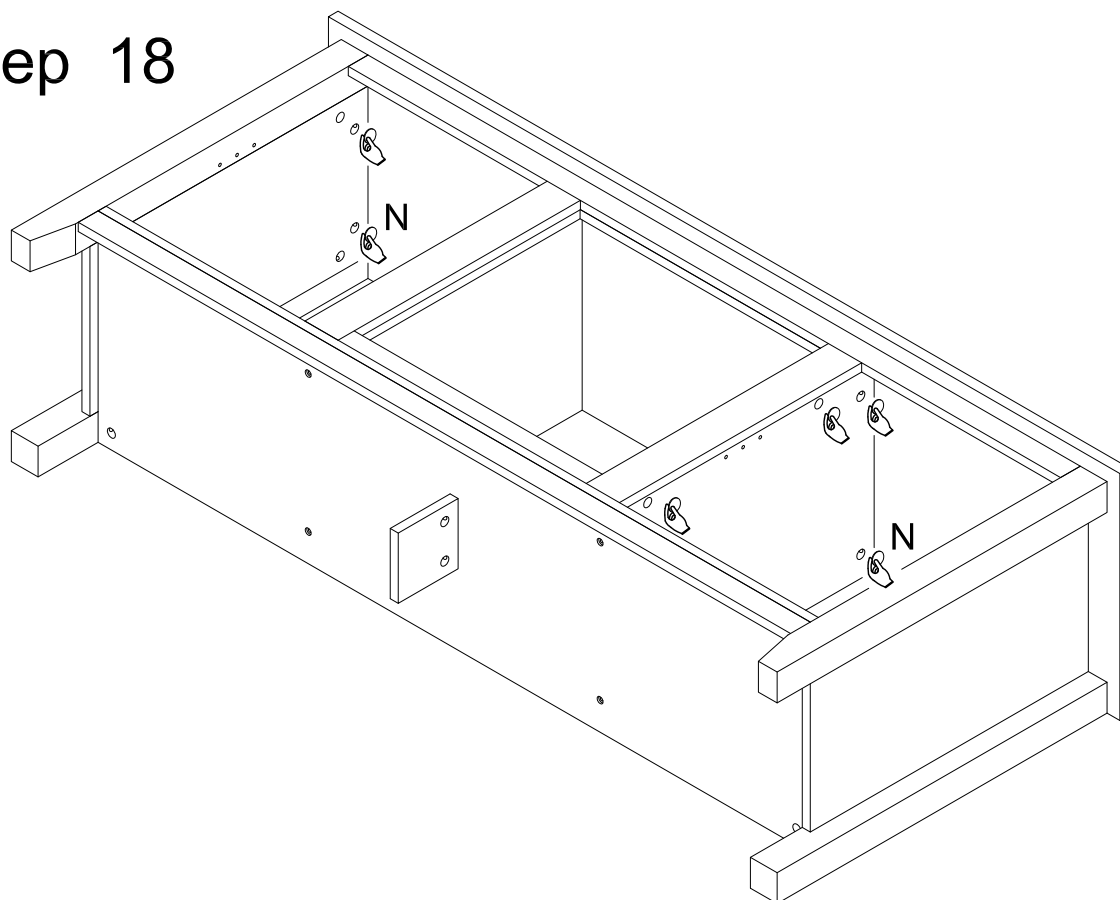
Place the top panel (1) to the stand and secure it with the cam locks (C).

## Step 17



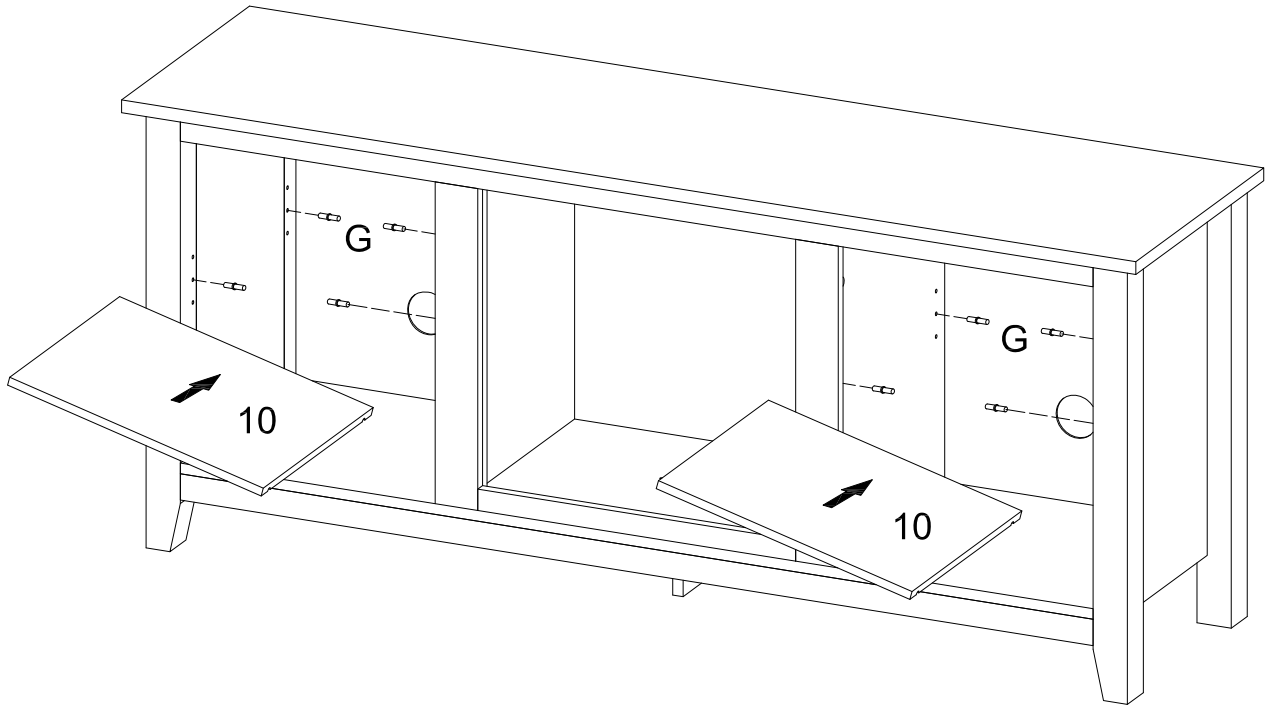
Use flat-head screw (F) and plastic wedge (E) to secure the back panel (8).

## Step 18



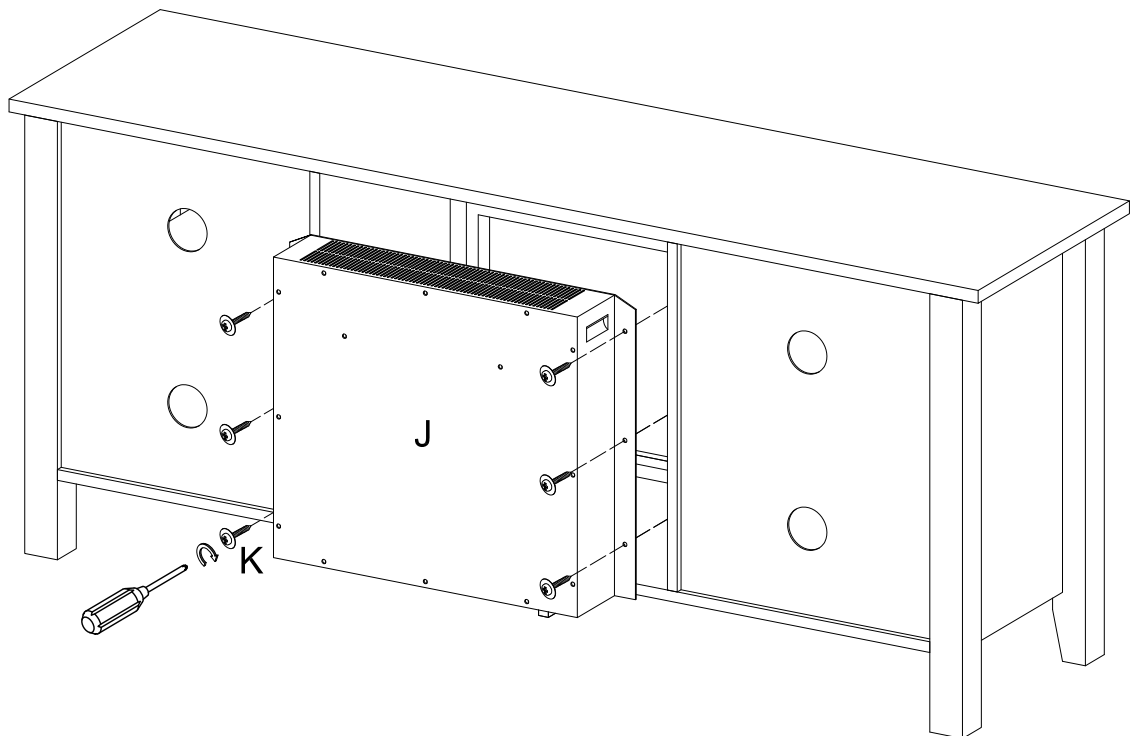
Attached the sticker (N) to cover the cam lock (C).

## Step 19



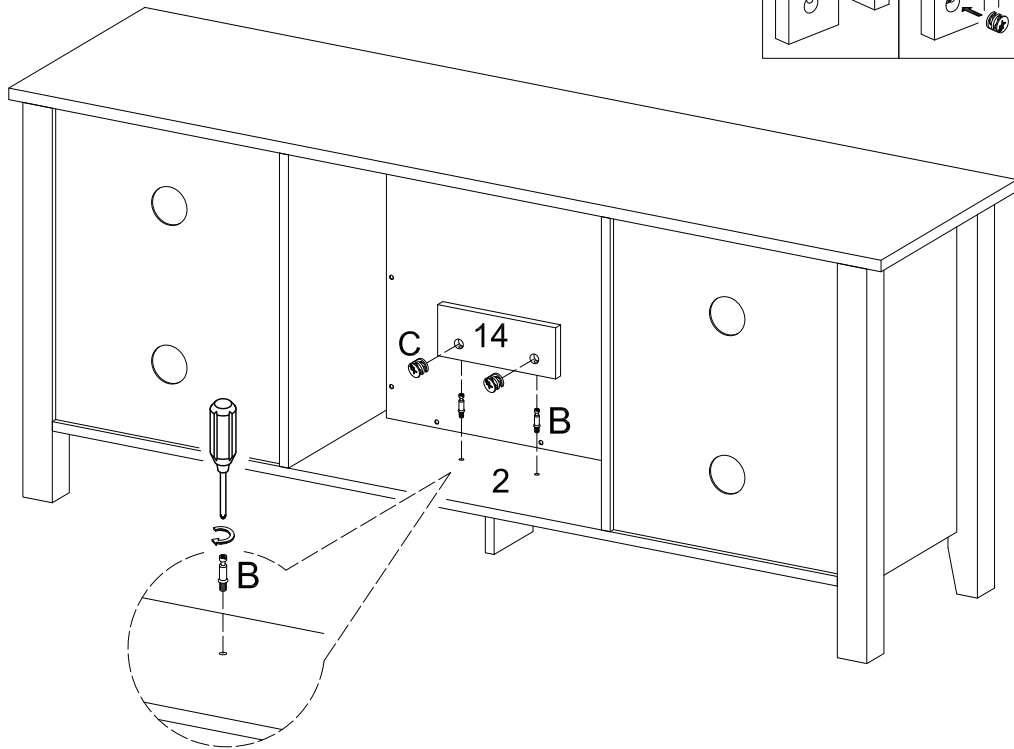
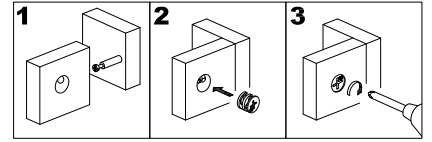
Input the shelf support pin (G) to the stand and place the wooden shelf (10) on top.

## Step 20



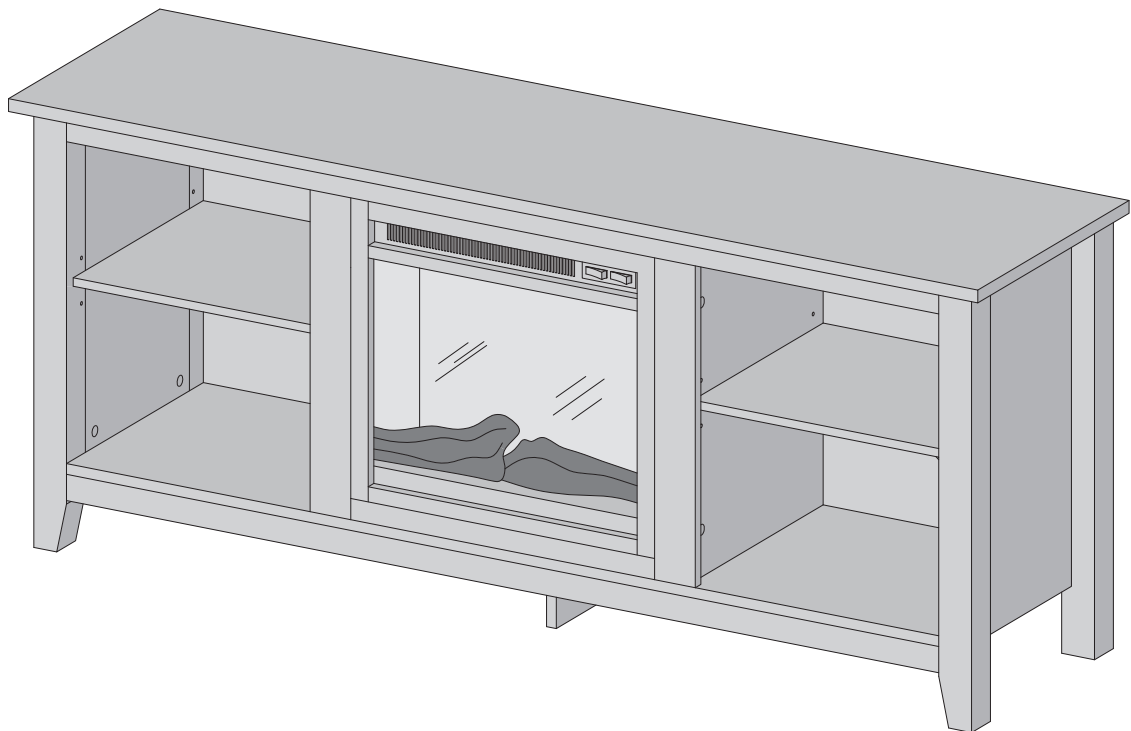
Assemble the fireplace insert (J) to the stand and secure it with screw (K).

## Step 21



For security, insert the cam bolts (B) and use cam lock (C) to assemble the support panel (14) to the bottom panel (2).

## Step 22



## Final Assembly