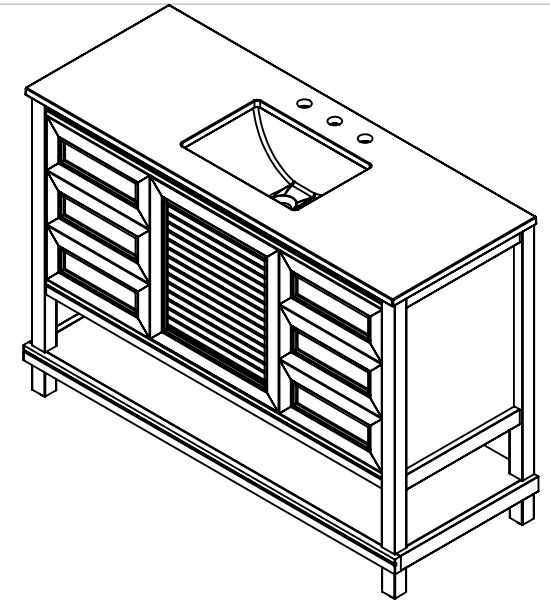
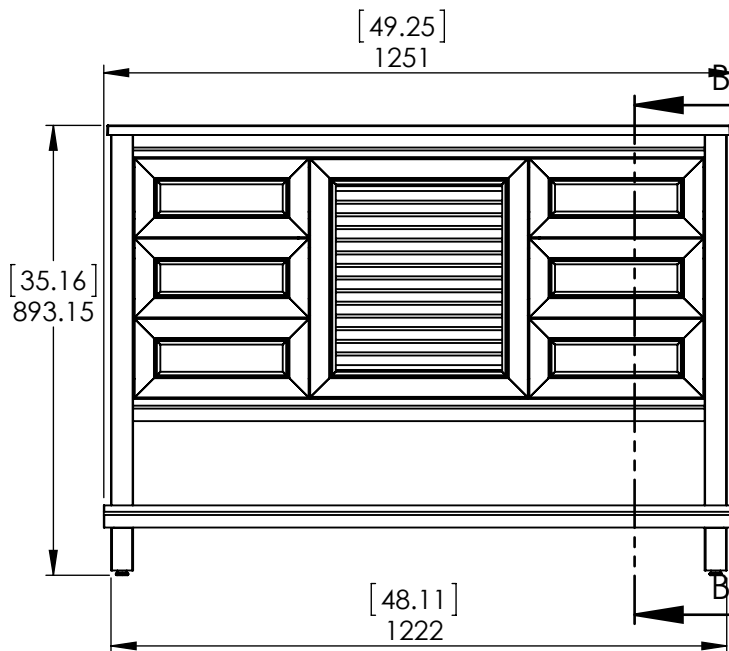


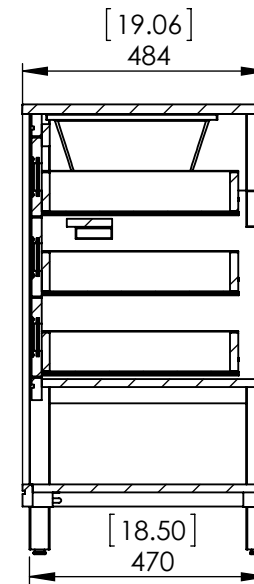
Top View



Isometric View



Front View

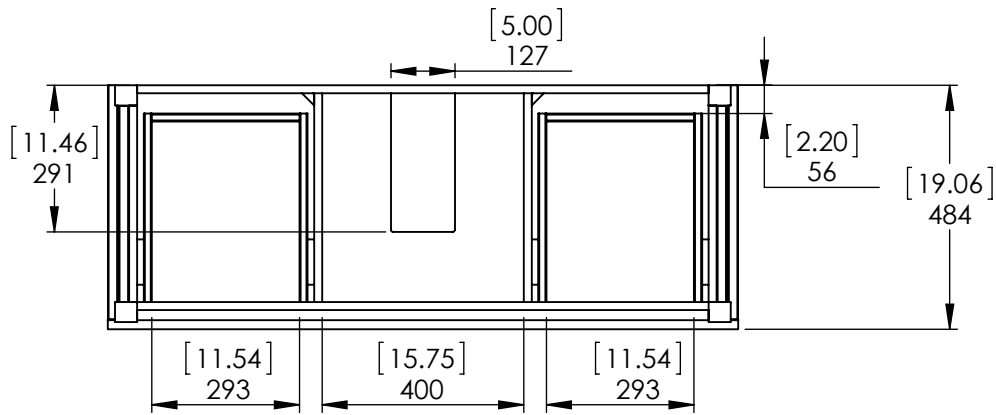


SECTION B-B
SCALE 1 : 15

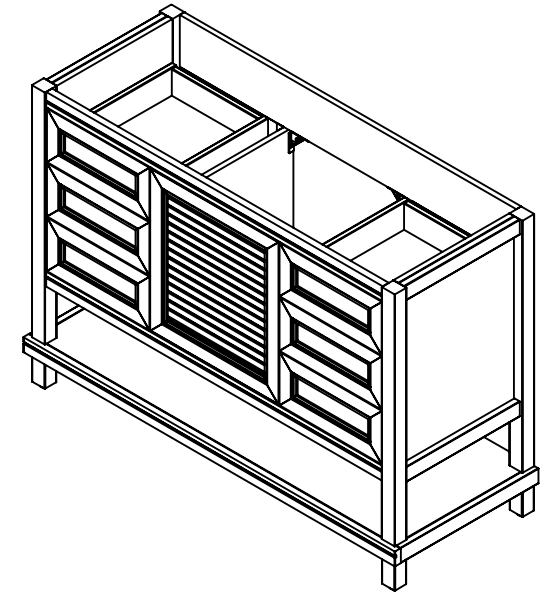
ITEM:	EB48P2-WH	REV	A
	EB48P2-ST		
NAME:	Eastbourne 48in		



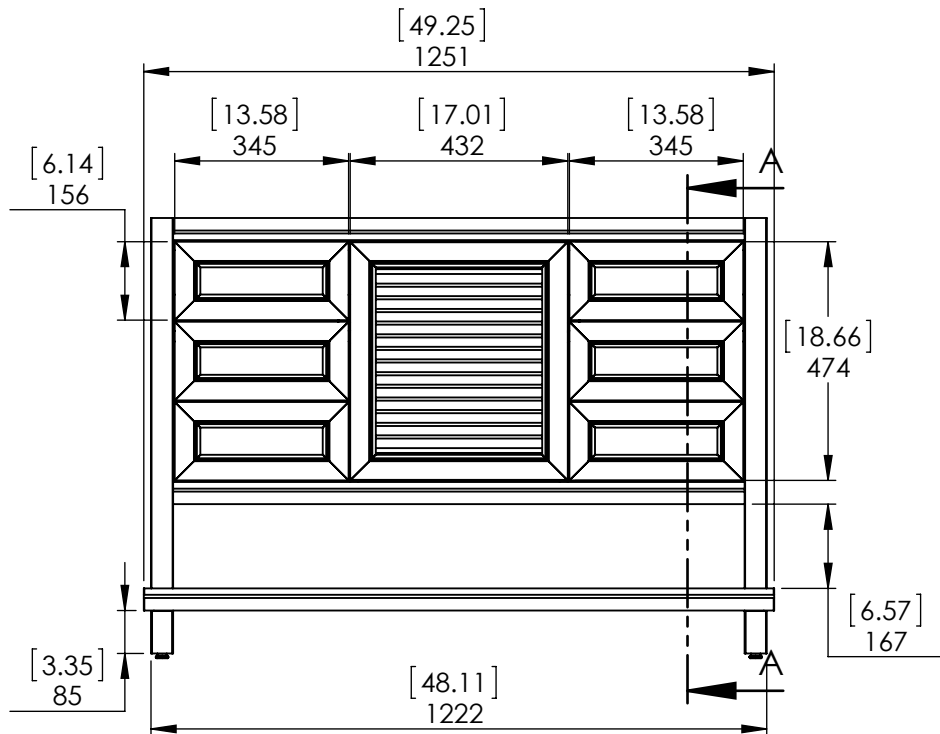
Propiedad y Confidencialidad La información contenida en este dibujo es puramente propiedad de <i>Woodcrafters Home Products LLC</i> . Queda prohibida cualquier reproducción parcial o total sin el permiso por escrito de <i>Woodcrafters Home Product LLC</i> .	DRAWING	ARB	07/10/18	MATERIAL: German beech 4/4 Laminated Particle Board White/Sterling MODEL: Eastbourne 48in
	REVIEW	ING	07/10/18	
	APPROVED	R&D	07/10/18	
	SCALE:1:15			



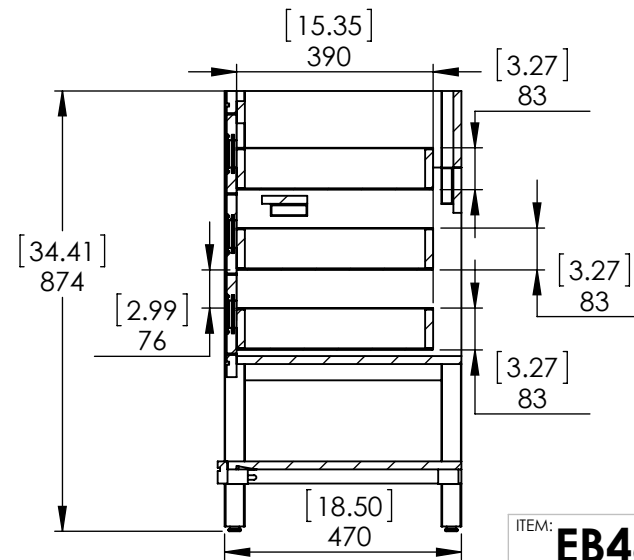
Top View



Isometric View



Front View



SECTION A-A
SCALE 1 : 15

ITEM:	EB48P2-WH	REV	
	EB48P2-ST		A

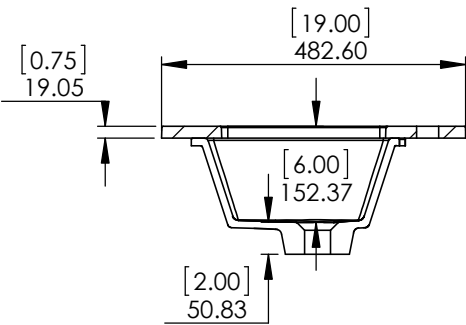
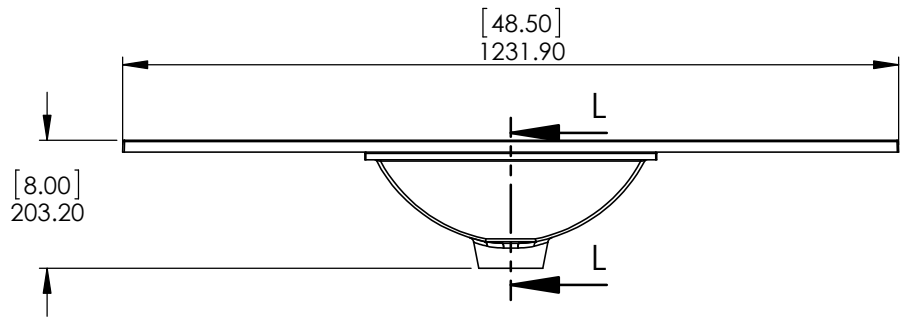
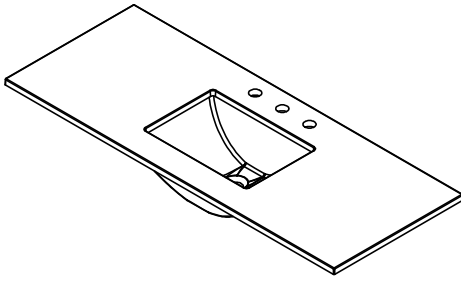
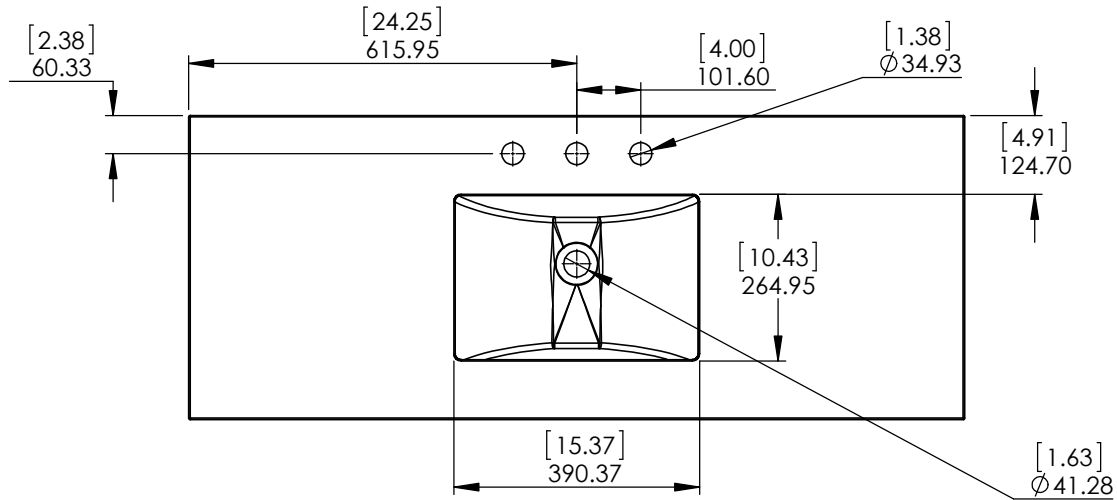
NAME: **Eastbourne 48in**



Propiedad y Confidencialidad La información contenida en este dibujo es puramente propiedad de Woodcrafters Home Products LLC. Queda prohibida cualquier reproducción parcial o total sin el permiso por escrito de Woodcrafters Home Product LLC.	DRAWING	ARB	07/10/18	MATERIAL: German beech 4/4 Laminated Particle Board White/Sterling Eastbourne 48in
	REVIEW	ING	07/10/18	
	APPROVED	R&D	07/10/18	
	SCALE:1:15	MODEL:		

ID	Description	Technology	Status
59XXXX	Vtop SE Rect 48.5x19 8in Pulsar	Stone Effect	Approved for production

Rev #	Approved by	Change
0	O. Razo	Released



NOTE: MAX. WARPAGE
TOLERANCE 1/8"

PROPRIETARY AND CONFIDENTIAL
THE INFORMATION CONTAINED IN THIS DRAWING IS THE
SOLE PROPERTY OF WOODCRAFTERS. ANY
REPRODUCTION IN PART OR AS A WHOLE WITHOUT THE
WRITTEN PERMISSION OF WOODCRAFTERS IS PROHIBITED.

UNLESS OTHERWISE SPECIFIED
DIMENSIONS ARE IN MM.
AND (INCHES)
TOLERANCES ARE
+0.125 [3.175] -0.125 [-3.175]
SCALE:1:12

	NAME	DATE
DRAWN	O. Razo	5/31/18
CHECKED	R. Rubio	5/31/18
ENG APPR.	R. Rubio	5/31/18
MFG APPR.	C. Leal	5/31/18

Wood Crafters

SIZE DWG. NO. SHEET 1 OF 1
A Vtop SE Rect 48.5x19 8in REV: 0