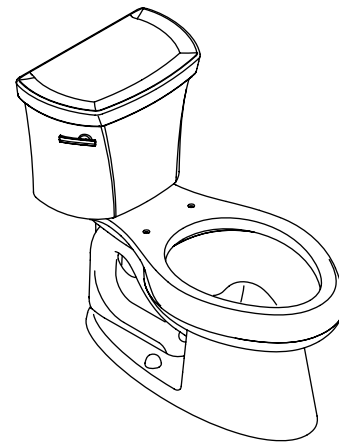


#### Features

- Vitreous china
- Elongated bowl
- Class Five® flushing system
- Polished chrome trip lever
- Less seat and supply
- 14" (35.6 cm) rough-in
- 1.28 gpf (4.8 lpf)
- 2-1/8" (5.4 cm) fully glazed trapway
- 11-1/4" (28.6 cm) x 8-1/4" (21 cm) water area
- 31-5/8" (80.3 cm) x 18-1/4" (46.4 cm) x 28-3/4" (73 cm)



#### Codes/Standards Applicable

Specified model meets or exceeds the following:

- ASME A112.19.2/CSA B45.1
- EPA WaterSense®

#### Colors/Finishes

- 0: White
- Other: Refer to Price Book for additional colors/finishes

#### Accessories

- 0: White
- CP: Polished Chrome
- Other: Refer to Price Book for additional colors/finishes

#### Specified Model

Model	Description	Trip Lever	Colors/Finishes	
K-3948	Class Five toilet	left-hand	<input type="checkbox"/> 0	<input type="checkbox"/> Other_____
K-3948-RA	Class Five toilet	right-hand	<input type="checkbox"/> 0	<input type="checkbox"/> Other_____
K-3948-RZ	Class Five toilet with Insuliner® and tank cover locks	right-hand	<input type="checkbox"/> 0	<input type="checkbox"/> Other_____
K-3948-T	Class Five toilet with tank cover locks	left-hand	<input type="checkbox"/> 0	<input type="checkbox"/> Other_____
K-3948-TR	Class Five toilet with tank cover locks	right-hand	<input type="checkbox"/> 0	<input type="checkbox"/> Other_____
K-3948-U	Class Five toilet with Insuliner	left-hand	<input type="checkbox"/> 0	<input type="checkbox"/> Other_____
K-3948-UR	Class Five toilet with Insuliner	right-hand	<input type="checkbox"/> 0	<input type="checkbox"/> Other_____
K-3948-UT	Class Five toilet with Insuliner and tank cover locks	left-hand	<input type="checkbox"/> 0	<input type="checkbox"/> Other_____

#### Product Specification

The elongated bowl toilet shall be made of vitreous china. Toilet shall be 31-5/8" (80.3 cm) in length, 18-1/4" (46.4 cm) in width, and 28-3/4" (73 cm) in height with a 11-1/4" (28.6 cm) x 8-1/4" (21 cm) water area. Toilet shall be 1.28 gpf (4.8 lpf) with Class Five flushing system. Toilet shall include polished chrome trip lever. Toilet shall have 2-1/8" (5.4 cm) glazed trapway. Toilet shall be 14" (35.6 cm) rough-in. Toilet shall be less seat and supply. Toilet shall be Kohler Model K-3948-\_\_\_\_\_-\_\_\_\_\_.

# WELLWORTH®

## Recommended Accessories

K-4636	Cachet® Quiet-Close™ seat with Quick-Release™ functionality	<input type="checkbox"/> 0	<input type="checkbox"/> Other_____
K-4688	Cachet elongated toilet seat with cover	<input type="checkbox"/> 0	<input type="checkbox"/> Other_____
K-7637	Angle supply with stop – 3/8" NPT	<input type="checkbox"/> CP	<input type="checkbox"/> Other_____

## Technical Information

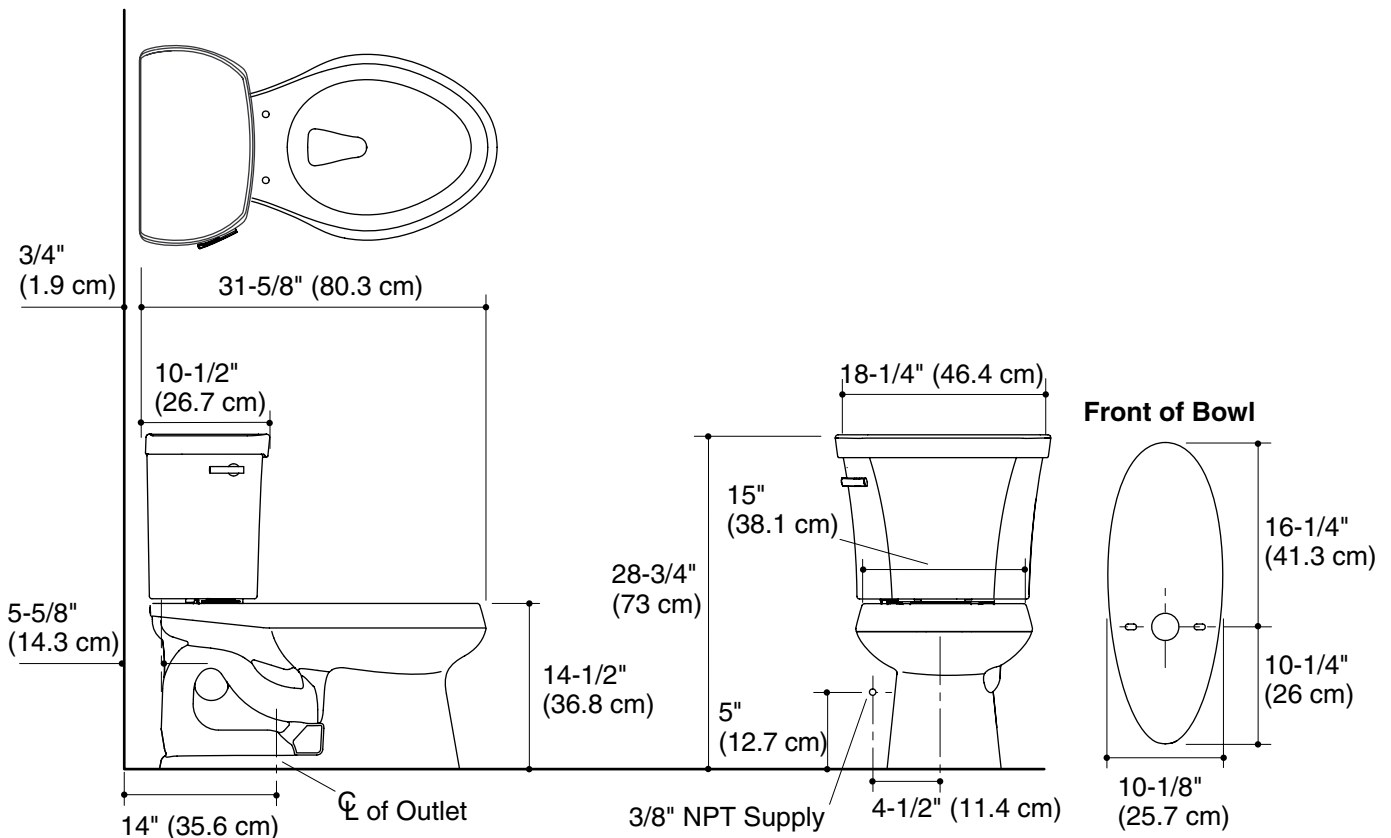
Fixture:	
Configuration	two-piece, elongated
Water per flush	1.28 gpf (4.8 lpf)
Passageway	2-1/8" (5.4 cm)
Water area	11-1/4" (28.6 cm) x 8-1/4" (21 cm)
Water depth from rim	5-1/4" (13.3 cm)
Seat post hole centers	5-1/2" (14 cm)

### Included components:

Bowl	K-4198
Tank	K-4841
Tank cover	1145223
Trip lever	K-9379
Tank accessory pack	1016548
Bolt cap accessory pack	1013092

## Installation Notes

Install this product according to the installation guide.



## Product Diagram