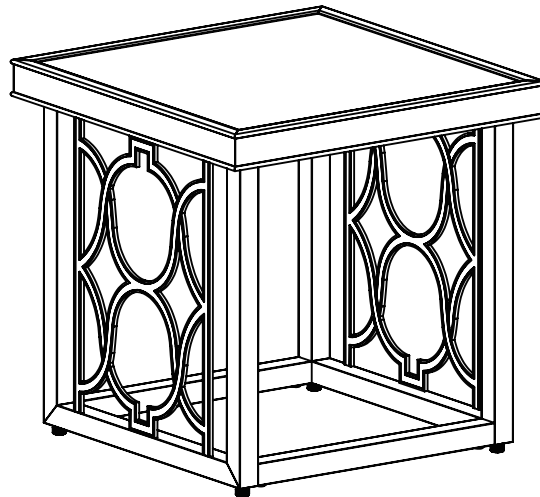


USE AND CARE GUIDE

RICHMOND HILL ACCENT TABLE



Questions, problems, missing parts? Before returning to the store,
call Home Decorators Collection Customer Service
8.00 a.m. - 6.00 p.m., EST, Monday - Friday

1-800-245-2217

HOMEDECORATORS.COM


THANK YOU


We appreciate the trust and confidence you have placed in Home Decorators Collection through the purchase of this table. We strive to continually create quality products designed to enhance your home. Visit us online to see our full line of products available for your home improvement needs. Thank you for choosing Home Decorators Collection.

Table of Contents


Table of Contents.....	2	Pre-Assembly	3
Safety Information.....	2	Planning Assembly	3
Warranty.....	2	Hardware Included.....	3
Five Year Frame and One Year Table Top Limited Warranty.....	2	Package Contents	4
What Is Covered	2	Assembly	5
What Is Not Covered	2		
Care Instructions	2		

Safety Information

 **DANGER:** Please keep children out of the assembly area during assembly.

 **CAUTION:** Use the table on flat ground only.

 **WARNING:** Do not sit or stand on the table.

 **IMPORTANT:** Please check the tightness of bolts at least every 180 days.

Warranty

FIVE YEAR FRAME AND ONE YEAR TABLE TOP LIMITED WARRANTY

WHAT IS COVERED

We warrant the frame to be free of manufacturing defects to the original purchaser for five years and the table top for one year.

WHAT IS NOT COVERED

It remains the customer's responsibility for freight and packaging charges to and from our service center. This warranty does not cover commercial use, hardware, acts of nature, fire, freezing and abusive use. In addition, purchased parts are not covered under this warranty. We reserve the right to make substitutions with similar merchandise, if the model in question is no longer in production.

Fading, staining of the table surface is not included under warranty.

All warranties are to the original purchaser from authorized dealers only. Warranties are not transferable.

Care Instructions

- Before using, wipe with a clean, dry cloth. Do not use bleach or solvents.
- Treat the frame with liquid wax for maximum protection against UV light and salty, damp air.
- When not in use, store furniture in a cool, dry place. Tables must not be stored upside down.
- When cleaning the tabletop make sure to use a soft, clean cloth that doesn't bleed color.

You may contact our customer service department with any questions by phone at 1-800-245-2217 or visit www.homedecorators.com.

Pre-Assembly

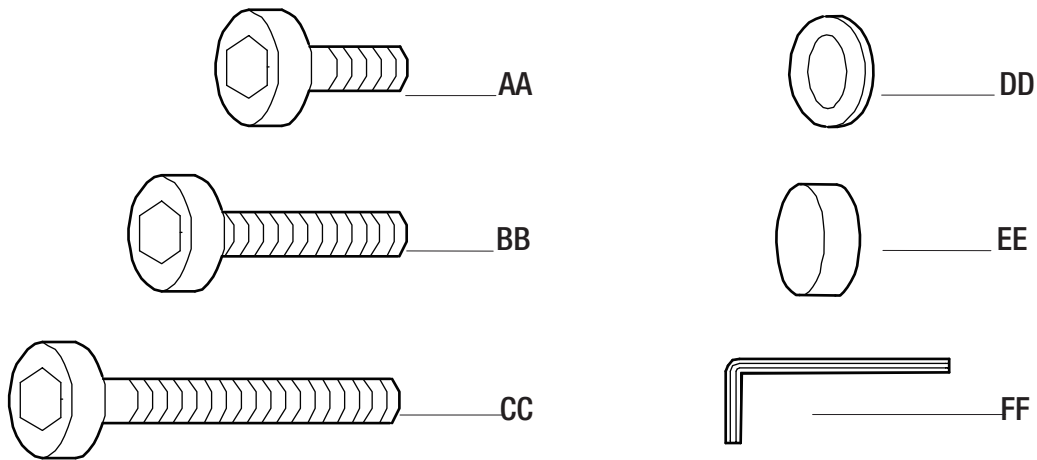
PLANNING ASSEMBLY

It will take two people about 10 minutes to complete the assembly process.

HARDWARE INCLUDED



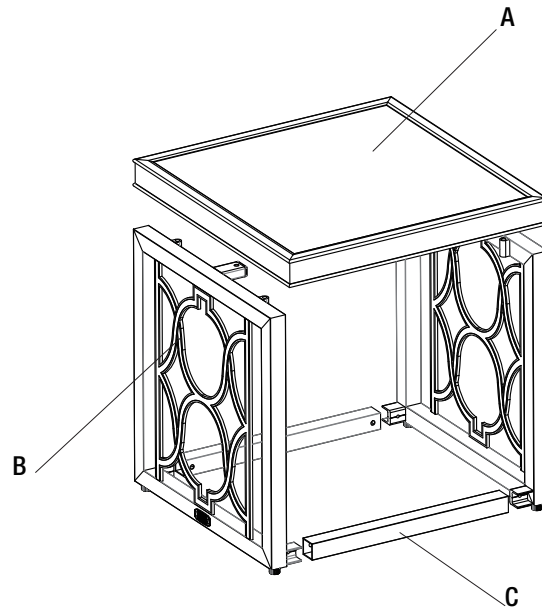
NOTE: Hardware not shown to actual size.



Part	Description	Quantity
AA	Bolt (M6x18)	4
BB	Bolt (M6x30)	2
CC	Bolt (M6x45)	4
DD	Washer	10
EE	Bolt cap	10
FF	Hex wrench	1

Pre-Assembly(continued)

PACKAGE CONTENTS



Part	Description	Quantity
A	Table top	1
B	Side panel	2
C	Cross bar	2

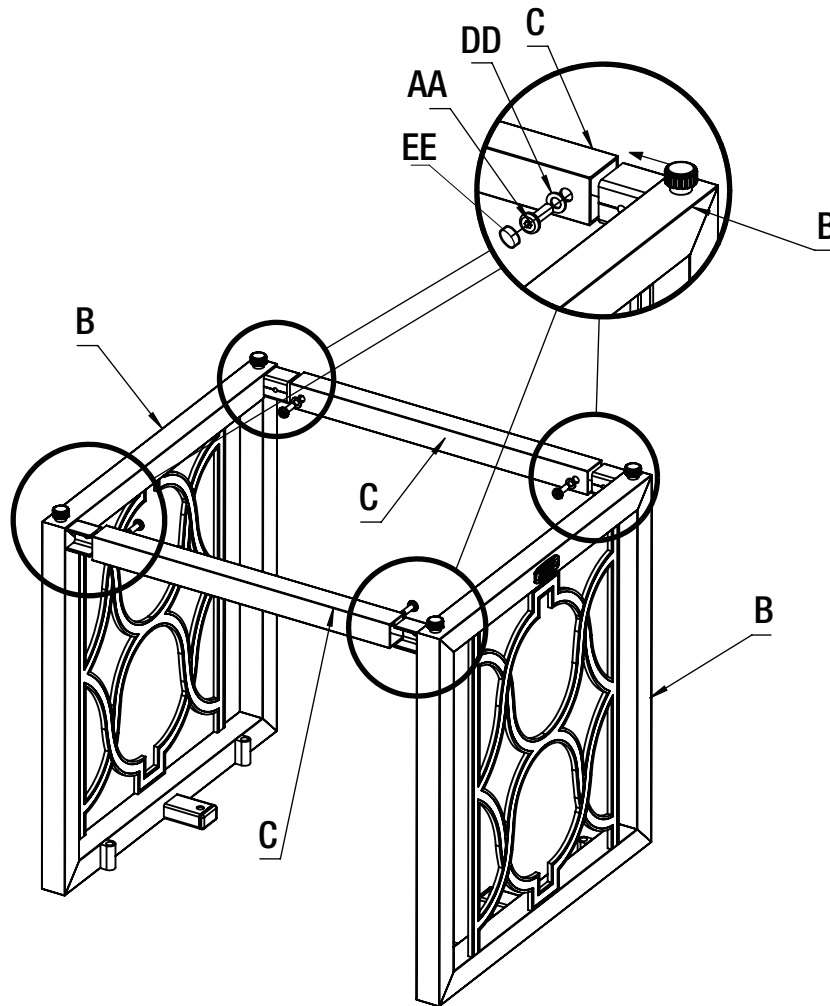
Assembly

1 Assembling the table base

- Place side panels (B) upside down on a flat, smooth surface.
- Plug the tabs of side panels into cross bars (C) and secure them with washers (DD) and bolts (AA) using hex wrench (FF).

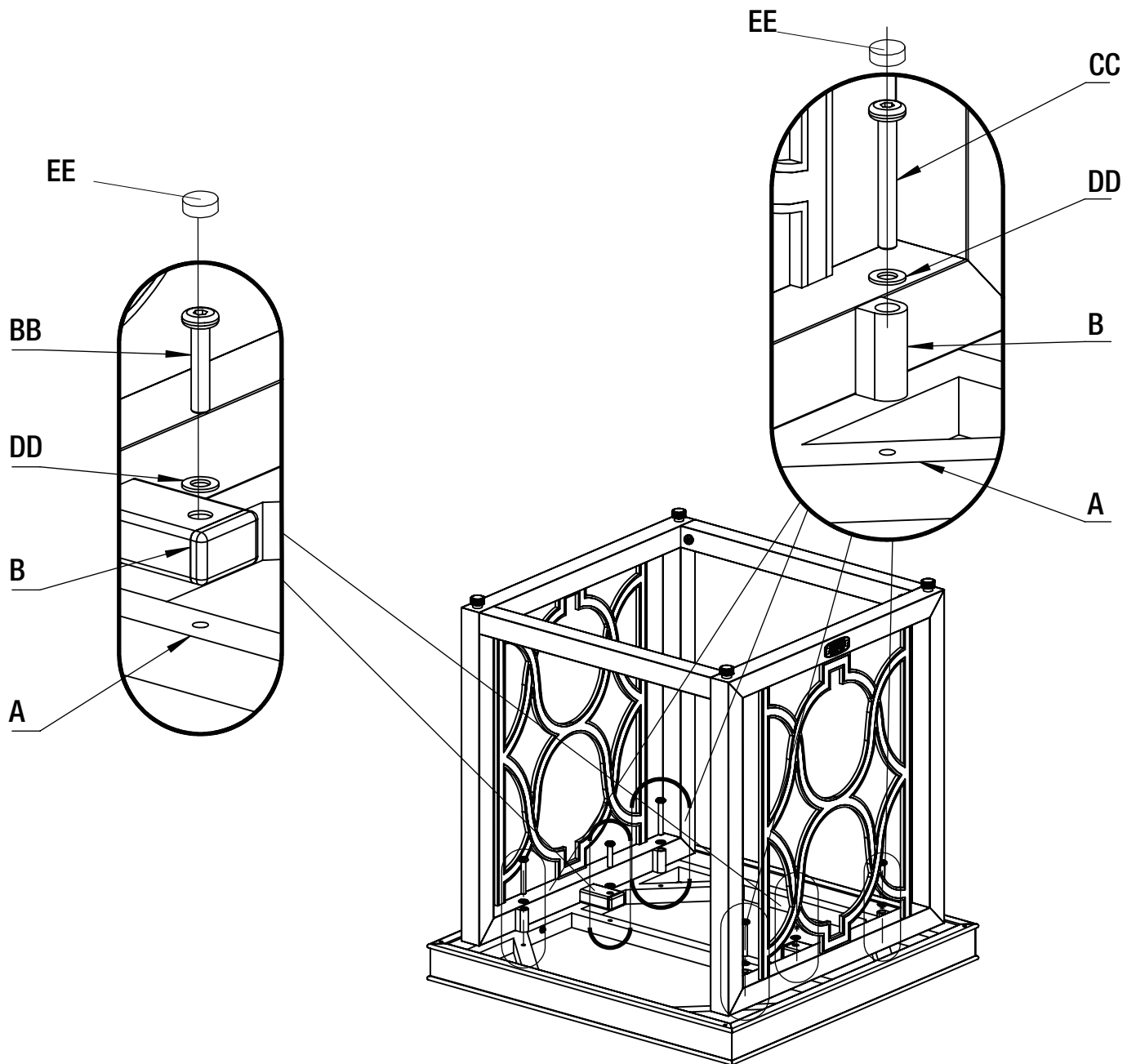


NOTE: Do not tighten bolts completely until the end of Step 2.



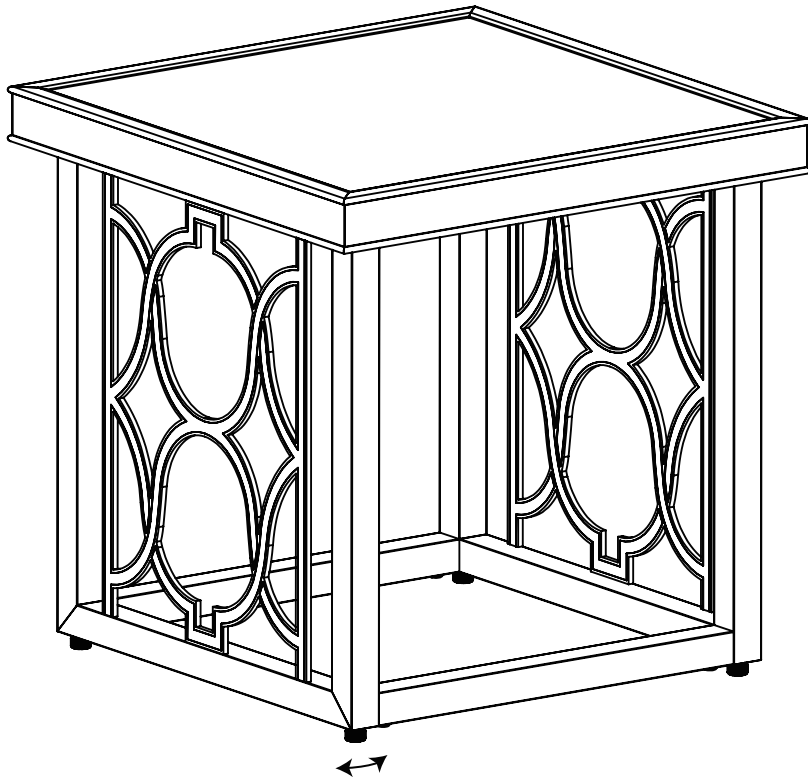
2 Attaching the table base

- Place the table top (A) upside down on a flat, smooth surface.
- Attach the table base to the table top with washers (DD) and bolts (BB) and (CC) using hex wrench (FF).
- Fully tighten all the bolts (AA),(BB) and (CC) once all bolts are in place.
- Cover all the bolts with bolt caps (EE).



3 Stabilizing the table

- Turn the table upright. Level the table with foot glides if necessary.



HOME
DECORATORS
COLLECTION

**Questions, problems, missing parts? Before returning to the store,
call Home Decorators Collection Customer Service
8.00 a.m. – 6.00 p.m., EST, Monday-Friday**

1-800-245-2217

HOMEDECORATORS.COM

Retain this manual for future use.