

# EZ Handrail & Screen Rooms

Aluminum Baluster,  
Glass Baluster,  
ADA Compliant  
Round Handrails  
& Screen Room Kits



1.800.248.1520



# Railing Kits

## Table of Contents

- Page 1-2 Railing Kits
- Page 3-4 Glass Baluster Kits
- Page 5-7 ADA Round Handrail
- Page 8-9 EZ Screen Rooms
- Page 10 Screen Enclosure with Integrated Railing Instructions
- Page 11 10 Year Warranty

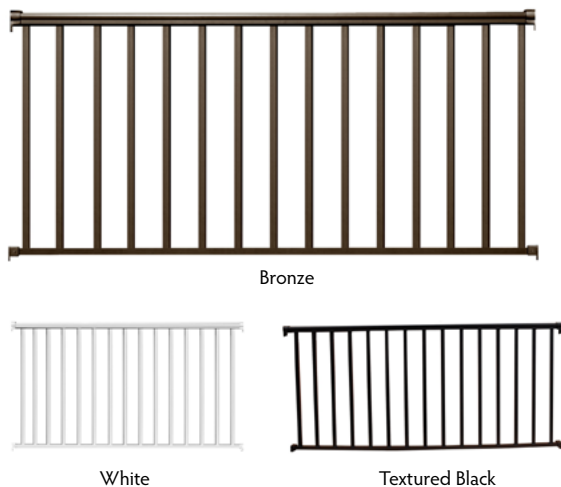


1.800.248.1520  
[www.ezhandrail.com](http://www.ezhandrail.com)

## 1" Sq. Aluminum Baluster (Picket) Railing Kits

Model#	Description
<b>EZ6RW</b>	6 ft. x 36 in. Aluminum White 1 in. Baluster Railing
<b>EZ6RBZ</b>	6 ft. x 36 in. Aluminum Bronze 1 in. Baluster Railing
<b>EZ6RHB</b>	6 ft. x 36 in. Aluminum Textured Black 1 in. Baluster Railing
<b>EZ6CW</b>	6 ft. x 42 in. Aluminum White 1 in. Baluster Railing
<b>EZ6CBZ</b>	6 ft. x 42 in. Aluminum Bronze 1 in. Baluster Railing
<b>EZ6CHB</b>	6 ft. x 42 in. Aluminum Textured Black 1 in. Baluster Railing
<b>EZ8RW</b>	8 ft. x 36 in. Aluminum White 1 in. Baluster Railing
<b>EZ8RBZ</b>	8 ft. x 36 in. Aluminum Bronze 1 in. Baluster Railing
<b>EZ8RHB</b>	8 ft. x 36 in. Aluminum Textured Black 1 in. Baluster Railing
<b>EZ8CW</b>	8 ft. x 42 in. Aluminum White 1 in. Baluster Railing
<b>EZ8CBZ</b>	8 ft. x 42 in. Aluminum White 1 in. Baluster Railing
<b>EZ8CHB</b>	8 ft. x 42 in. Aluminum Textured Black 1 in. Baluster Railing

6' Rail Section



**Ships unassembled**

## EZ Posts (Welded base)

Compatible with all products

Model#	Description
<b>EZPRW-W</b>	3 in. x 3 in. x 38 in. White Aluminum Post with Welded Base
<b>EZPRBZ-W</b>	3 in. x 3 in. x 38 in. Bronze Aluminum Post with Welded Base
<b>EZPRHB-W</b>	3 in. x 3 in. x 38 in. Textured Black Aluminum Post with Welded Base
<b>EZPCW-W</b>	3 in. x 3 in. x 44 in. White Aluminum Post with Welded Base
<b>EZPCBZ-W</b>	3 in. x 3 in. x 44 in. Bronze Aluminum Post with Welded Base
<b>EZPCHB-W</b>	3 in. x 3 in. x 44 in. Textured Black Aluminum Post with Welded Base
<b>EZBCW-LP</b>	3 in. x 3 in. White Aluminum EZ Post Low Profile Base Cover
<b>EZBCBZ-LP</b>	3 in. x 3 in. Bronze Aluminum EZ Post Low Profile Base Cover
<b>EZBCHB-LP</b>	3 in. x 3 in. Textured Black Aluminum EZ Post Low Profile Base Cover



**5" x 5" Welded Base Plate**

## Mounting Accessories

Model#	Description
<b>EZPMW</b>	Pivot Mount Kit White Aluminum (2 top rail & 2 bottom rail mounts) FOR NON 90 DEG. TURNS
<b>EZPMB</b>	Pivot Mount Kit Bronze Aluminum (2 top rail & 2 bottom rail mounts) FOR NON 90 DEG. TURNS
<b>EZPMHB</b>	Pivot Mount Kit Textured Black Aluminum (2 top rail & 2 bottom rail mounts) FOR NON 90 DEG. TURNS
<b>EZTBPM2W</b>	Level 1 Mount Top and Bottom White Post Mount Kit for 2.75 in. EZ Handrail
<b>EZTBPM2BZ</b>	Level 1 Mount Top and Bottom Bronze Post Mount Kit for 2.75 in. EZ Handrail
<b>EZTBPM2HB</b>	Level 1 Mount Top and Bottom Textured Black Post Mount Kit for 2.75 in. EZ Handrail

### Pivot Kits:



### Level Kits:



# Glass Baluster Railing Kits

COMMERCIAL & RESIDENTIAL  
**EZ**  
ALUMINUM HANDRAIL

1.800.248.1520  
[www.ezhandrail.com](http://www.ezhandrail.com)

## EZ 8" Glass Baluster Railing Kits

Model#	Description
<b>EZG600</b>	6 ft. x 36 in. White Aluminum Frame Glass Baluster Railing Kit
<b>EZG610</b>	6 ft. x 36 in. Bronze Aluminum Frame Glass Baluster Railing Kit
<b>EZG615</b>	6 ft. x 36 in. Textured Black Aluminum Frame Glass Baluster Railing Kit
<b>EZG620</b>	6 ft. x 42 in. White Aluminum Frame Glass Baluster Railing Kit
<b>EZG630</b>	6 ft. x 42 in. Bronze Aluminum Frame Glass Baluster Railing Kit
<b>EZG635</b>	6 ft. x 42 in. Textured Black Aluminum Frame Glass Baluster Railing Kit
<b>EZG800</b>	8 ft. x 36 in. White Aluminum Frame Glass Baluster Railing Kit
<b>EZG810</b>	8 ft. x 36 in. Bronze Aluminum Frame Glass Baluster Railing Kit
<b>EZG815</b>	8 ft. x 36 in. Textured Black Aluminum Frame Glass Baluster Railing Kit
<b>EZG820</b>	8 ft. x 42 in. White Aluminum Frame Glass Baluster Railing Kit
<b>EZG830</b>	8 ft. x 42 in. Bronze Aluminum Frame Glass Baluster Railing Kit
<b>EZG842</b>	8 ft. x 42 in. Textured Black Aluminum Frame Glass Baluster Railing Kit



White



Bronze



Textured Black

## EZ Solid Glass Panel Railing

(1/4" Glass Sold Separately, 21 Day leadtime)

Model#	Description
<b>EZG600-NG</b>	6 ft. x 36 in. White Aluminum Railing Frame for Solid Glass Panels
<b>EZG610-NG</b>	6 ft. x 36 in. Bronze Aluminum Railing Frame for Solid Glass Panels
<b>EZG615-NG</b>	6 ft. x 36 in. Textured Black Aluminum Railing Frame for Solid Glass Panels
<b>EZG620-NG</b>	6 ft. x 42 in. White Aluminum Railing Frame for Solid Glass Panels
<b>EZG630-NG</b>	6 ft. x 42 in. Bronze Aluminum Railing Frame for Solid Glass Panels
<b>EZG635-NG</b>	6 ft. x 42 in. Textured Black Aluminum Railing Frame for Solid Glass Panels
<b>EZG800-NG</b>	8 ft. x 36 in. White Aluminum Railing Frame for Solid Glass Panels
<b>EZG810-NG</b>	8 ft. x 36 in. Bronze Aluminum Railing Frame for Solid Glass Panels
<b>EZG815-NG</b>	8 ft. x 36 in. Textured Black Aluminum Railing Frame for Solid Glass Panels
<b>EZG820-NG</b>	8 ft. x 42 in. White Aluminum Railing Frame for Solid Glass Panels
<b>EZG830-NG</b>	8 ft. x 42 in. Bronze Aluminum Railing Frame for Solid Glass Panels
<b>EZG842-NG</b>	8 ft. x 42 in. Textured Black Aluminum Railing Frame for Solid Glass Panels
<b>EZGSQFT-PANEL</b>	1/4 In. Tempered Glass Panels - Custom Sized per order



White



Bronze



Textured Black

## Additional Components & Accessories:

Model#	Description
All these items are included in kits	
<b>EZG105</b>	EZ Glass Railing Top & Bottom White Post Mounts
<b>EZG106</b>	EZ Glass Railing Top & Bottom Bronze Post Mounts
<b>EZG107</b>	EZ Glass Railing Top & Bottom Textured Black Post Mounts
<b>EZG110</b>	25 ft. Silicone Glass Spline for White Glass Railing
<b>EZG111</b>	25 ft. Silicone Glass Spline for Bronze and Black Glass Railing
<b>EZG112</b>	1 in. Silicone Glass Setting Blocks (16 pcs)
<b>EZG825</b>	8 in. x 30 in Tempered Glass Baluster for Residential 36 in. Railing
<b>EZG835</b>	8 in. x 35 in Tempered Glass Baluster for Residential 42 in. Railing
<b>EZG120</b>	3.75 in. Silicone Glass Spacer for White Glass Baluster Railing (18 pcs)
<b>EZG121</b>	3.75 in. Silicone Glass Spacer for Textured Black Glass Baluster Railing (18 pcs)

(Use when Railing Kit is cut into two sections)

### Level Kits:



### Pivot Kits:



Use pivot mounts for non 90 degree deck turns. See photo on page 3. Model #'s on page 2



# ADA Round Handrail Kits & Components



1.800.248.1520  
[www.ezhandrail.com](http://www.ezhandrail.com)

## EZ ADA 1.9" Round Handrail Kits

with Wall Return Ends & Brackets

All models include Wall Returns and mounting brackets for Interior & Exterior Use

Model#	Description
EZA3KWR-CV	1.9 in. x 36 in. Round Copper Vein Aluminum Handrail
EZA3KWR-SV	1.9 in. x 36 in. Round Silver Vein Aluminum Handrail
EZA3KWR-HB	1.9 in. x 36 in. Round Textured Black Aluminum Handrail
EZA3KWR-BZ	1.9 in. x 36 in. Round Charcoal Bronze Aluminum Handrail
EZA3KWR-W	1.9 in. x 36 in. Round White Aluminum Handrail
EZA4KWR-CV	1.9 in. x 48 in. Round Copper Vein Aluminum Handrail
EZA4KWR-SV	1.9 in. x 48 in. Round Silver Vein Aluminum Handrail
EZA4KWR-HB	1.9 in. x 48 in. Round Textured Black Aluminum Handrail
EZA4KWR-BZ	1.9 in. x 48 in. Round Charcoal Bronze Aluminum Handrail
EZA4KWR-W	1.9 in. x 48 in. Round White Aluminum Handrail
EZA6KWR-CV	1.9 in. x 72 in. Round Copper Vein Aluminum Handrail
EZA6KWR-SV	1.9 in. x 72 in. Round Silver Vein Aluminum Handrail
EZA6KWR-HB	1.9 in. x 72 in. Round Textured Black Aluminum Handrail
EZA6KWR-BZ	1.9 in. x 72 in. Round Charcoal Bronze Aluminum Handrail
EZA6KWR-W	1.9 in. x 72 in. Round White Aluminum Handrail
EZA8KWR-CV	1.9 in. x 96 in. Round Copper Vein Aluminum Handrail
EZA8KWR-SV	1.9 in. x 96 in. Round Silver Vein Aluminum Handrail
EZA8KWR-HB	1.9 in. x 96 in. Round Textured Black Aluminum Handrail
EZA8KWR-BZ	1.9 in. x 96 in. Round Charcoal Bronze Aluminum Handrail
EZA8KWR-W	1.9 in. x 96 in. Round White Aluminum Handrail

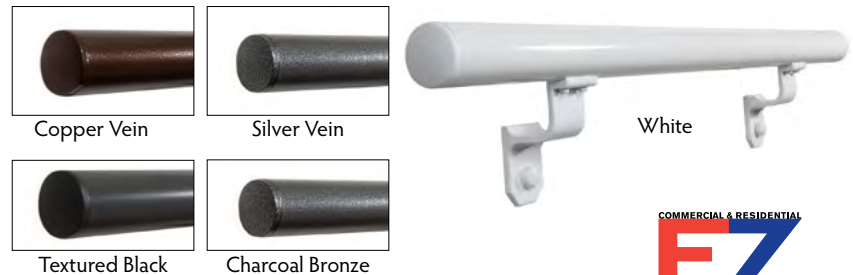


## EZ ADA 1.9" Round Handrail Kits

with End Caps & Brackets

All models include End Caps and mounting brackets for Interior & Exterior Use

Model#	Description
EZA3KIT-CV	1.9 in. x 36 in. Round Copper Vein Aluminum Handrail
EZA3KIT-SV	1.9 in. x 36 in. Round Silver Vein Aluminum Handrail
EZA3KIT-HB	1.9 in. x 36 in. Round Textured Black Aluminum Handrail
EZA3KIT-BZ	1.9 in. x 36 in. Round Charcoal Bronze Aluminum Handrail
EZA3KIT-W	1.9 in. x 36 in. Round White Aluminum Handrail
EZA4KIT-CV	1.9 in. x 48 in. Round Copper Vein Aluminum Handrail
EZA4KIT-SV	1.9 in. x 48 in. Round Silver Vein Aluminum Handrail
EZA4KIT-HB	1.9 in. x 48 in. Round Textured Black Aluminum Handrail
EZA4KIT-BZ	1.9 in. x 48 in. Round Charcoal Bronze Aluminum Handrail
EZA4KIT-W	1.9 in. x 48 in. Round White Aluminum Handrail
EZA6KIT-CV	1.9 in. x 72 in. Round Copper Vein Aluminum Handrail
EZA6KIT-SV	1.9 in. x 72 in. Round Silver Vein Aluminum Handrail
EZA6KIT-HB	1.9 in. x 72 in. Round Textured Black Aluminum Handrail
EZA6KIT-BZ	1.9 in. x 72 in. Round Charcoal Bronze Aluminum Handrail
EZA6KIT-W	1.9 in. x 72 in. Round White Aluminum Handrail
EZA8KIT-CV	1.9 in. x 96 in. Round Copper Vein Aluminum Handrail
EZA8KIT-SV	1.9 in. x 96 in. Round Silver Vein Aluminum Handrail
EZA8KIT-HB	1.9 in. x 96 in. Round Textured Black Aluminum Handrail
EZA8KIT-BZ	1.9 in. x 96 in. Round Charcoal Bronze Aluminum Handrail
EZA8KIT-W	1.9 in. x 96 in. Round White Aluminum Handrail



## ADA 1.9" Round Handrail Components

Contains pipe only. Components and fasteners sold separately.

Components come in these colors  
Use color code in place of "X" for model



W White HB Textured Black BZ Bronze CV Copper Vein SV Silver Vein



**Model No.** EZA100-6X  
**Description** Aluminum ADA Handrail 1.9" Round x 6 ft.



**Model No.** EZA100-8X  
**Description** Aluminum ADA Handrail 1.9" Round x 8 ft.



**Model No.** EZA100-24X  
**Description** Aluminum ADA Handrail 1.9" Round x 24 ft. White



**Model No.** EZA200-X  
**Description** ADA Handrail Wall Bracket



**Model No.** EZA575-X  
**Description** ADA Handrail Wall Return



**Model No.** EZA300-X  
**Description** ADA Handrail End Loop

## Additional Components & Accessories:

Some components include two 3" splices



**Model No.** EZA400-X (no splice)  
**Description** ADA Handrail End Bracket (wall mount, exterior fit)



**Model No.** EZA410-X (no splice)  
**Description** ADA Handrail End Cap (interior fit)



**Model No.** EZA500-X  
**Description** ADA Handrail Miter Elbow 90°



**Model No.** EZA712-X  
**Description** ADA Handrail 1-12 Slope Ramp Elbow



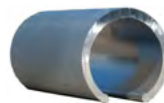
**Model No.** EZA734-X  
**Description** ADA Handrail 34 Degree Stair Elbow



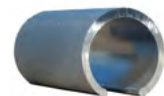
**Model No.** EZA585-X  
**Description** ADA Handrail Radius Elbow 90°



**Model No.** EZA555-X (no splice)  
**Description** ADA Handrail Adjustable Angle



**Model No.** EZA600-M  
**Description** ADA Handrail 3" Internal Splice - Mill



**Model No.** EZA650-M  
**Description** ADA Handrail 5" Internal Splice - Mill

Components come in these colors

Use color code in place of "X" for model



W White



HB Textured Black



BZ Bronze



CV Copper Vein



SV Silver Vein

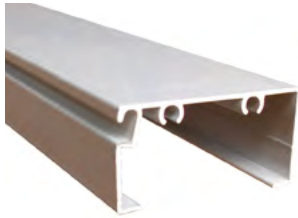


# EZ Screen Rooms

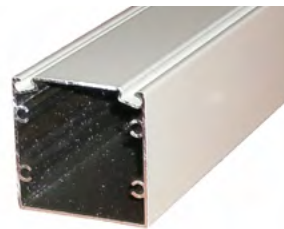


1.800.248.1520  
[www.ezhandrail.com](http://www.ezhandrail.com)

## EZ Screen Room Extrusion & Components



**1 x 2 Open Back -**  
Available in 8',10',12',24' lengths



**2 x 2 Post -**  
Available in 8',10',12',24' lengths



**Fiberglass Screen**  
18x14 Mesh, Charcoal



**EZSR100SBLK**  
100 ft. Black flat Spline

**EZSR1000S-RL**  
1000 ft. Black flat Spline

Model #	Description
---------	-------------

<b>OB1X8-BZ</b>	8 ft. x 1 in. x 2 in. Bronze Open Back Aluminum Extrusion
-----------------	---

<b>OB1X8-W</b>	8 ft. x 1 in. x 2 in. White Open Back Aluminum Extrusion
----------------	--

<b>OB1X10-BZ</b>	10 ft. x 1 in. x 2 in. Bronze Open Back Aluminum Extrusion
------------------	--

<b>OB1X10-W</b>	10 ft. x 1 in. x 2 in. White Open Back Aluminum Extrusion
-----------------	---

<b>OB1X12-BZ</b>	12 ft. x 1 in. x 2 in. Bronze Open Back Aluminum Extrusion
------------------	--

<b>OB1X12-W</b>	12 ft. x 1 in. x 2 in. White Open Back Aluminum Extrusion
-----------------	---

<b>OB1X24-BZ</b>	24 ft. x 1 in. x 2 in. Bronze Open Back Aluminum Extrusion
------------------	--

<b>OB1X24-W</b>	24 ft. x 1 in. x 2 in. White Open Back Aluminum Extrusion
-----------------	---

Model #	Description
---------	-------------

<b>PH2X8-BZ</b>	8 ft. x 2 in. x 2 in. Bronze Aluminum Extrusion w/Spline Track
-----------------	--

<b>PH2X8-W</b>	8 ft. x 2 in. x 2 in. White Aluminum Extrusion w/Spline Track
----------------	---

<b>PH2X10-BZ</b>	10 ft. x 2 in. x 2 in. Bronze Aluminum Extrusion w/Spline Track
------------------	---

<b>PH2X10-W</b>	10 ft. x 2 in. x 2 in. White Aluminum Extrusion w/Spline Track
-----------------	--

<b>PH2X12-BZ</b>	12 ft. x 2 in. x 2 in. Bronze Aluminum Extrusion w/Spline Track
------------------	---

<b>PH2X12-W</b>	12 ft. x 2 in. x 2 in. White Aluminum Extrusion w/Spline Track
-----------------	--

<b>PH2X24-BZ</b>	24 ft. x 2 in. x 2 in. Bronze Aluminum Extrusion w/Spline Track
------------------	---

<b>PH2X24-W</b>	24 ft. x 2 in. x 2 in. White Aluminum Extrusion w/Spline Track
-----------------	--

Model #	Description
---------	-------------

<b>SCREEN48</b>	Charcoal Black Screen, Fiberglass 4' X 100' Roll
-----------------	--

<b>SCREEN60</b>	Charcoal Black Screen, Fiberglass 5' X 100' Roll
-----------------	--

<b>SCREEN72</b>	Charcoal Black Screen, Fiberglass 6' X 100' Roll
-----------------	--

<b>SCREEN84</b>	Charcoal Black Screen, Fiberglass 7' X 100' Roll
-----------------	--

<b>SCREEN96</b>	Charcoal Black Screen, Fiberglass 8' X 100' Roll
-----------------	--

<b>SCREEN108</b>	Charcoal Black Screen, Fiberglass 9' X 100' Roll
------------------	--



**EZSRSRDEH**  
Screen Roller Tool



**EZSRCCW**  
White L - Angle Capri Clip with Fasteners

**EZSRCCBZ**  
Bronze L - Angle Capri Clip with Fasteners



**EZSRFOW**  
White Fasteners Only Kit

**EZSRFOBZ**  
Bronze Fasteners Only Kit



# Screen Enclosure with Integrated Railing Instructions



## Screen Rail & Screen Wall Kits:

Model #	Description
EZSRK810W	8 ft. W x 10 ft. H White Aluminum Screen Rail Kit with Fiberglass Screen
EZSRK810BZ	8 ft. W x 10 ft. H Bronze Aluminum Screen Rail Kit with Fiberglass Screen
EZSRK1210W	12 ft. W x 10 ft. H White Aluminum Screen Rail Kit with Fiberglass Screen
EZSRK1210BZ	12 ft. W x 10 ft. H Bronze Aluminum Screen Rail Kit with Fiberglass Screen

## Screen Rail Components (A la Carte):

EZSR2X8-WH	8 ft. Aluminum 2x2 in. White Open Back for Screen Rail -
EZSR2X8-BZ	8 ft. Aluminum 2x2 in. Bronze Open Back for Screen Rail -
EZTSM8-WH-P	Top Snap Plate White 8 ft. Mates with Screen Rail 2x2 Open Back
EZTSM8-BZ-P	Top Snap Plate Bronze 8 ft. Mates with Screen Rail 2x2 Open Back
EZTSM12-WH-P	Top Snap Plate White 12 ft. Mates with Screen Rail 2x2 Open Back
EZTSM12-BZ-P	Top Snap Plate Bronze 12 ft. Mates with Screen Rail 2x2 Open Back
EZDFW	36x80 in. White 2x2 in. Door Frame Only
EZDFBZ	36x80 in. Bronze 2x2 in. Door Frame Only
EZSD3068-WH	36x80 in. White Screen Door with all hardware, handle, stop, and 8 in. kickplate
EZSD3068-BZ	36x80 in. Bronze Screen Door with all hardware, handle, stop, and 8 in. kickplate

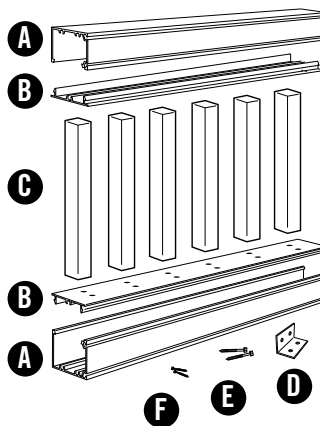
## Overview:

This instruction set shows the fabrication of the integrated railing portion of your screen enclosure. Additional steps are necessary for a complete screen enclosure.

## Parts:

- A. (2) 2x2" Open back (top and bottom rails)
- B. (2) Railing snap (top and bottom rails)
- C. (2.5) 1" Square Balusters per ft.
- D. (2) Capri Clips
- E. (4) 1.5" Fasteners per baluster
- F. (8) 3/4" Self Drilling Fasteners

Kits come in 8', 10' and 12' lengths



## Step by step Instructions

### Step 1

Measure and cut the (A) 2x2" Open Back bottom **AND** (A) 2x2" Midrail to fit firmly between your vertical posts or walls. Using wood or concrete screws, fasten **ONLY** the 2x2" bottom rail along the floor with the open side up. **IMPORTANT** – Make sure the spline groove is facing the desired direction. We recommend facing the screen in for elevated enclosures.

### Step 2

**BEFORE** cutting the two pieces of the (B) Railing Snap, align the end holes equidistant from each vertical post or wall. Then cut equal amounts from both ends of each Railing Snap so the pieces fit with uniform hole spacing in opening. \*Ensure holes align for both pieces.

### Step 3

Align (C) 1" Sq. Balusters holes to predrilled holes on the smooth side of (B) Railing Snap. Fasten each baluster with two 1.5" SMS fasteners. Continue fastening all necessary balusters.

### Step 4

Repeat Step 3 at the other end of the (C) "1" Sq. Balusters" to create your railing section

### Step 5

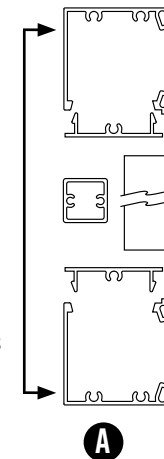
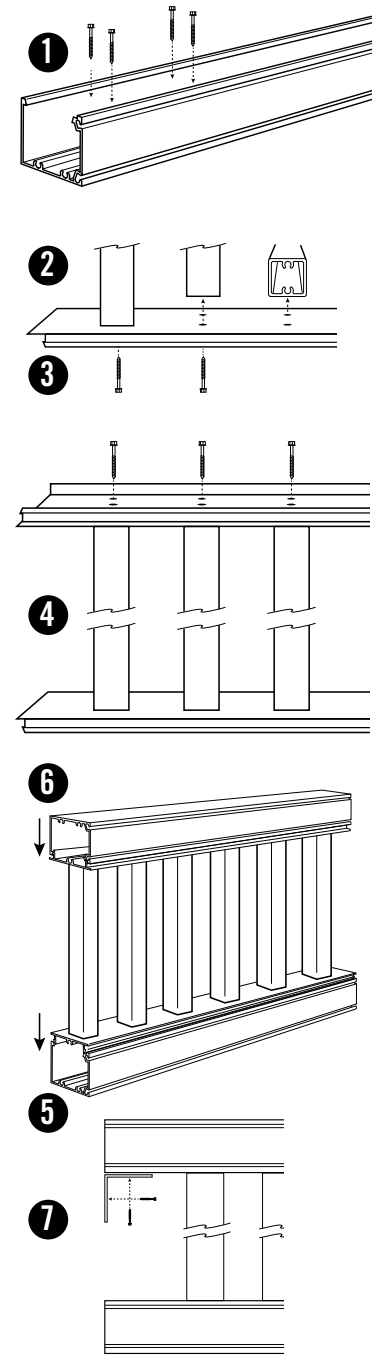
Snap railing section into secured (A) 2x2" Bottom Rail.

### Step 6

Snap (A) 2x2" Top Rail onto railing assembly. **IMPORTANT:** make sure that the spline grooves face the same direction (diagram A).

### Step 7

Secure top rail to existing posts or walls with (D) Capri Clips and (F) 3/4" Self Drilling Fasteners.





**1. For a time of 10 years the manufacture warrants to the original purchaser that the item will not peel or blister as a direct result of defects solely arising from its manufacture process.**

**Notice of Claims**

To procure performance of Madden Manufacturing 's obligation under this warranty, you must simply notify Madden Manufacturing of your claim within thirty (30) days after the occurrence of damage covered by this warranty. Your notice must be in writing, mailed by certified mail or delivered to Madden Manufacturing, Warranty Service (PO Box 466 Lake Ozark, MO 65049). This notice must (a) describe the defect claimed to exist, (b) give your name as it appears on this warranty, (c) give the purchase date and the name and address of the contractor who installed the product, and (d) include proof of purchase along with photos.

**Inspection**

Madden Manufacturing shall be given a reasonable opportunity to inspect the alleged defect on the property, or it may require a sample of the installed material sent in, before any repair, refinishing or replacement is begun. Madden Manufacturing or its appointee shall perform its inspection within one hundred twenty (120) days after receiving notice of the claim unless prevented by weather or other causes not under its reasonable control in which case Madden Manufacturing will inspect within a reasonable time.

**Settlement**

If after inspection it is determined that your claim is covered by this warranty, Madden Manufacturing shall, at its option, either, (a) repair, (b) refinish or (c) replace those items found to have the defects warranted against or pay an amount in cash equivalent to the cost of the remedy elected by Madden Manufacturing based upon Madden Manufacturing reserves the right to discontinue any of its products or make any changes in any of items products or make any changes in any of its products during the term of this warranty. If the products covered by this warranty are not available, Madden Manufacturing shall have the right to substitute a product that, in Madden Manufacturing's sole discretion, is of equal quality or value. It is recognized that, in the event of such substitution, a perfect match may not always be possible. Your rights under this warranty shall end when Madden Manufacturing makes a repair, refinishing, replacement or payment under this warranty.

**Limitations**

Madden Manufacturing cannot be responsible of damages from causes outside of its control. The following are samples of external causes of product failure which are not manufacturing defects and which are not covered by this warranty:

- (a) Normal weathering: normal weathering is defined as exposure to sunlight and extremes of weather and atmosphere which will cause any colored or painted surface to gradually fade, chalk or suffer an accumulation of surface dirt, stains or fungus. The severity of any of these conditions depends upon the geographical location of your home, the cleanliness of the air in your area and many other local influences over which Madden Manufacturing has no control:
- (b) Damage caused by faulty or improper installation or application of the handrail, or settlement, distortion, or warping.
- (c) Earthquake, hurricane, tornado, cyclone, gale, lightning, fire, acts of God, flood, wind-borne objects, ice, or weather of a catastrophic nature as defined by the United States Weather Bureau:
- (d) Damage caused by atmospheric pollution, acid rain, salt spray, and other harmful chemicals, fumes or vapors directly applied to the handrail or in the atmosphere:
- (e) Lap abrasion, vandalism, misuse, physical abuse, riot, insurrection or civil disorder:
- (f) Negligence in, or failure to provide, reasonable and necessary maintenance of the handrail to prevent an accumulation of surface dirt, chalk, staining, salt, mildew or fungus.

**BRIEFLY, WE ASSUME THE RESPONSIBILITY ONLY FOR DAMAGES WHICH ARE CAUSED BY MANUFACTURING DEFECTS IN OUR PRODUCT. MADDEN MANUFACTURING SHALL NOT BE RESPONSIBLE FOR ANY INJURIES TO PERSONS OR DAMAGES TO PURCHASER'S PREMISES OR THE CONTENTS THEREIN NOR FOR INCIDENTAL, SPECIAL OR CONSEQUENTIAL DAMAGES. NO DISTRIBUTOR, DEALER, CONTRACTOR OR APPLICATOR IS AUTHORIZED TO OBLIGATE MADDEN MANUFACTURING IN ANY MANNER EXCEPT TO AUTHENTICATE THE ISSUANCE OF THIS WARRANTY.**

**Documentation of Issuance**

In the event of a claim under this warranty, you agree to supply adequate and reasonable proof upon Madden Manufacturing's request that you are the person to whom the warranty was originally issued.