

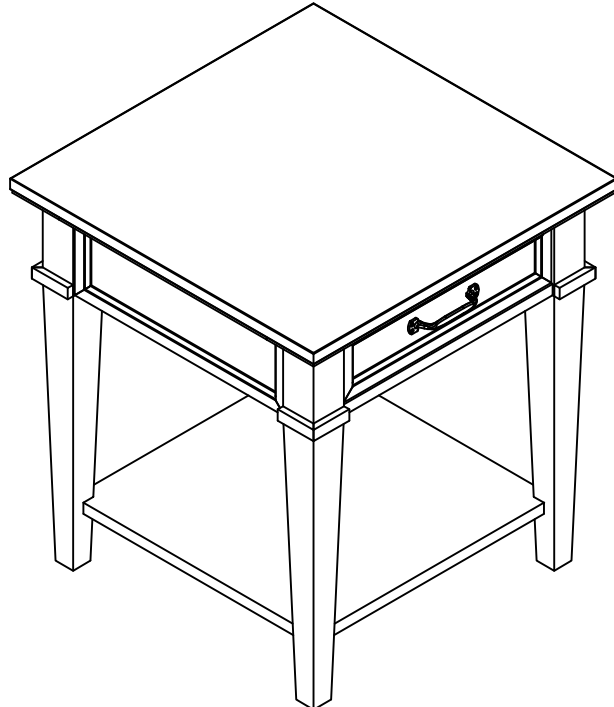
HOME DECORATORS COLLECTION

HDC#97152 MFG#M61267T4-IV/M61267T4-BL
MARTIN END TABLE

ASSEMBLY INSTRUCTIONS

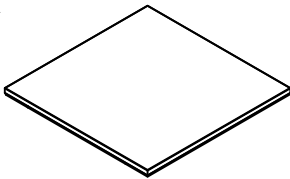
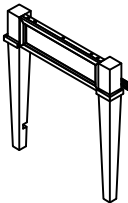
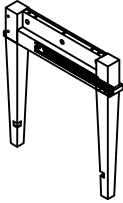
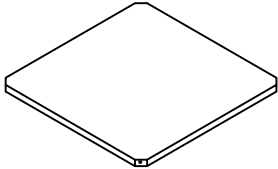
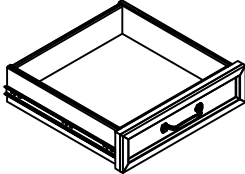
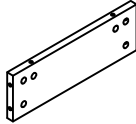
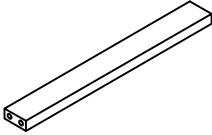
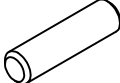
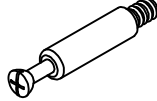
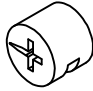
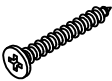
NOTE: BEFORE ASSEMBLY, PLEASE BE SURE TO WORK ON A SOFT
FLAT SURFACE TO AVOID ANY DAMAGE TO THE FINISH

Made In China

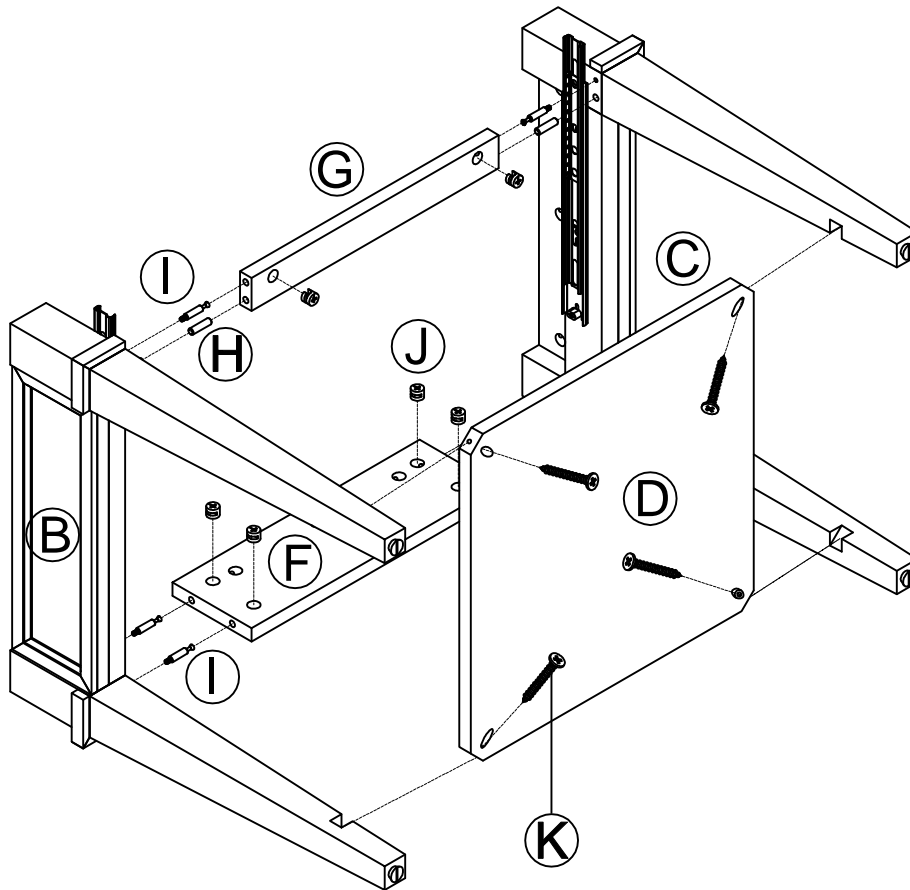


Thank you for purchasing this quality product. Be sure to check all packing material carefully for small parts, which may have come loose inside the carton during shipment, Count all parts and material hardware, then compare with parts list to be sure all parts are present. If any parts are missing or damaged, phone, fax, or mail to our Customer Service Department for efficient and speedy service . Please indicate the model number and code letter of part(s) needed.

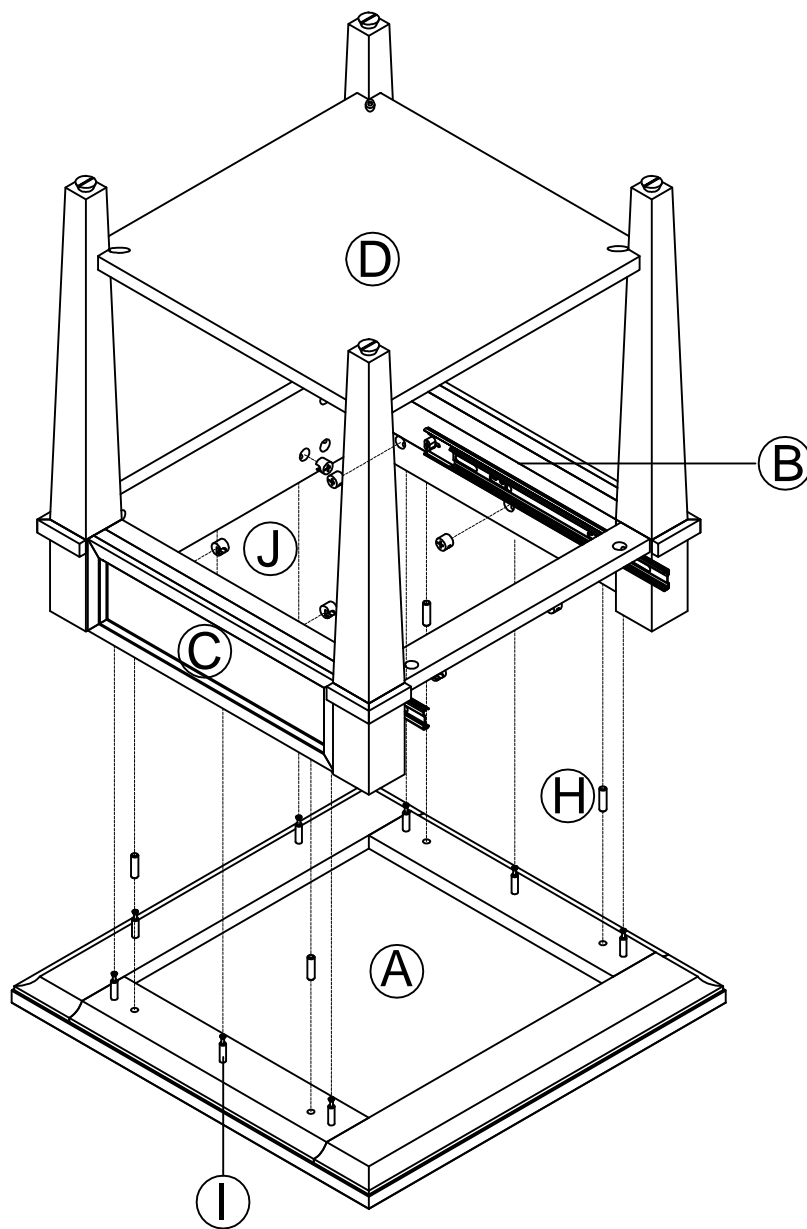
IMPORTANT NOTE: Follow instructions listed below in proper sequence as numbered to assure fast, easy and correct assembly.

PARTS LIST		
A  TOP PANEL-1PC	B  LEFT SIDE FRAME-1PC	C  RIGHT SIDE FRAME-1PC
D  SHELF-1PC	E  DRAWER-1PC	F  BACK PANEL-1PC
G  FRONT RAIL-1PC	H  D8*30 WOOD DOWELS-6PCS	I  D15 CAM BOLTS-14PCS
J  D15 CAM LOCKS-14PCS	K  M3.5*30 SCREWS-4PCS	

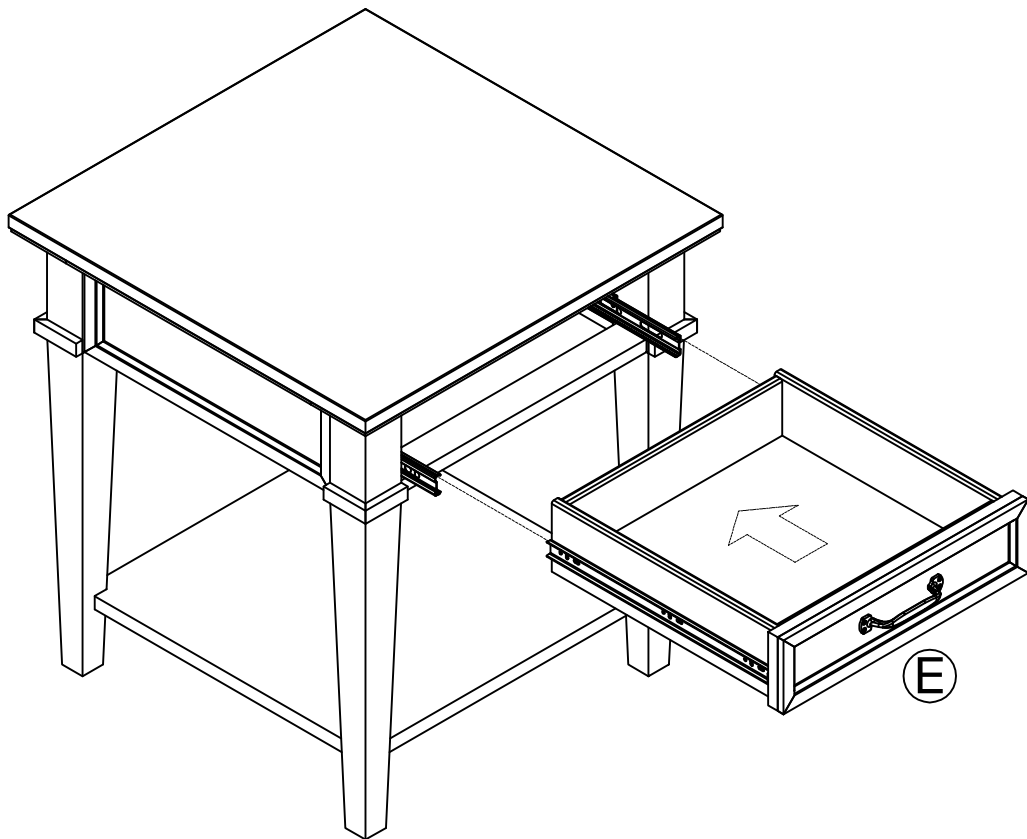
NOTE: THE SURFACE WITH THE STICKER IS THE BACK SIDE.



1). CONNECT LEFT SIDE FRAME (B), RIGHT SIDE FRAME (C), BACK PANEL (F), FRONT RAIL (G) AND SHELF (D) WITH WOOD DOWELS (H), CAM BOLTS (I), CAM LOCKS (J) AND SCREWS (K) BY USING SCREWDRIVER (NOT PROVIDED).



2). ATTACH LEG FRAME (B & C) TO TOP PANEL (A) WITH WOOD DOWELS(H), CAM BOLTS (I) AND CAM LOCKS (J) BY SCREWDRIVER (NOT PROVIDED).



3). INSERT DRAWER (E) INTO THE UNIT.