

FEATURES

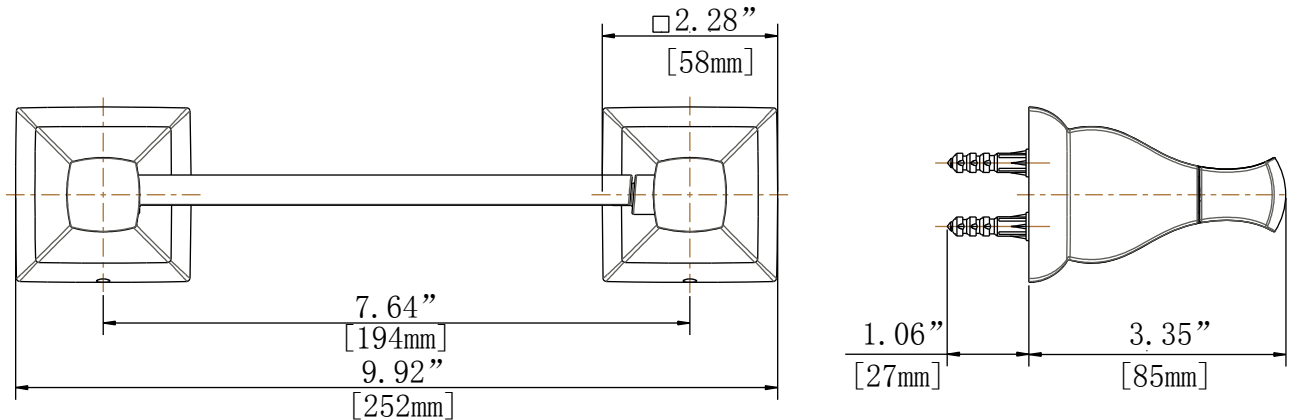
- 9.92"L x 2.28"W x 3.35"H
- Coordinates with Milner Series Bath Products
- Easy Installation
- Includes Mounting Hardware and Plastic Anchors
- Tools Required for Installation:
 - Drill with 1/4" Drill Bit
 - Philips Screwdriver
 - Small Flat Head Screwdriver

**Milner Series
Classic Collection**

Pivoting Tissue Holder

MODEL	FINISH
20120-2001	Chrome Polished
20120-2004	Brushed Nickel PVD

Available for purchase or special order at Home Depot stores.



INSTALLATION DIMENSIONS

Glacier Bay reserves the right to make changes in specifications and materials and to change and discontinue models, both without notice or obligation. Dimensions are for reference only.