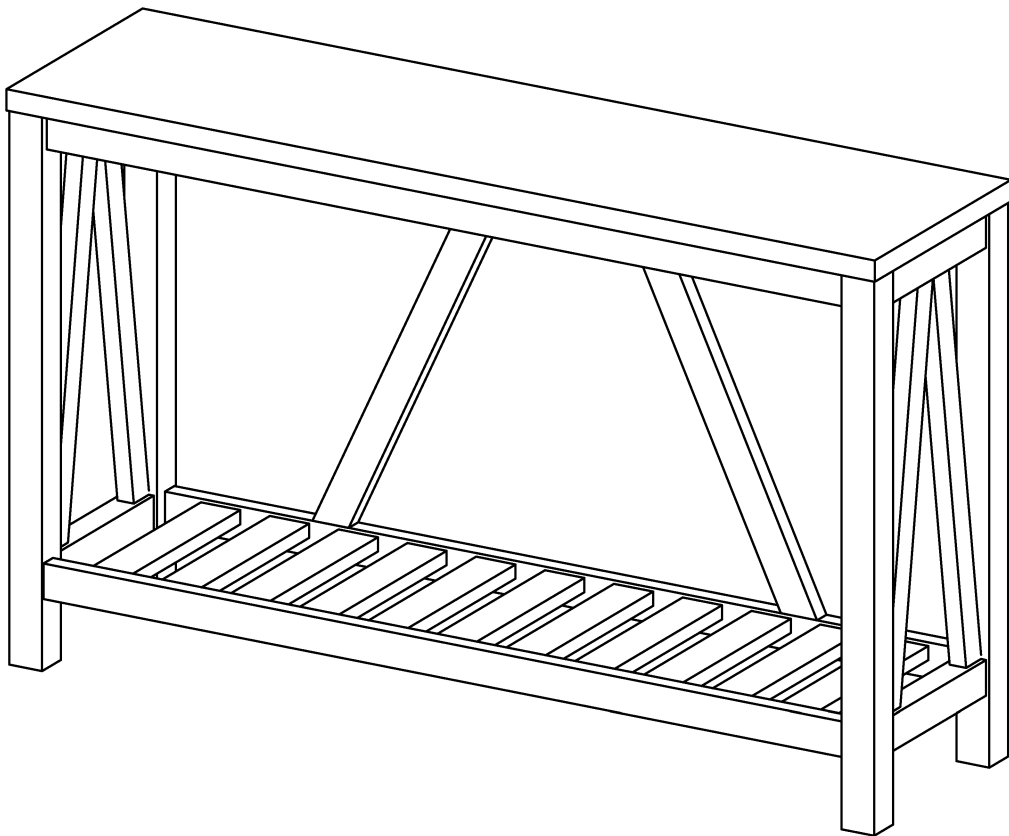


Item # : AF52AFTM  
Assembly Instructions

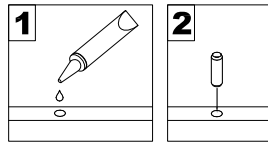


*Please visit our website for the most current instructions, assembly tips, report damage, or request parts. [www.walkeredison.com](http://www.walkeredison.com)*

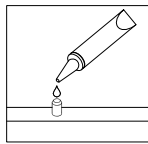
Revised 04/2017

# General Assembly Guidelines

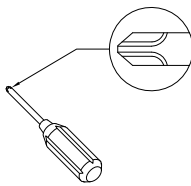
- I. Ensure that all parts and hardware are available before beginning assembly.
- II. Follow each step carefully to ensure the proper assembly of this product.
- III. Two people are recommended for ease in the assembly of this product.
- IV. The three main types of hardware used to assemble this product are : wood dowels , screws and bolts.
- V. The provided glue is to secure wood dowels in place . When first inserting dowels , locate the appropriate hole for the dowel , place a small amount of glue in the hole and insert the dowel . Wipe away excess glue immediately.



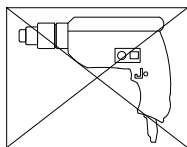
In future assembly steps when dowels are necessary to attach assembly parts together , place a small amount of glue on the end of the dowel before attaching parts together . Wipe away excess glue immediately.



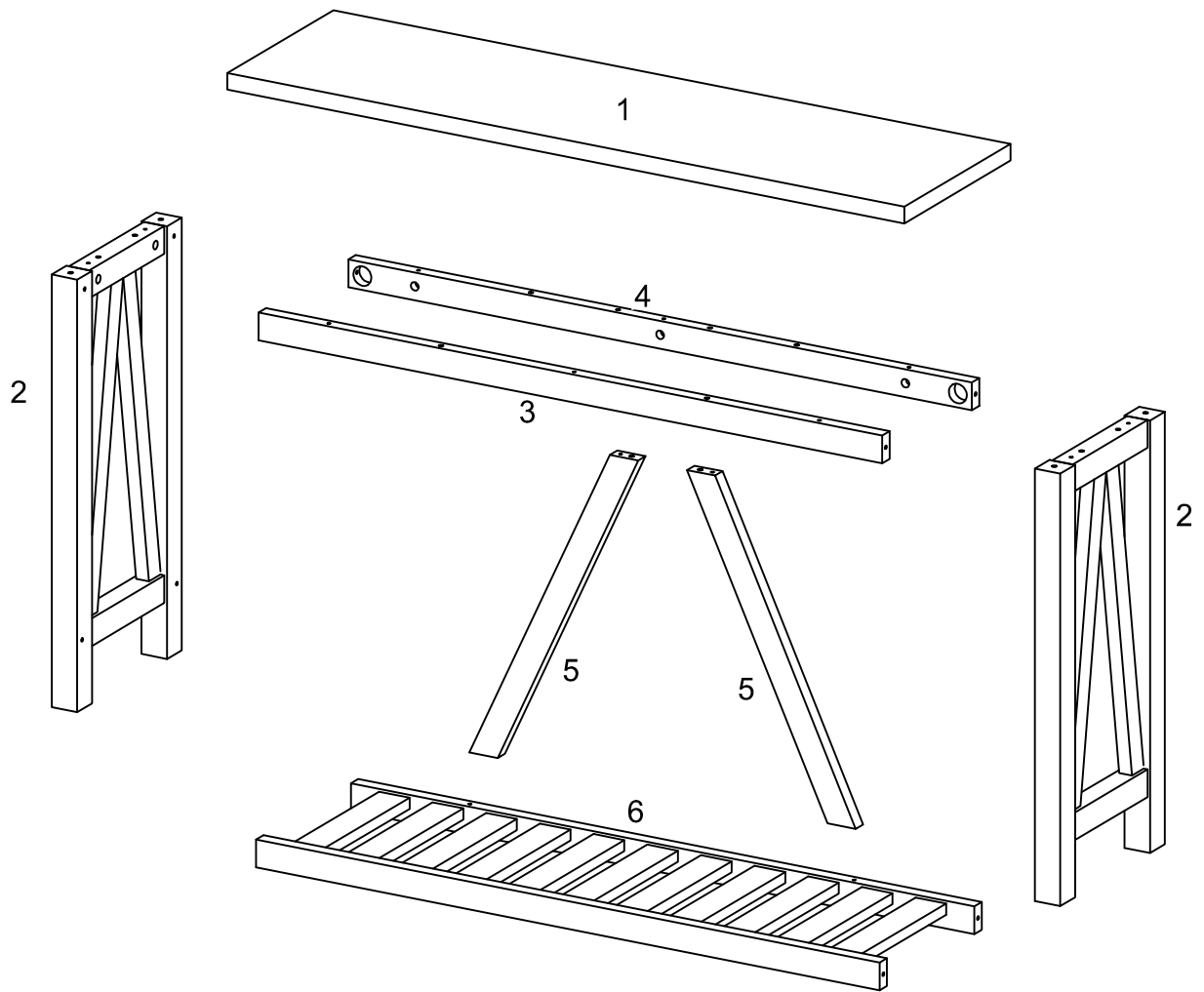
- VI. A Phillips head screwdriver is required for the assembly of this product .




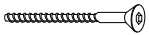
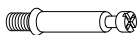

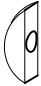


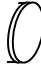




- VII. Power tools should not be used to assemble this product .

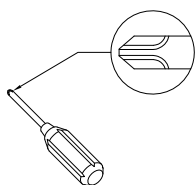


# Parts List



# Hardware List

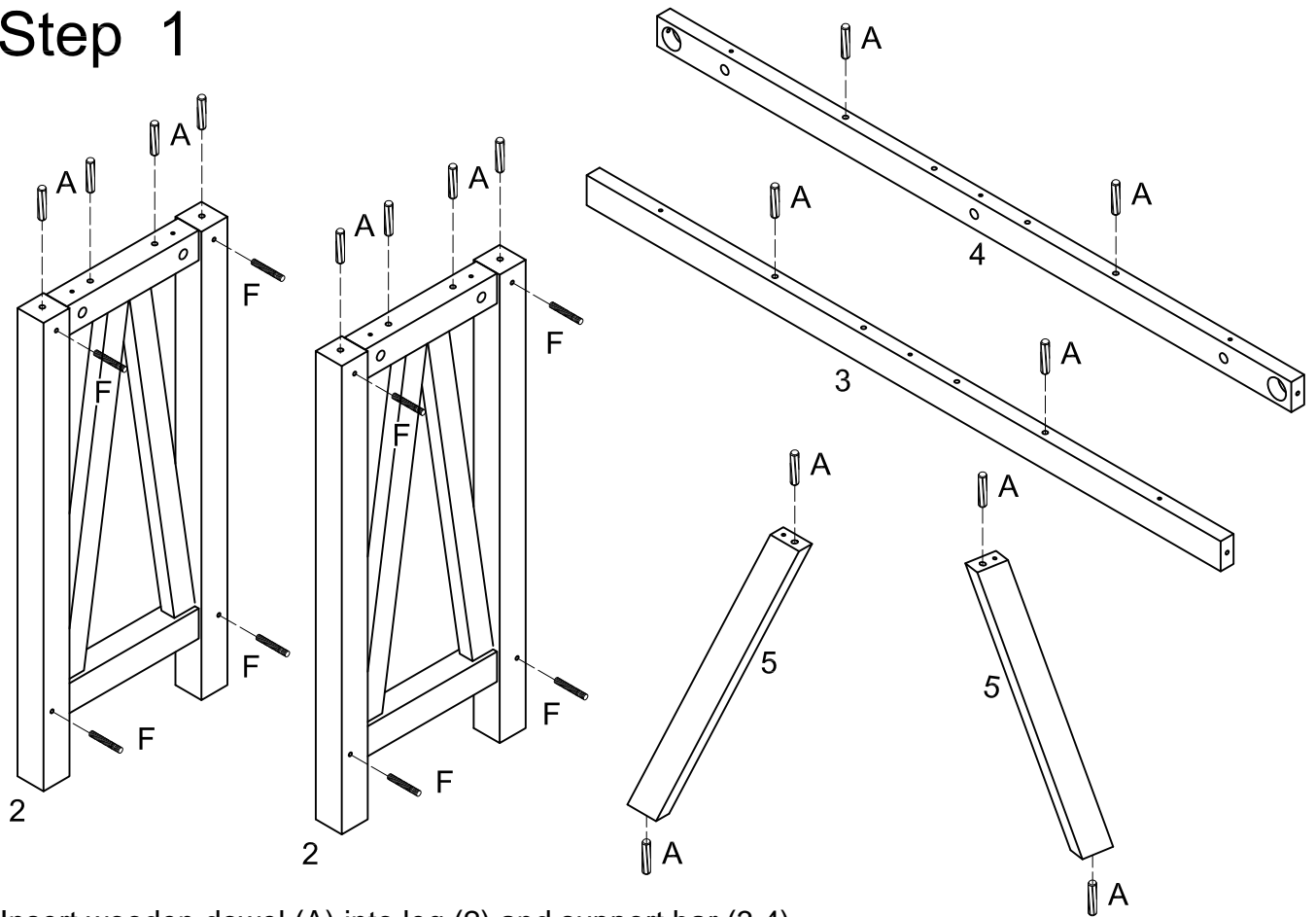
A		Ø8x30mm	Wooden dowel	16 pcs
B		Ø7x50mm	Bolt	4 pcs
C		Ø6x35mm	Cam bolt	10 pcs
D		Ø15x11mm	Cam lock	10 pcs
E			Cam lock	8 pcs
F		M8x60mm	Cam bolt	8 pcs
G		M8	Nut	8 pcs
H		Ø38mm	Plastic cover	8 pcs
J		Ø30mm	Sticker	10 pcs
K		M13	Wrench	1 pc
L		M4	Wrench	1 pc
M			Glue tube	1 pc



Philips head screwdriver required for assembly  
(not included)

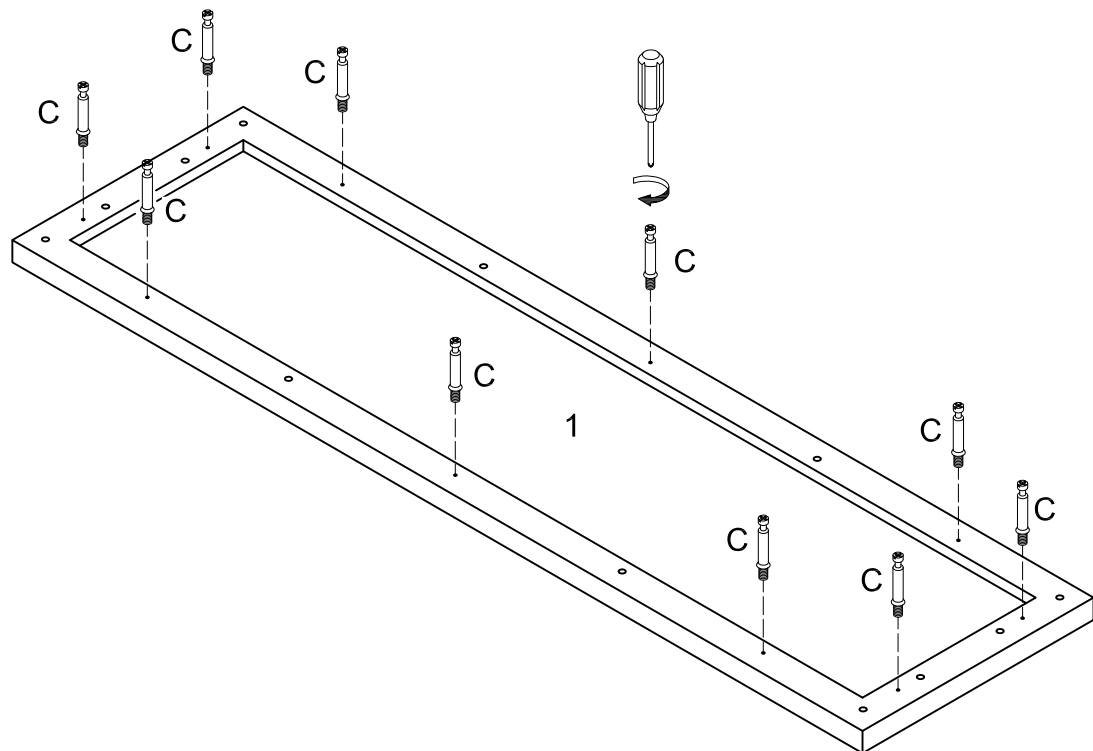
*The hardware quantities listed above are required for proper assembly.  
Some extra hardware may also have been included.*

# Step 1



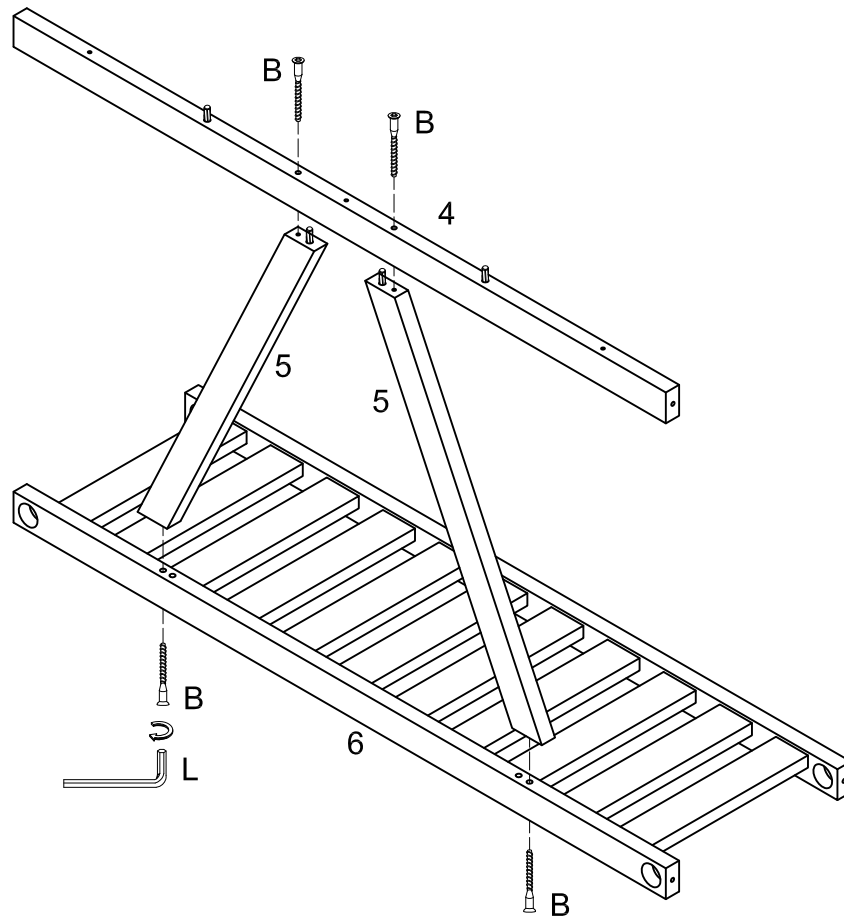
Insert wooden dowel (A) into leg (2) and support bar (3,4).

# Step 2



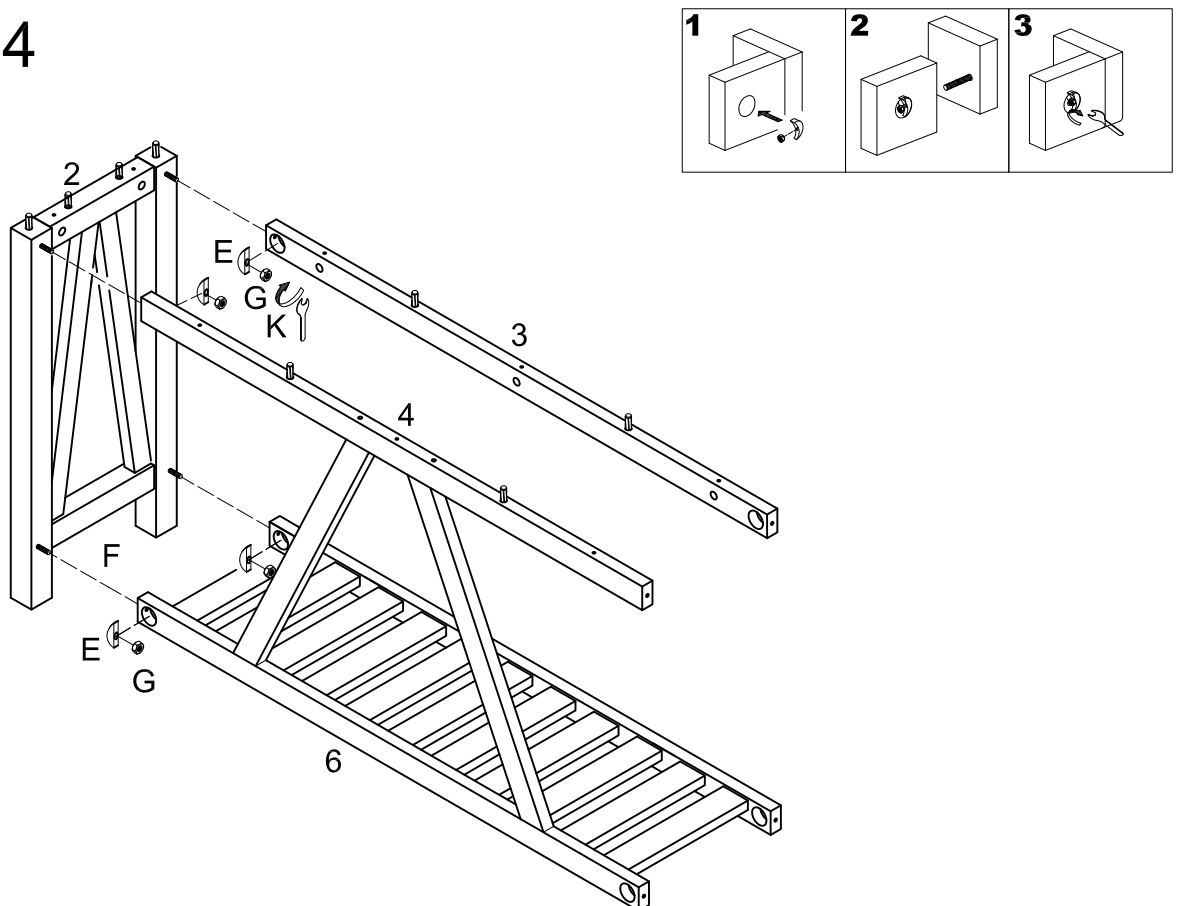
Secure cam bolt (C) to top panel (1).

# Step 3

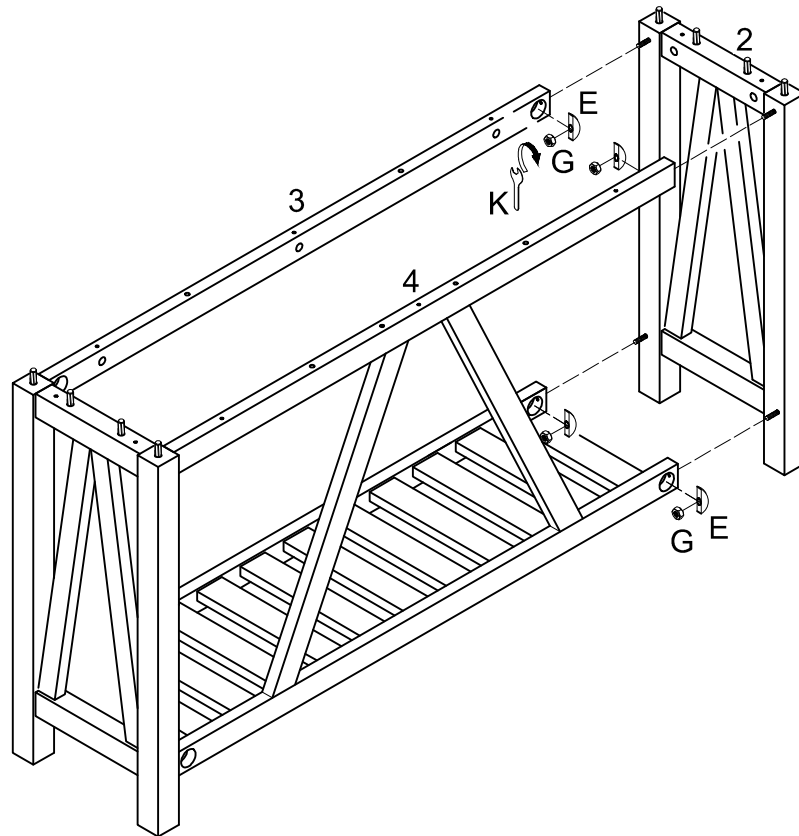


Use wrench (L) to secure cross bar (5) to support bar (4) and bottom shelf (6).

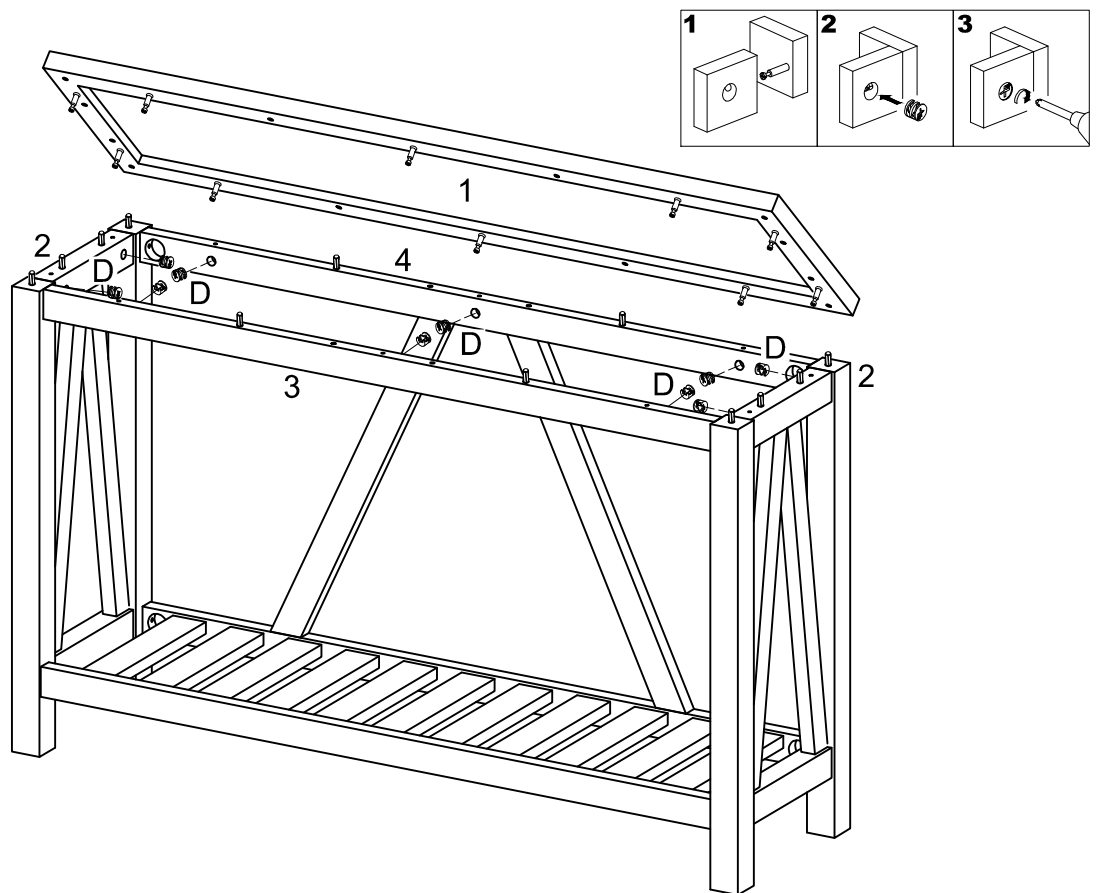
# Step 4



# Step 5

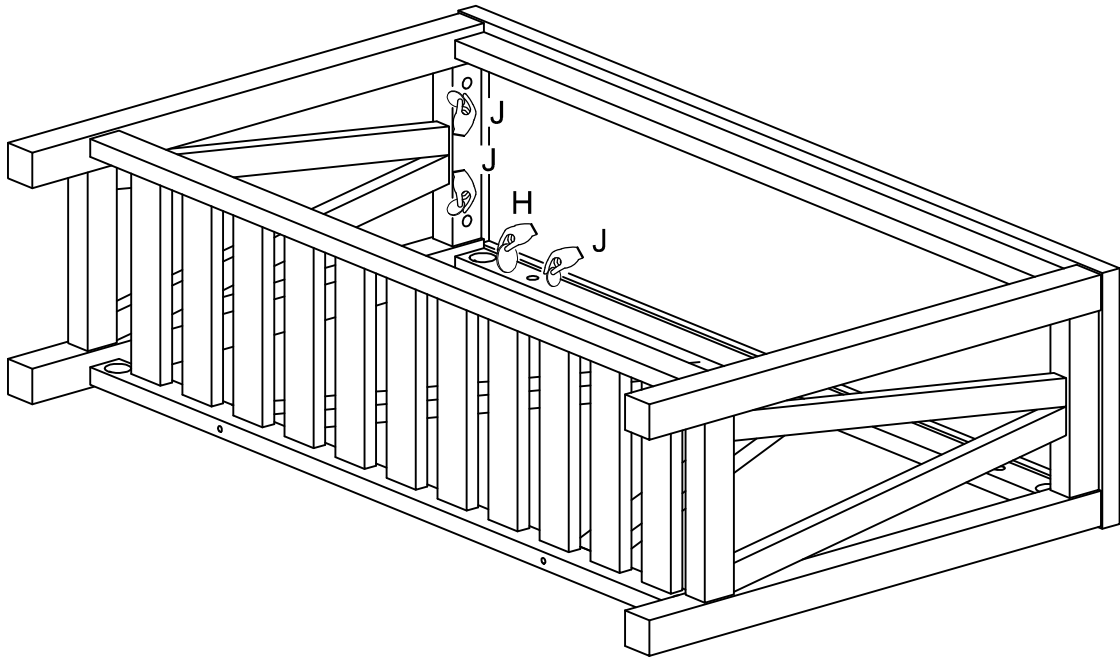


# Step 6



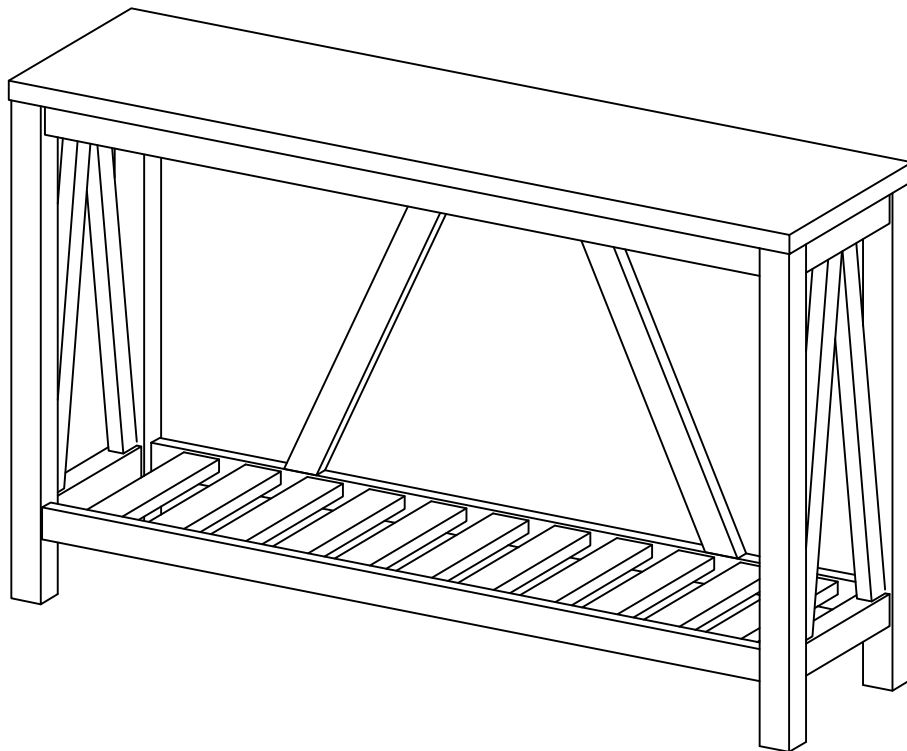
Insert top panel (1) into leg (2) and support bar (3,4), then insert and secure cam lock (D) to leg (2) and support bar (3,4) to lock it.

## Step 7



Place sticker (J) and plastic cover (H) over holes as per diagram.

## Step 8



## Final Assembly