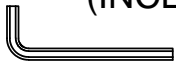


Models: RT236, RCT236, RRT236, RBT236

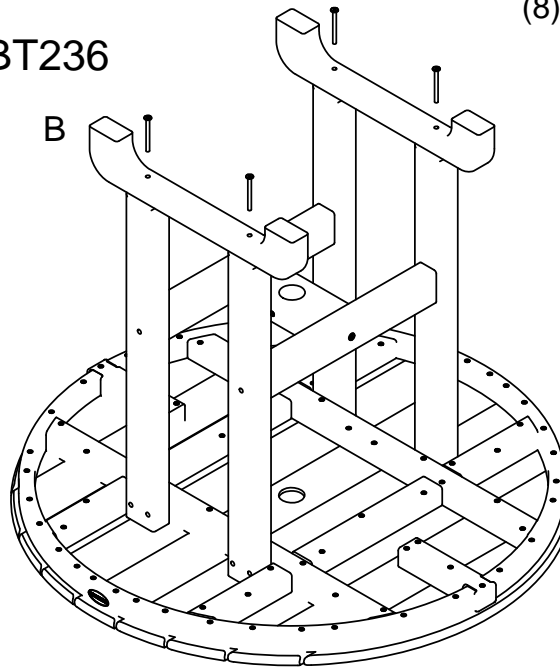
- (1) Table top
- (4) Leg
- (2) Foot
- (2) Brace
- (1) Umbrella Brace
- (1) Hardware pack

TOOLS NEEDED

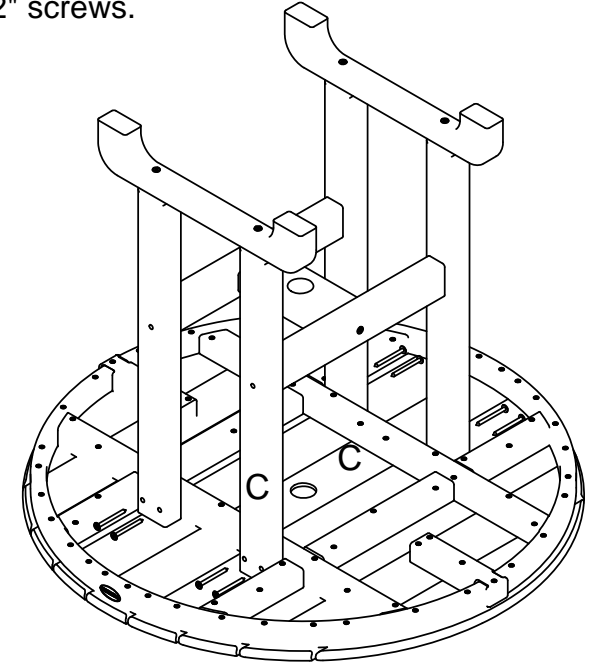
4mm HEX KEY, ALLEN
(INCLUDED)



Step 1
Attach feet to legs using
(4) 2 1/2" Chair bolts (*fine thread*)



Step 2
Lay the table top on a flat surface.
Attach the leg assemblies to the table top using
(8) 2 1/2" screws.



Step 3
Attach leg braces using
(4) 3" screws

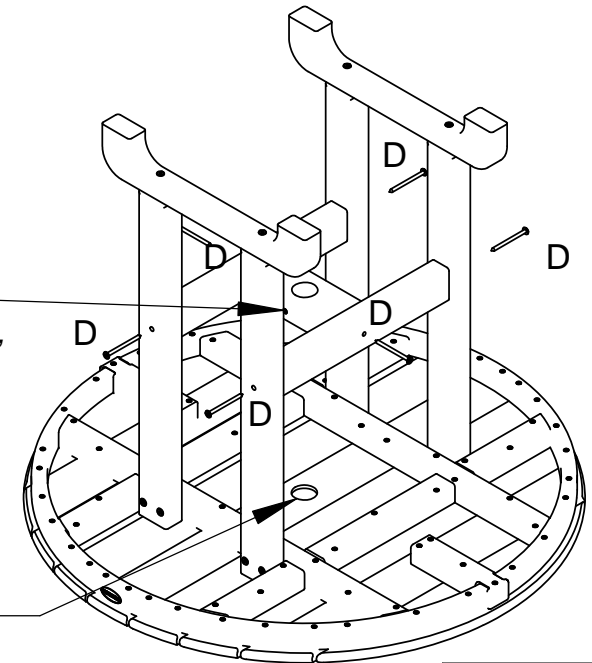
Attach umbrella brace to
the leg braces using (2) 3" screws.

Install 1 1/2" bolt into threaded insert on
the umbrella brace.

**Please note: umbrella support optional,
can be removed if necessary to fit
umbrella stand*

Step 4
Set table upright and tighten all bolts

Removable table plug
included in table.



Qty. Description

| | |
|---|--|
| 1 | A - 1/4-20 X 1-1/2 WAFER SHCS FINE THREAD |
| 4 | B - 1/4-20 X 2-1/2 WAFER SHCS FINE THREAD |
| 8 | C - .27 X 2-1/2 WAFER SOCKET "A" |
| 6 | D - .27 X 3 WAFER SOCKET "A" |