



Battery Operated Carbon Monoxide Alarm

Part Number 9CO5

Model KN-COB-B

Battery Operated (3AA's included)

Provides protection during power outage.

Red Alarm LED

Green Power LED

Test/Reset

Tests CO alarm circuit operation and allows you to immediately silence the alarm.

Snap Open Cover

Gives immediate access to batteries.

Alerts user to replace CO alarm after 7 years of operation



Description

The Kidde 9CO5 battery operated carbon monoxide alarm utilizes sophisticated electronic components to protect you and your family from the dangers of carbon monoxide. This alarm includes a snap-on cover that gives immediate access to the batteries and a safety feature that makes it difficult to close the cover without the batteries being installed. This easy-to-install alarm is suitable for all living areas and has a 7-year life and a 5-year limited warranty.

Consumer Benefits

The Kidde 9CO5 provides you and your family with a loud warning signal against the dangers of elevated carbon monoxide levels in your home. The battery operated CO alarm provides continuous monitoring of CO levels, even during power outages when AC-only units are not providing protection.

Features and Benefits

- **Battery Operated (3AA's included)** – Provides protection during power outage.
- **Battery Lockout System** – Deters covering battery compartment without installation of batteries.
- **Snap Open Cover** – Gives immediate access to batteries.
- **Test/Reset Button**
 - Tests the unit for proper operation
 - Resets the Carbon Monoxide Alarm
- **Low Battery Signal** – Alerts user when the battery needs to be replaced.
- **Green LED** – Flashes every 30 seconds to indicate the unit is operating properly. The green LED will also flash before a CO reading is taken and when any button is pressed.
- **Red LED** – When a dangerous level of carbon monoxide is detected the red LED will pulse and a loud alarm pattern will sound. The carbon monoxide alarm pattern is 4 short beeps, followed by 5 seconds of silence, followed by 4 short beeps with a corresponding red LED flash. This cycle will continue for 4 minutes and then change to 1 cycle every minute until the device is reset or the CO is eliminated.



Architectural and Engineering Specifications

The carbon monoxide alarm shall be Kidde Unit Number KN-COB-B (part number 9CO5) or approved equal. It shall be powered by three (3) AA batteries (included). The unit shall have a snap open cover that allows immediate access to batteries. The temperature operating range shall be between 40°F and 100°F (4°C and 38°C) and the humidity operating range shall be 5% - 95% relative humidity.

The CO sensor shall be of a fuel cell design and shall meet the sensitivity requirements of Underwriters Laboratories UL2034 Single and Multiple Station Carbon Monoxide Alarms.

The alarm can be installed on the surface of any wall or ceiling following the UL/NFPA/Manufacturer's recommended placement guidelines. The alarm shall include a battery lockout system that deters closure of battery door without using three batteries.

The alarm shall include a test button that will electronically simulate the presence of CO and cause the unit to go into alarm. This sequence tests the unit's electronics to ensure proper operation.

Per UL 2034 requirements, the CO sensor will not alarm to levels of CO below 30 ppm and will alarm in the following time range when exposed to the corresponding levels of CO.

70 ppm CO Concentration	60 – 240 minutes
150 ppm CO Concentration	10 – 50 minutes
400 ppm CO Concentration	4 – 15 minutes

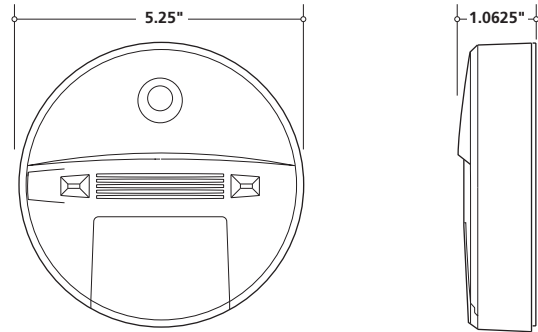
The unit shall incorporate 2 LED's. A green LED will flash once every 30 seconds to indicate the alarm is operating properly when power is present. A red LED will pulse to indicate carbon monoxide has been detected until the device is reset or CO is eliminated.

The alarm shall include a piezoelectric horn that is rated at 85 decibels at 10 feet. When the unit detects carbon monoxide, the alarm pattern will be four (4) short beeps – followed by five (5) seconds of silence – followed by four (4) short beeps with a corresponding red LED flash.

It shall also include a 5-year manufacturer's limited warranty.

Technical Specifications

Part Number:	9CO5
Model:	KN-COB-B
Power Source:	3 AA Batteries
Sensor:	Electrochemical
Audio Alarm:	85dB at 10ft
Temperature Range:	40°F (4.4°C) to 100°F (37.8°C)
Humidity Range:	5%-95% relative humidity (RH)
Size:	5.25" diameter x 1.0625" depth
Weight:	.5lb
Wiring:	None
Interconnects:	No
Warranty:	5 year limited



Ordering Information

Clamshell UPC: 0-25417-69129-0 **Bulk UPC:** 0-47571-05292-9

Part Number	1 of 5	Pack Quantity	Dimensions (w x d x h inches)	Weight	Case/Skid	Skid Weight
9CO5**	N/A	Individual	7.5 x 2 x 11	.5lb	N/A	N/A
9CO5-02	100 25417 69129 7	PDQ (3 units)	8 x 6.25 x 11.25	2lbs	105	680lbs
21006672	400 25417 69129 8	Cut Case (8 units)	8 x 17.7 x 11.25	4lbs	36	144lbs
21006249	N/A	Bulk Pack (6 units)	6.4 x 12 x 6.8	3lbs	105	315lbs

**Not for sale by individual unit



1016 Corporate Park Drive
Mebane NC 27302
1-800-880-6788
www.Kidde.com

Distributed by: