

# 88 5523 503

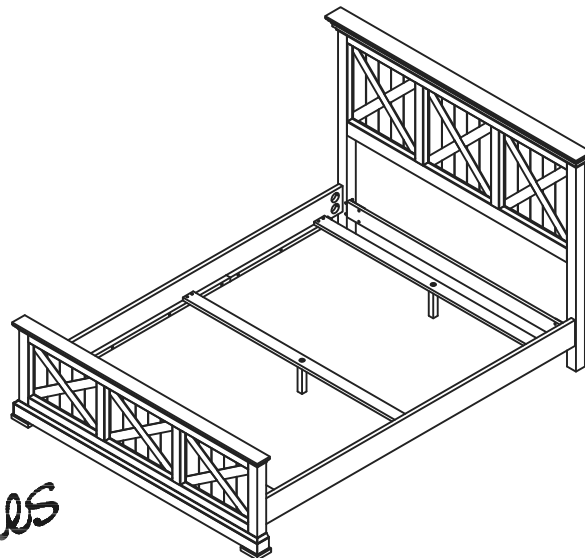
## Queen Bed Rails

### IMPORTANT NOTE

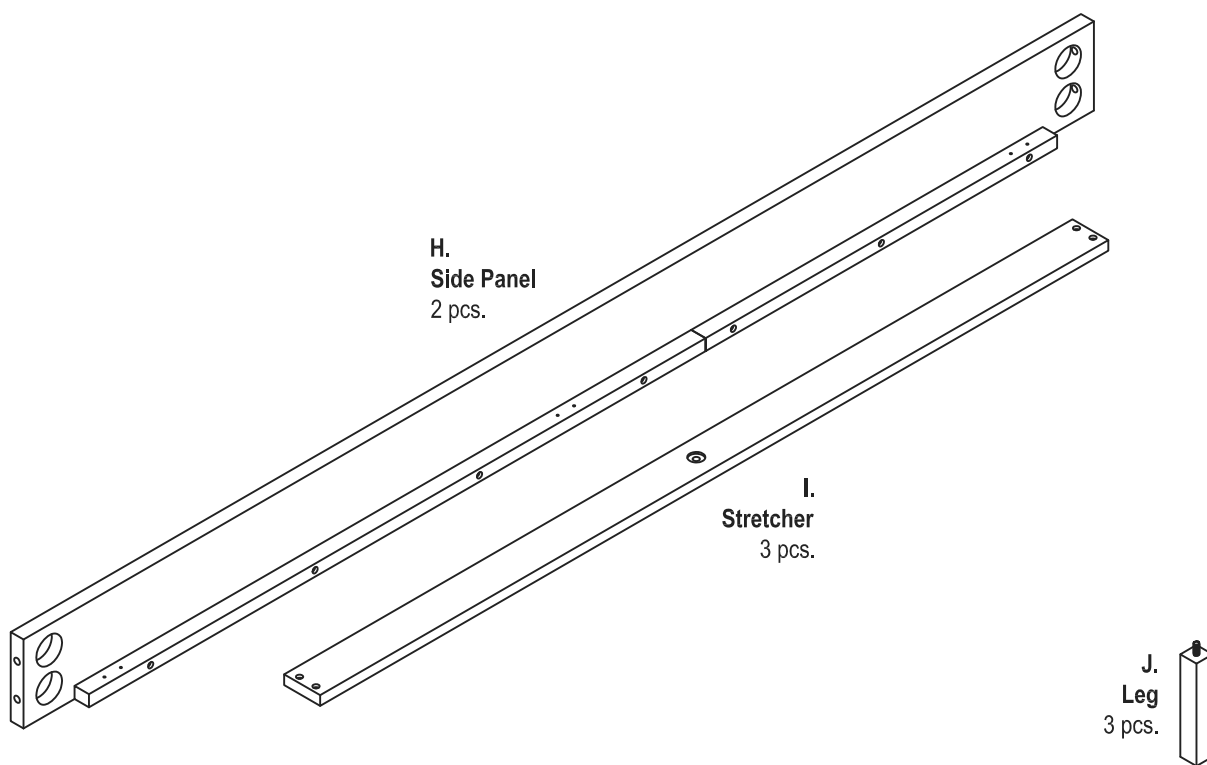
Carefully remove all the parts from the carton and put them individually on a soft cloth to prevent scratches or other damage occurring to the parts.

We have taken great care in the design of this product and request that you carefully and strictly follow our assembly instructions to ensure a completed product as it was designed.

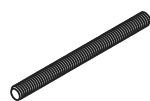
*Home Styles*



## Part List



## Hardware List



(5/16"x3 5/32")  
Bolt  
8 pcs. (+1 extra)



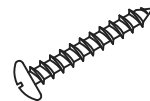
Square Washer  
8 pcs. (+1 extra)



Nut  
8 pcs. (+1 extra)



Wrench  
1 pc.



(M4x25)  
Wood Screw  
12 pcs. (+1 extra)

Also need the Parts and Hardware in cartons 88 5523 501 and 502

Tools Required For Assembly : Phillips screwdriver

Tools Recommended For Assembly : Level

**Home Styles Consumer Assistance:** [www.homestyles-furniture.com](http://www.homestyles-furniture.com),  
[servicedesk@homestyles-furniture.com](mailto:servicedesk@homestyles-furniture.com), 888-680-7460, 877-831-0319

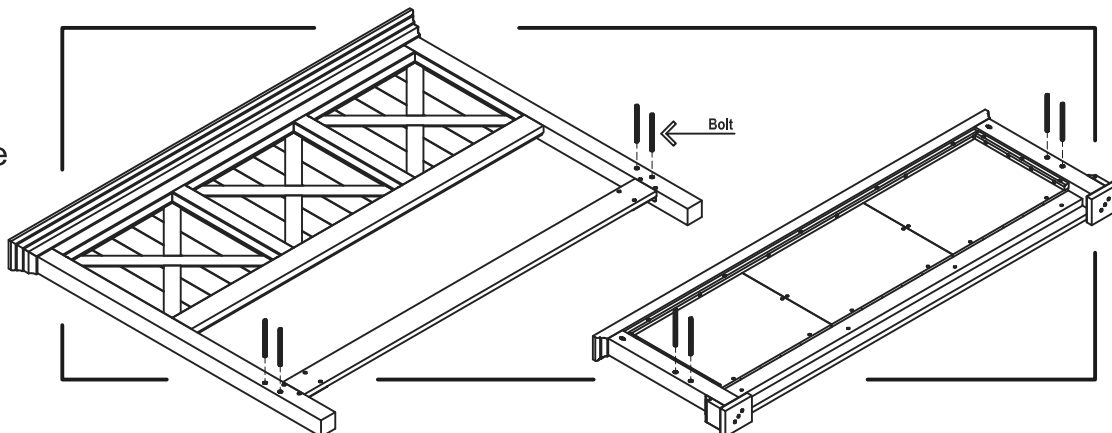
# Assembly Instructions 2/2

## IMPORTANT

- \* Do not tighten up all the bolts & screws until each part is properly assembled.
- \* You should keep Wrench in a safe place as you may need to tighten up the Nuts in the future.
- \* After assembly, item must be level to work properly. Use the included adjustable levellers to level.
- \* Use a soft cloth between these parts and the floor.

## STEP 1

Insert Bolts into the pre-drilled holes of Headboard and Footboard.



## STEP 2

Assemble Side Panels (H) to Headboard and Footboard using Square Washers and Nuts. Tighten all the Nuts with Wrench. (See Figure 1)

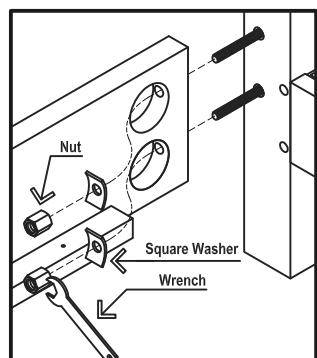
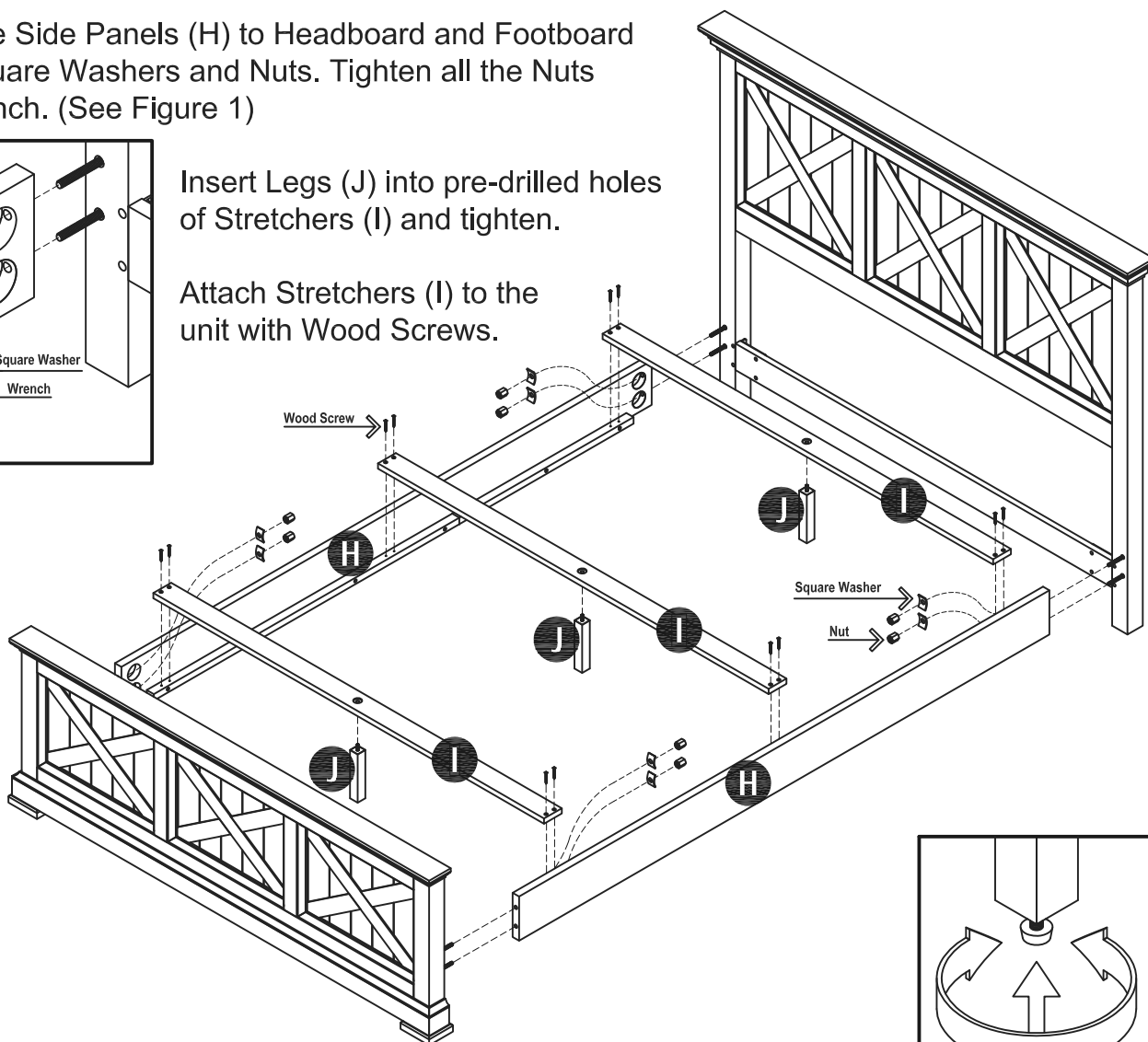


Figure 1

Insert Legs (J) into pre-drilled holes of Stretchers (I) and tighten.

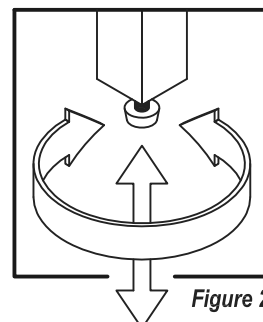
Attach Stretchers (I) to the unit with Wood Screws.



## STEP 3

To level the unit, adjust the adjustable levelers on the bottom of legs.

**Note: Unit must be level to work properly.** (See Figure 2)



# VERY IMPORTANT !!

## CARE INSTRUCTIONS

### NEVER

USE GLASS CLEANERS ON FINISHED FURNITURE. AMMONIA WILL CHEMICALLY ATTACK THE FINISH.

### NEVER

ALLOW LIQUIDS OF ANY KIND TO REMAIN ON THE FURNITURE. ABSORPTION CAUSES PART TO WARP AND SPLIT AND FINISHES TO DELAMINATE.

DO NOT WRITE DIRECTLY ON SURFACE.



**PREVENT MARKING**

DO NOT PLACE IN DIRECT SUNLIGHT.



**PREVENT FADING**

DO NOT USE COMMERCIAL WAXES AND POLISHES.



**PREVENT YELLOWING**

DO NOT PLACE HOT OBJECTS ON SURFACE.



**PREVENT FINISH DAMAGE**

DO NOT USE RUBBER BASED PLACE MATS.



**PREVENT DISCOLORING**

## TO CLEAN

USE A SOFT CLOTH MOISTENED IN LUKEWARM SOAP AND WATER, THEN BUFF WITH A DRY CLEAN CLOTH.



Home Styles will provide replacements free of charge for missing or damaged hardware or parts within 30 days of purchase. Digital images of the defective parts may be required. If this product was not purchased from an authorized retail affiliate, Home Styles is under no obligation to provide replacement parts. Parts are not available for fully assembled items nor are parts available for sale. Replacements for missing or damaged hardware or parts may be requested at:

[www.homestyles-furniture.com/customer\\_service](http://www.homestyles-furniture.com/customer_service)

**Home Styles Consumer Assistance:** [www.homestyles-furniture.com](http://www.homestyles-furniture.com),  
[servicedesk@homestyles-furniture.com](mailto:servicedesk@homestyles-furniture.com), 888-680-7460, 877-831-0319

# 88 5523 502

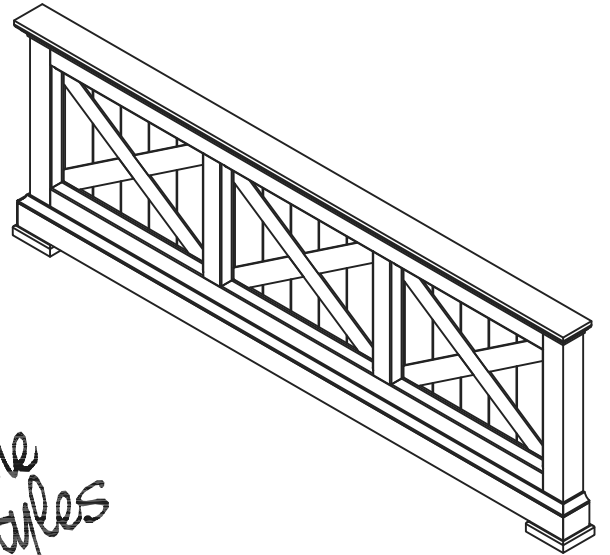
## Queen Footboard

### IMPORTANT NOTE

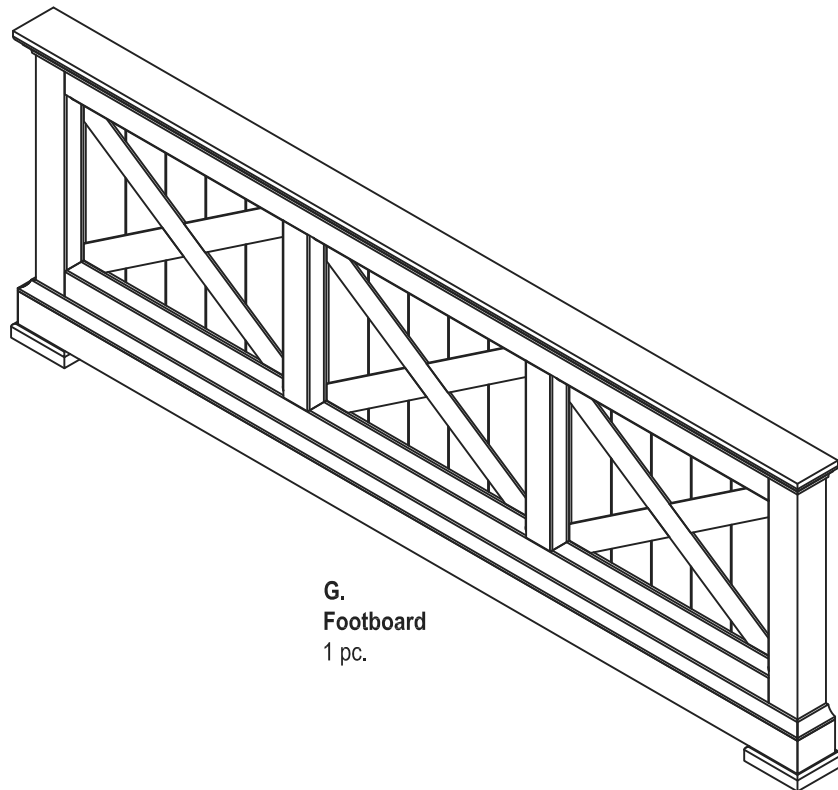
Carefully remove all the parts from the carton and put them individually on a soft cloth to prevent scratches or other damage occurring to the parts.

We have taken great care in the design of this product and request that you carefully and strictly follow our assembly instructions to ensure a completed product as it was designed.

*Home  
Styles*



## Part List

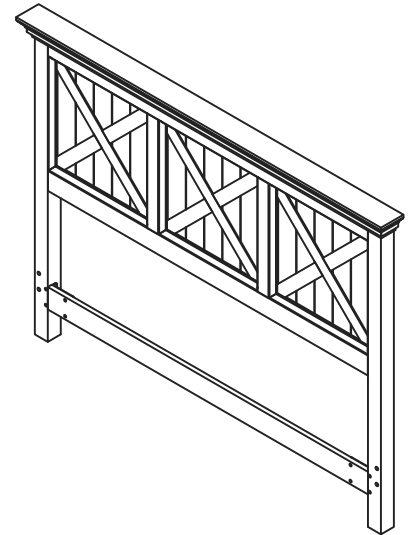


G.  
Footboard  
1 pc.

For assembly see instructions in carton 88 5523 503

**Home Styles Consumer Assistance:** [www.homestyles-furniture.com](http://www.homestyles-furniture.com),  
[servicedesk@homestyles-furniture.com](mailto:servicedesk@homestyles-furniture.com), 888-680-7460, 877-831-0319

# 88 5523 501 Queen Headboard



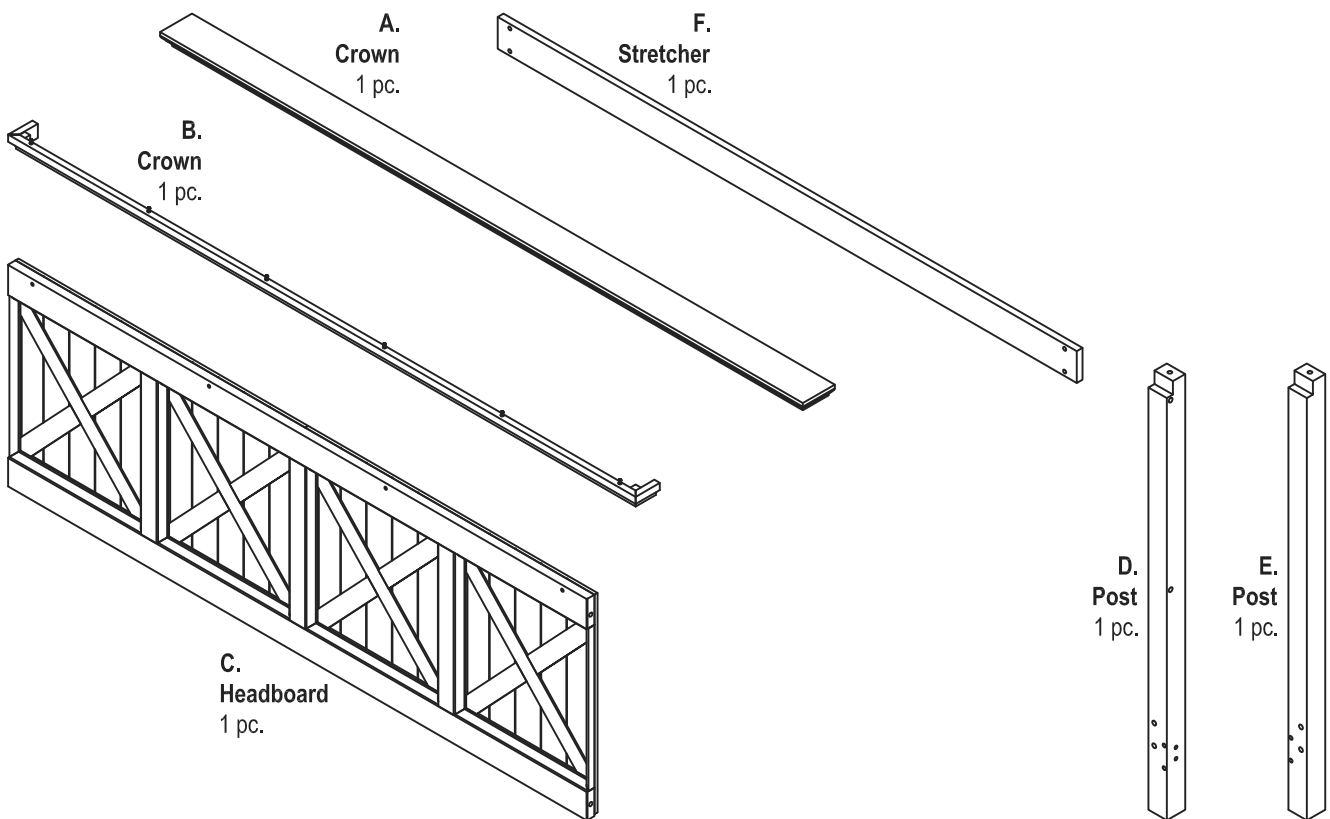
## IMPORTANT NOTE

Carefully remove all the parts from the carton and put them individually on a soft cloth to prevent scratches or other damage occurring to the parts.

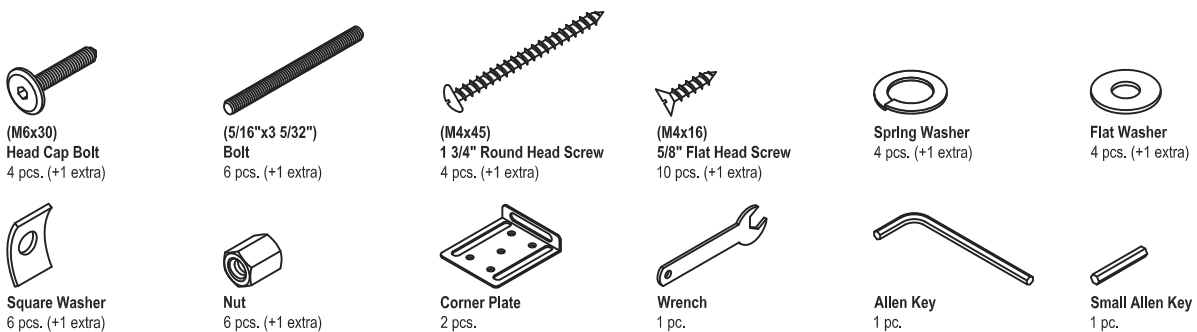
We have taken great care in the design of this product and request that you carefully and strictly follow our assembly instructions to ensure a completed product as it was designed.

*Home Styles*

## Part List



## Hardware List



Tools Required For Assembly : Phillips screwdriver

**Home Styles Consumer Assistance:** [www.homestyles-furniture.com](http://www.homestyles-furniture.com),  
[servicedesk@homestyles-furniture.com](mailto:servicedesk@homestyles-furniture.com), 888-680-7460, 877-831-0319

## IMPORTANT

- \* Do not tighten up all the bolts until each part is properly assembled.
- \* You should keep Wrench and Allen Key in a safe place as you may need to tighten up the Nuts and Head Cap Bolts in the future.
- \* Use a soft cloth between these parts and the floor.

## STEP 1

Attach Crown (B) to Crown (A).  
(See Figure 1)

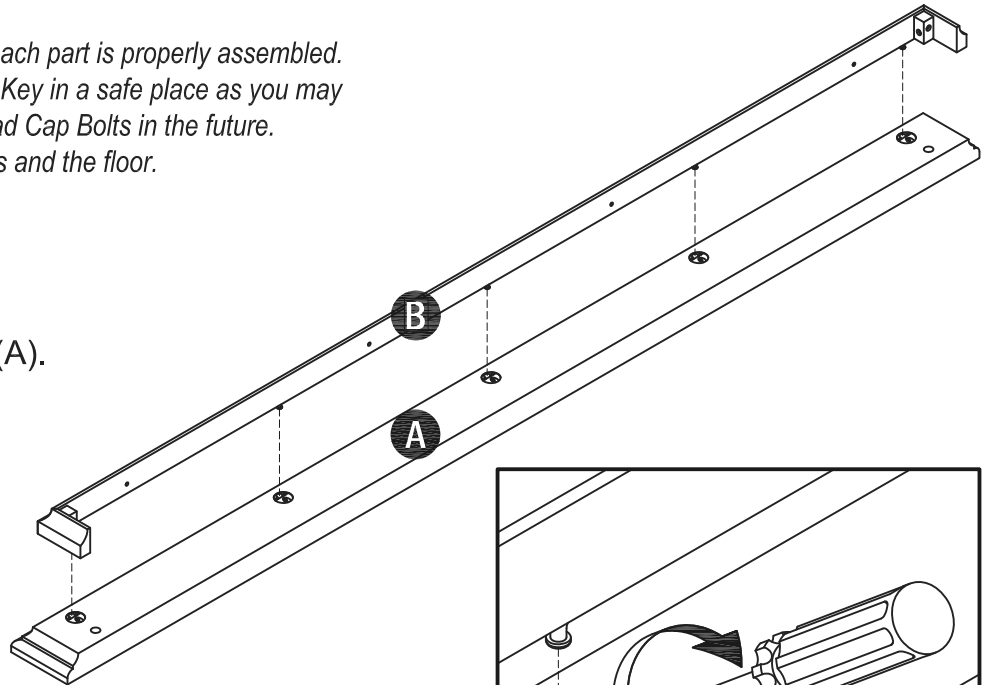
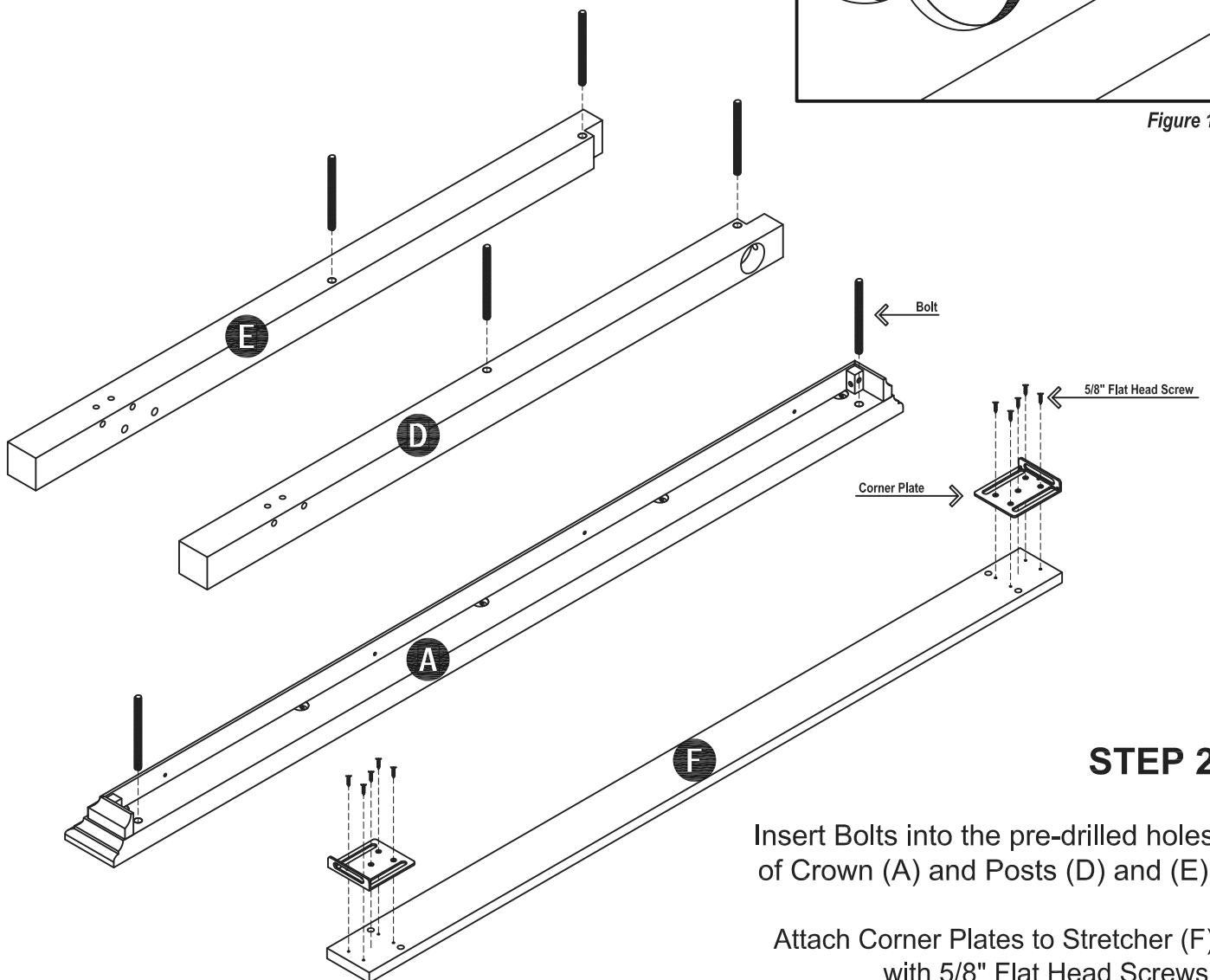


Figure 1



## STEP 2

Insert Bolts into the pre-drilled holes of Crown (A) and Posts (D) and (E).

Attach Corner Plates to Stretcher (F) with 5/8" Flat Head Screws.

## STEP 3

Attach Posts (D) and (E) to Headboard (C) with Square Washers and Nuts.

Tighten all Nuts with Wrench. (See Figure 2)

Attach Stretcher (F) to unit with Flat Washers, Spring Washers and Head Cap Bolts.

Tighten all Head Cap Bolts with Allen Key. (See Figure 3)

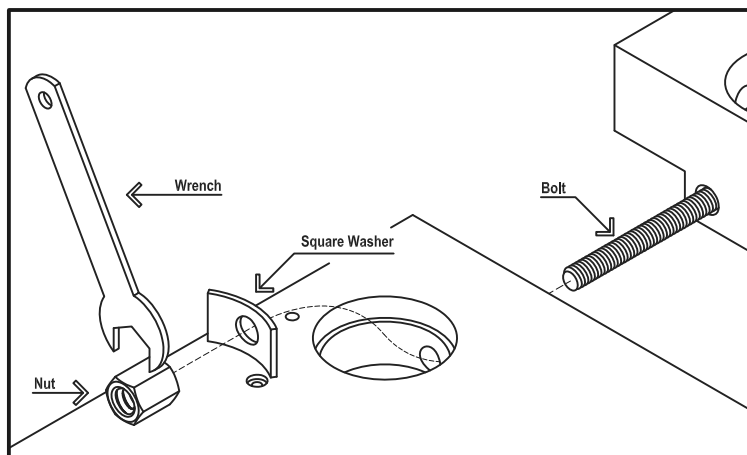
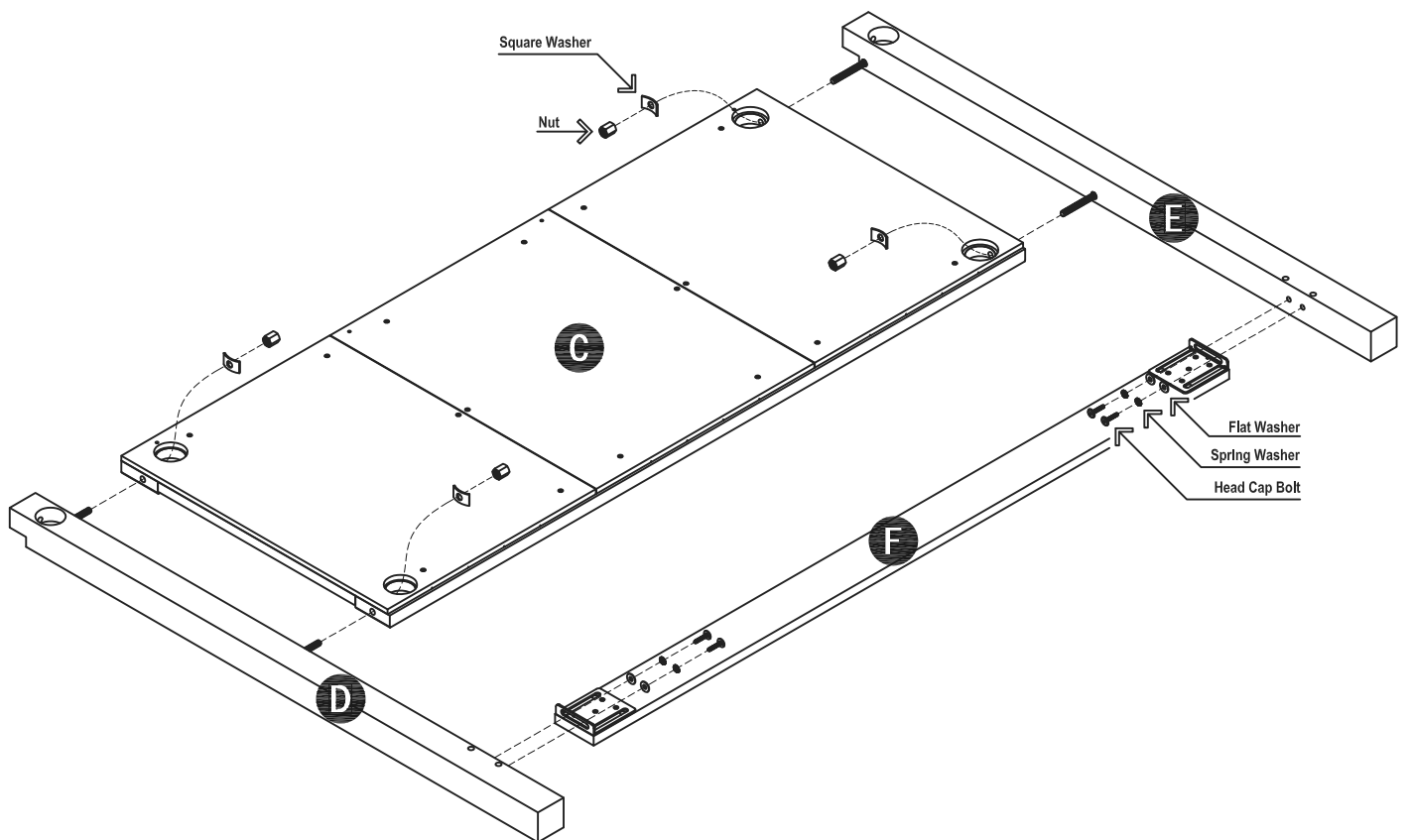


Figure 2

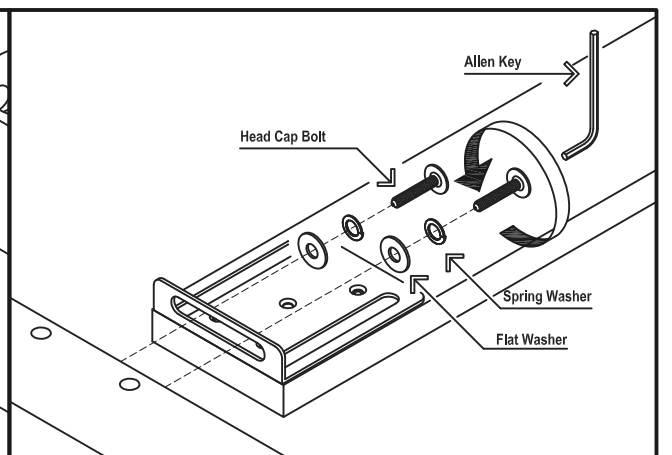
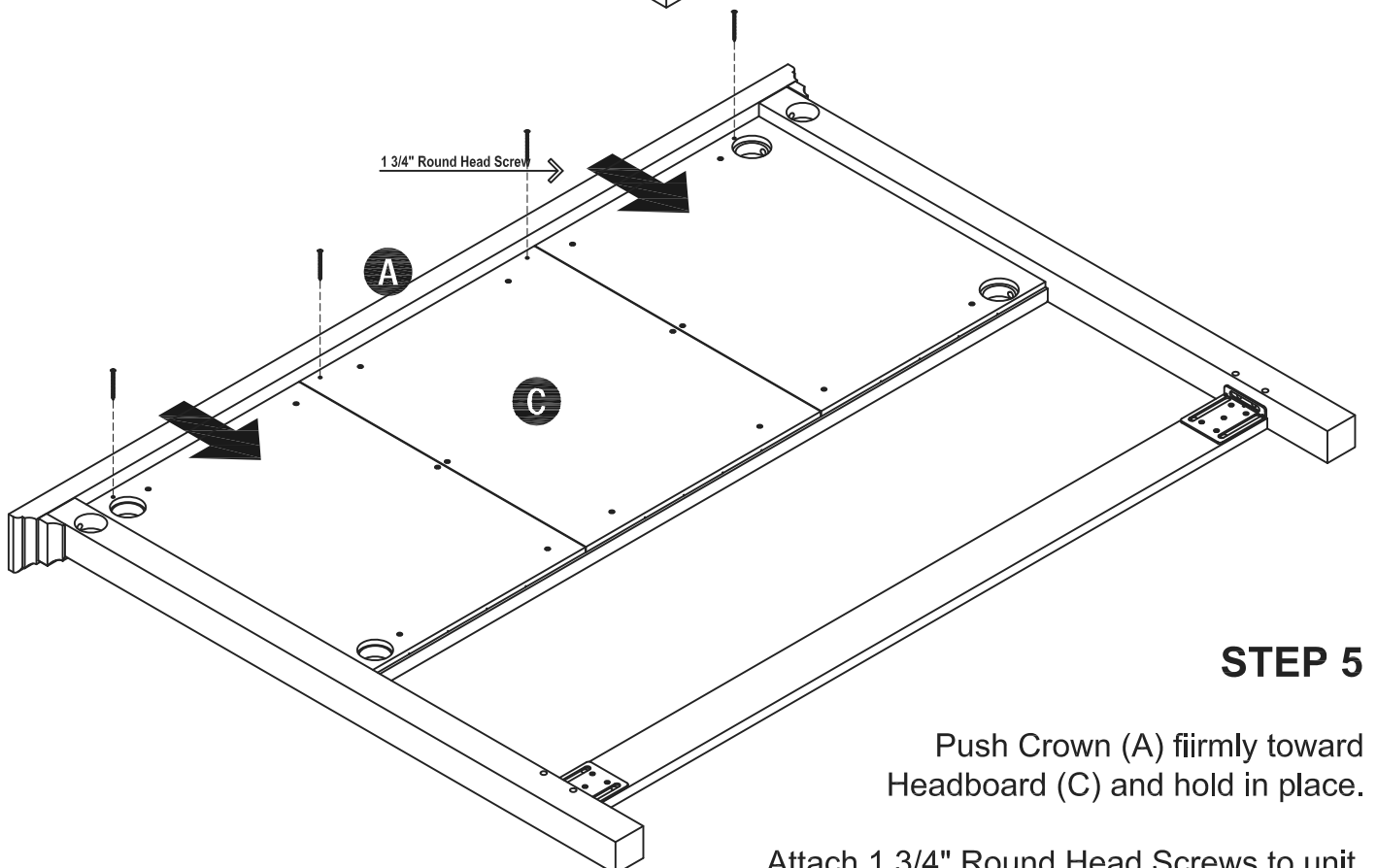
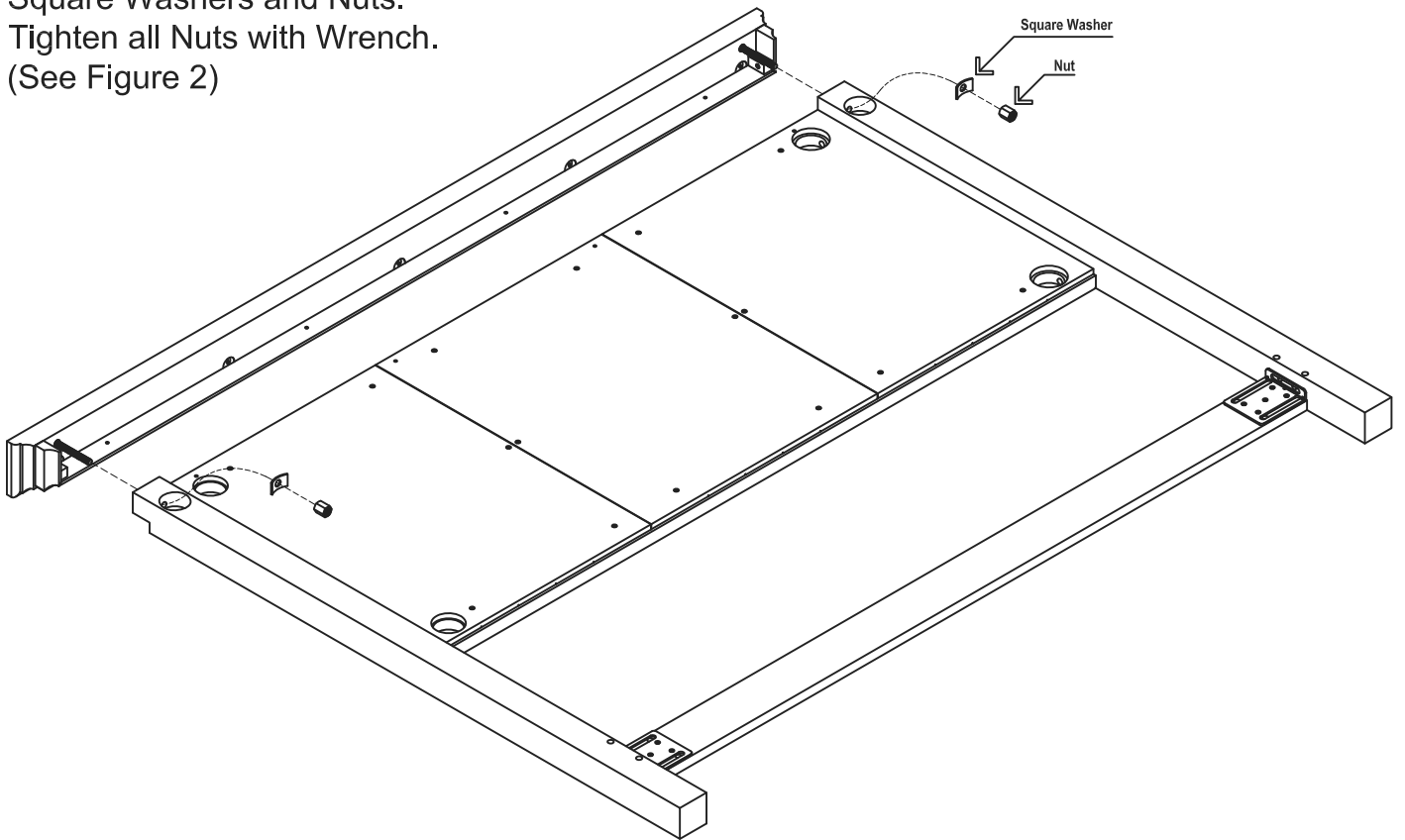


Figure 3

## STEP 4

Attach Crown (A) to unit from Step 3 with Square Washers and Nuts. Tighten all Nuts with Wrench. (See Figure 2)



## STEP 5

Push Crown (A) firmly toward Headboard (C) and hold in place.

Attach 1 3/4" Round Head Screws to unit.



# VERY IMPORTANT !!

## CARE INSTRUCTIONS

### NEVER

USE GLASS CLEANERS ON FINISHED FURNITURE. AMMONIA WILL CHEMICALLY ATTACK THE FINISH.

### NEVER

ALLOW LIQUIDS OF ANY KIND TO REMAIN ON THE FURNITURE. ABSORPTION CAUSES PART TO WARP AND SPLIT AND FINISHES TO DELAMINATE.

DO NOT WRITE DIRECTLY ON SURFACE.



**PREVENT MARKING**

DO NOT PLACE IN DIRECT SUNLIGHT.



**PREVENT FADING**

DO NOT USE COMMERCIAL WAXES AND POLISHES.



**PREVENT YELLOWING**

DO NOT PLACE HOT OBJECTS ON SURFACE.



**PREVENT FINISH DAMAGE**

DO NOT USE RUBBER BASED PLACE MATS.



**PREVENT DISCOLORING**

## TO CLEAN

USE A SOFT CLOTH MOISTENED IN LUKEWARM SOAP AND WATER, THEN BUFF WITH A DRY CLEAN CLOTH.

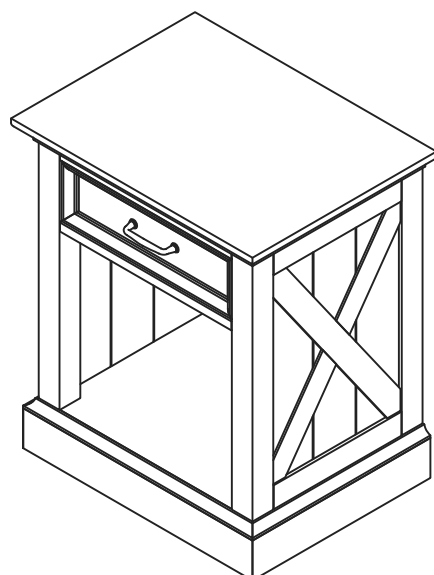


Home Styles will provide replacements free of charge for missing or damaged hardware or parts within 30 days of purchase. Digital images of the defective parts may be required. If this product was not purchased from an authorized retail affiliate, Home Styles is under no obligation to provide replacement parts. Parts are not available for fully assembled items nor are parts available for sale. Replacements for missing or damaged hardware or parts may be requested at:

[www.homestyles-furniture.com/customer\\_service](http://www.homestyles-furniture.com/customer_service)

**Home Styles Consumer Assistance:** [www.homestyles-furniture.com](http://www.homestyles-furniture.com),  
[servicedesk@homestyles-furniture.com](mailto:servicedesk@homestyles-furniture.com), 888-680-7460, 877-831-0319

# 88 5523 42 Night Stand



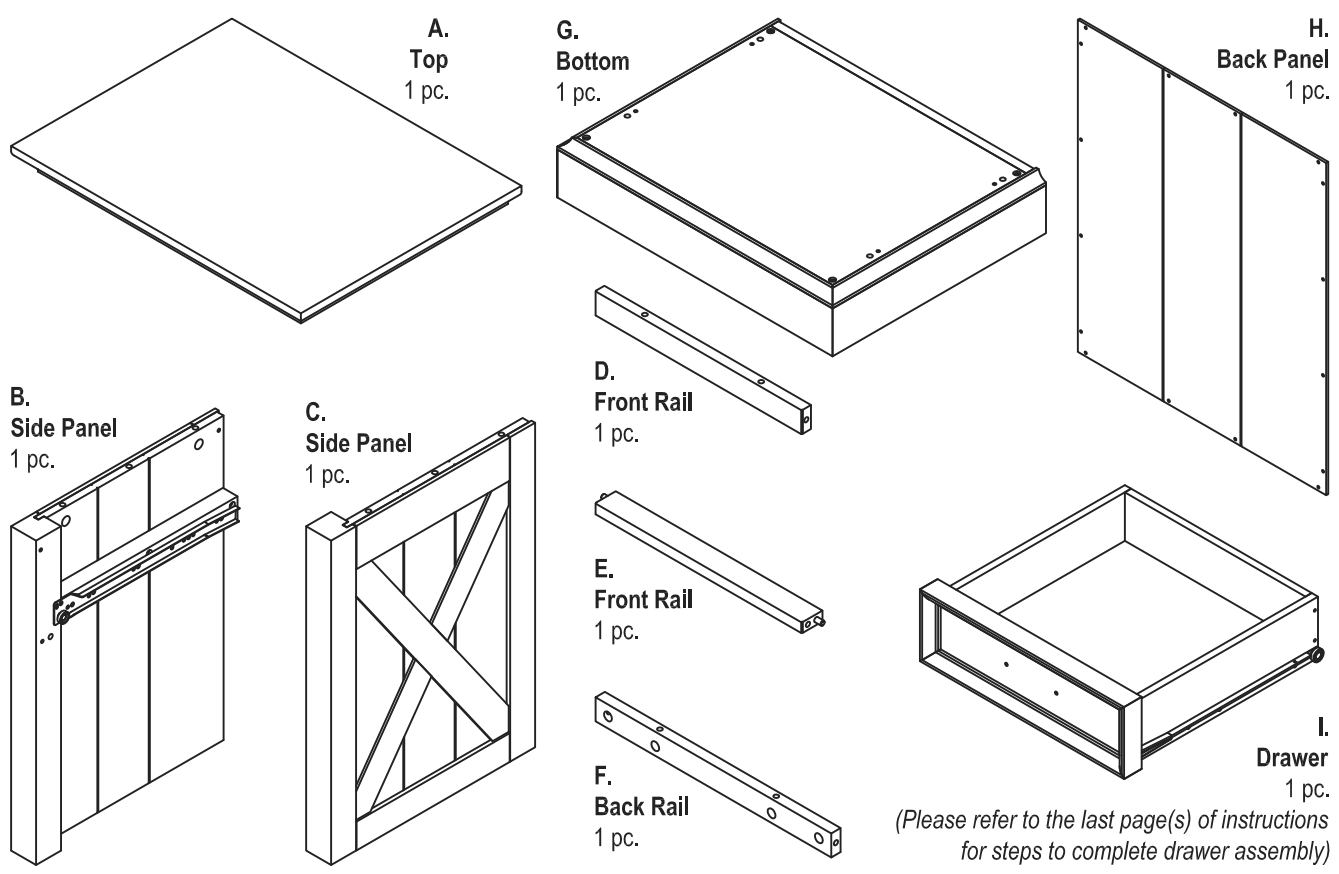
*Home  
Styles*

## IMPORTANT NOTE

Carefully remove all the parts from the carton and put them individually on a soft cloth to prevent scratches or other damage occurring to the parts.

We have taken great care in the design of this product and request that you carefully and strictly follow our assembly instructions to ensure a completed product as it was designed.

## Part List



## Hardware List



Tools Required For Assembly : Phillips screwdriver

Tools Recommended For Assembly : Level

**Home Styles Consumer Assistance:** [www.homestyles-furniture.com](http://www.homestyles-furniture.com),  
[servicedesk@homestyles-furniture.com](mailto:servicedesk@homestyles-furniture.com), 888-680-7460, 877-831-0319

## IMPORTANT

- \* Do not tighten up all the screws until each part is properly assembled.
- \* Use a soft cloth between these parts and the floor.
- \* After assembly, item must be level to work properly.  
Use the included adjustable levelers to level.

## STEP 1

Insert Cam Lock Screws into the pre-drilled holes of Top (A), Side Panels (B) and (C).

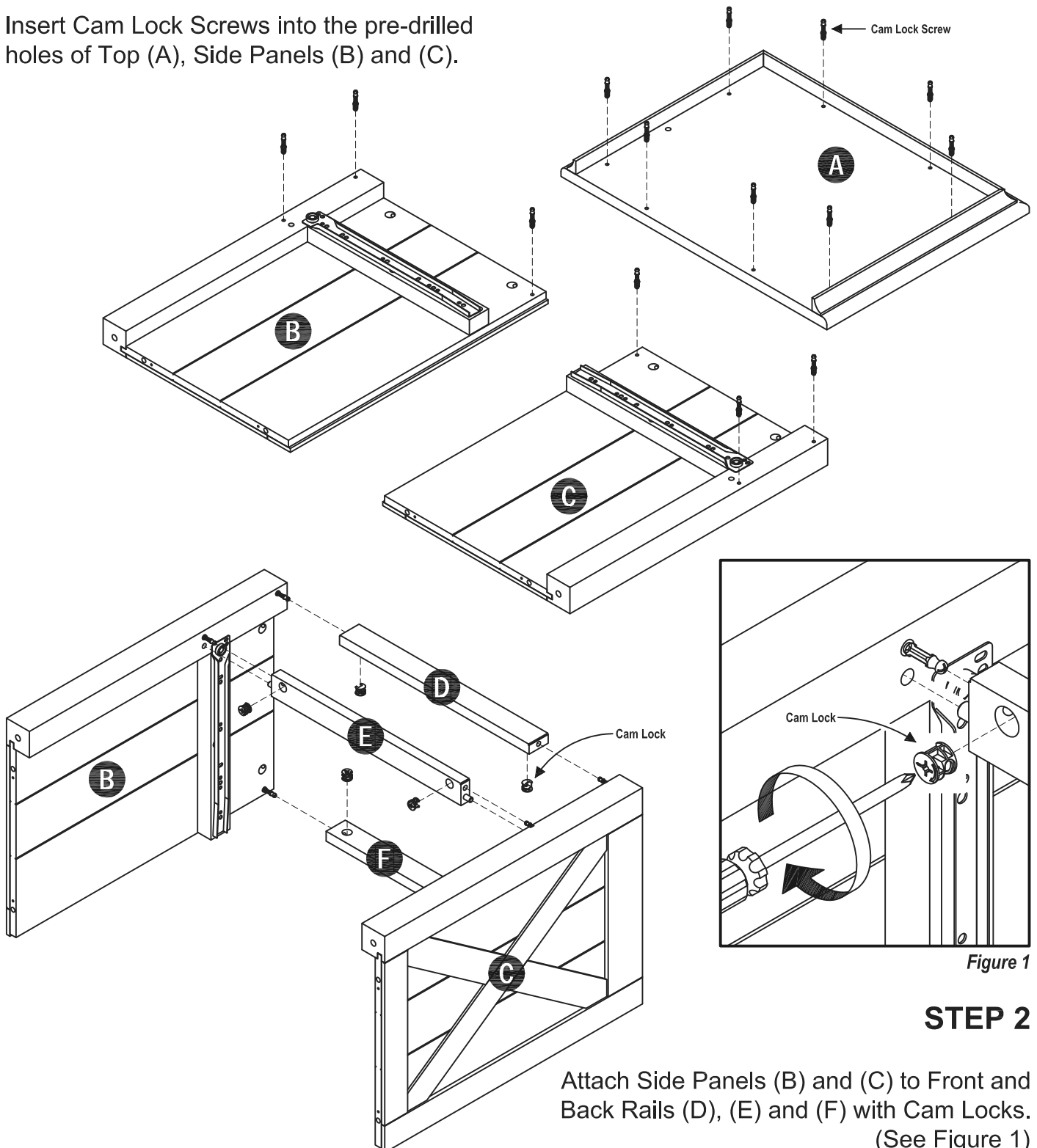


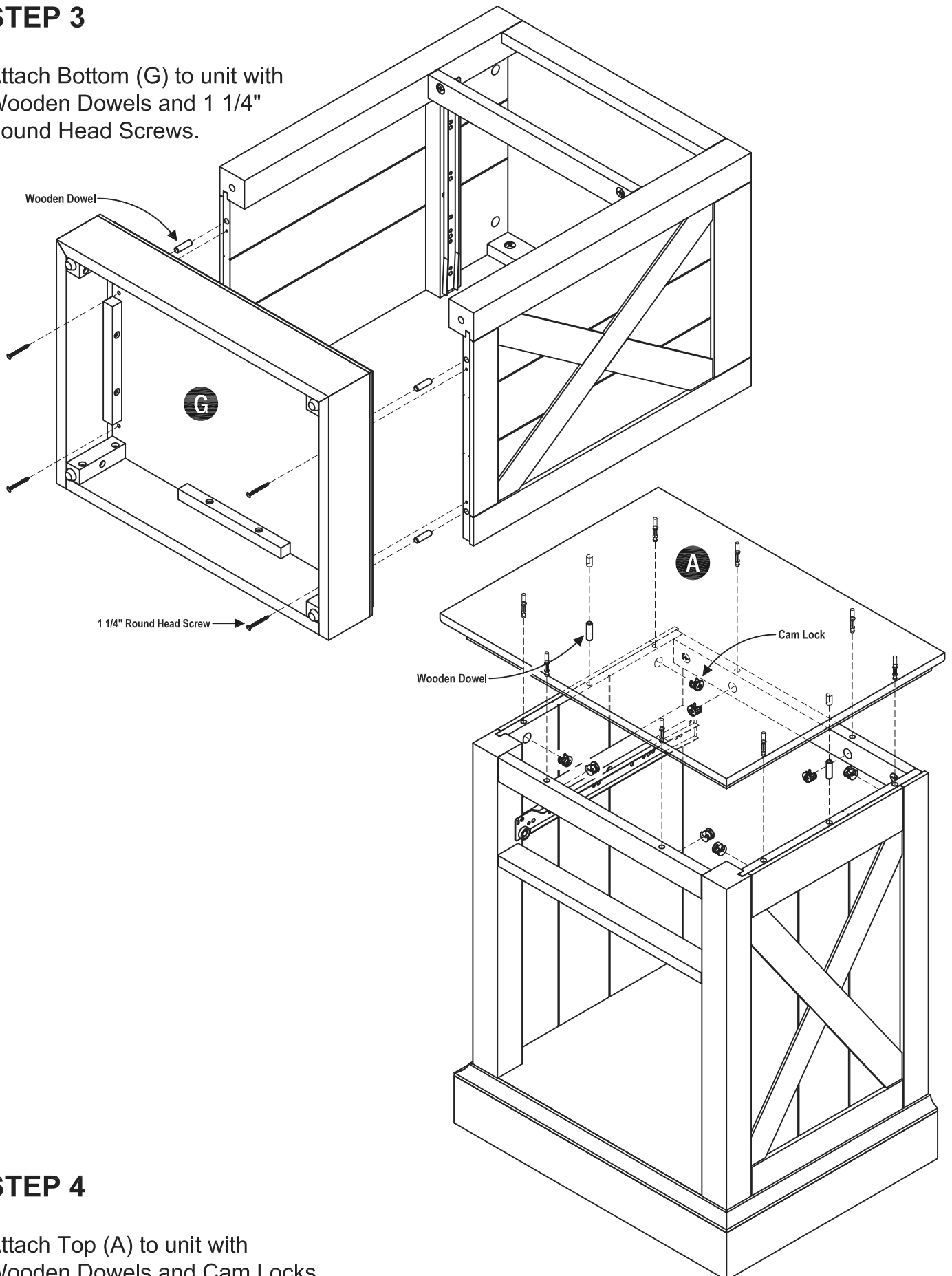
Figure 1

## STEP 2

Attach Side Panels (B) and (C) to Front and Back Rails (D), (E) and (F) with Cam Locks.  
(See Figure 1)

### STEP 3

Attach Bottom (G) to unit with  
Wooden Dowels and 1 1/4"  
Round Head Screws.



### STEP 4

Attach Top (A) to unit with  
Wooden Dowels and Cam Locks.

### STEP 5

To level the unit, adjust the adjustable levelers on the bottom of the legs.  
(See Figure 2)

**Note: Unit must be level to work properly.**

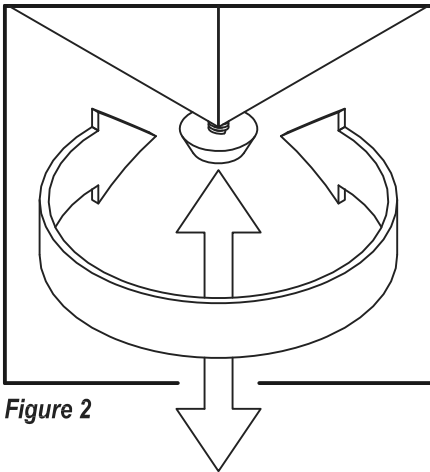
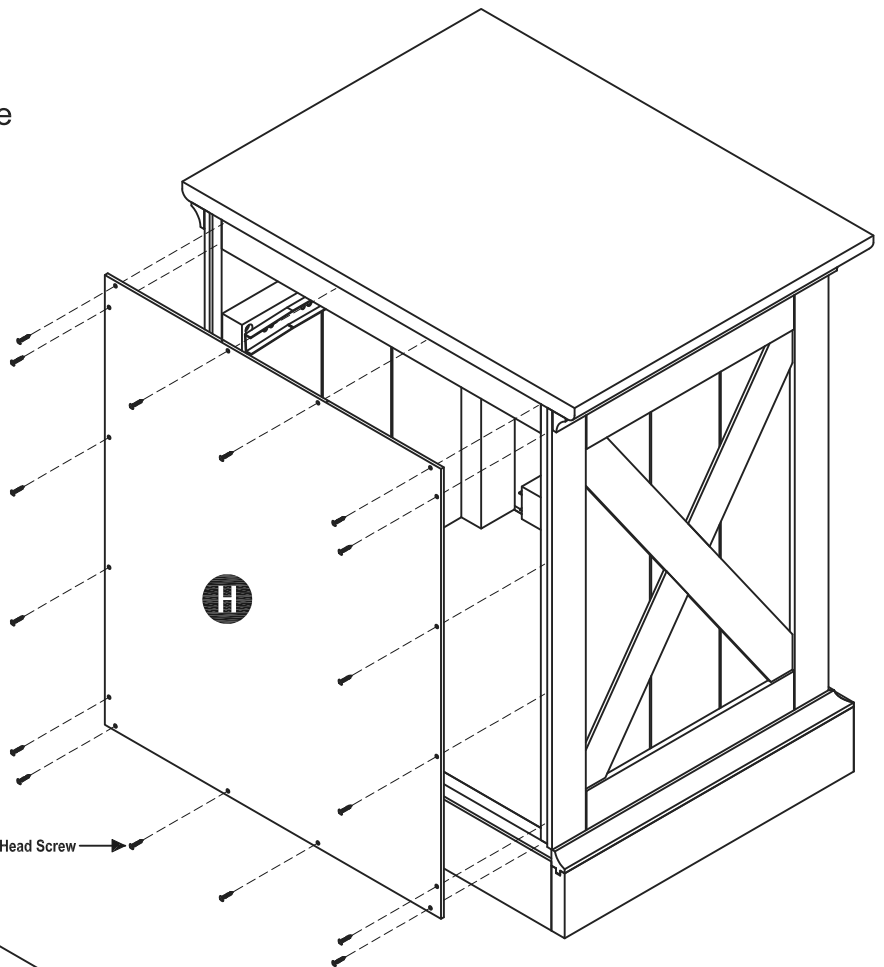


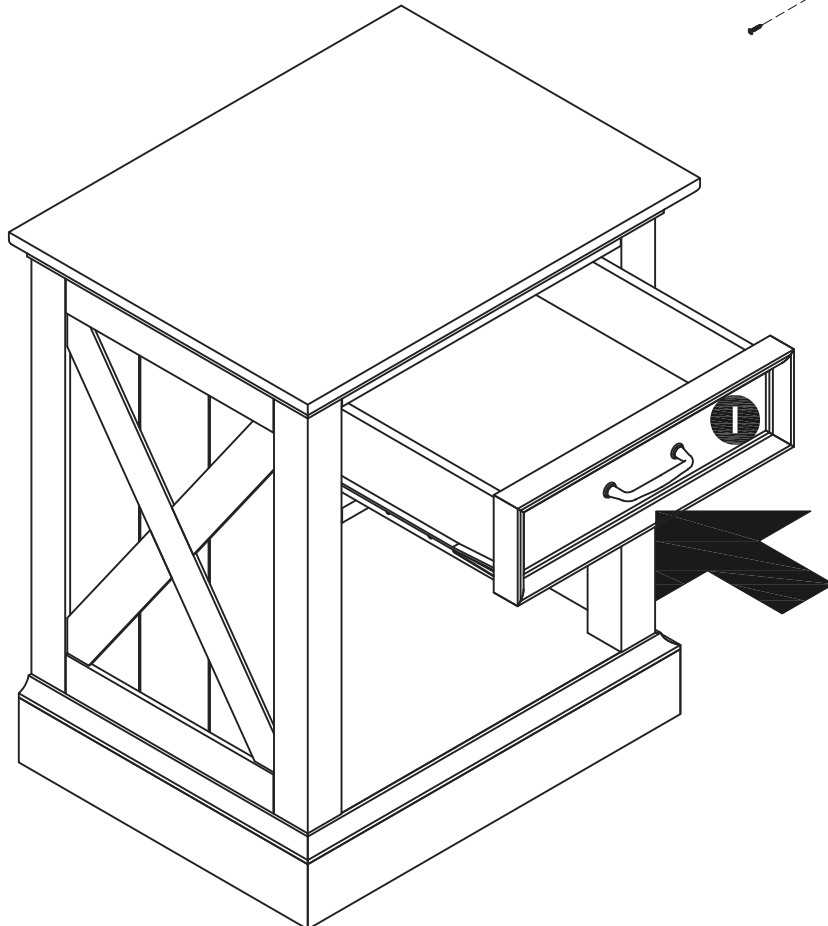
Figure 2



### STEP 6

Attach Back Panel (H) to unit with 1/2" Round Head Screws.

**Note: Please make sure unit is level before tightening these screws.**



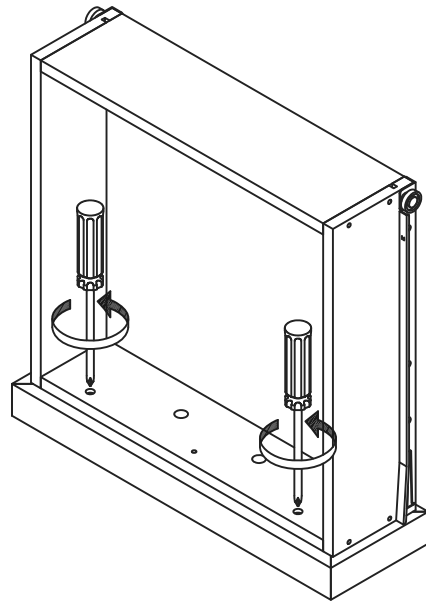
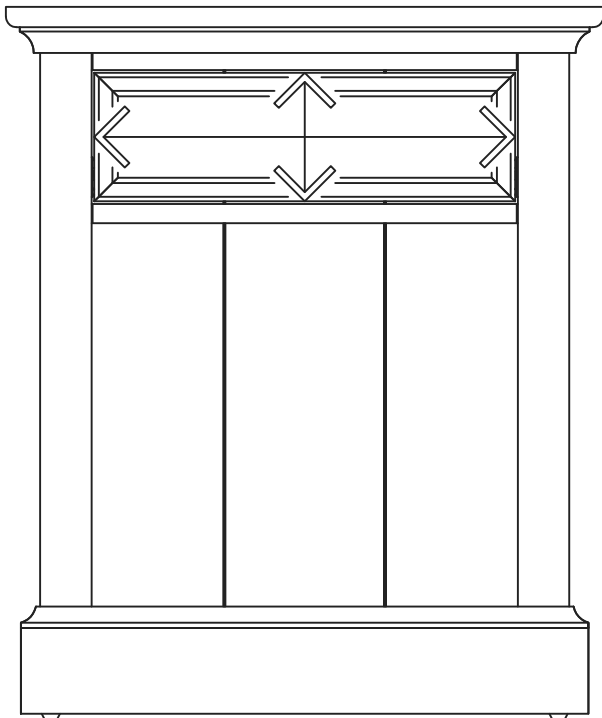
### STEP 7

Slide Drawer (I) into place.

Note: Follow the steps on the next page to use 3/4" Flat Head Screws to complete drawer assembly.

**STEP 8**

Loosen slightly the screws pre-installed on the back of the drawer fronts.

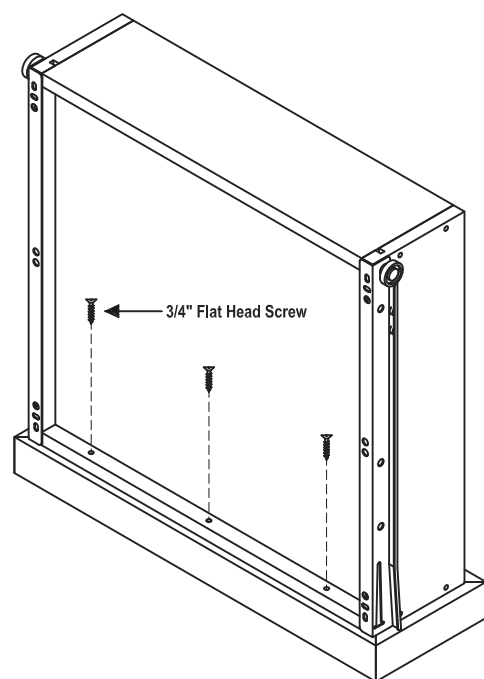
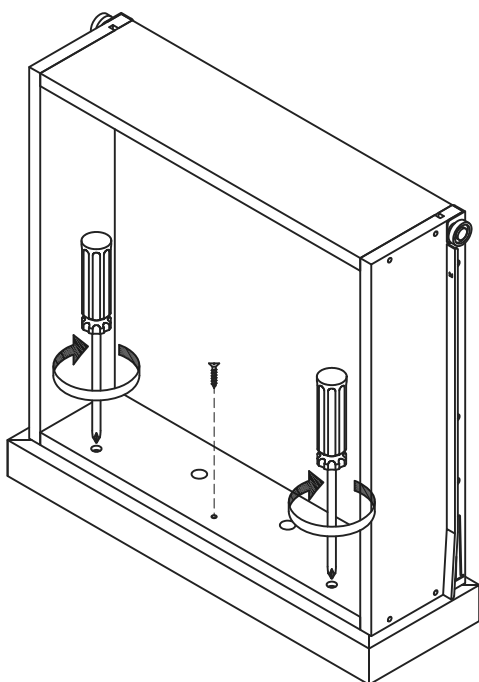


**STEP 9**

Insert the drawer into the unit, then adjust the drawer front panel left or right and up or down until the drawer gaps look proportional.

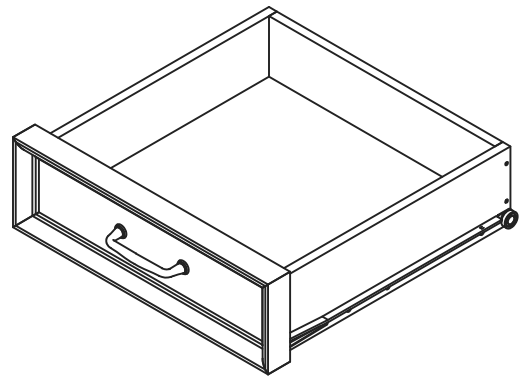
**STEP 10**

Pull the drawer open slowly and re-tighten the screws from Step 8. Make sure the front panel does not move and lock the drawer front panel into position with 3/4" Flat Head Screws.



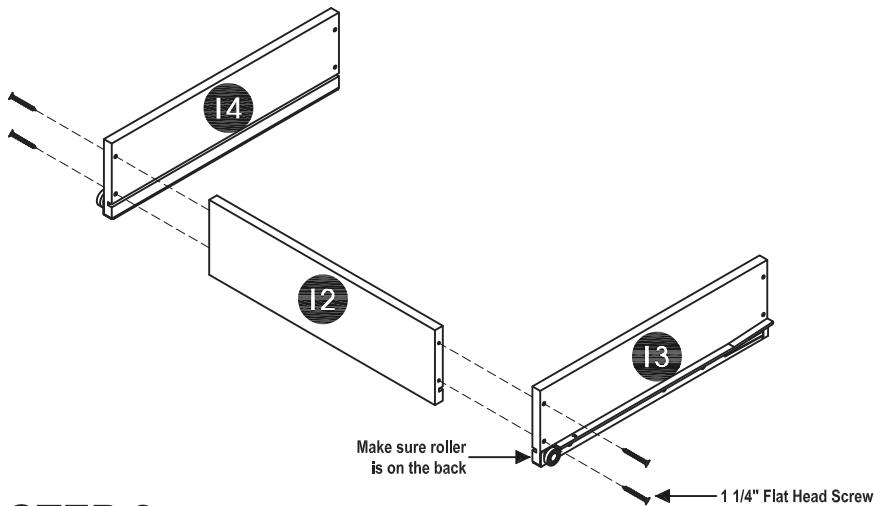
**Note: These 3/4" Flat Head Screws on this page must be installed to complete the drawer assembly.**

# Drawer (I)



## STEP 1

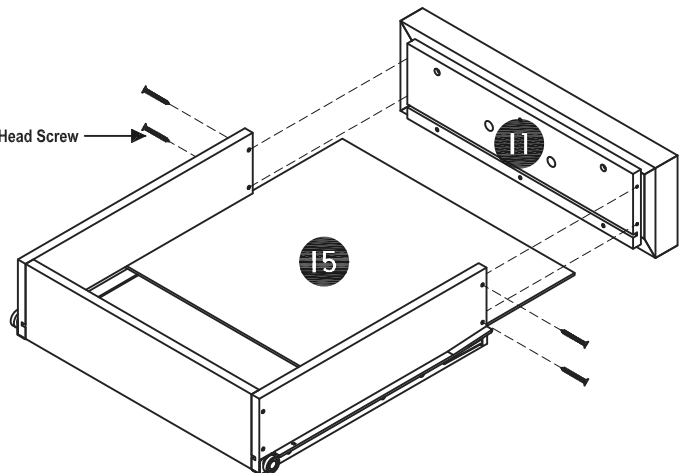
Attach Drawer Sides (I3) and (I4) to Drawer Back (I2) with 1 1/4" Flat Head Screws.



## STEP 2

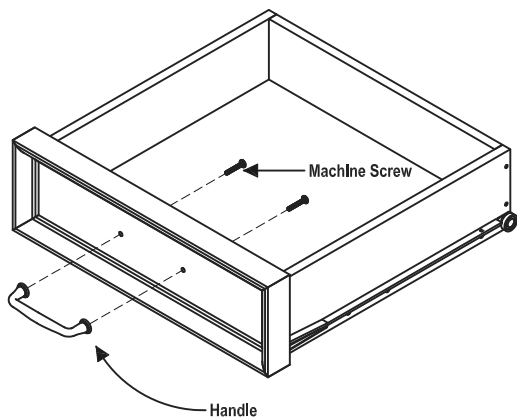
Insert Drawer Bottom (I5) into the groove.

Attach Drawer Front (I1) to unit with 1 1/4" Flat Head Screws.



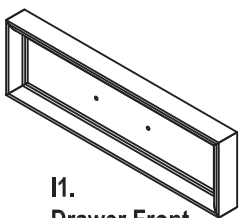
## STEP 3

Attach Handle with Machine Screws.

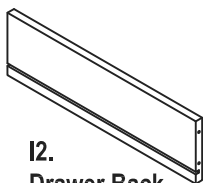


Note: Drawer assembly is not complete until 3/4" Flat Head Screws are used in a later step.

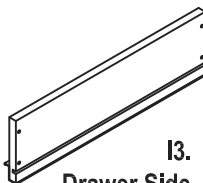
## Part List



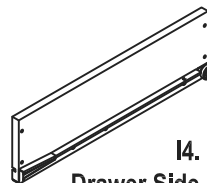
**I1.**  
Drawer Front  
1 pc.



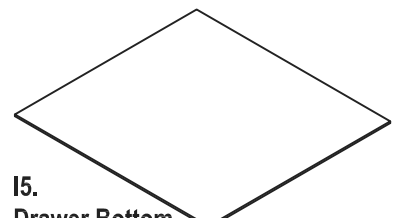
**I2.**  
Drawer Back  
1 pc.



**I3.**  
Drawer Side  
1 pc.



**I4.**  
Drawer Side  
1 pc.



**I5.**  
Drawer Bottom  
1 pc.

# VERY IMPORTANT !!

## CARE INSTRUCTIONS

### NEVER

USE GLASS CLEANERS ON FINISHED FURNITURE. AMMONIA WILL CHEMICALLY ATTACK THE FINISH.

### NEVER

ALLOW LIQUIDS OF ANY KIND TO REMAIN ON THE FURNITURE. ABSORPTION CAUSES PART TO WARP AND SPLIT AND FINISHES TO DELAMINATE.

DO NOT WRITE DIRECTLY ON SURFACE.



**PREVENT MARKING**

DO NOT PLACE IN DIRECT SUNLIGHT.



**PREVENT FADING**

DO NOT USE COMMERCIAL WAXES AND POLISHES.



**PREVENT YELLOWING**

DO NOT PLACE HOT OBJECTS ON SURFACE.



**PREVENT FINISH DAMAGE**

DO NOT USE RUBBER BASED PLACE MATS.



**PREVENT DISCOLORING**

## TO CLEAN

USE A SOFT CLOTH MOISTENED IN LUKEWARM SOAP AND WATER, THEN BUFF WITH A DRY CLEAN CLOTH.



Home Styles will provide replacements free of charge for missing or damaged hardware or parts within 30 days of purchase. Digital images of the defective parts may be required. If this product was not purchased from an authorized retail affiliate, Home Styles is under no obligation to provide replacement parts. Parts are not available for fully assembled items nor are parts available for sale. Replacements for missing or damaged hardware or parts may be requested at:

[www.homestyles-furniture.com/customer\\_service](http://www.homestyles-furniture.com/customer_service)

**Home Styles Consumer Assistance:** [www.homestyles-furniture.com](http://www.homestyles-furniture.com),  
[servicedesk@homestyles-furniture.com](mailto:servicedesk@homestyles-furniture.com), 888-680-7460, 877-831-0319



# 88 5523 431 Dresser

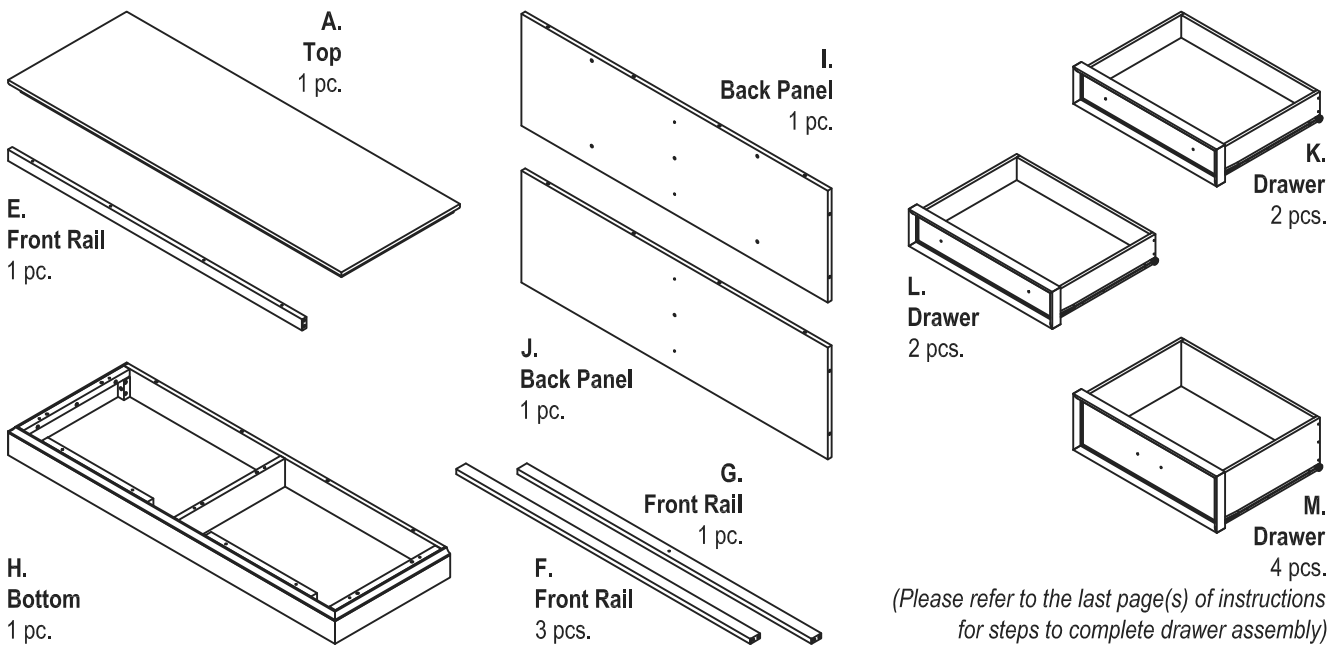


## IMPORTANT NOTE

Carefully remove all the parts from the carton and put them individually on a soft cloth to prevent scratches or other damage occurring to the parts.

We have taken great care in the design of this product and request that you carefully and strictly follow our assembly instructions to ensure a completed product as it was designed.

## Part List



## Hardware List



Cam Lock Screw  
42 pcs. (+4 extra)



Cam Lock  
42 pcs. (+4 extra)



(M4x38)  
1 3/4" Round Head Screw  
4 pcs. (+1 extra)



(M4x32)  
1 1/4" Round Head Screw  
13 pcs. (+1 extra)



(M3x32)  
1 1/4" Flat Head Screw  
104 pcs. (+1 extra)



(M3x19)  
3/4" Flat Head Screw  
56 pcs. (+1 extra)



(M4x22)  
Machine Screw  
16 pcs.



Knob  
8 pcs.



Handle  
4 pcs.



Wooden Dowel  
11 pcs. (+1 extra)

## Tipover Restraint Kit:



Tipover Restraint  
1 pc.



Anchor  
1 pc. (+1 extra)



1 1/2" Round Head Screw  
(M3x38)  
1 pc. (+1 extra)



1/2" Round Head Screw  
(M3x13)  
1 pc. (+1 extra)



Flat Washer  
2 pcs. (+1 extra)

Also need the Parts in carton 88 5523 432

Tools Required For Assembly : Phillips screwdriver, Drill, 3/8" Drill Bit, Level

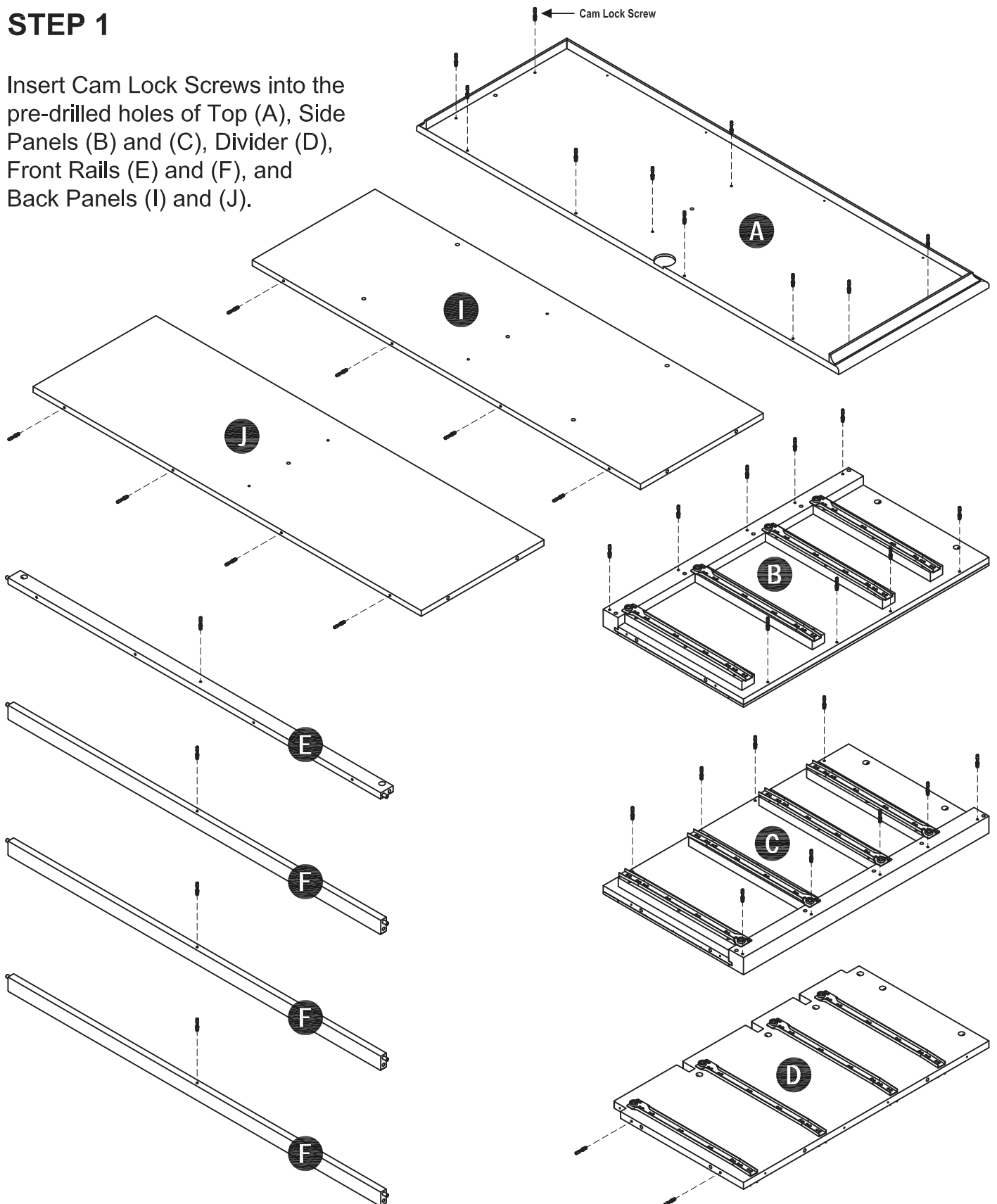
**Home Styles Consumer Assistance:** [www.homestyles-furniture.com](http://www.homestyles-furniture.com),  
[servicedesk@homestyles-furniture.com](mailto:servicedesk@homestyles-furniture.com), 888-680-7460, 877-831-0319

## IMPORTANT

- \* Do not tighten up all the screws until each part is properly assembled.
- \* Use a soft cloth between these parts and the floor.
- \* After assembly, item must be level to work properly. Use the included adjustable levelers to level.

## STEP 1

Insert Cam Lock Screws into the pre-drilled holes of Top (A), Side Panels (B) and (C), Divider (D), Front Rails (E) and (F), and Back Panels (I) and (J).



**STEP 2**

Assemble Back Panels (I) and (J) with Cam Locks. (See Figure 1)

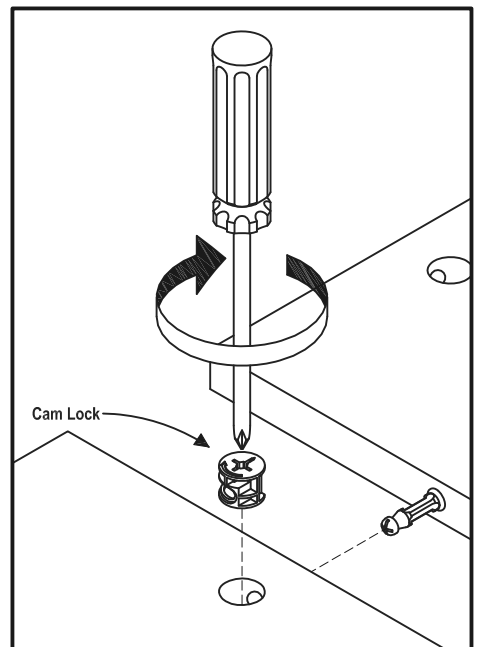
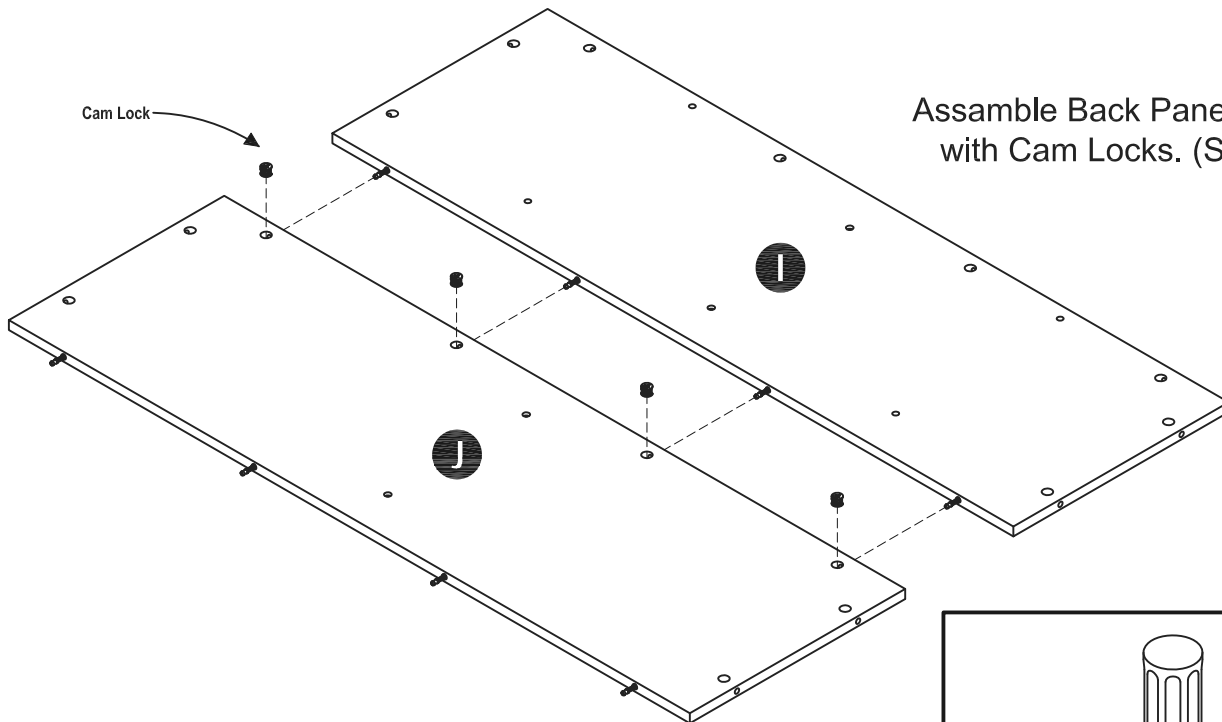
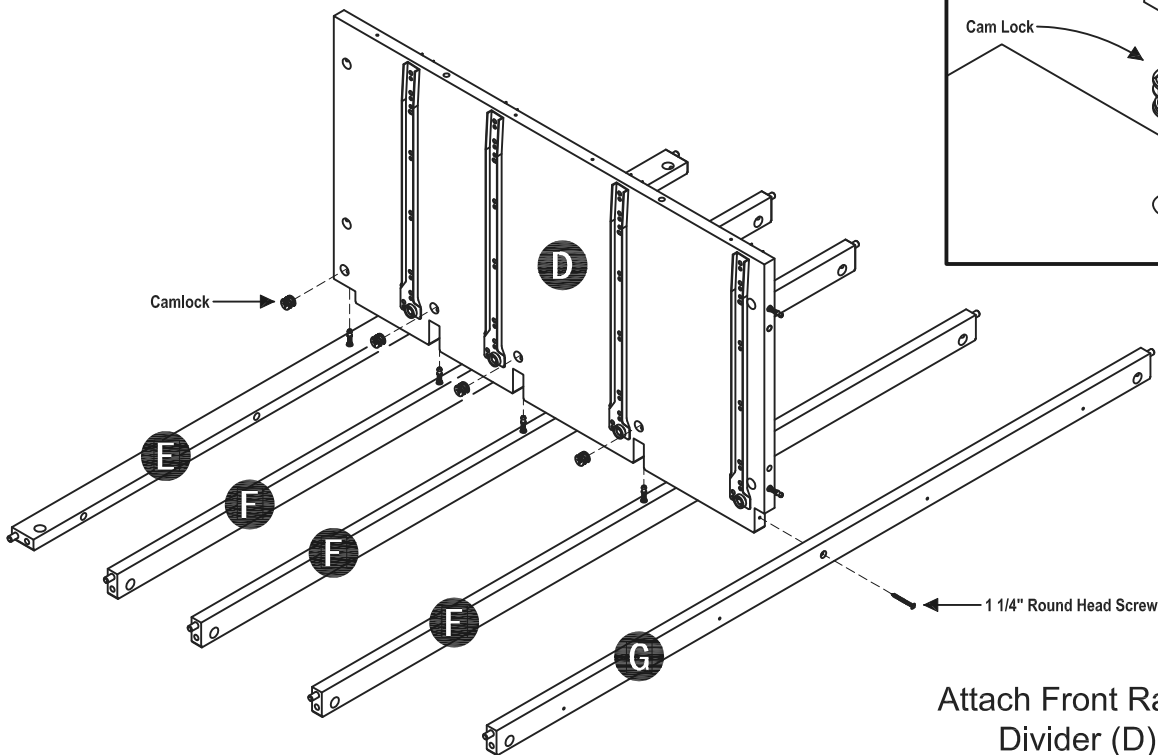


Figure 1



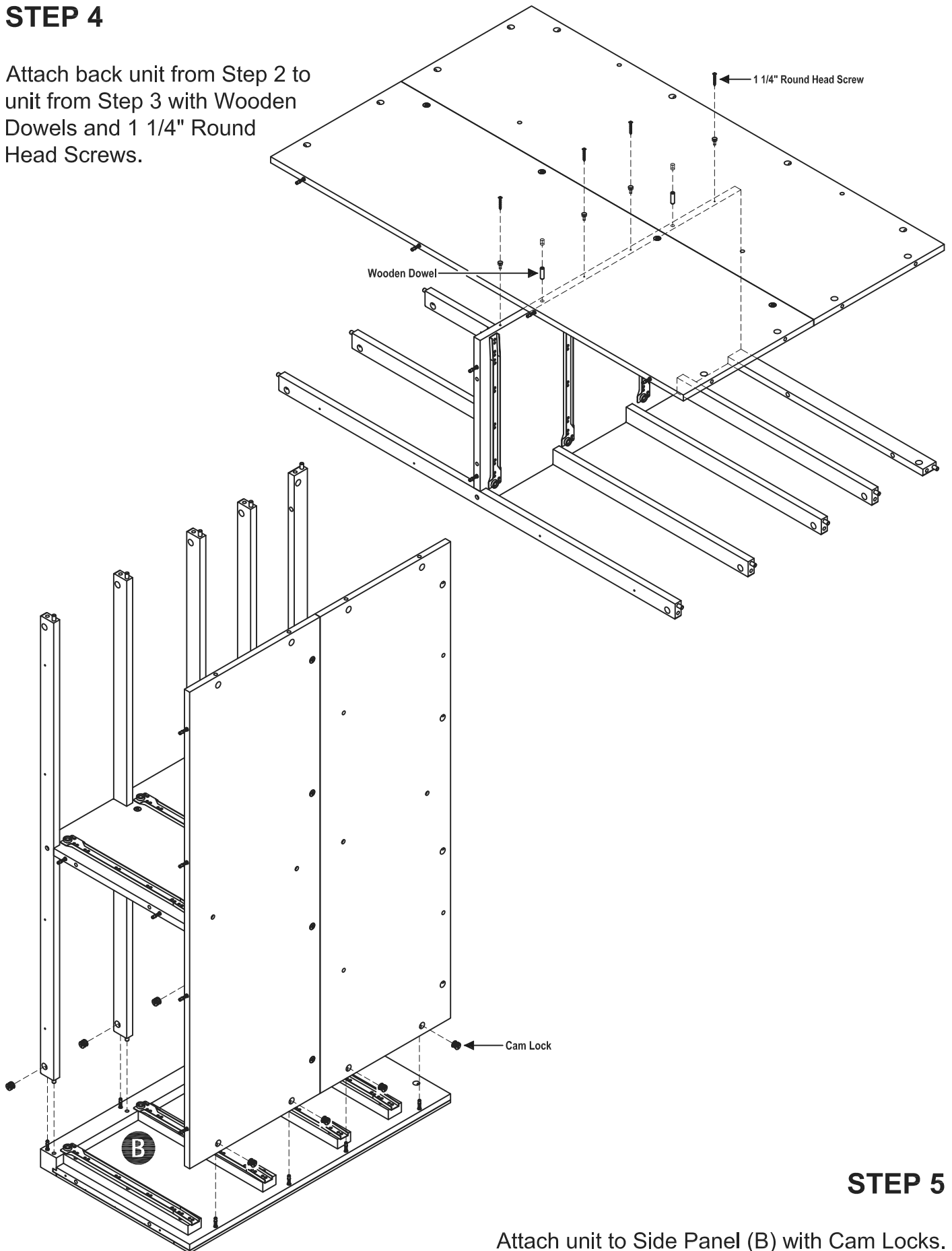
**STEP 3**

Attach Front Rails (E) and (F) to Divider (D) with Cam Locks.

Attach Front Rail (G) to Divider (D) with 1 1/4" Round Head Screw.

## STEP 4

Attach back unit from Step 2 to unit from Step 3 with Wooden Dowels and 1 1/4" Round Head Screws.

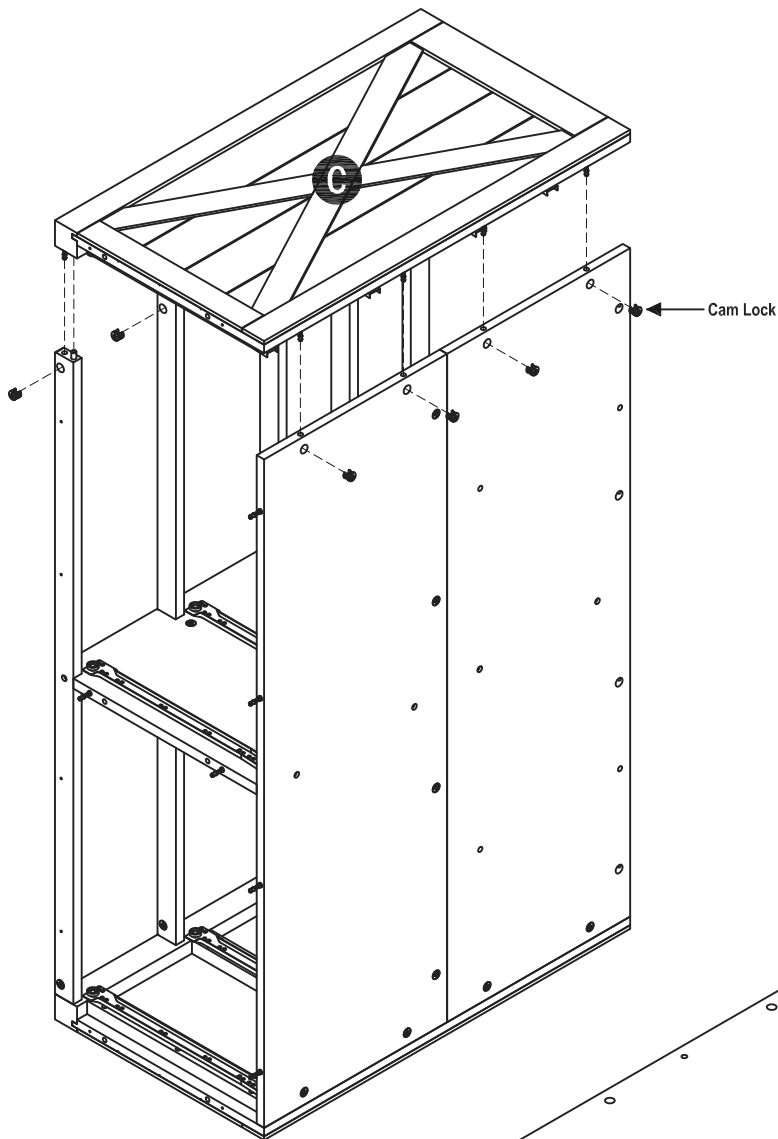


## STEP 5

Attach unit to Side Panel (B) with Cam Locks.

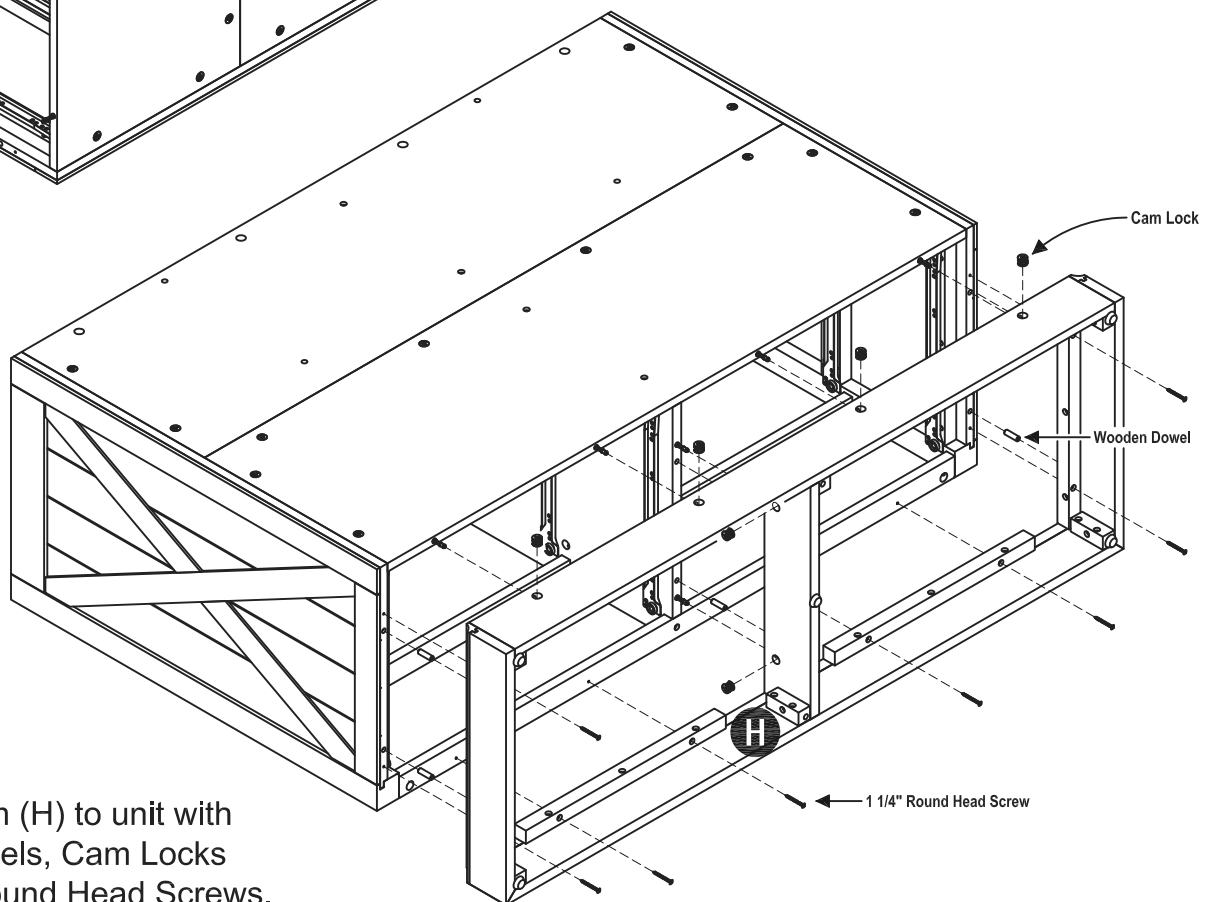
**STEP 6**

Attach Side Panel (C) to unit with Cam Locks



**STEP 7**

Attach Bottom (H) to unit with Wooden Dowels, Cam Locks and 1 1/4" Round Head Screws.



## STEP 8

Attach Top (A) to unit with Wooden Dowels, Cam Lock and 1 3/4" Round Head Screws.

**Note: A Philips screwdriver 5" or less in length is recommended.**

To level the unit, adjust the adjustable levelers on the bottom of the legs. (See Figure 2)

**Note: Unit must be level to work properly.**

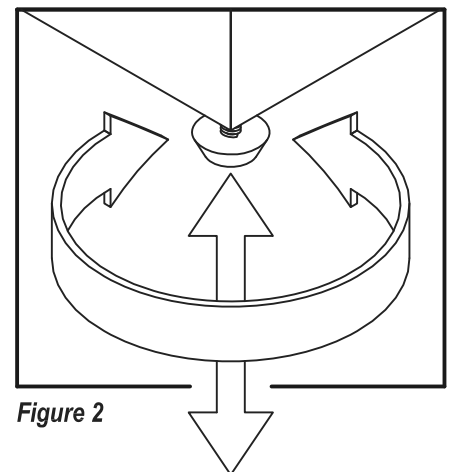
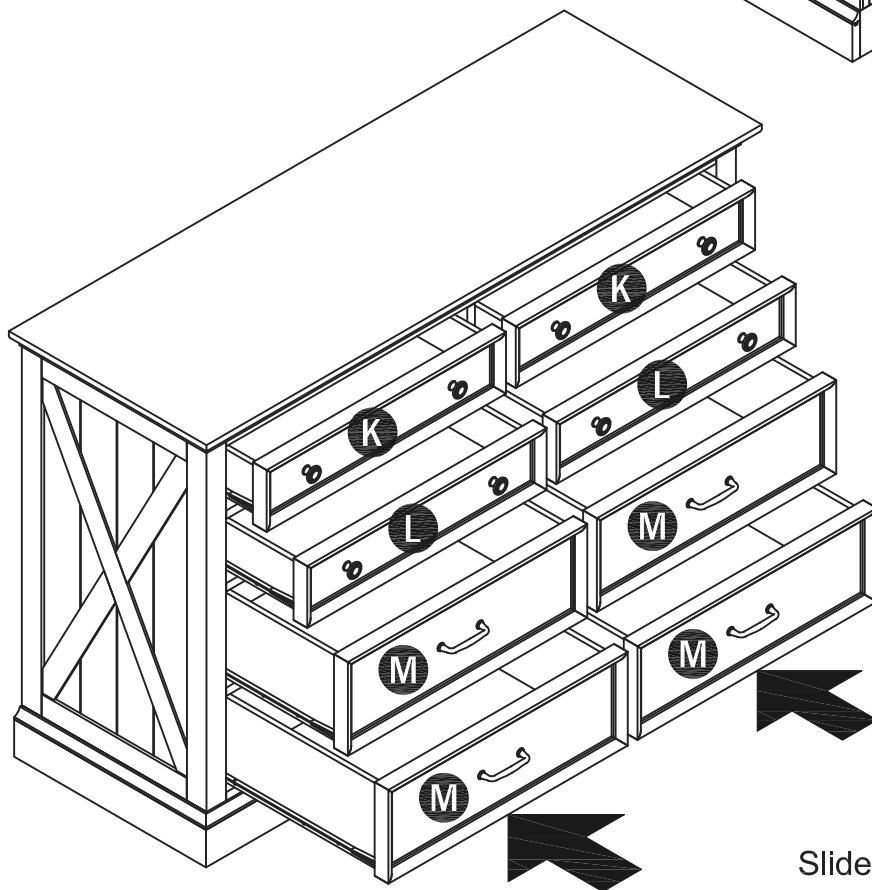
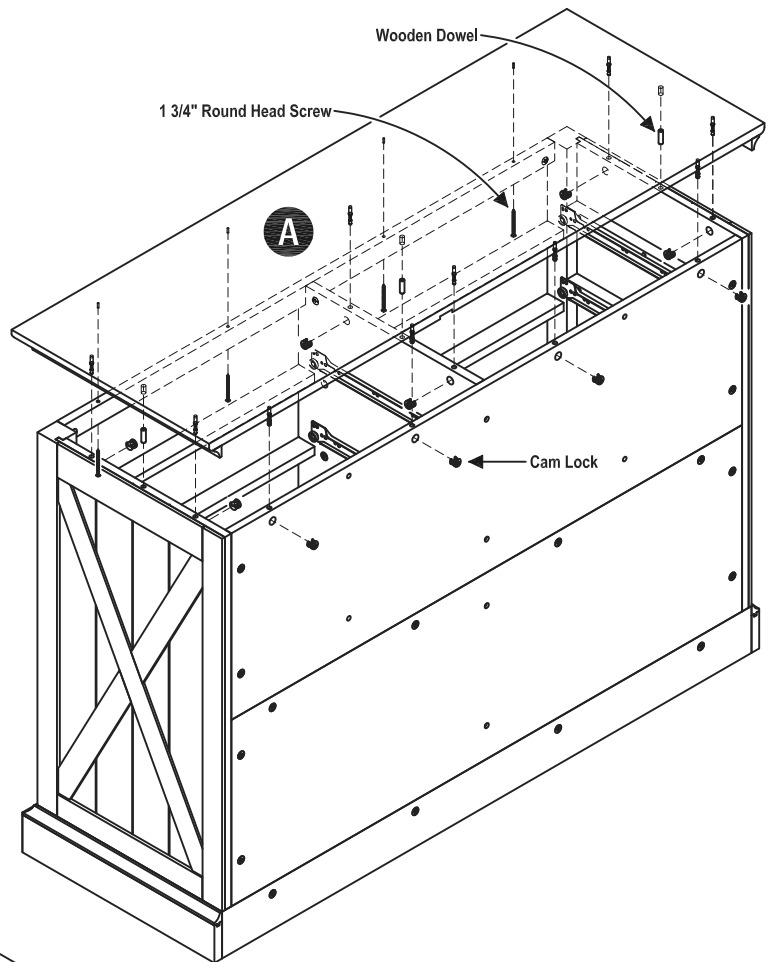


Figure 2

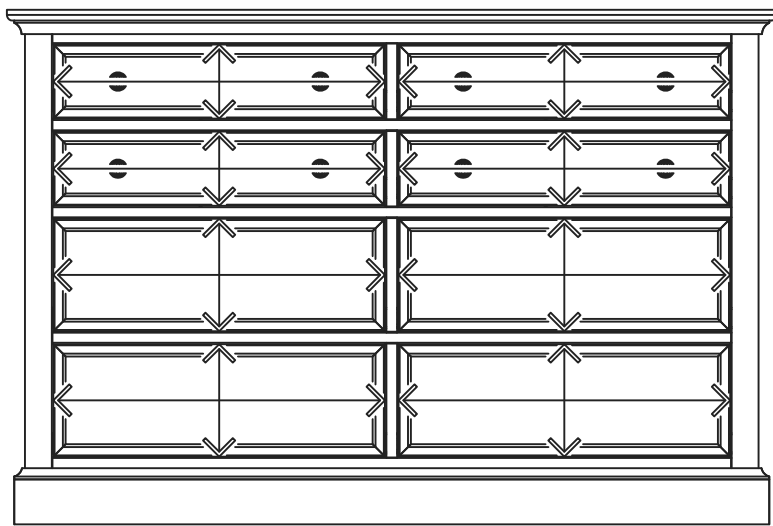
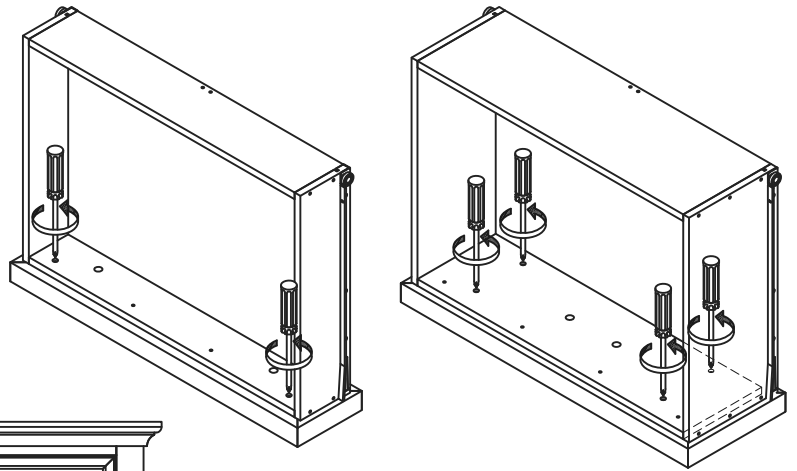
## STEP 9

Slide Drawers (K), (L) and (M) into place.

Note: Follow the steps on the next page to use 3/4" Flat Head Screws to complete drawer assembly.

## STEP 10

Loosen slightly the screws pre-installed on the back of the drawer fronts.

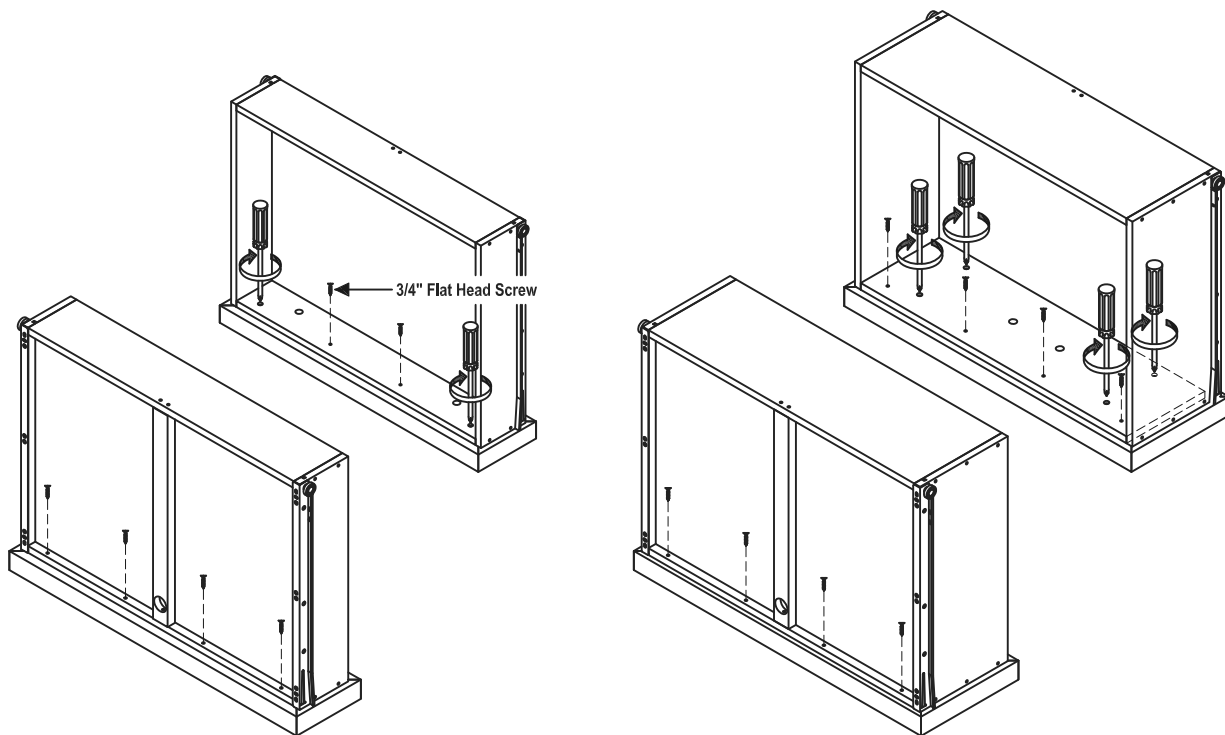


## STEP 11

Insert the drawer into the unit, then adjust the drawer front panel left or right and up or down until the drawer gaps look proportional.

## STEP 12

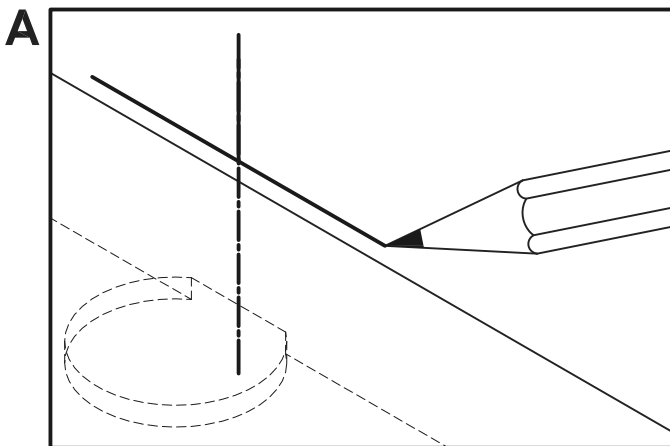
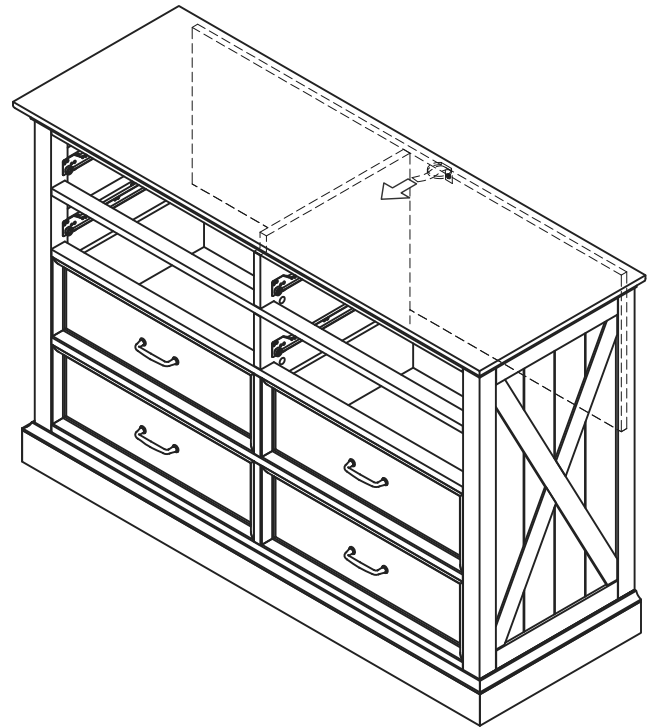
Pull the drawer open slowly and re-tighten the screws from Step 10. Make sure the front panel does not move and lock the drawer front panel into position with 3/4" Flat Head Screws.



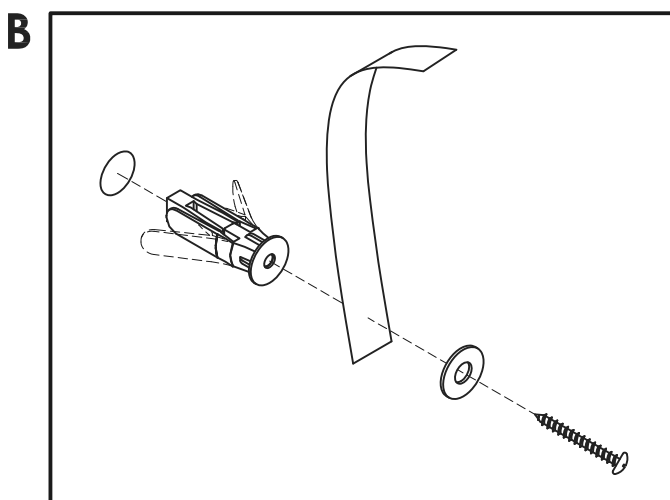
**Note: These 3/4" Flat Head Screws on this page must be installed to complete the drawer assembly.**

## ATTENTION!

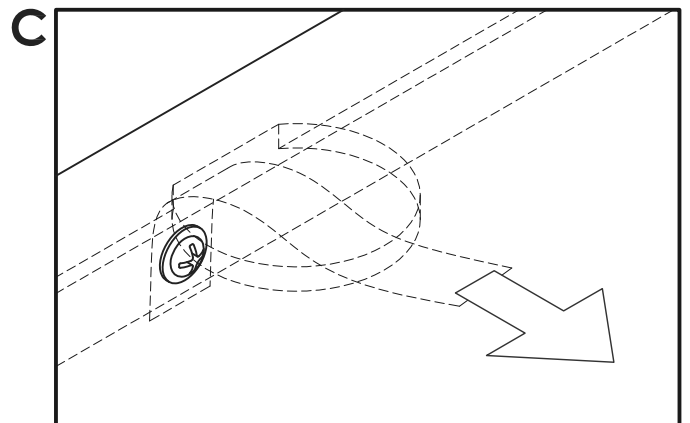
To help reduce the risk of the unit tipping over, the Tipover Restraint must be installed following these instructions exactly!



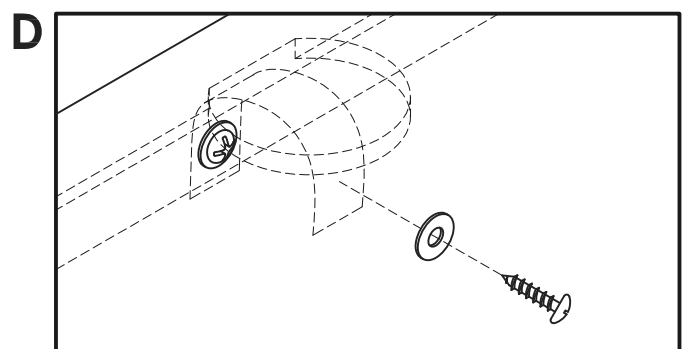
- Place the unit at desired location.
- Remove Drawers (L,M) from unit.
- Mark wall with pencil to show position of hole in Top (A).
- Move unit.



- Drill a 3/8" hole in wall 1 1/2" below mark.
- Insert Anchor into the wall hole.
- Attach Tipover Restraint to Anchor with 1 1/2" Round Head Screw and Flat Washer.



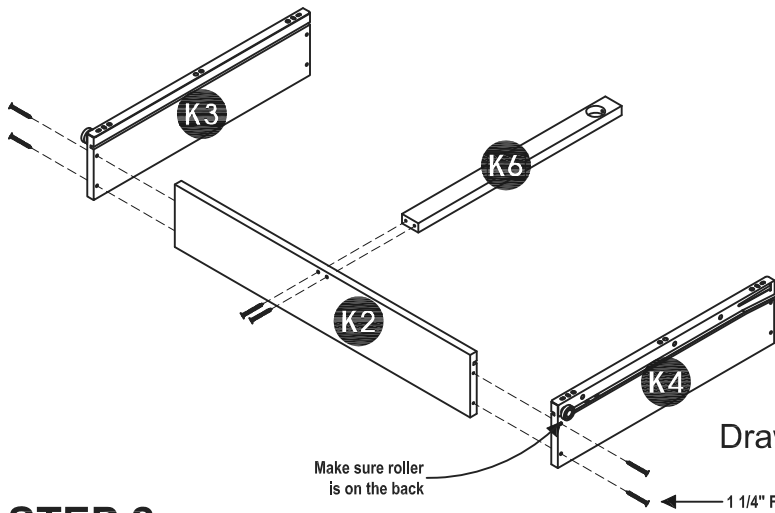
- Move unit back into place.
- Insert Tipover Restraint into unit through hole in Top (A).



- Screw Tipover Restraint to unit with 1/2" Round Head Screw and Flat Washer.
- Slide Drawers (K,L) back into place.



# Drawer (K)



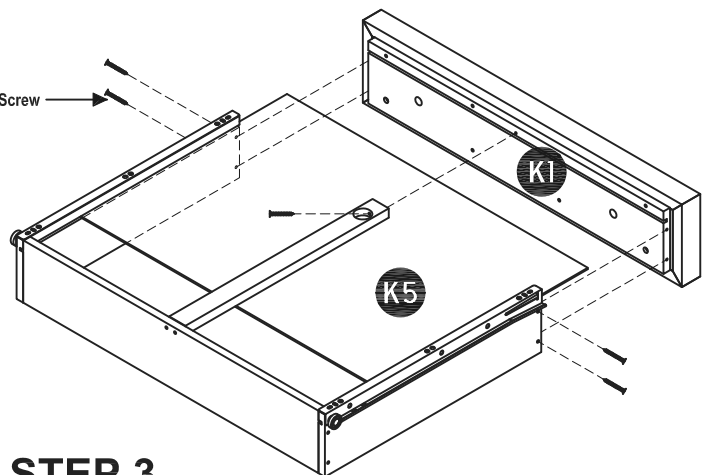
## STEP 1

Attach Drawer Sides (K3) and (K4) and Drawer Support (K6) to Drawer Back (K2) with 1 1/4" Flat Head Screws.

## STEP 2

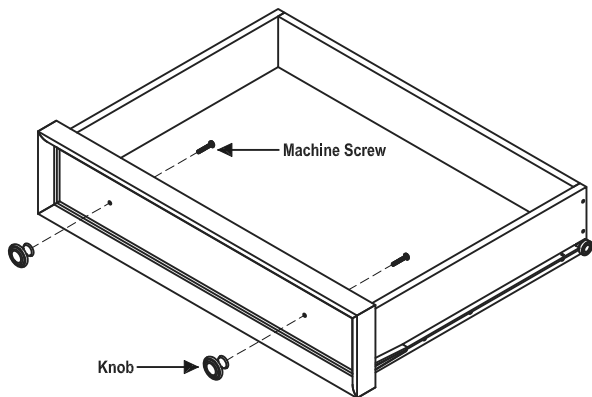
Insert Drawer Bottom (K5) into the groove.

Attach Drawer Front (K1) to unit with 1 1/4" Flat Head Screws.



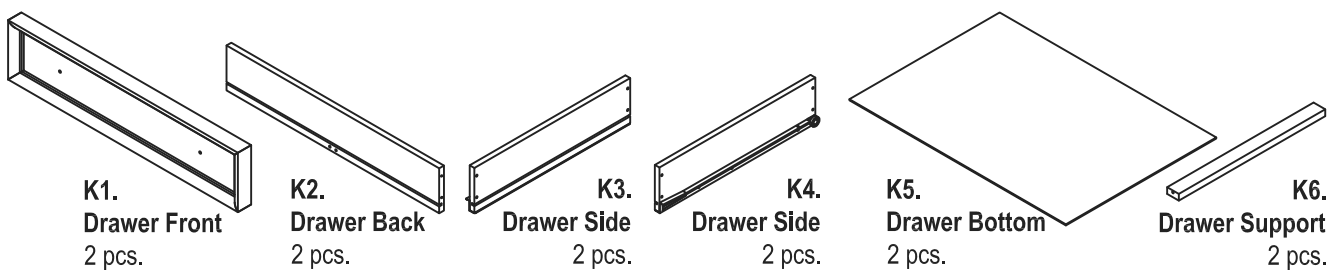
## STEP 3

Attach Knobs with Machine Screws.

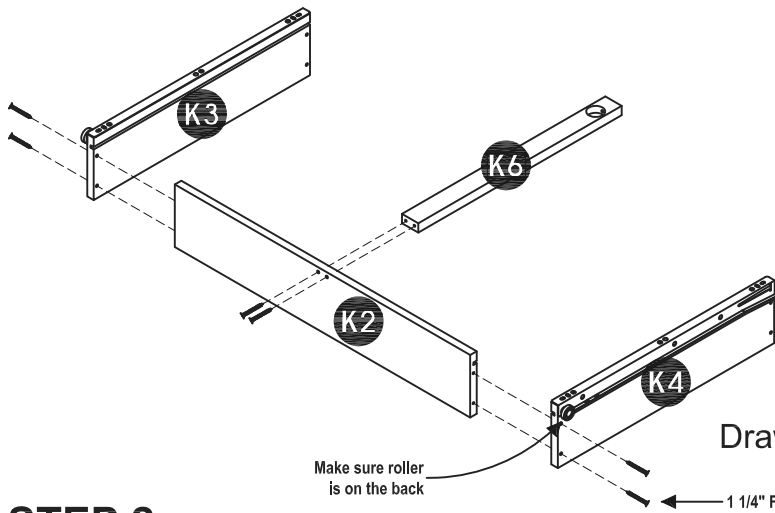


Note: Drawer assembly is not complete until 3/4" Flat Head Screws are used in a later step.

## Part List



# Drawer (L)



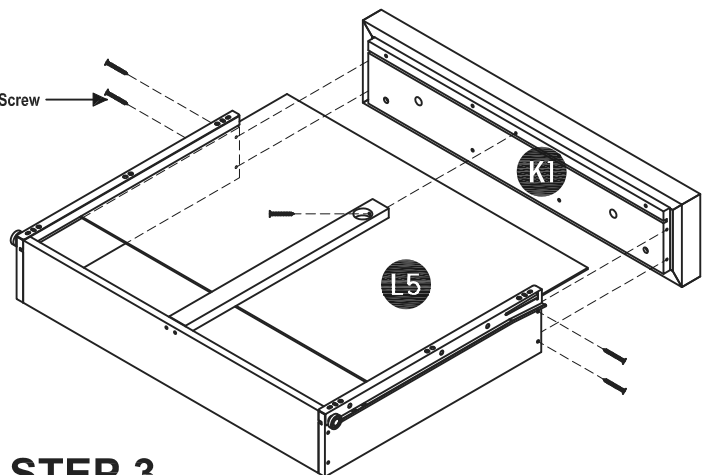
## STEP 1

Attach Drawer Sides (K3) and (K4) and Drawer Support (K6) to Drawer Back (K2) with 1 1/4" Flat Head Screws.

## STEP 2

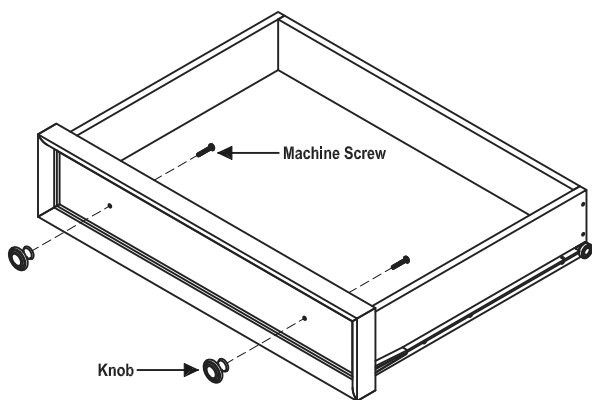
Insert Drawer Bottom (L5) into the groove.

Attach Drawer Front (K1) to unit with 1 1/4" Flat Head Screws.



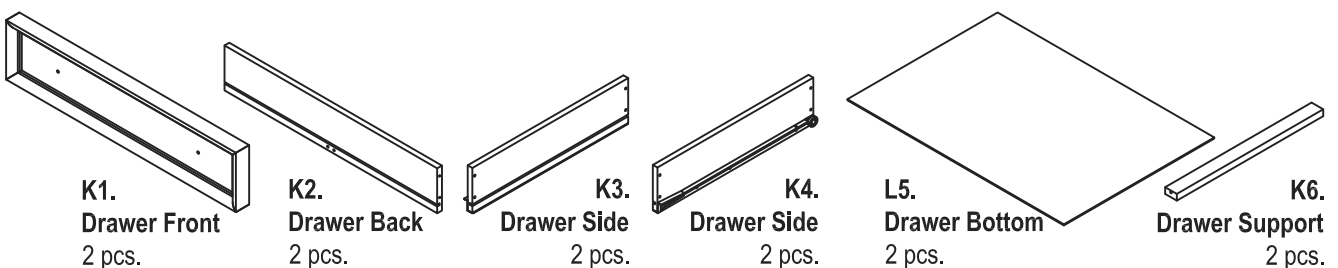
## STEP 3

Attach Knobs with Machine Screws.

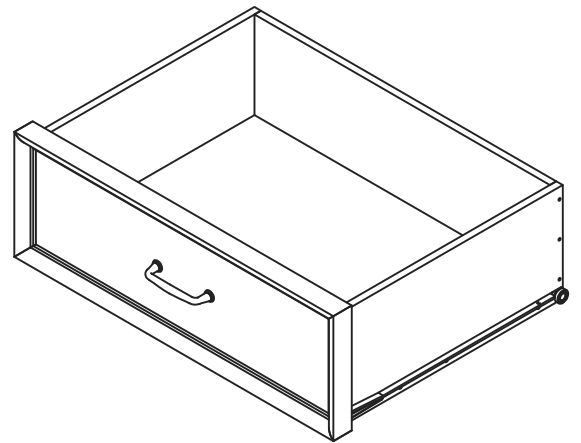
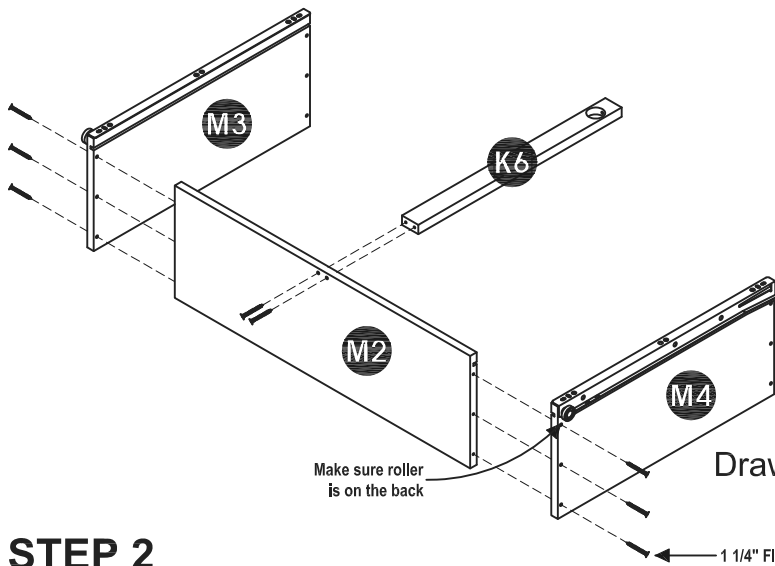


Note: Drawer assembly is not complete until 3/4" Flat Head Screws are used in a later step.

## Part List



# Drawer (M)



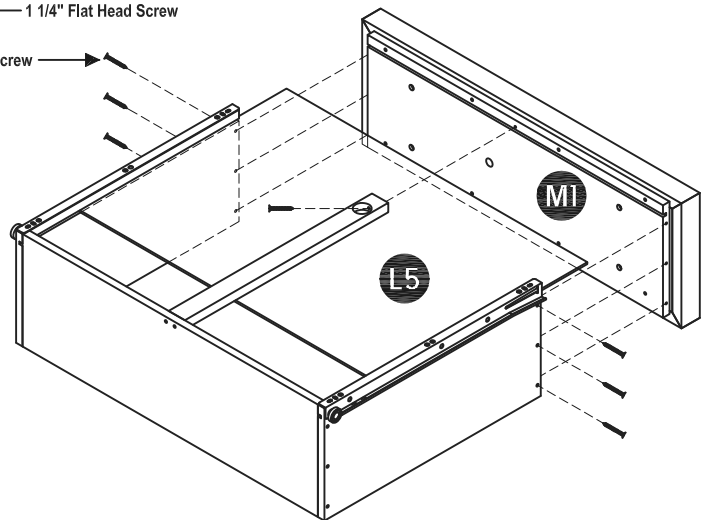
## STEP 1

Attach Drawer Sides (M3) and (M4) and Drawer Support (K6) to Drawer Back (M2) with 1 1/4" Flat Head Screws.

## STEP 2

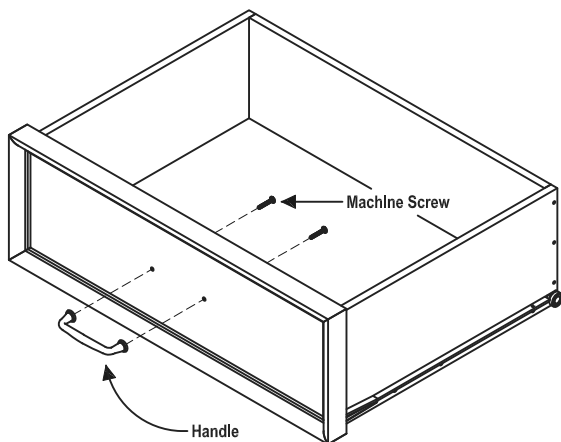
Insert Drawer Bottom (L5) into the groove.

Attach Drawer Front (M1) to unit with 1 1/4" Flat Head Screws.



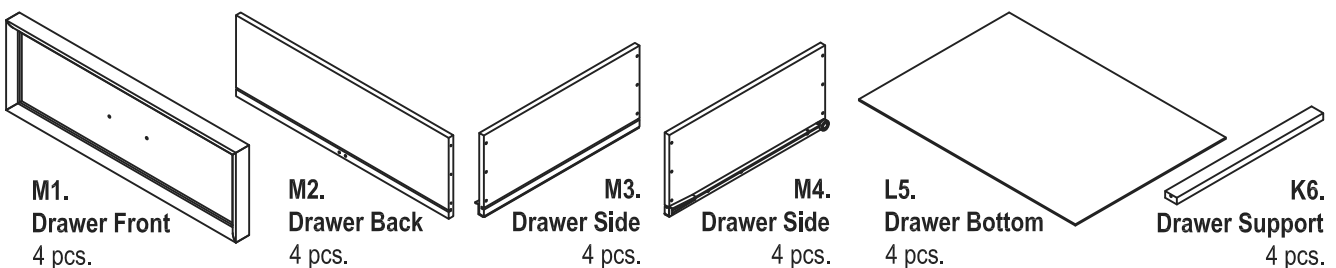
## STEP 3

Attach Handle with Machine Screws.



Note: Drawer assembly is not complete until 3/4" Flat Head Screws are used in a later step.

## Part List



# VERY IMPORTANT !!

## CARE INSTRUCTIONS

### NEVER

USE GLASS CLEANERS ON FINISHED FURNITURE. AMMONIA WILL CHEMICALLY ATTACK THE FINISH.

### NEVER

ALLOW LIQUIDS OF ANY KIND TO REMAIN ON THE FURNITURE. ABSORPTION CAUSES PART TO WARP AND SPLIT AND FINISHES TO DELAMINATE.

DO NOT WRITE DIRECTLY ON SURFACE.



**PREVENT MARKING**

DO NOT PLACE IN DIRECT SUNLIGHT.



**PREVENT FADING**

DO NOT USE COMMERCIAL WAXES AND POLISHES.



**PREVENT YELLOWING**

DO NOT PLACE HOT OBJECTS ON SURFACE.



**PREVENT FINISH DAMAGE**

DO NOT USE RUBBER BASED PLACE MATS.



**PREVENT DISCOLORING**

## TO CLEAN

USE A SOFT CLOTH MOISTENED IN LUKEWARM SOAP AND WATER, THEN BUFF WITH A DRY CLEAN CLOTH.



Home Styles will provide replacements free of charge for missing or damaged hardware or parts within 30 days of purchase. Digital images of the defective parts may be required. If this product was not purchased from an authorized retail affiliate, Home Styles is under no obligation to provide replacement parts. Parts are not available for fully assembled items nor are parts available for sale. Replacements for missing or damaged hardware or parts may be requested at:

[www.homestyles-furniture.com/customer\\_service](http://www.homestyles-furniture.com/customer_service)

**Home Styles Consumer Assistance:** [www.homestyles-furniture.com](http://www.homestyles-furniture.com),  
[servicedesk@homestyles-furniture.com](mailto:servicedesk@homestyles-furniture.com), 888-680-7460, 877-831-0319

# 88 5523 432 Dresser

## IMPORTANT NOTE

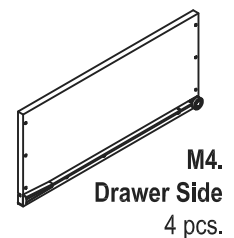
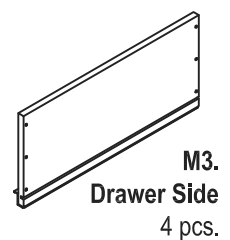
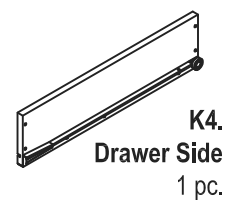
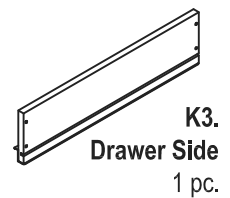
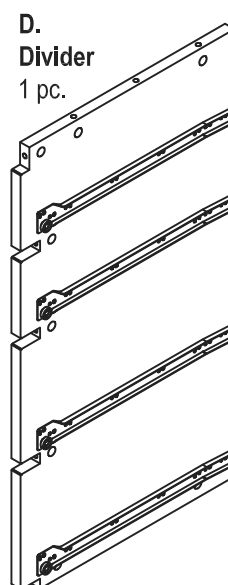
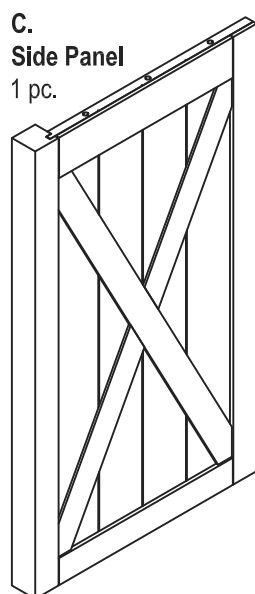
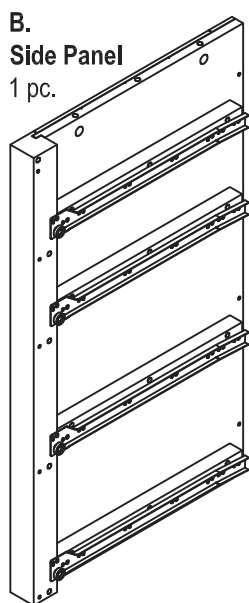
Carefully remove all the Parts from the carton and put them individually on a soft cloth to prevent scratches or other damage occurring to the Parts.

We have taken great care in the design of this product and request that you carefully and strictly follow our assembly instructions to ensure a completed product as it was designed.

*Home  
Styles*



## Part List

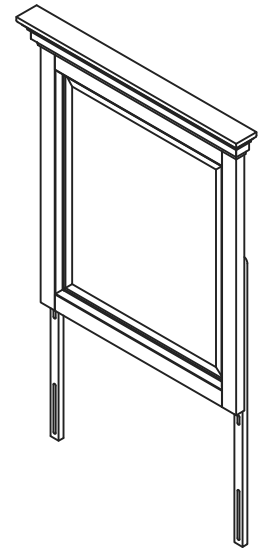


For assembly see instructions in carton 88 5523 431

**Home Styles Consumer Assistance:** [www.homestyles-furniture.com](http://www.homestyles-furniture.com),  
[servicedesk@homestyles-furniture.com](mailto:servicedesk@homestyles-furniture.com), 888-680-7460, 877-831-0319

# 88 5523 78

## Mirror



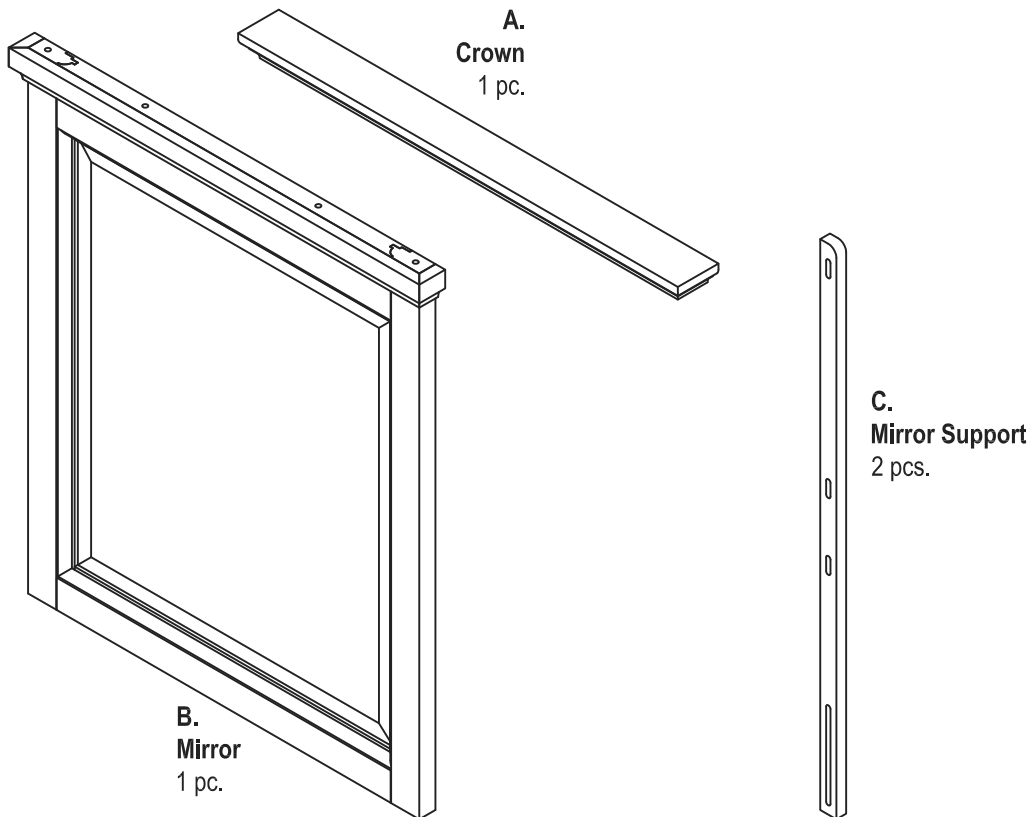
### IMPORTANT NOTE

Carefully remove all the parts from the carton and put them individually on a soft cloth to prevent scratches or other damages occurring to the wood parts.

We have taken great care in the design of this product and request that you carefully and strictly follow our assembly instructions to ensure a completed product as it was designed.

*Home Styles*

## Part List



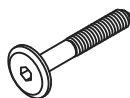
## Hardware List



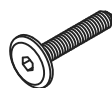
Cam Lock Screw  
4 pcs. (+2 extra)



Cam Lock  
4 pcs. (+2 extra)



(M6x40)  
Head Cap Bolt (Long)  
4 pcs. (+1 extra)



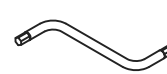
(M6x30)  
Head Cap Bolt (Short)  
4 pcs. (+1 extra)



Spring Washer  
8 pcs. (+1 extra)



Flat Washer  
8 pcs. (+1 extra)



Key Wrench  
1 pc.



Small Key Wrench  
1 pc.

Tools Required For Assembly : Phillips screwdriver

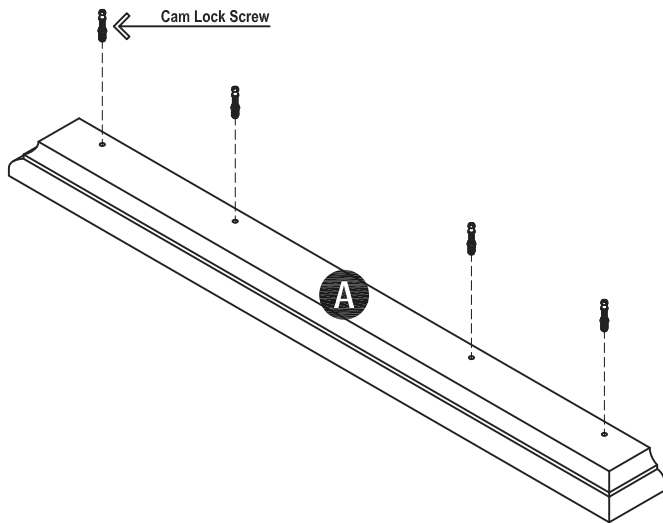
**Home Styles Consumer Assistance:** [www.homestyles-furniture.com](http://www.homestyles-furniture.com),  
[servicedesk@homestyles-furniture.com](mailto:servicedesk@homestyles-furniture.com), 888-680-7460, 877-831-0319

## Assembly Instructions 2/3

### IMPORTANT

- \* Do not tighten up all the bolts until each part is properly assembled.
- \* You should keep Key Wrench in a safe place as you may need to tighten up the Head Cap Bolts in the future.
- \* Use a soft cloth between these parts and the floor.

### STEP 1



Insert Cam Lock Screws into the pre-drilled holes of Crown (A).

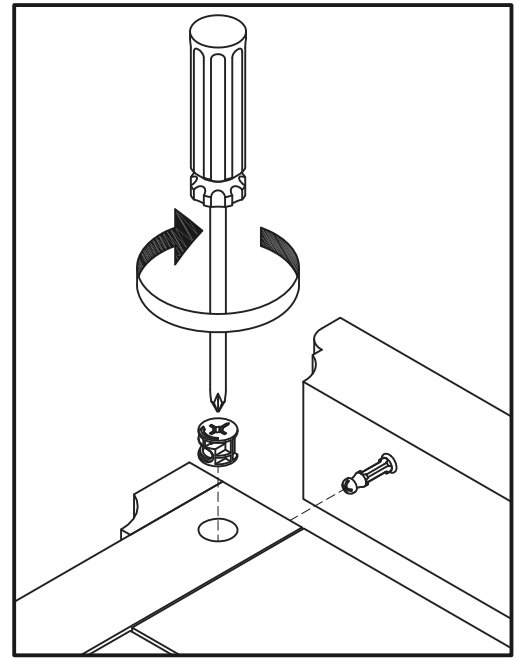
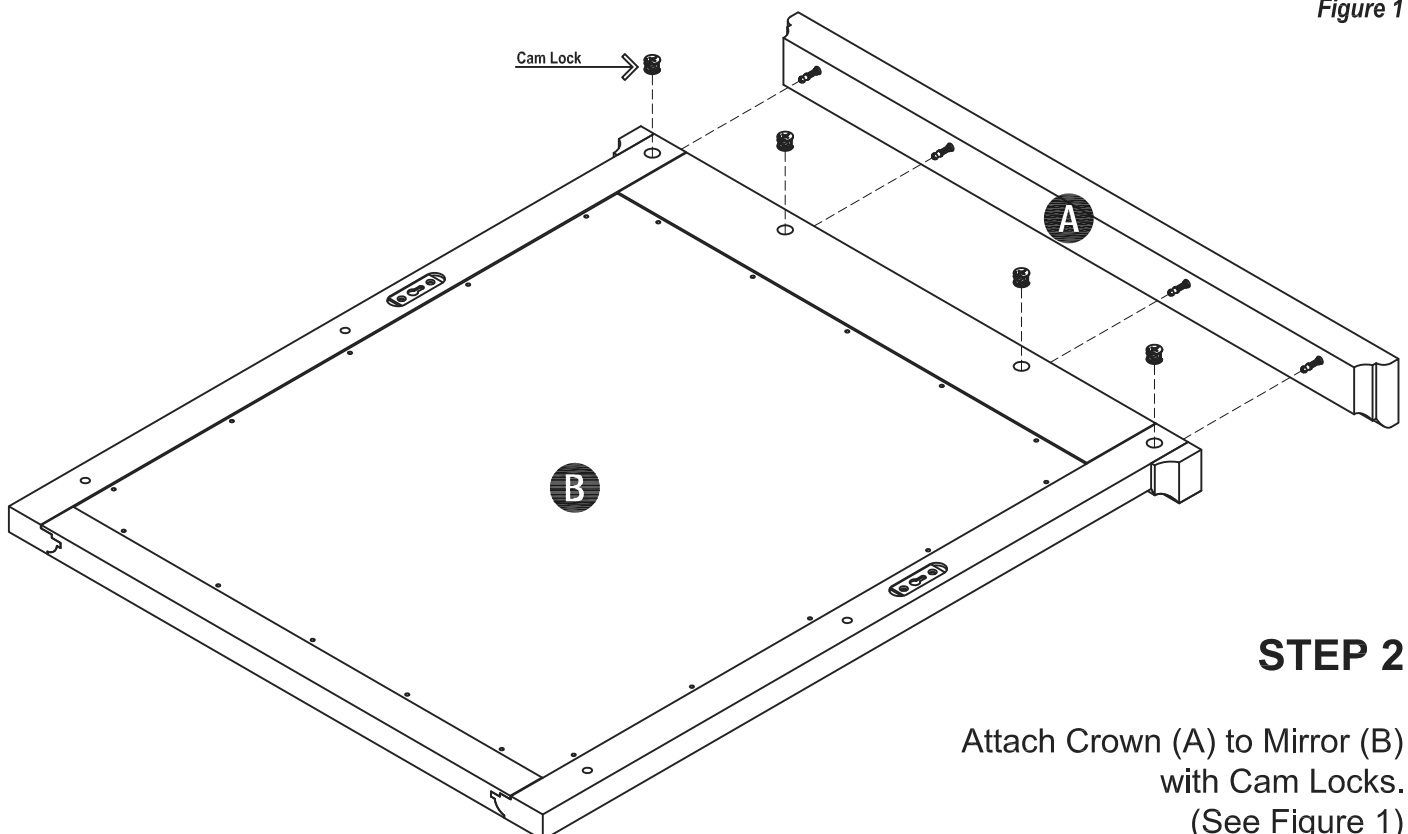


Figure 1

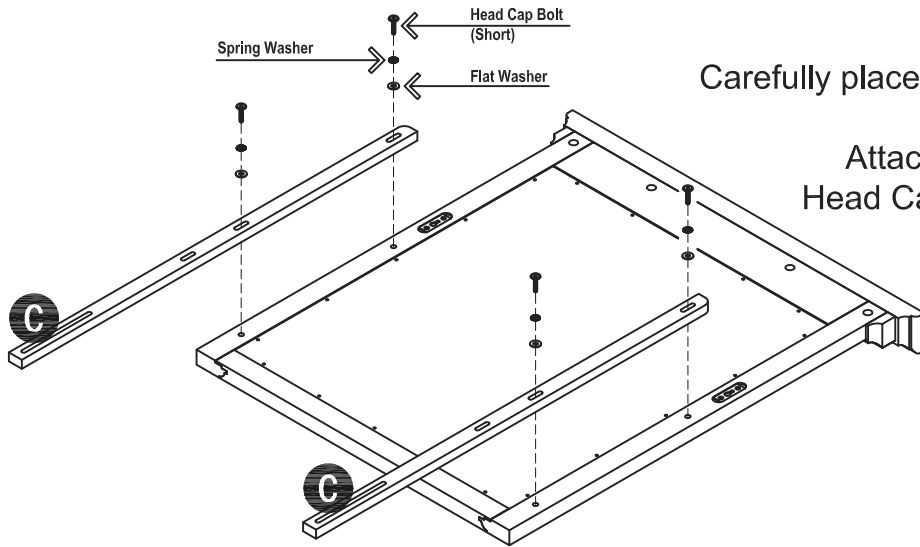


### STEP 2

Attach Crown (A) to Mirror (B) with Cam Locks.  
(See Figure 1)

# Assembly Instructions 3/3

## STEP 3



Carefully place Mirror face down on a soft cloth.

Attach Mirror Supports (C) to unit with Head Cap Bolts (Short), Spring Washers and Flat Washers.

Tighten with Key Wrench.  
(See Figure 1)

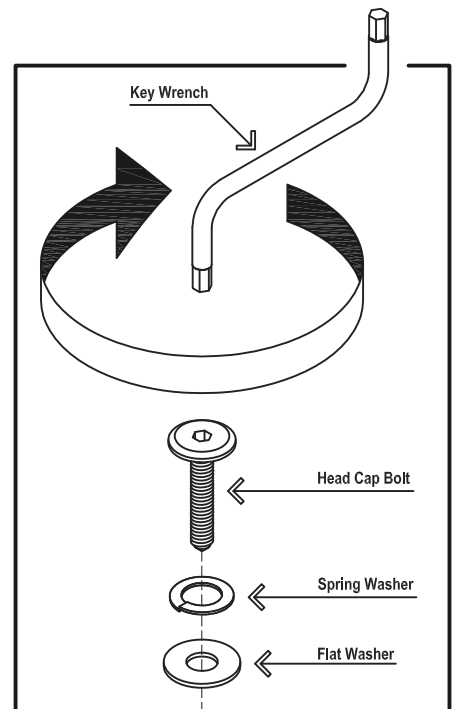
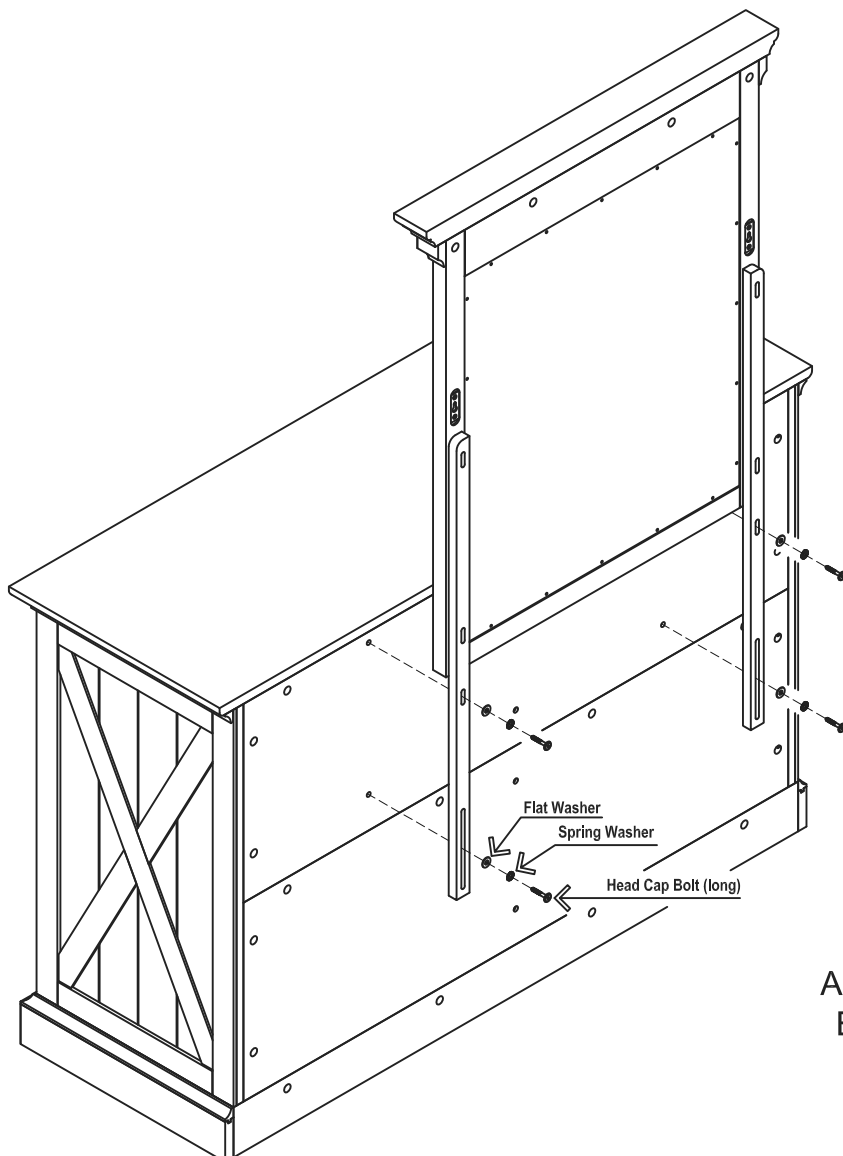


Figure 1



## STEP 4

Attach Mirror to Dresser with Head Cap Bolts (Long), Spring Washers and Flat Washers.

Tighten with Key Wrench.



# VERY IMPORTANT !!

## CARE INSTRUCTIONS

### NEVER

USE GLASS CLEANERS ON FINISHED FURNITURE. AMMONIA WILL CHEMICALLY ATTACK THE FINISH.

### NEVER

ALLOW LIQUIDS OF ANY KIND TO REMAIN ON THE FURNITURE. ABSORPTION CAUSES PART TO WARP AND SPLIT AND FINISHES TO DELAMINATE.

DO NOT WRITE DIRECTLY ON SURFACE.



**PREVENT MARKING**

DO NOT PLACE IN DIRECT SUNLIGHT.



**PREVENT FADING**

DO NOT USE COMMERCIAL WAXES AND POLISHES.



**PREVENT YELLOWING**

DO NOT PLACE HOT OBJECTS ON SURFACE.



**PREVENT FINISH DAMAGE**

DO NOT USE RUBBER BASED PLACE MATS.



**PREVENT DISCOLORING**

## TO CLEAN

USE A SOFT CLOTH MOISTENED IN LUKEWARM SOAP AND WATER, THEN BUFF WITH A DRY CLEAN CLOTH.



Home Styles will provide replacements free of charge for missing or damaged hardware or parts within 30 days of purchase. Digital images of the defective parts may be required. If this product was not purchased from an authorized retail affiliate, Home Styles is under no obligation to provide replacement parts. Parts are not available for fully assembled items nor are parts available for sale. Replacements for missing or damaged hardware or parts may be requested at:

[www.homestyles-furniture.com/customer\\_service](http://www.homestyles-furniture.com/customer_service)

**Home Styles Consumer Assistance:** [www.homestyles-furniture.com](http://www.homestyles-furniture.com),  
[servicedesk@homestyles-furniture.com](mailto:servicedesk@homestyles-furniture.com), 888-680-7460, 877-831-0319

# 88 5523 41 Chest



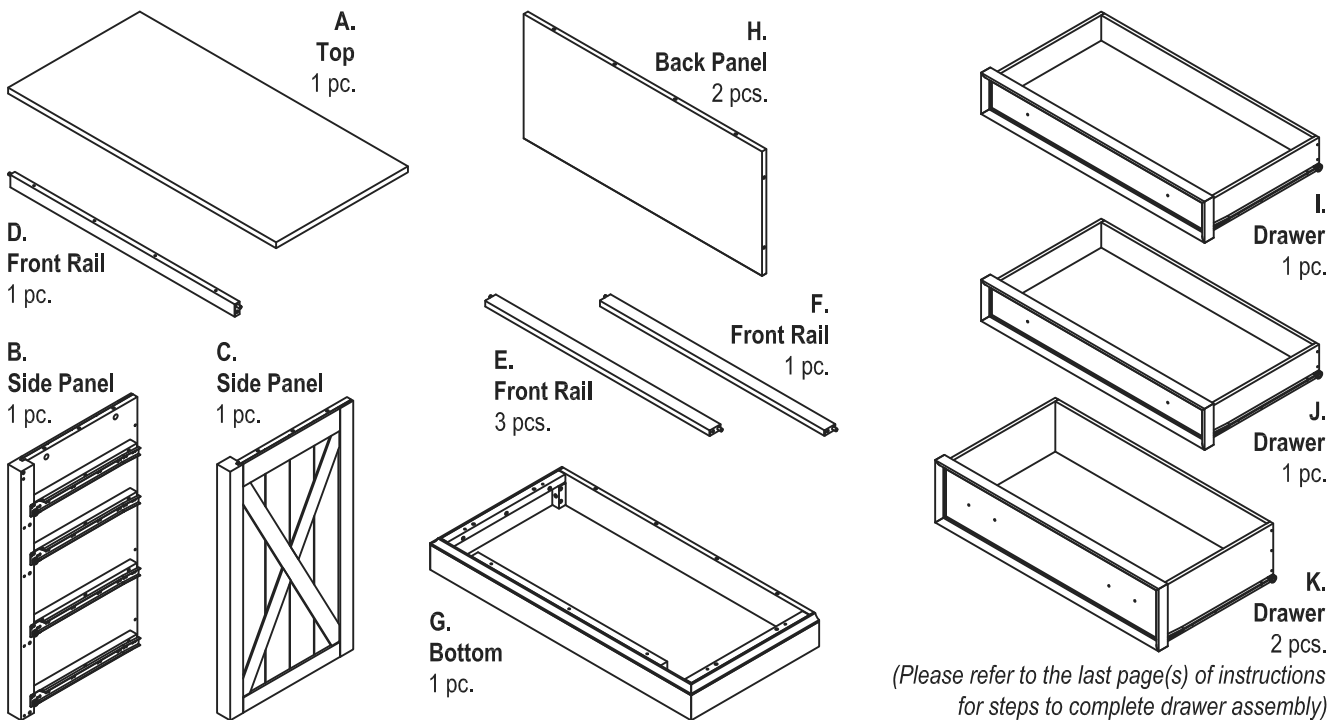
*Home  
Styles*

## IMPORTANT NOTE

Carefully remove all the parts from the carton and put them individually on a soft cloth to prevent scratches or other damage occurring to the parts.

We have taken great care in the design of this product and request that you carefully and strictly follow our assembly instructions to ensure a completed product as it was designed.

## Part List



## Hardware List



Cam Lock Screw  
34 pcs. (+4 extra)



Cam Lock  
34 pcs. (+4 extra)



(M4x38)  
1 3/4" Round Head Screw  
4 pcs. (+1 extra)



(M4x32)  
1 1/4" Round Head Screw  
7 pcs. (+1 extra)



(M3x32)  
1 1/4" Flat Head Screw  
64 pcs. (+1 extra)



(M3x19)  
3/4" Flat Head Screw  
28 pcs. (+1 extra)



(M4x22)  
Machine Screw  
12 pcs.



Knob  
4 pcs.



Handle  
4 pcs.

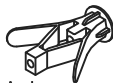


Wooden Dowel  
6 pcs. (+1 extra)

### Tipover Restraint Kit:



Tipover Restraint  
1 pc.



Anchor  
1 pc. (+1 extra)



1 1/2" Round Head Screw  
(M3x38)  
1 pc. (+1 extra)



1/2" Round Head Screw  
(M3x13)  
1 pc. (+1 extra)



Flat Washer  
2 pcs. (+1 extra)

Tools Required For Assembly : Phillips screwdriver, Drill, 3/8" Drill Bit, Level

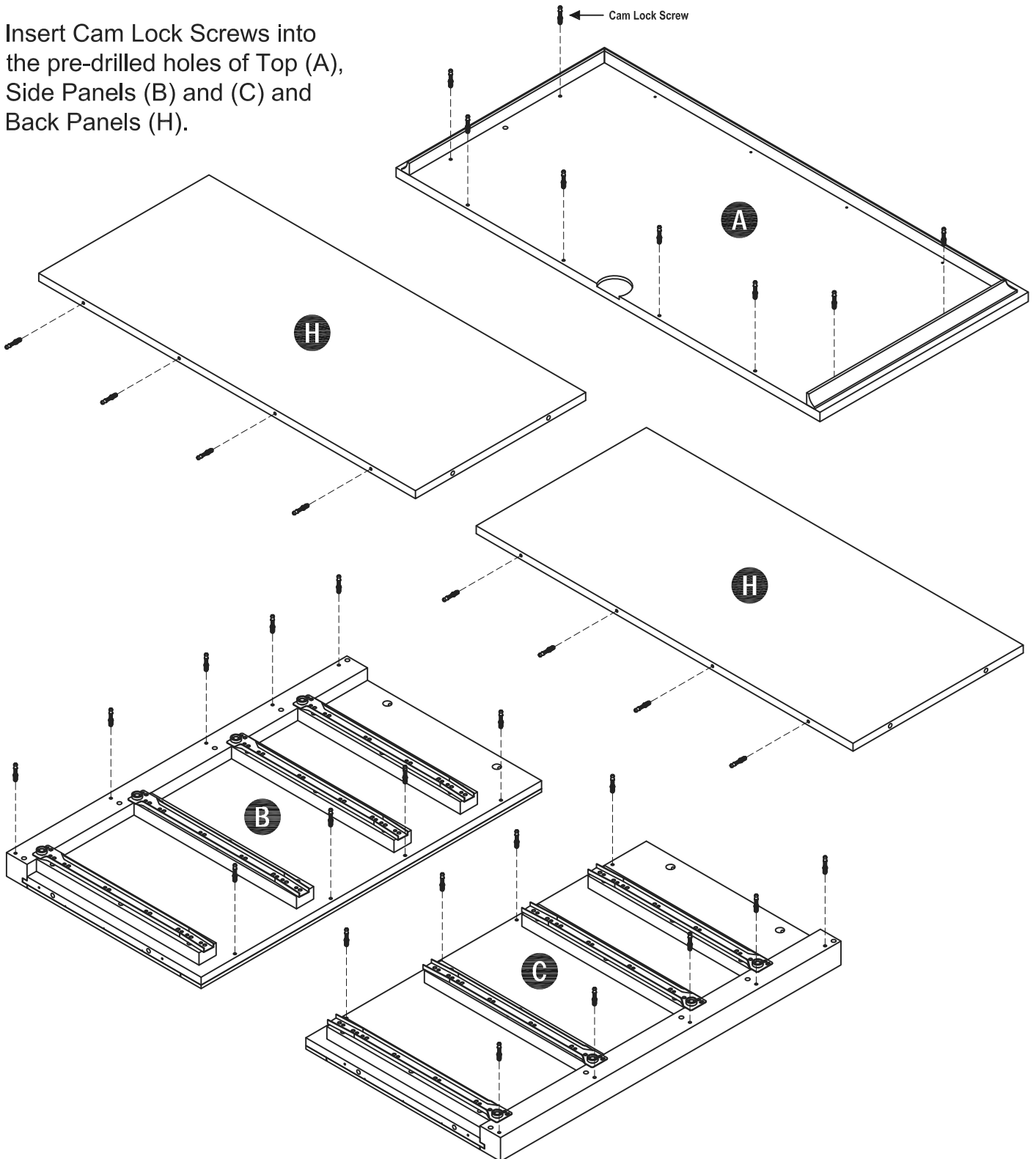
**Home Styles Consumer Assistance:** [www.homestyles-furniture.com](http://www.homestyles-furniture.com),  
[servicedesk@homestyles-furniture.com](mailto:servicedesk@homestyles-furniture.com), 888-680-7460, 877-831-0319

## IMPORTANT

- \* Do not tighten up all the screws until each part is properly assembled.
- \* Use a soft cloth between these parts and the floor.
- \* After assembly, item must be level to work properly.  
Use the included adjustable levelers to level.

## STEP 1

Insert Cam Lock Screws into the pre-drilled holes of Top (A), Side Panels (B) and (C) and Back Panels (H).



**STEP 2**

Assemble Back Panels (H) with Cam Locks. (See Figure 1)

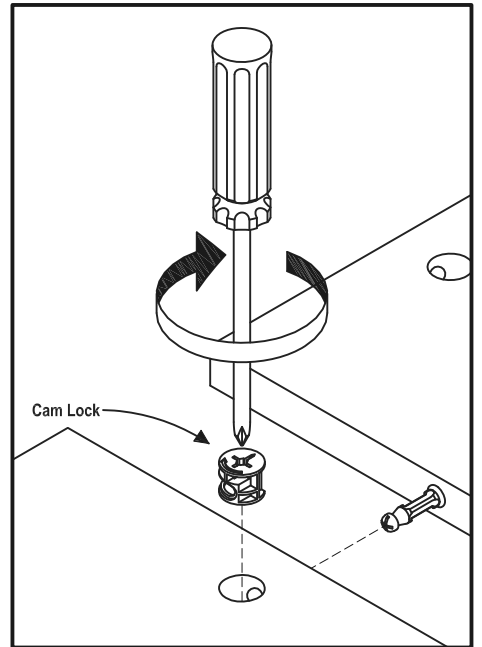
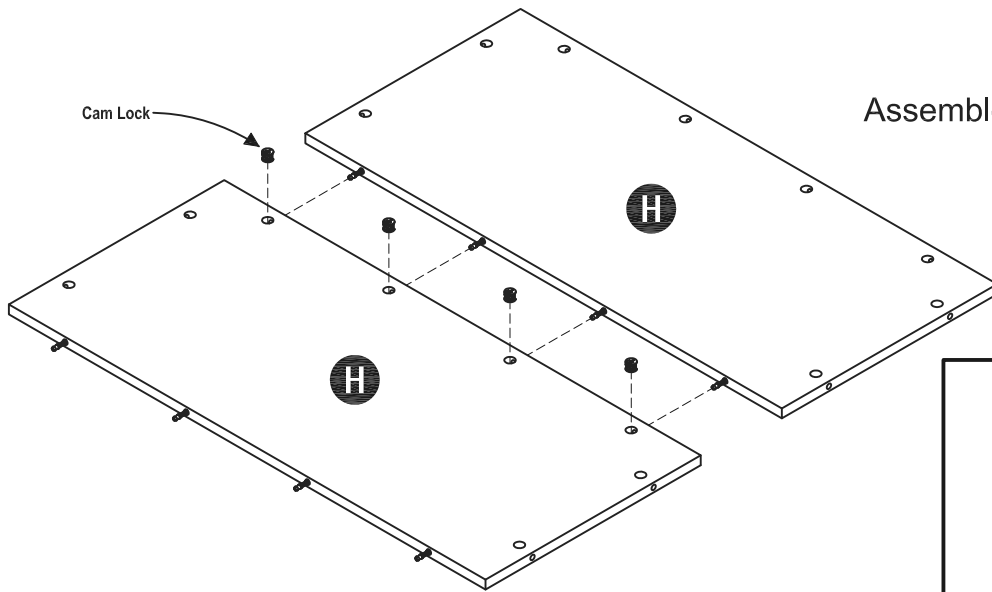
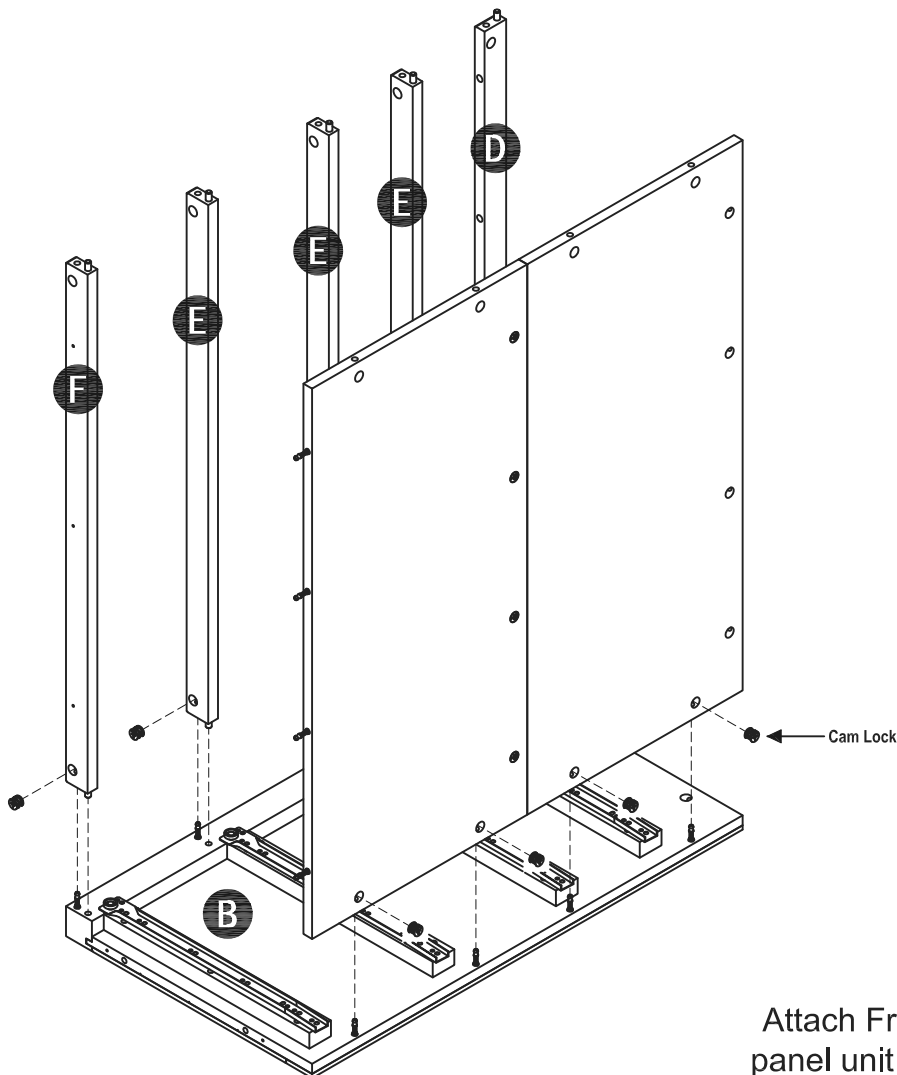


Figure 1

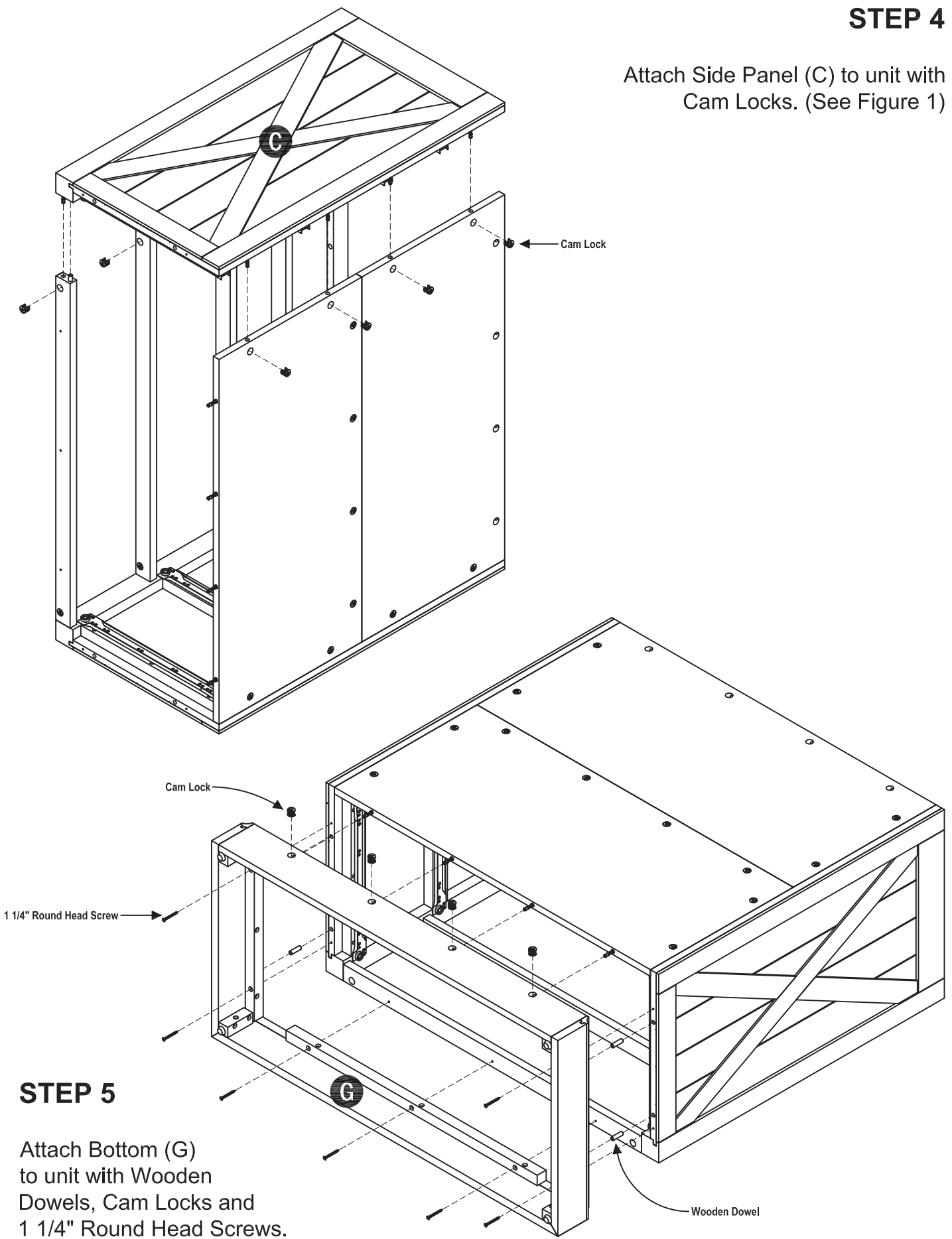


**STEP 3**

Attach Front Rails (D), (E) and (F) and back panel unit to Side Panel (B) with Cam Locks.

**STEP 4**

Attach Side Panel (C) to unit with Cam Locks. (See Figure 1)



**STEP 5**

Attach Bottom (G) to unit with Wooden Dowels, Cam Locks and 1 1/4" Round Head Screws.

## STEP 6

Attach Top (A) to unit with Wooden Dowels, Cam Lock and 1 3/4" Round Head Screws.

**Note: A Philips screwdriver 5" or less in length is recommended.**

To level the unit, adjust the adjustable levelers on the bottom of the legs. (See Figure 2)

**Note: Unit must be level to work properly.**

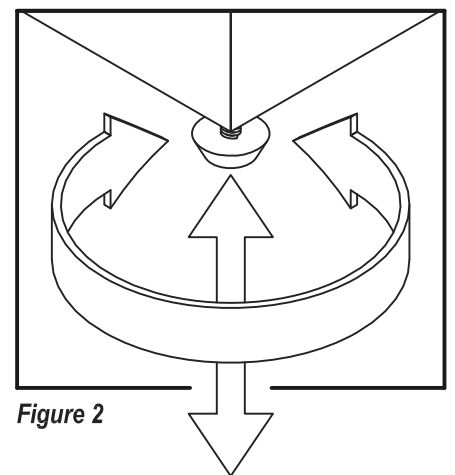
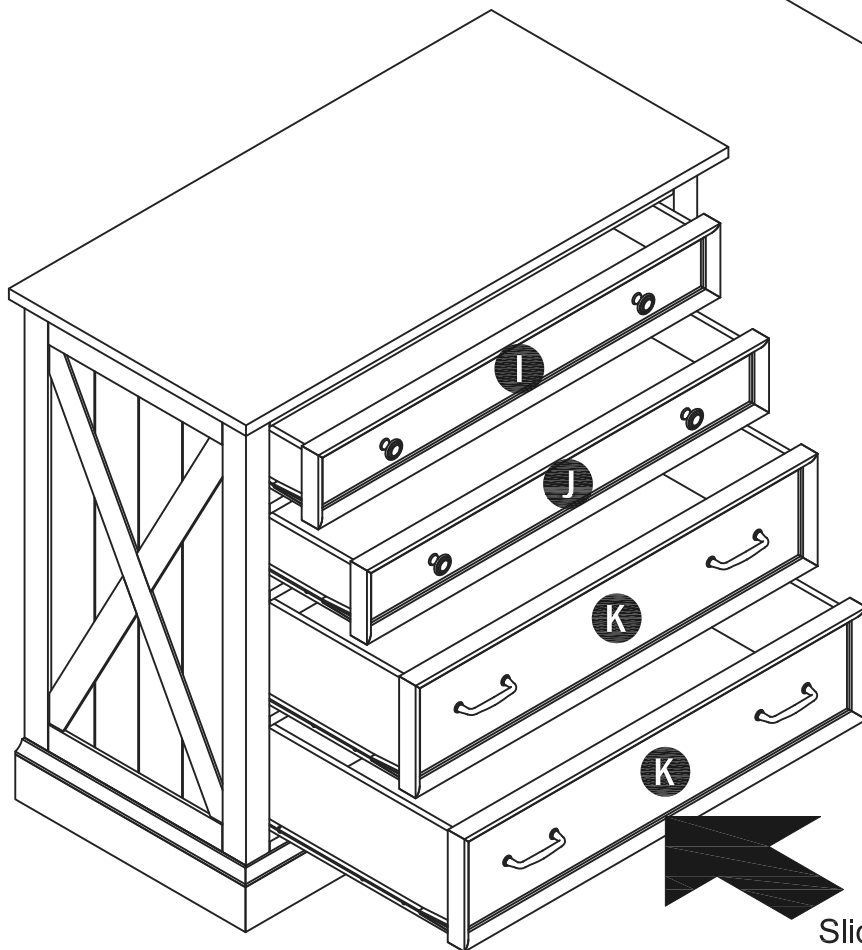
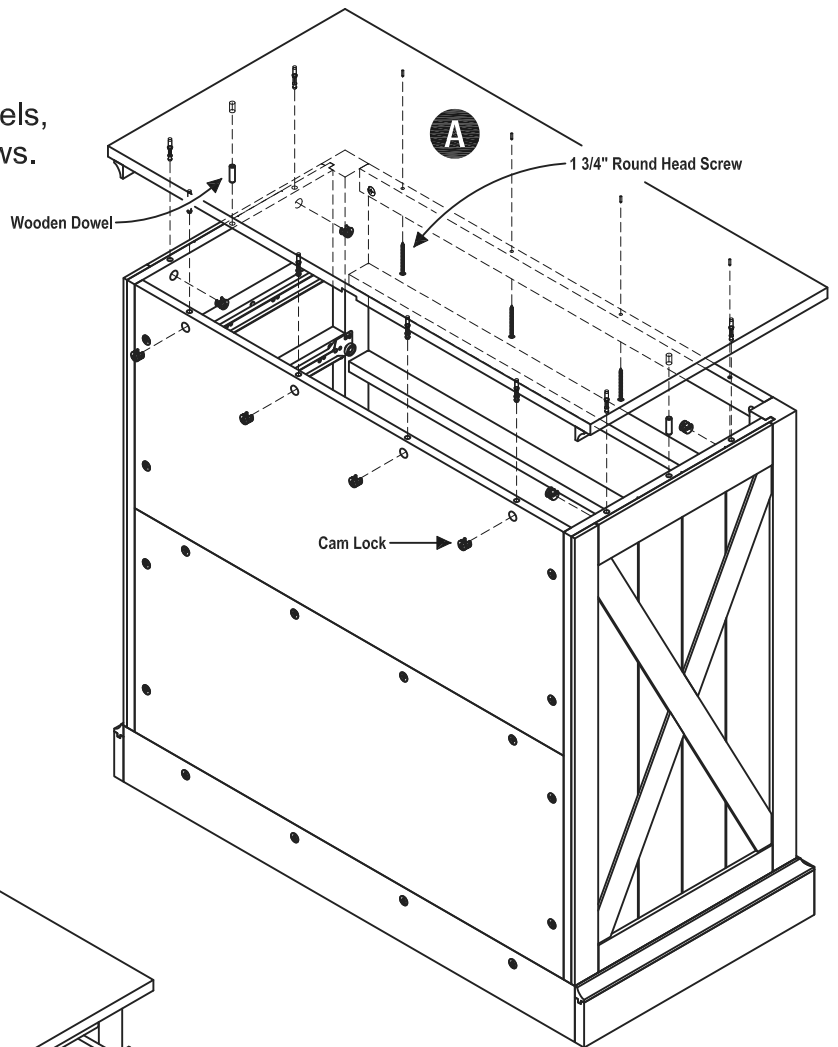


Figure 2

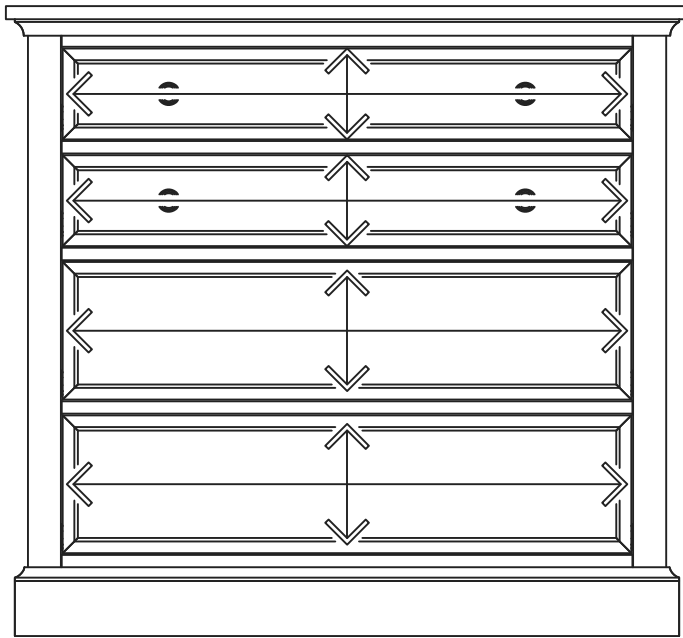
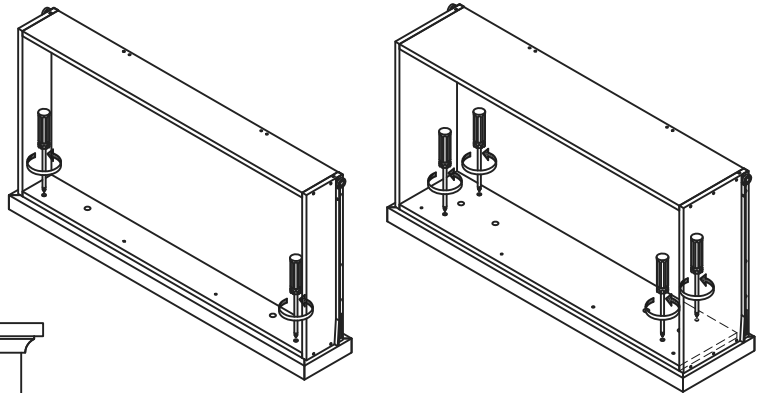
## STEP 7

Slide Drawers (I), (J) and (K) into place.

Note: Follow the steps on the next page to use 3/4" Flat Head Screws to complete drawer assembly.

## STEP 8

Loosen slightly the screws pre-installed on the back of the drawer fronts.

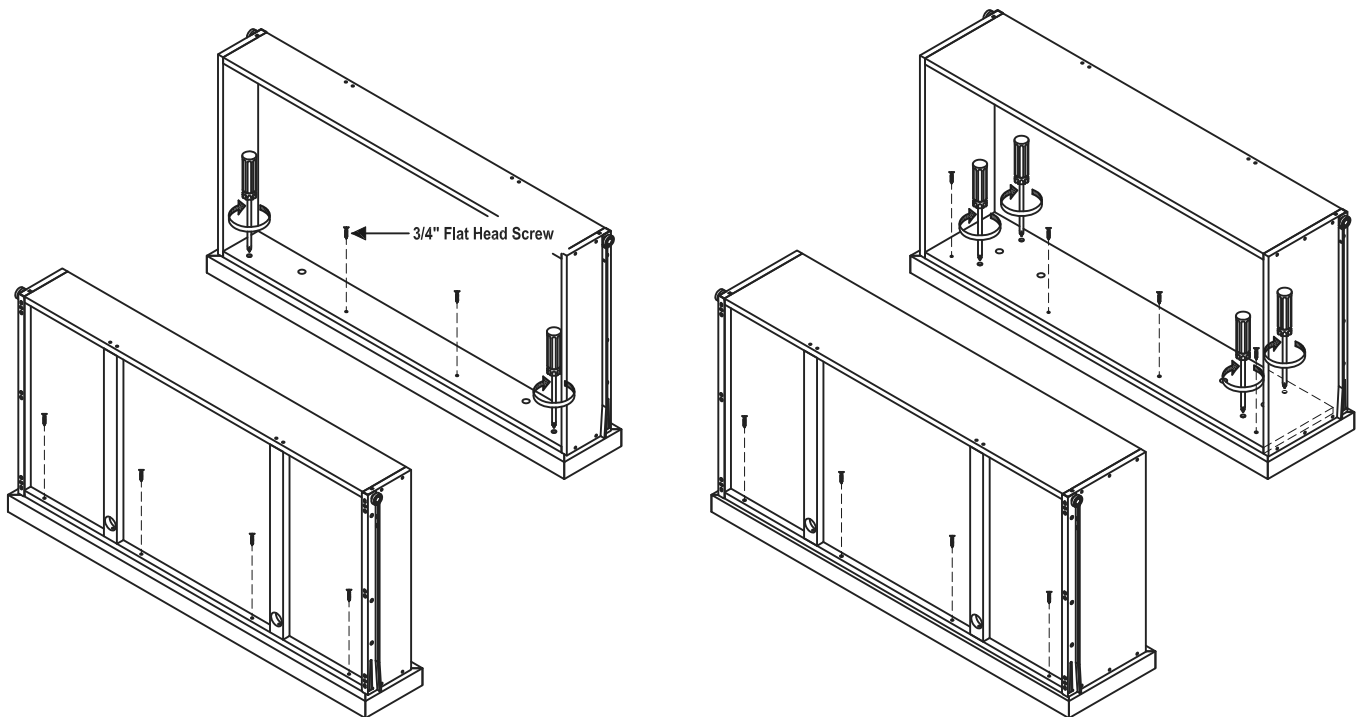


## STEP 9

Insert the drawer into the unit, then adjust the drawer front panel left or right and up or down until the drawer gaps look proportional.

## STEP 10

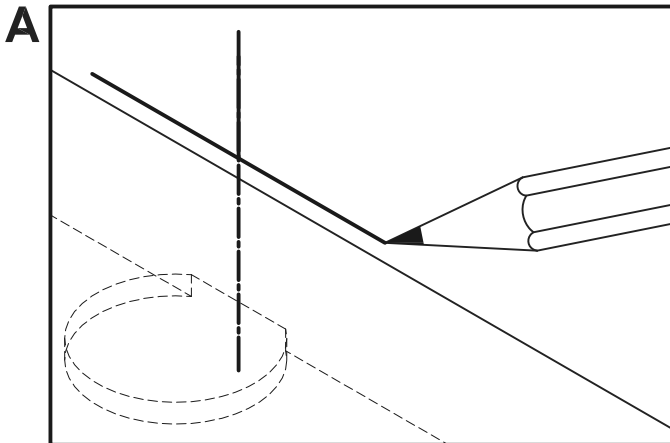
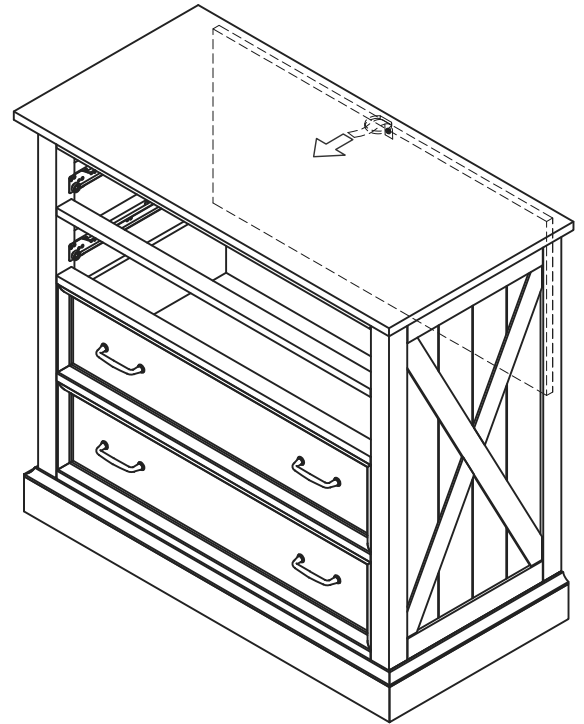
Pull the drawer open slowly and re-tighten the screws from Step 8. Make sure the front panel does not move and lock the drawer front panel into position with 3/4" Flat Head Screws.



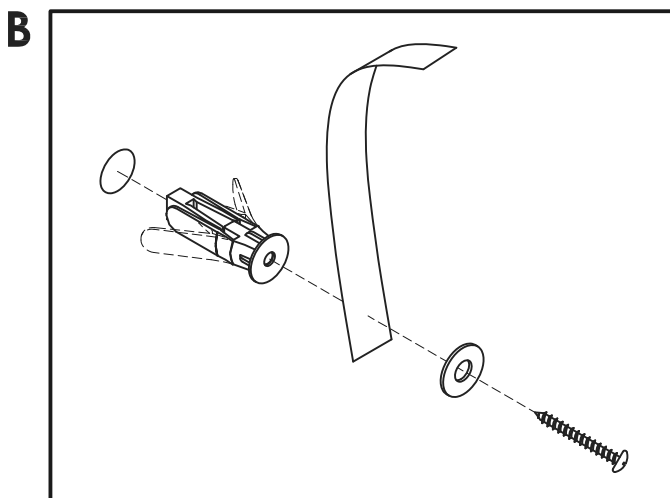
**Note: These 3/4" Flat Head Screws on this page must be installed to complete the drawer assembly.**

## ATTENTION!

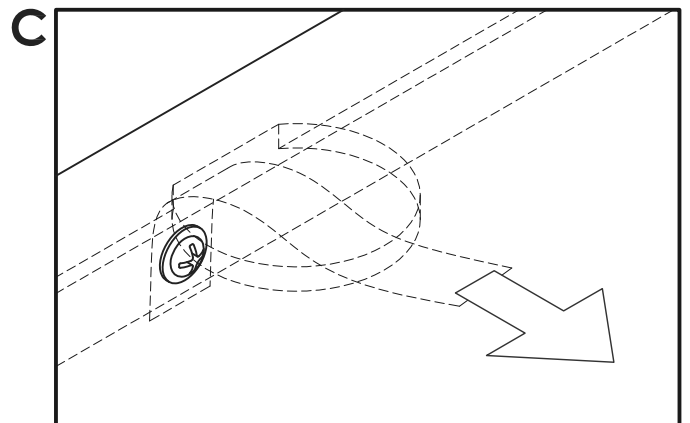
To help reduce the risk of the unit tipping over, the Tipover Restraint must be installed following these instructions exactly!



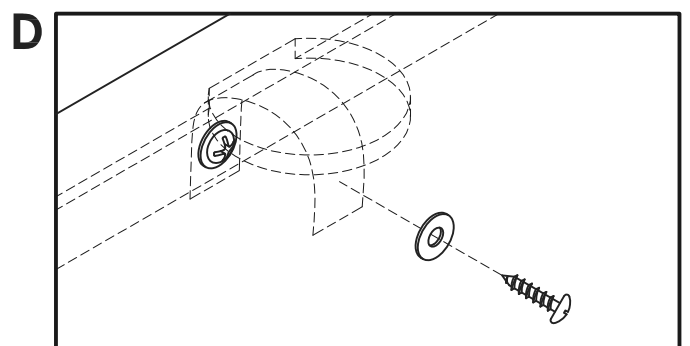
- Place the unit at desired location.
- Remove Drawers (L,M) from unit.
- Mark wall with pencil to show position of hole in Top (A).
- Move unit.



- Drill a 3/8" hole in wall 1 1/2" below mark.
- Insert Anchor into the wall hole.
- Attach Tipover Restraint to Anchor with 1 1/2" Round Head Screw and Flat Washer.



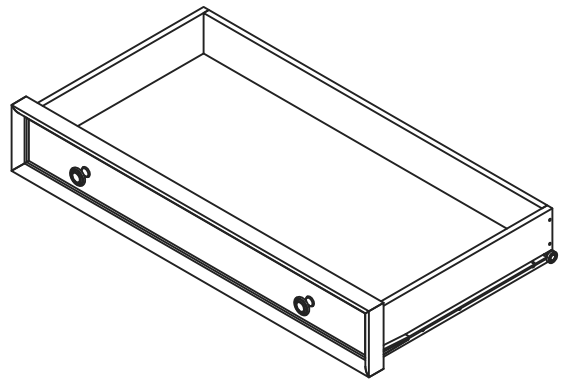
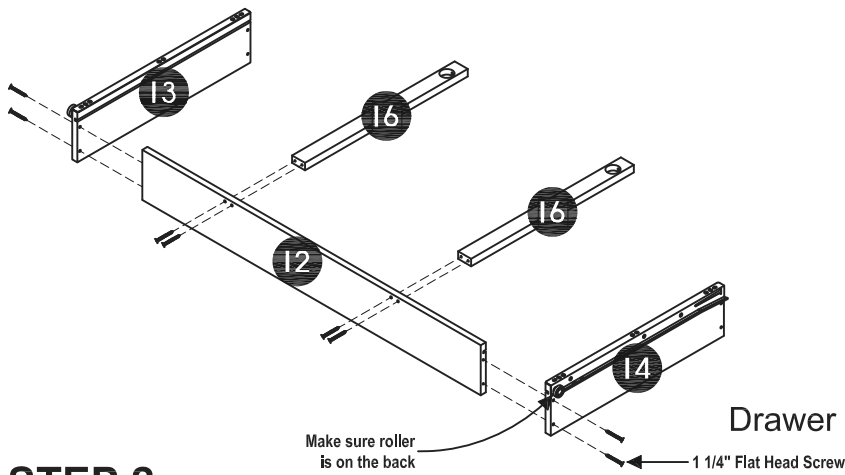
- Move unit back into place.
- Insert Tipover Restraint into unit through hole in Top (A).



- Screw Tipover Restraint to unit with 1/2" Round Head Screw and Flat Washer.
- Slide Drawers (I,J) back into place.



# Drawer (I)



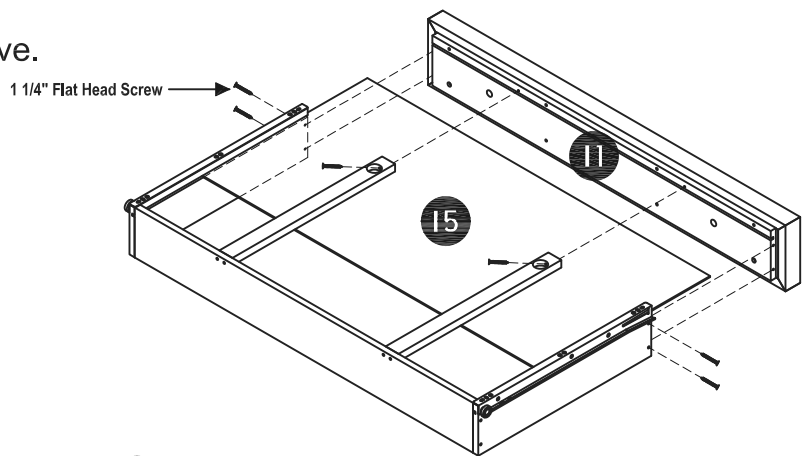
## STEP 1

Attach Drawer Sides (I3) and (I4) and Drawer Supports (I6) to Drawer Back (I2) with 1 1/4" Flat Head Screws.

## STEP 2

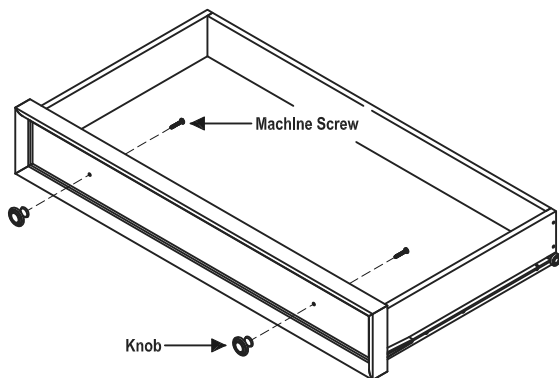
Insert Drawer Bottom (I5) into the groove.

Attach Drawer Front (I1) to unit with 1 1/4" Flat Head Screws.



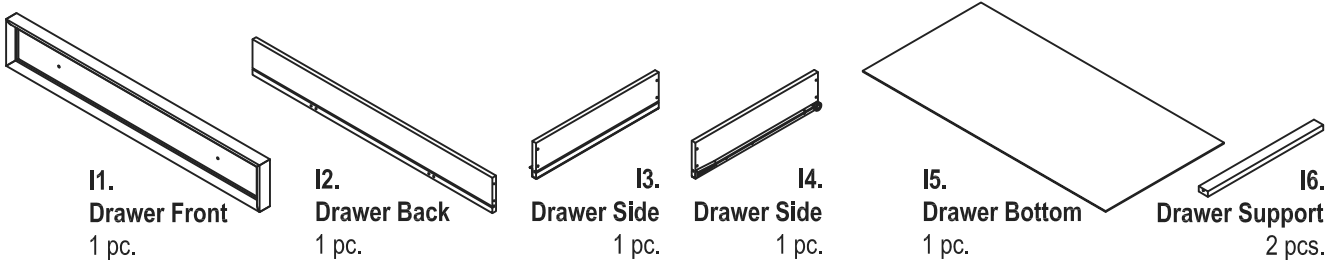
## STEP 3

Attach Knobs with Machine Screws.

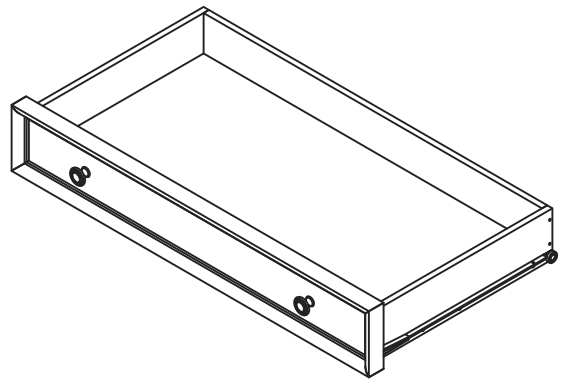
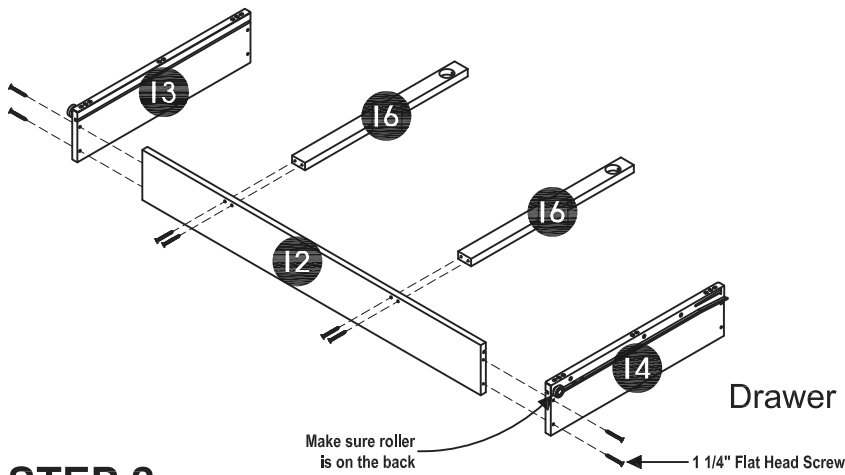


Note: Drawer assembly is not complete until 3/4" Flat Head Screws are used in a later step.

## Part List



# Drawer (J)



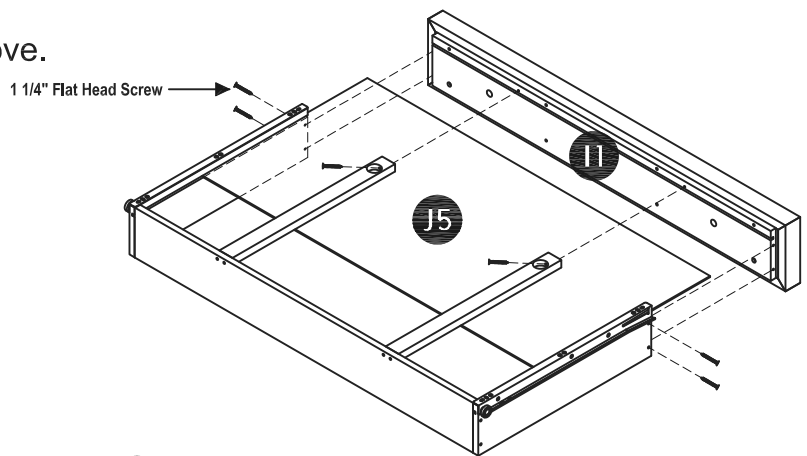
## STEP 1

Attach Drawer Sides (I3) and (I4) and Drawer Supports (I6) to Drawer Back (I2) with 1 1/4" Flat Head Screws.

## STEP 2

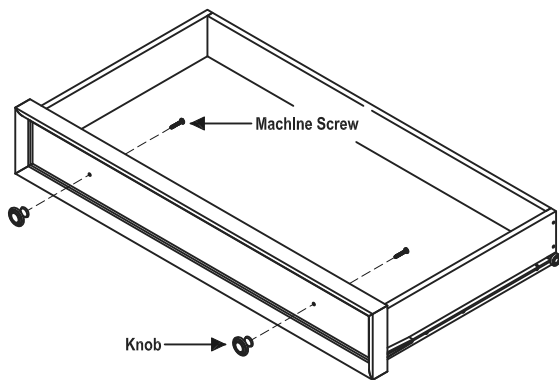
Insert Drawer Bottom (J5) into the groove.

Attach Drawer Front (I1) to unit with 1 1/4" Flat Head Screws.



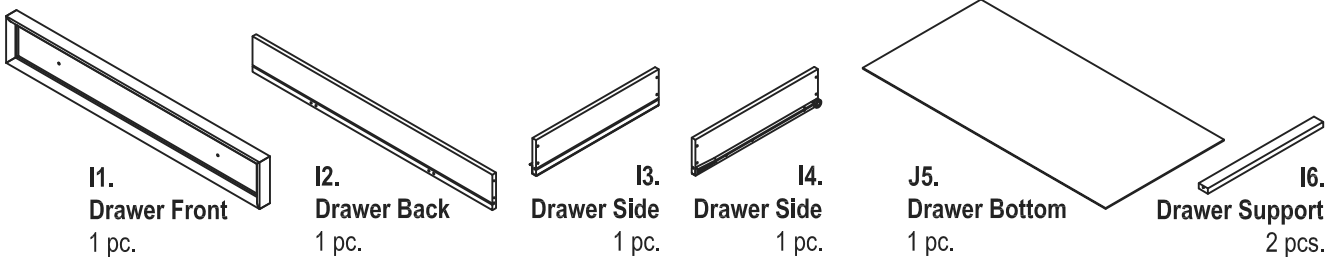
## STEP 3

Attach Knobs with Machine Screws.

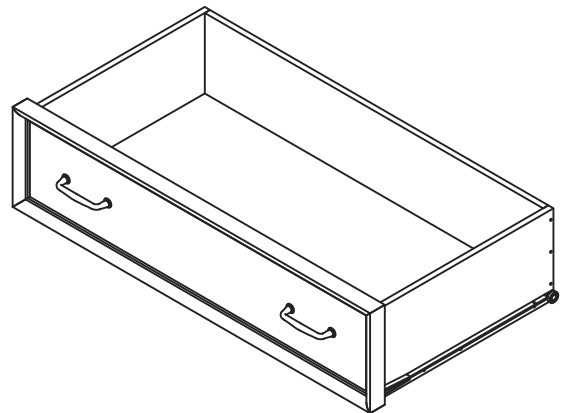
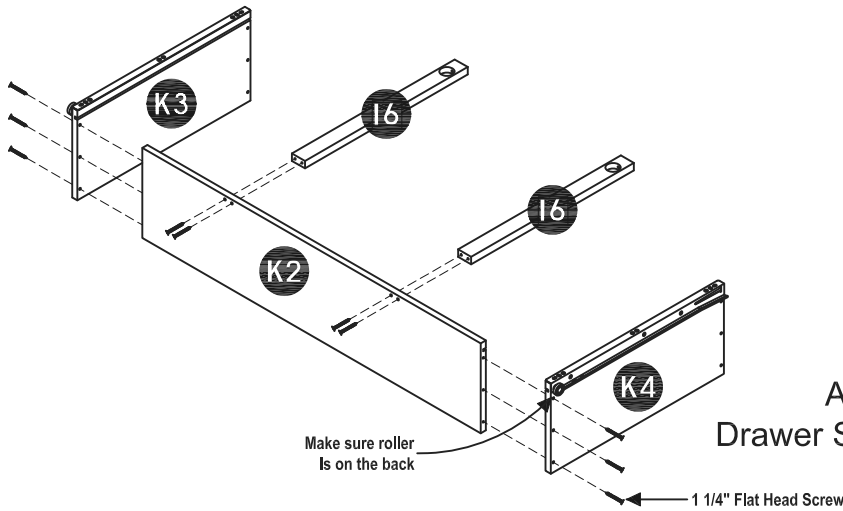


Note: Drawer assembly is not complete until 3/4" Flat Head Screws are used in a later step.

## Part List



# Drawer (M)



## STEP 1

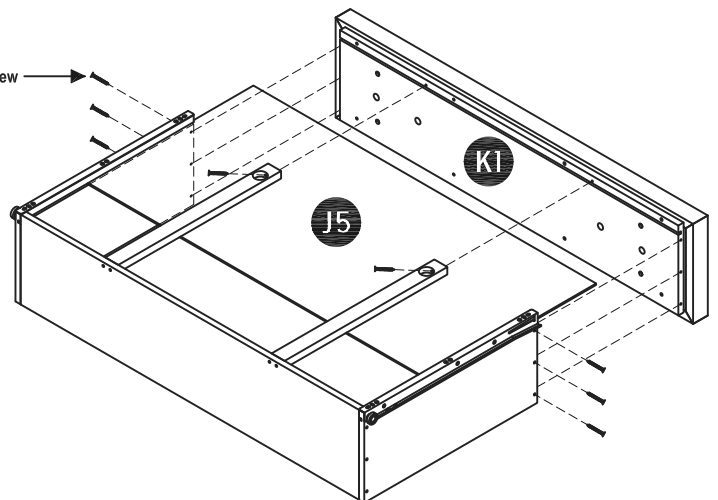
Attach Drawer Sides (K3) and (K4) and Drawer Supports (I6) to Drawer Back (K2) with 1 1/4" Flat Head Screws.

## STEP 2

Insert Drawer Bottom (J5) into the groove.

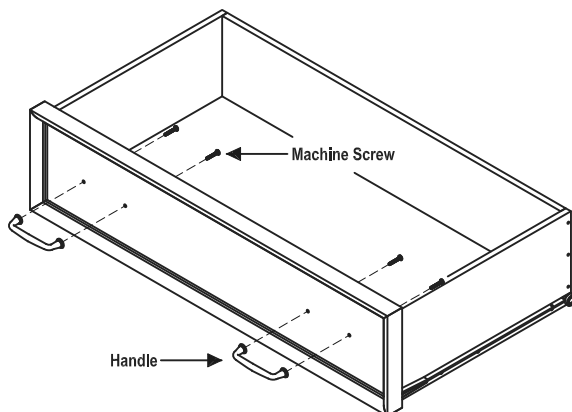
Attach Drawer Front (K1) to unit with 1 1/4" Flat Head Screws.

1 1/4" Flat Head Screw



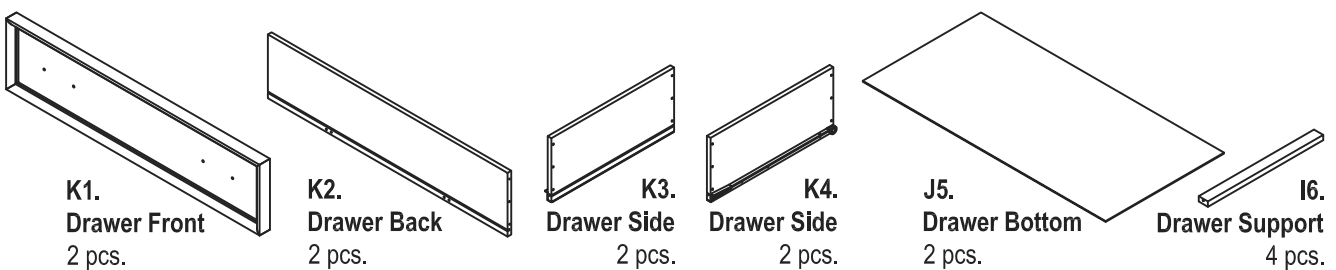
## STEP 3

Attach Handles with Machine Screws.



Note: Drawer assembly is not complete until 3/4" Flat Head Screws are used in a later step.

## Part List



# VERY IMPORTANT !!

## CARE INSTRUCTIONS

### NEVER

USE GLASS CLEANERS ON FINISHED FURNITURE. AMMONIA WILL CHEMICALLY ATTACK THE FINISH.

### NEVER

ALLOW LIQUIDS OF ANY KIND TO REMAIN ON THE FURNITURE. ABSORPTION CAUSES PART TO WARP AND SPLIT AND FINISHES TO DELAMINATE.

DO NOT WRITE DIRECTLY ON SURFACE.



**PREVENT MARKING**

DO NOT PLACE IN DIRECT SUNLIGHT.



**PREVENT FADING**

DO NOT USE COMMERCIAL WAXES AND POLISHES.



**PREVENT YELLOWING**

DO NOT PLACE HOT OBJECTS ON SURFACE.



**PREVENT FINISH DAMAGE**

DO NOT USE RUBBER BASED PLACE MATS.



**PREVENT DISCOLORING**

## TO CLEAN

USE A SOFT CLOTH MOISTENED IN LUKEWARM SOAP AND WATER, THEN BUFF WITH A DRY CLEAN CLOTH.



Home Styles will provide replacements free of charge for missing or damaged hardware or parts within 30 days of purchase. Digital images of the defective parts may be required. If this product was not purchased from an authorized retail affiliate, Home Styles is under no obligation to provide replacement parts. Parts are not available for fully assembled items nor are parts available for sale. Replacements for missing or damaged hardware or parts may be requested at:

[www.homestyles-furniture.com/customer\\_service](http://www.homestyles-furniture.com/customer_service)

**Home Styles Consumer Assistance:** [www.homestyles-furniture.com](http://www.homestyles-furniture.com),  
[servicedesk@homestyles-furniture.com](mailto:servicedesk@homestyles-furniture.com), 888-680-7460, 877-831-0319