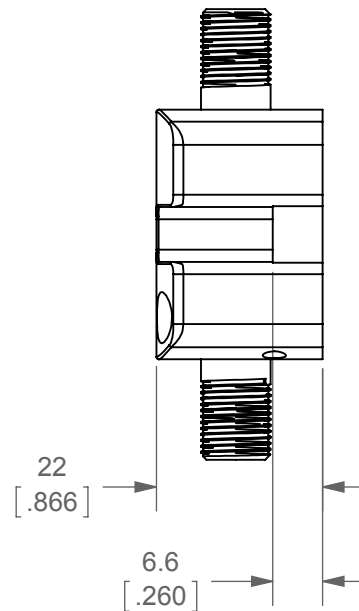



PARAMETER	FREQUENCY	TYP (dB)	QC (dB)
	RANGE (MHz)		
INSERTION LOSS (IN-OUT)	5 - 40	4.4	4.5
	40 - 1000	4.9	5.0
	1000 - 2050	5.7	5.8
	2050 - 2400	6.4	6.5
ISOLATION (OUT-OUT)	5 - 40	17	16
	40 - 1000	21	20
	1000 - 2050	21	20
	2050 - 2400	21	20
RETURN LOSS	5 - 40	11	10
	40 - 1000	13	12
	1000 - 2050	13	12
	2050 - 2400	11	10



NOTES:

1. PRIMARY DIMENSIONS ARE IN mm.
2. SECONDARY DIMENSIONS ARE IN in.
3. COVER IS SOLDERED ON (EMI-RFI>-80dB).
4. FREQUENCY RANGE: 5 - 2400MHz.

				TITLE: 2-WAY SATELLITE DIGITAL CABLE SPLITTER			
				P/N: 85-332			
				MAT'L: ZINC CASE			
DO NOT SCALE DRAWING		TOLERANCES UNLESS OTHERWISE SPECIFIED DIMENSIONS ON THIS PRINT ARE FOR REFERENCE ONLY.		PART VOLUME N/A		FINISH: NICKEL PLATING	
				SCALE: 1:1	DRW.BY: RWS	CKDBY: RWS	APP.BY: RWS
 IDEAL INDUSTRIES, INC. SYCAMORE, ILLINOIS, U.S.A.				DATE 3-26-13		DRWG. NO. CD-85-332	