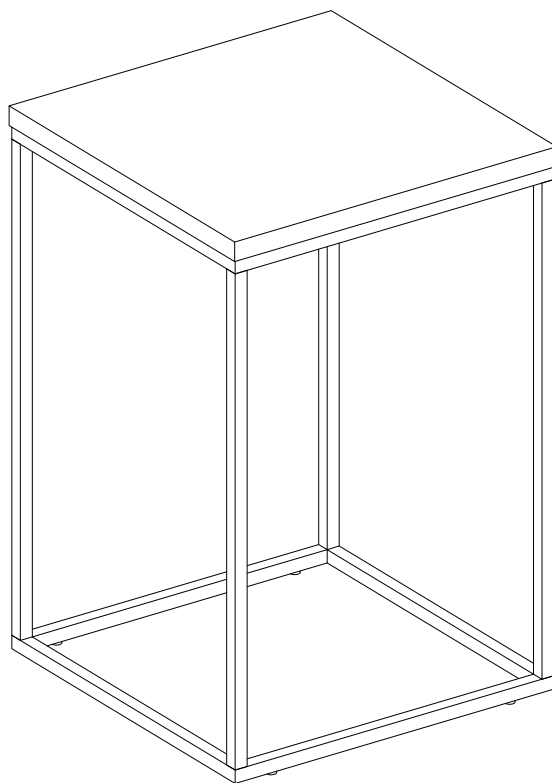




Walker<sup>®</sup>  
Edison

Item # : AF16LWST  
Assembly Instructions

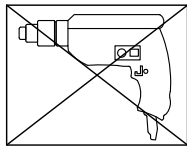


*Please visit our website for the most current instructions, assembly tips, report damage, or request parts. [www.walkeredison.com](http://www.walkeredison.com)*

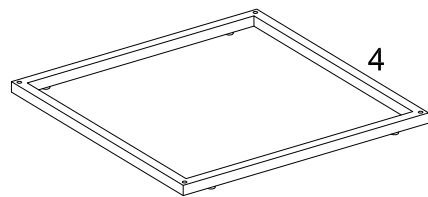
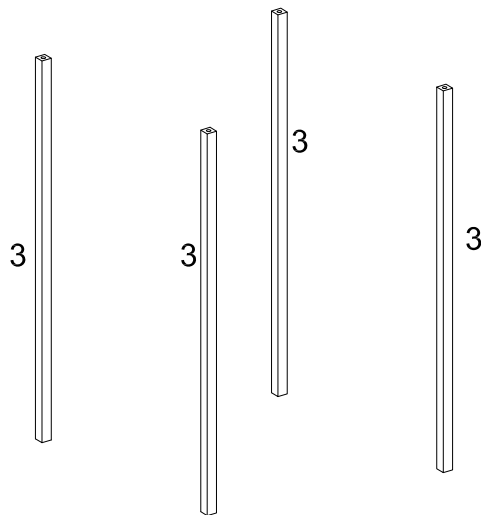
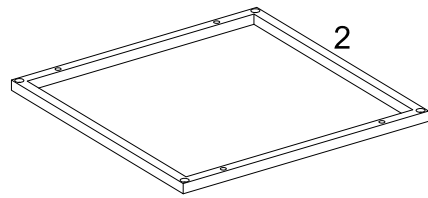
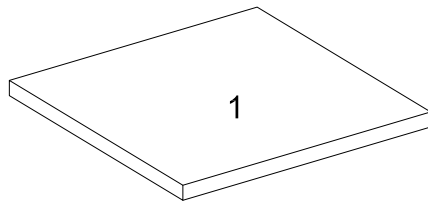
Revised 05/02/2018

# General Assembly Guidelines




- I. Ensure that all parts and hardware are available before beginning assembly.
- II. Follow each step carefully to ensure the proper assembly of this product.
- III. Two people are recommended for ease in the assembly of this product.
- IV. The main type of hardware used to assemble this product is: bolts.
- V. Power tools should not be used to assemble this product .



# Parts List

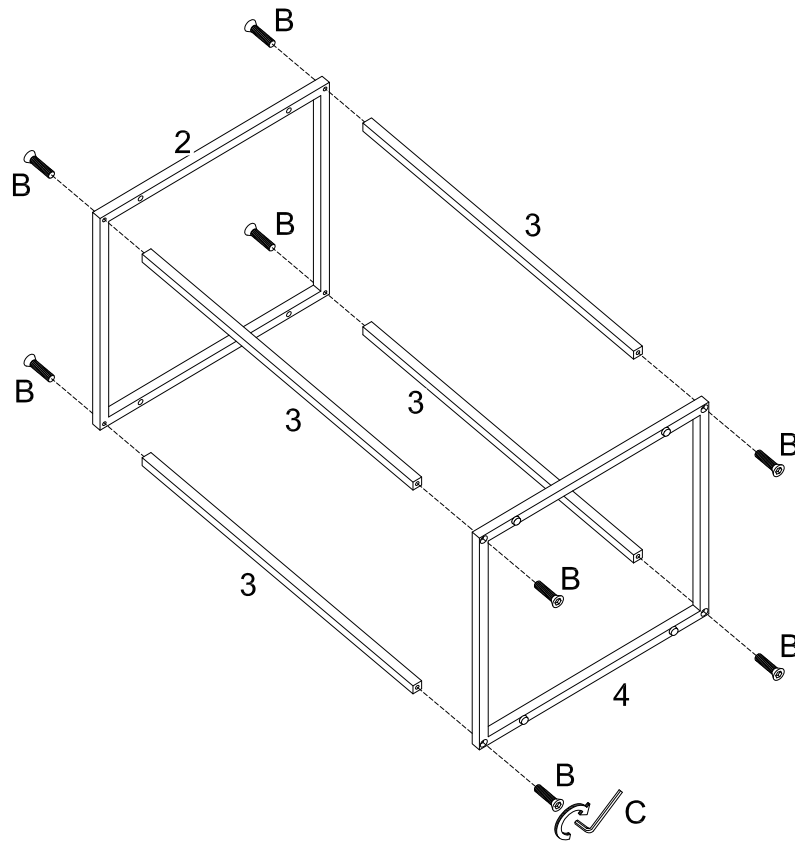


# Hardware List

A		Ø6x28mm	Bolt	4 pcs
B		Ø6x25mm	Bolt	8 pcs
C		M4	Hex Key	1 pcs

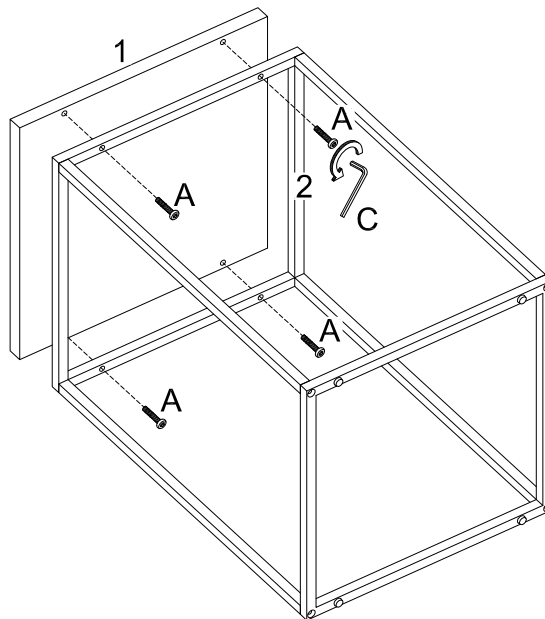
*The hardware quantities listed above are required for proper assembly.  
Some extra hardware may also have been included.*

# Step 1



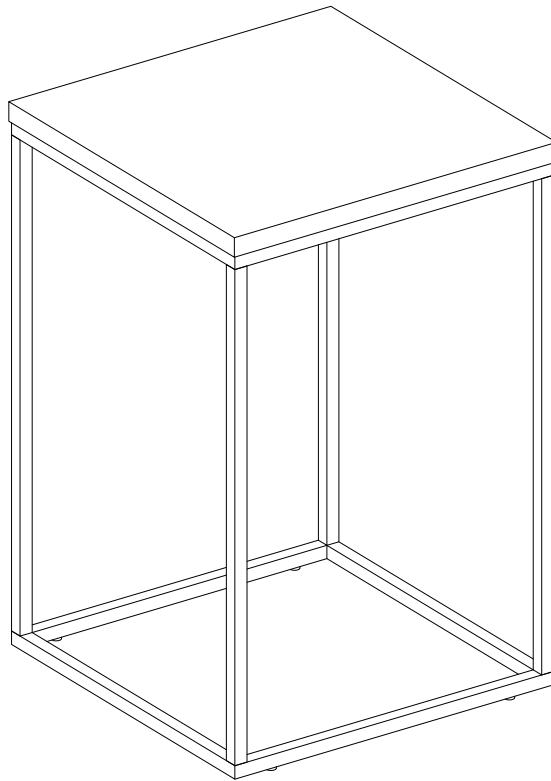
Attach part (2,4) to part (3) using bolt (B) with hex key (C).

# Step 2



Attach part (2) to part (1) using bolt (A) with hex key (C).

# Step 3



## Final Assembly