

# Instruction Sheet

## Kit Number: 79106300

### BAGGER ATTACHMENT KIT – 44" & 48" DECKS

**NOTICE:** This kit is required to install bagger 89100800 on 44" and 48" mower decks. Refer to the bagger Operator's Manual for additional installation instructions.

**WARNING:** FAILURE TO FOLLOW INSTRUCTIONS could result in personal injury and/or damage to unit.  
Read, understand, and follow all safety practices in Operator's Manual before beginning.

### Package Contents

Check the contents of your kit for the parts listed below. Also see Figure 1.

Item	Description	Qty	Ariens P/N
1	Counter Weight Plate**	6	**
2	1/2"-13 x 4" Hex Bolt**	2	**
3	7/32" x 1" Flat Washer**	2	**
4	1/2"-13 Nylon Locking Flange Nut**	2	**
5	Baffle	1	05146851
6	3/8"-16 x 3/4" Hex Bolt	2	05959400
7	3/8"-16 Nylon Top Locking Flange Nut	2	06542000
8	1" ID x 6" & 4" OD Double Pulley	1	07347851
9	3/8"-16 x 2 3/4" Gr. 8 Hex Bolt	1	05963000
10	AA Wrapped Hex Belt	1	07200826
11	Belt Cover	1	05146500
** Included with 89100800 Bagger			

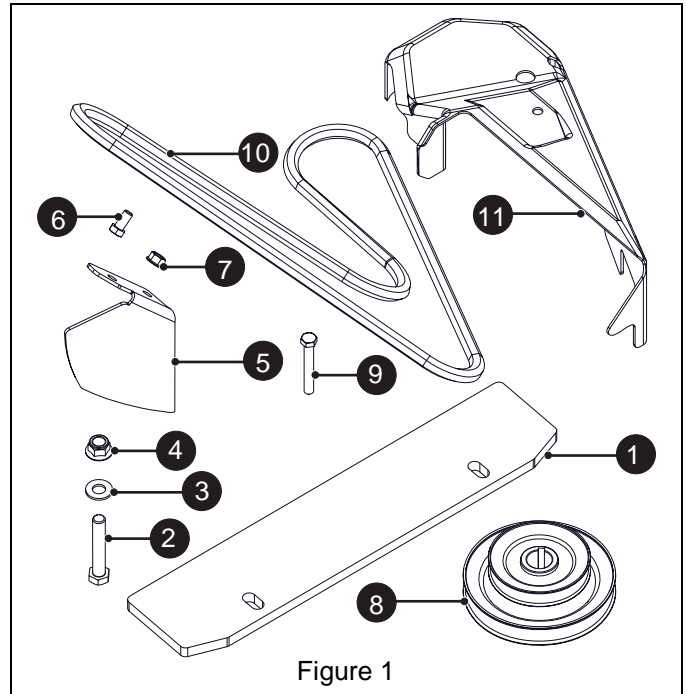


Figure 1

### INSTALL COUNTERWEIGHTS

**CAUTION:** ALWAYS install counterweights before operating unit with bagger attached.

1. Stop engine, remove key and engage parking brake. Wait for moving parts to stop and for hot parts to cool.
2. Disconnect spark plug wires.
3. Insert five counter weight plates (item 1) one at a time into left footrest opening. Plates are positioned with angled corners facing forward.

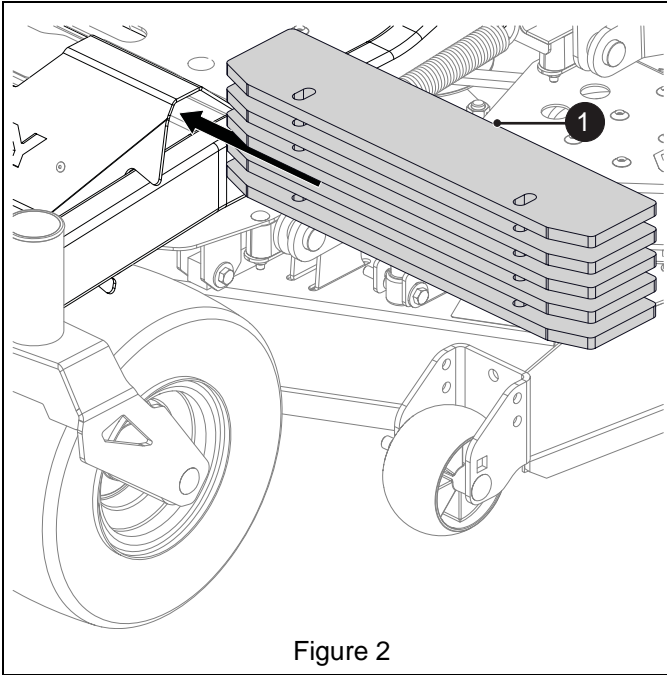


Figure 2

4. Position one counterweight plate under the frame crossmember. Plate is positioned with angled corners facing rearward. Secure weight plates with two 1/2 x 4" hex bolts (item 2), two flat steel washers (item 3) and two 1/2" nylon locking flange nuts (item 4). See Figure 3.

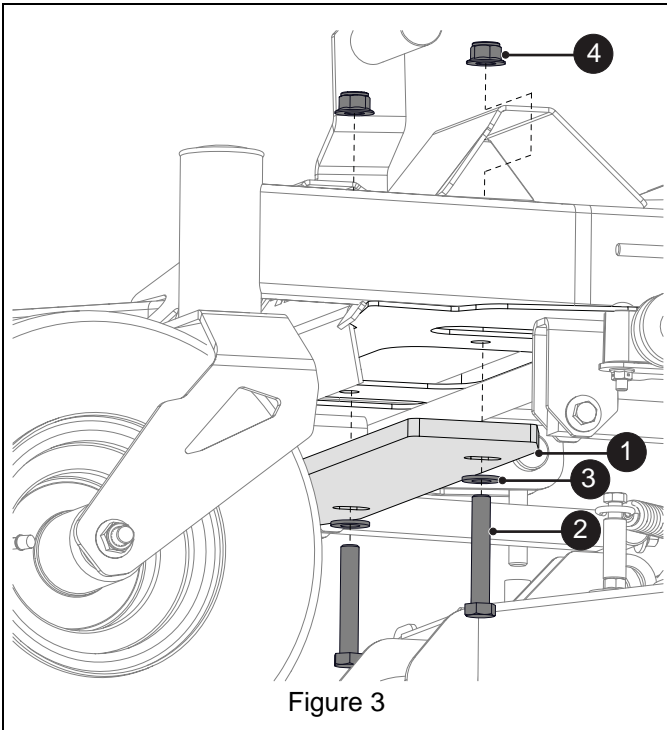


Figure 3

## REMOVE DISCHARGE CHUTE

1. Remove 3/8" x 2" hex bolt and nylon locking flange nut retaining discharge chute bracket and remove discharge chute assembly. Retain all parts for operation without bagger. See Figure 7.

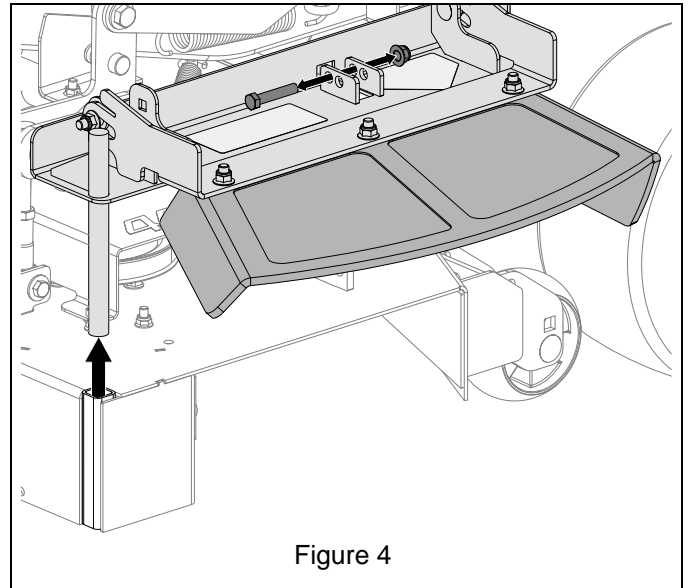


Figure 4

## INSTALL Baffle

1. Insert baffle (item 5) into front of blower assembly. Use a punch to help align holes. See Figure 5.

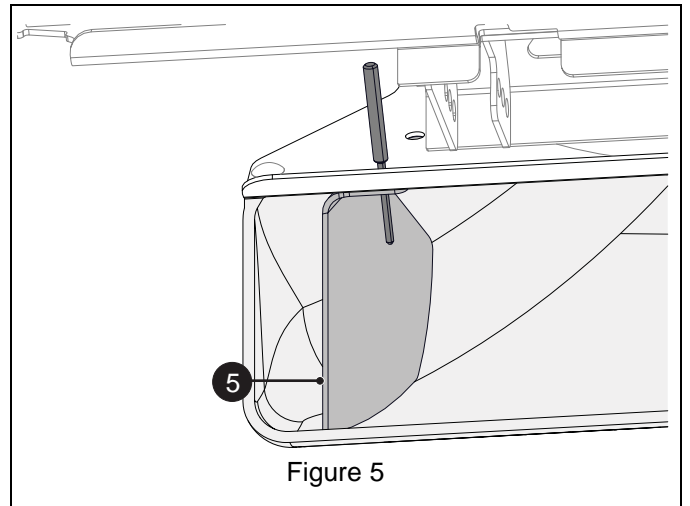
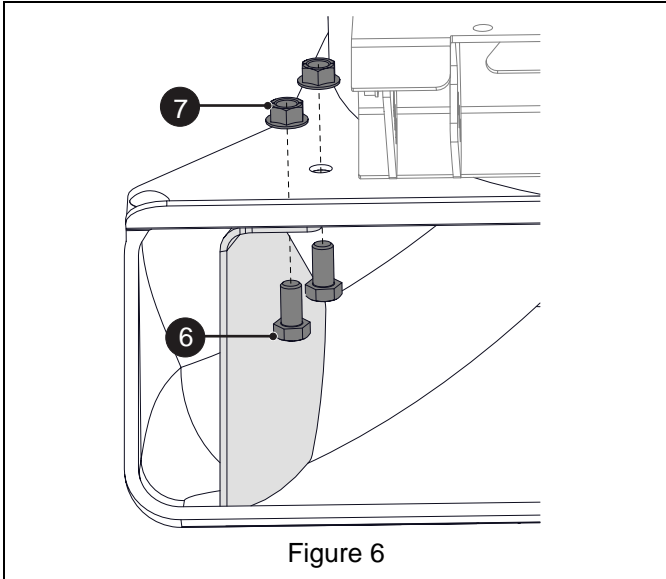


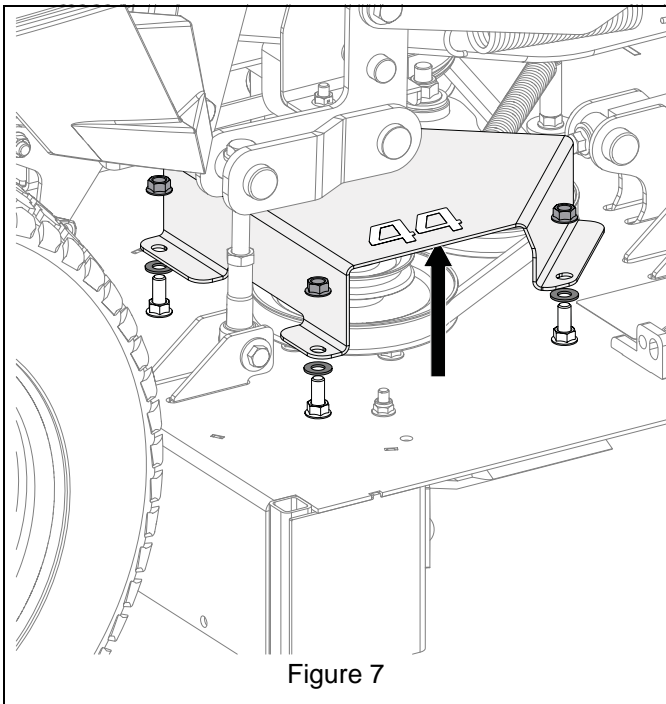
Figure 5

- Secure baffle with two 3/8" x 3/4" hex bolts (item 6) and two 3/8" nylon top locking flange nuts (item 7). See Figure 6.



## REMOVE SPINDLE PULLEY

- Remove discharge chute.
- Remove three 3/8" locking nuts from right belt cover and remove cover and three flat washers. Retain all parts for operation without bagger. See Figure 7.

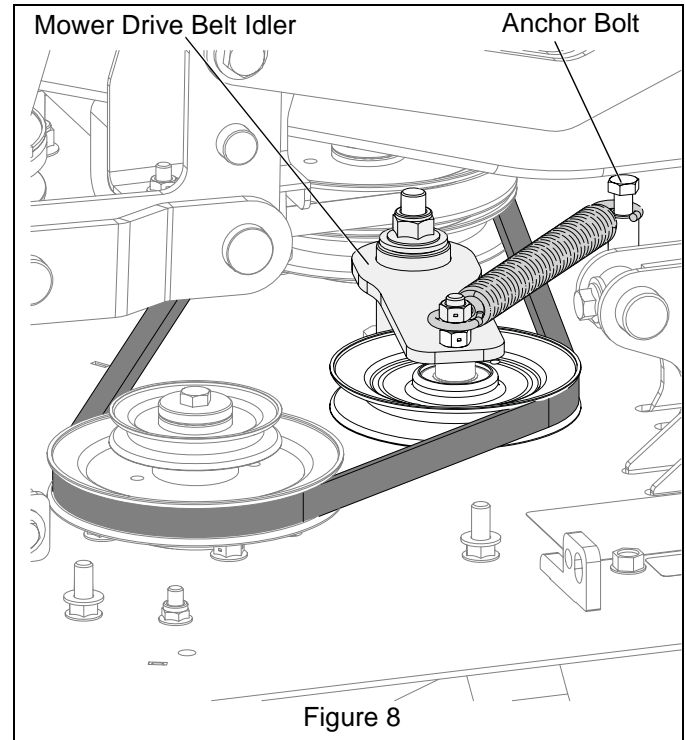


**CAUTION:** Use care when releasing idler spring tension. Keep body parts away from idlers when performing this operation.

- Slowly remove spring hook from anchor bolt to release tension from mower drive belt idler.
- Disconnect mower drive belt from spindle pulley. See Figure 8.

**NOTICE:** Double spindle pulley shown. Some units have a single spindle pulley.

**IMPORTANT:** Even if the deck has a double pulley installed it still must be replaced. The replacement pulley has a different upper-pulley diameter.



- Remove 3/8" hex bolt and sheave retainer from top of spindle. Remove pulley. Dispose of pulley and hex bolt. Retain sheave retainer. See Figure 9.

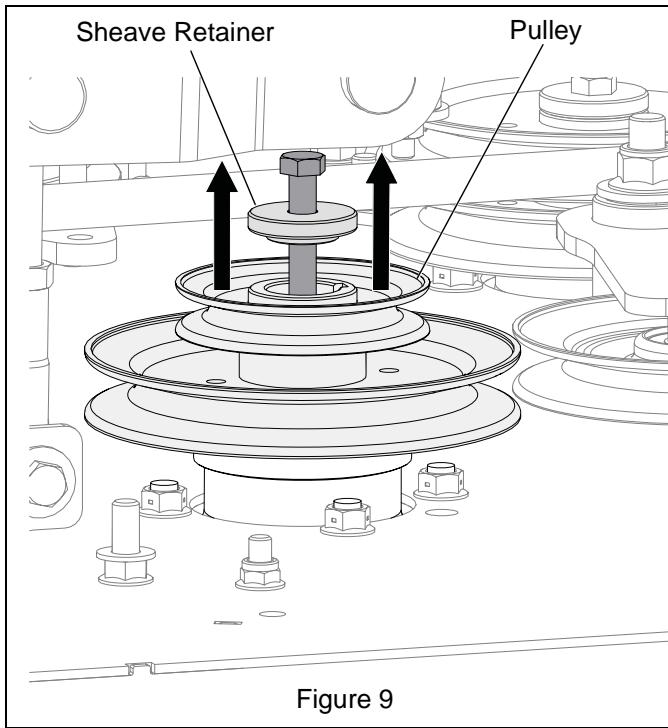


Figure 9

## DRILL SUPPORT BRACKET HOLE

(If Necessary)

**NOTICE:** Some decks do not have an existing hole for mounting the belt cover support bracket to the deck. Use the template that shipped with the bagger kit to determine if a hole needs to be drilled.

1. Locate template (p/n 05148351) in the main bagger kit.
2. Position the template against the right spindle outer and front mounting nuts. See Figure 10.
3. Determine the hole location for the deck on the template.
  - 44" Decks use hole #4.
  - 48" Decks use hole #3.

If there is self-tapping screw in a square hole that aligns with the corresponding template hole, no drilling is necessary. Remove the self-tapping screw and proceed to *Draw Alignment line*.

If there is no corresponding self-tapping screw in a square hole, a hole must be drilled.

4. Mark and center-punch the location indicated by the template.
5. Drill a 9/32" hole at the marked location.

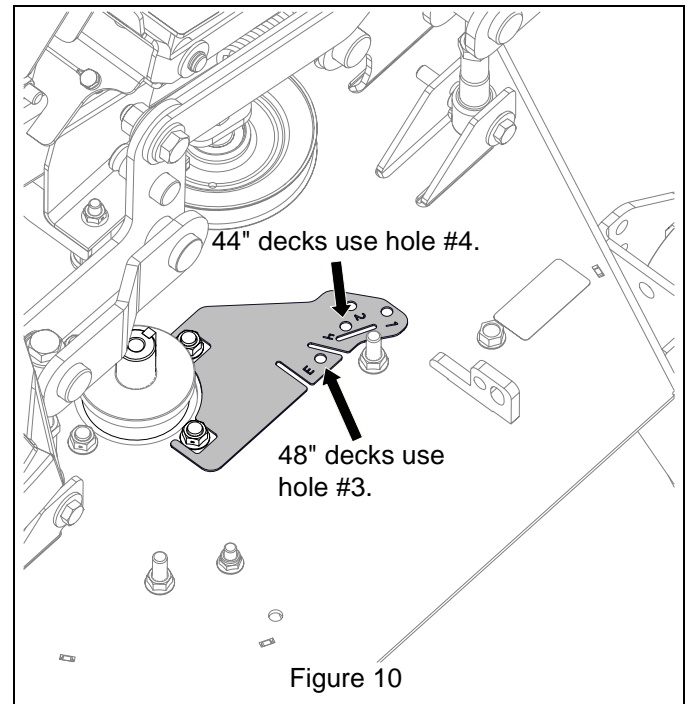
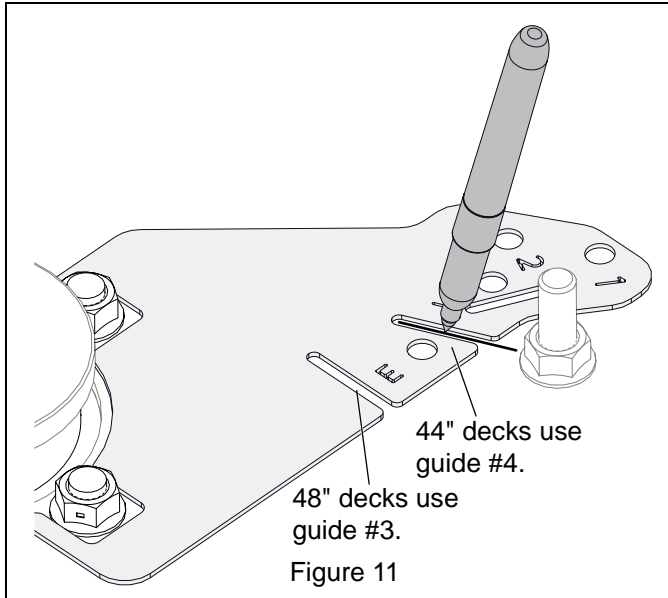


Figure 10

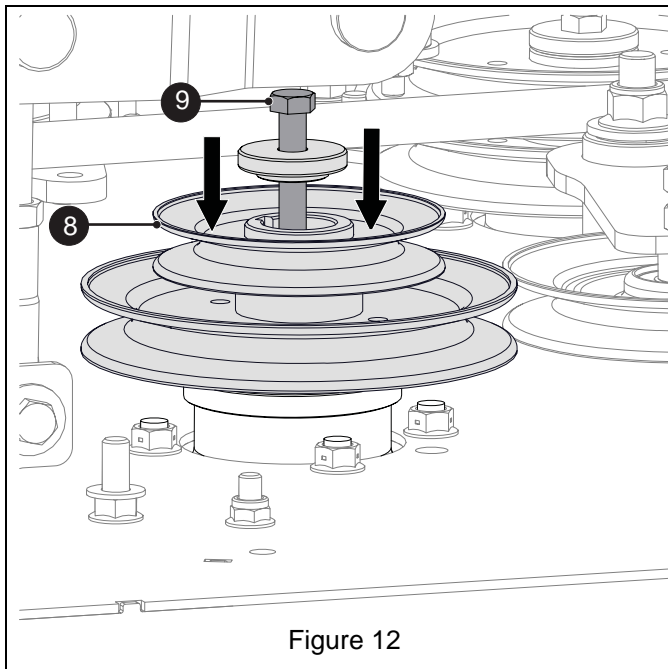
## DRAW ALIGNMENT LINE

1. Determine the guide slot for the deck on the template.
  - 44" Decks use guide #4.
  - 48" Decks use guide #3.
2. Use a permanent marker to draw a line on the deck for aligning the support bracket.
3. Remove the template.



## INSTALL DOUBLE PULLEY

1. Install double pulley (item 8) on spindle. Retain pulley with 3/8" x 2 3/4" bolt (item 9) and torque to 54 N•m – 66 N•m (40 lb-ft – 49 lb-ft). See Figure 12.

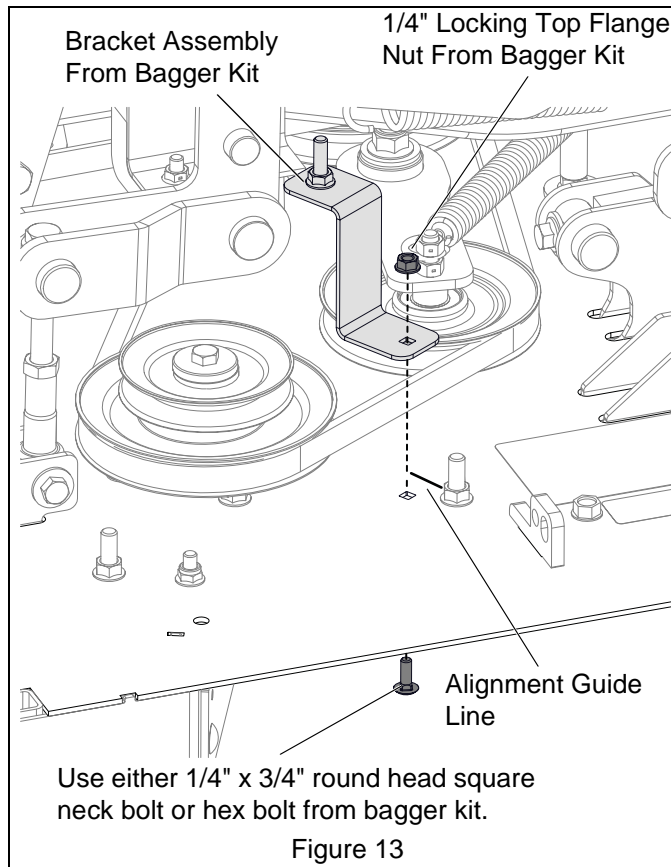


2. Reinstall mower drive belt.

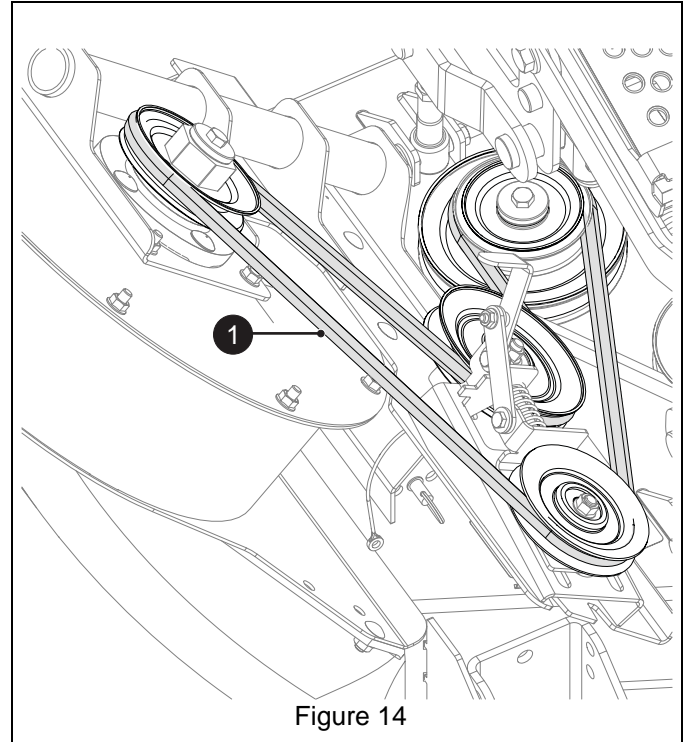
## INSTALL BELT-COVER SUPPORT BRACKET

See Figure 10.

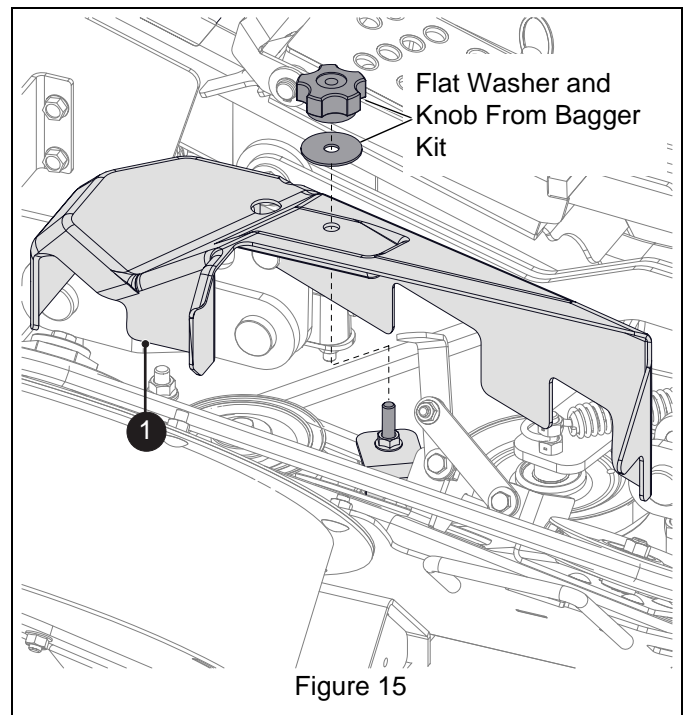
1. Locate the belt cover support bracket assembly in the main bagger kit parts.
2. Using the guideline drawn earlier as a guide for proper orientation, mount the bracket to the deck using a 1/4" locking top flange nut and either a 1/4" x 3/4" hex bolt or 1/4" x 3/4" round head square neck bolt from the bagger kit:
  - Use the 1/4" round head square neck bolt if a square hole is present in the deck.
  - Use the 1/4" hex bolt if a hole was drilled.
3. Ensure that the bracket is positioned in the correct orientation and tighten the hardware.



4. Install blower assembly on deck and install hex belt (item 10) on blower. Refer to bagger Operator's Manual for instructions. See Figure 14.



5. Install belt cover (item 11) on bracket and secure with one 1 1/2" washer and one knob from bagger kit. See Figure 15.



6. Refer to bagger Operator's Manual for remaining installation and operation instructions.
7. Reconnect spark plug wires.