



Luxford™ Toilet C41909▲

STANDARD SPECIFICATIONS:

- Vitreous China
- 27 7/8" (708 mm) in length, 18 1/4" (460 mm) in width, 30 13/16" (782 mm) in height
- Round front bowl with chair height design (16 1/2" to top of the bowl)
- 12" (305 mm) rough-in
- High efficiency 1.28 gpf (4.8 lpf)
- 3" flush valve
- 2" (51mm) fully glazed trapway
- SmartFit™ tank-to-bowl connection with tool for installation
- Includes upgraded stainless steel tank lever
- Delta toilet kit includes the tank, bowl, toilet seat, mounting hardware, wax ring and SmartFit™ Multi-Tool. No additional tool required.

WARRANTY

- Chinaware parts warranted to original consumer purchaser.
- 1 year warranty on mechanical components, fill valve, flush valve, flush lever handle, and mounting bolts will apply.
- The toilet seat & lid will have a 1 year warranty.



COMPLIES WITH

- ADA
- ASME A1 12.19.2 / CSA B45.1
- ASME A1 12.19.5
- ICC / ANSI A1 17.1
- EPA WaterSense® High Efficiency Toilet
- CalGreen



Technical Information	
Fixture configuration	Two-piece, round front
Water per flush	1.28 gpf (4.8 lpf)
Passageway	2" (51mm)
Water area	10 1/2 " X 8" (266 mm x 203 mm)
Seat post hole centers	5 1/2" (140mm)
Included Components:	
Tank	RP79518▲
Tank Cover	RP78252▲
Flush Lever	RP84890▲
Mounting Hardware – Bowl to floor	RP71146
Mounting Hardware – Tank to bowl	RP72471
Seat Assembly	801903▲

▲ Designate proper finish suffix (-WH for white)

Installation Notes

- Install this product according to the installation guide.
- This model complies with the American Disabilities Act (ADA) when installed per the requirements of the Accessibility Guidelines, Section 604 Water Closets, of the Act, which includes the installation of an open front seat (not included).
- This model complies with CSA B651 when installed per Clause 4.3.6 of the standard.



55 E. 111th Street, Indianapolis, Indiana 46280
 350 South Edgeware Road, St. Thomas, Ontario Canada N5P 4L1
 © 2016 Masco Corporation of Indiana
 USA / Canada: 1-855-345-1345
 www.deltatoilet.com



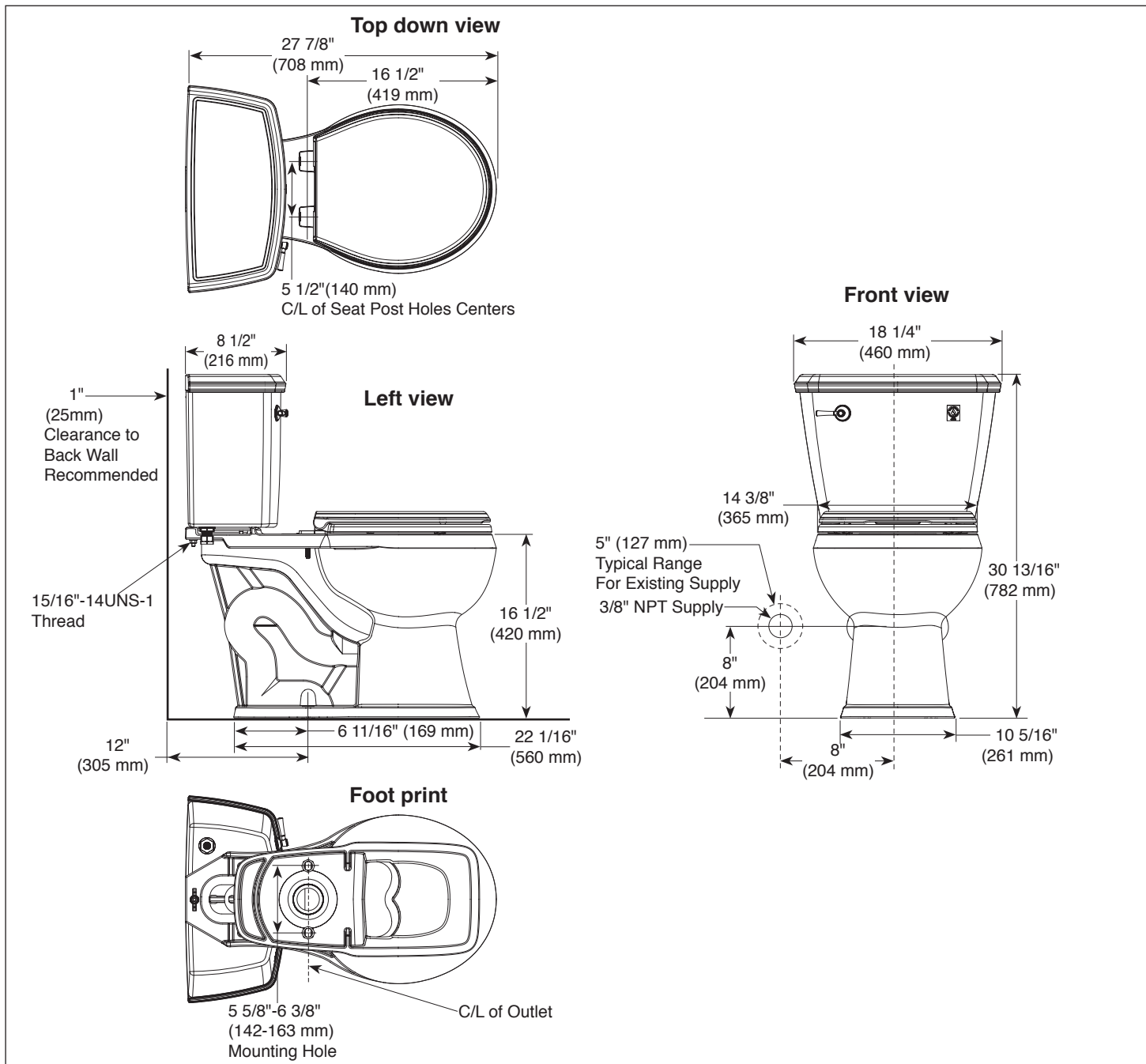
Luxford™ Toilet C41909▲

■ Round Front Bowl



Submitted Model No.: _____

Specific Features: _____



▲ Designate proper finish suffix (-WH for white)

Delta reserves the right (1) to make changes in specifications and materials, and (2) to change or discontinue models, both without notice or obligation. Dimensions are for reference only. See full-line pricebook or www.deltatoilet.com for finish options and product availability.