

Ashville™ Technical Specification

18" & 24" Towel Bars

DN7918 & DN7924

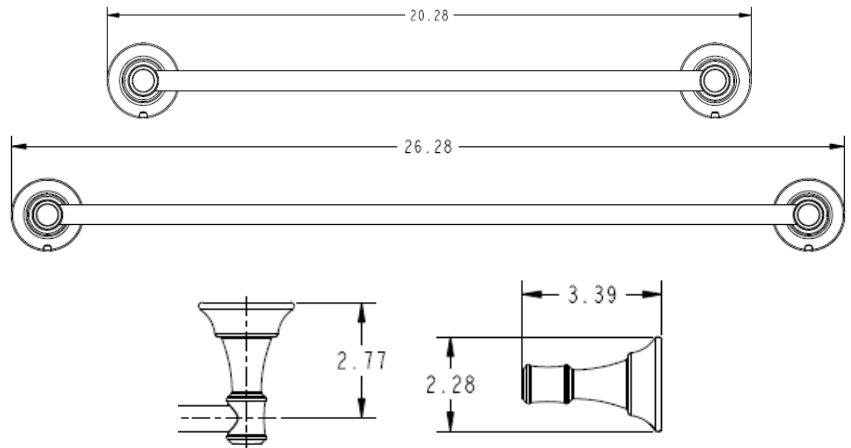
Stock Numbers:

- ❑ **DN7918BN – 18" Towel Bar**
Brushed Nickel Finish
- ❑ **DN7924BN – 24" Towel Bar**
Brushed Nickel Finish
- ❑ **DN7918BRB – 18" Towel Bar**
Mediterranean Bronze Finish
- ❑ **DN7924BRB – 24" Towel Bar**
Mediterranean Bronze Finish
- ❑ **DN7918CH – 18" Towel Bar**
Chrome Finish
- ❑ **DN7924CH – 24" Towel Bar**
Chrome Finish

Materials:

Towel Bar post is die cast from highest quality zinc alloy (Zamac). Casting is plated Chrome, Brushed Nickel or Mediterranean Bronze. **Towel bar** is aluminum for Brushed Nickel and Chrome finishes and stainless steel for Mediterranean Bronze.

Dimensions:



Installation Instructions:

1. Position the mounting template on the wall in the desired location.
2. Using a level, align the template and tape it to the wall.
3. Drill two 5/16" holes at each mounting post location that corresponds to your product.
4. Remove the template from the wall.
5. Fold ends of the plastic toggle together and insert into each hole in the wall.
6. Lightly tap anchors until flush with the wall.
7. One at a time, insert plastic pin into each of the anchors and lightly tap to activate anchor. Remove pin and repeat on all anchors.
8. Remove mounting posts from the product assemblies by loosening each setscrew.
9. Place the mounting plate on the wall over the installed wall anchors with "UP" facing you.
10. Insert screws through the mounting plate into the anchors. Tighten the screws.
11. Assemble the towel bar and posts.
12. While assembled, position each end post with setscrews facing down and place over both mounting posts. Tighten the setscrews.

Cleaning Instructions:

To preserve the fine finish of this product, clean only with a soft damp cloth. Dry well. Do not use commercial or abrasive cleaners.

Stock Number: _____ **Towel Bars**
By Creative Specialties



25300 AL MOEN DRIVE • NORTH OLMSTED, OH 44070
CORPORATE HEADQUARTERS: (800) 321-8809 • FAX: (800) 848-6636
INTERNATIONAL: (440) 962-2000 • FAX: (440) 962-2726
CUSTOMER SERVICE (USA): 800-882-0116 • FAX: (888) 379-2720
WWW.MOEN.COM

©Copyright Creative Specialties International

Literature # BA1587

Ashville™ Technical Specification

Pivoting Paper Holder

DN7908

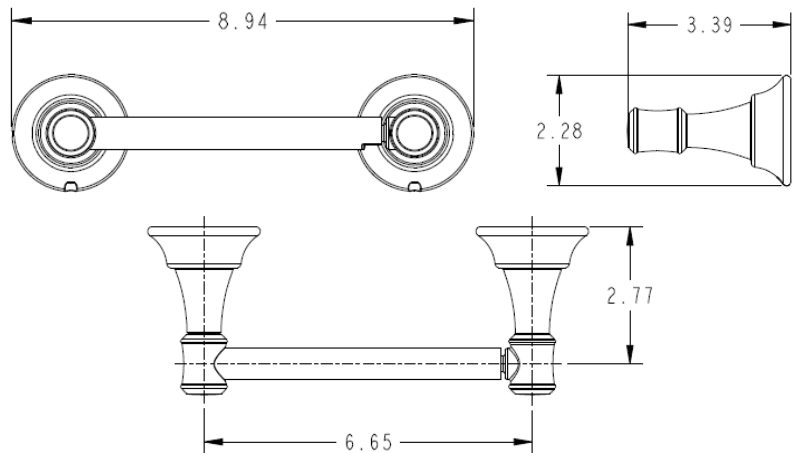
Stock Numbers:

- ❑ **DN7908BN – Pivoting Paper Holder**
Brushed Nickel Finish
- ❑ **DN7908BRB – Pivoting Paper Holder**
Mediterranean Bronze Finish
- ❑ **DN7908CH – Pivoting Paper Holder**
Chrome Finish

Materials:

Pivoting Paper Holder post is die cast from highest quality zinc alloy (Zamac). Casting is plated Chrome, Brushed Nickel or Mediterranean Bronze. The **Pivoting Paper Holder arm** is stainless steel.

Dimensions:



Installation Instructions:

1. Position the mounting template on the wall in the desired location.
2. Using a level, align the template and tape it to the wall.
3. Drill two 5/16" holes at each mounting post location that corresponds to your product.
4. Remove the template from the wall.
5. Fold ends of the plastic toggle together and insert into each hole in the wall.
6. Lightly tap anchors until flush with the wall.
7. One at a time, insert plastic pin into each of the anchors and lightly tap to activate anchor. Remove pin and repeat on all anchors.
8. Remove mounting posts from the product assemblies by loosening each setscrew.
9. Place the mounting plate on the wall over the installed wall anchors with "UP" facing you.
10. Insert screws through the mounting plate into the anchors. Tighten the screws.
11. Place each assembly over the mounting posts with setscrews facing down. Pivoting post with bar should be on the left side. Tighten both setscrews.

Cleaning Instructions:

To preserve the fine finish of this product, clean only with a soft damp cloth. Dry well. Do not use commercial or abrasive cleaners.

Stock Number: _____ **Pivoting Paper Holder By Creative Specialties**



25300 AL MOEN DRIVE • NORTH OLMSTED, OH 44070
CORPORATE HEADQUARTERS: (800) 321-8809 • FAX: (800) 848-6636
INTERNATIONAL: (440) 962-2000 • FAX: (440) 962-2726
CUSTOMER SERVICE (USA): 800-882-0116 • FAX: (888) 379-2720
WWW.MOEN.COM

©Copyright Creative Specialties International

Literature # BA1586

Ashville™ Technical Specification

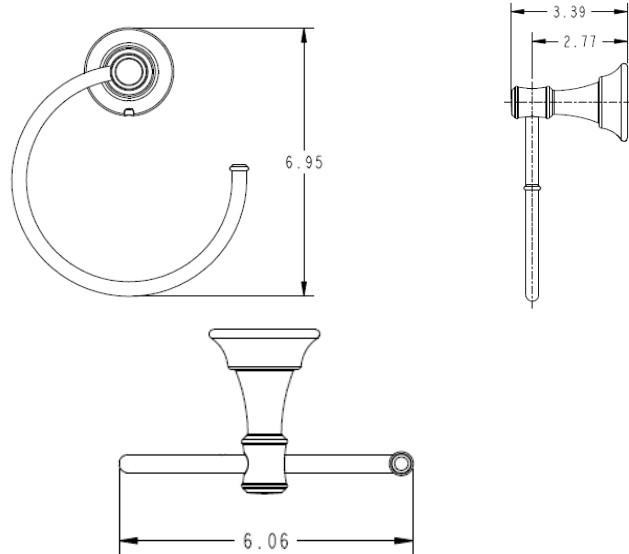
Towel Ring

DN7986

Stock Numbers:

- ❑ **DN7986BN – Towel Ring**
Brushed Nickel Finish
- ❑ **DN7986BRB – Towel Ring**
Mediterranean Bronze Finish
- ❑ **DN7986CH – Towel Ring**
Chrome Finish

Dimensions:



Materials:

Towel Ring post is die cast from highest quality zinc alloy (Zamac). Casting is plated in Chrome, Brushed Nickel or Mediterranean Bronze. **Towel ring** is aluminum for Brushed Nickel and Chrome finishes and stainless steel for Mediterranean Bronze.

Installation Instructions:

1. Remove mounting posts from the product assemblies by loosening each setscrew.
2. Position the mounting plate on the wall at desired location with "UP" facing you. Mark hole locations.
3. Drill 2 holes as marked using 5/16" drill bit.
4. Fold ends of the plastic toggle anchor together and insert into each hole in the wall.
5. Lightly tap anchors until flush with the wall.
6. One at a time, insert plastic pin into each anchor and lightly tap to activate anchor. Remove pin and repeat on other anchor.
7. Place the mounting plate on the wall over the installed wall anchors with "UP" facing you.
8. Tighten screws.
9. Place decorative product over the mounting plate with the setscrew facing down. Tighten setscrew.

Cleaning Instructions:

To preserve the fine finish of this product, clean only with a soft damp cloth. Dry well. Do not use commercial or abrasive cleaners.

Stock Number: _____ **Towel Ring**
By Creative Specialties



25300 AL MOEN DRIVE • NORTH OLMSTED, OH 44070
CORPORATE HEADQUARTERS: (800) 321-8809 • FAX: (800) 848-6636
INTERNATIONAL: (440) 962-2000 • FAX: (440) 962-2726
CUSTOMER SERVICE (USA): 800-882-0116 • FAX: (888) 379-2720
WWW.MOEN.COM

©Copyright Creative Specialties International

Literature # BA1588