



CADET® 3 HET RIGHT HEIGHT® ELONGATED 10" ROUGH COMPLETE TOILET

VITREOUS CHINA

BARRIER FREE

CADET® 3 HET RIGHT HEIGHT® ELONGATED 10" ROUGH COMPLETE TOILET

- 3378AB.128ST**
 - Vitreous china
 - PowerWash® rim scrubs bowl with pressurized water every flush
 - EverClean® Surface Stays Cleaner Longer: Permanent EverClean antimicrobial surface inhibits the growth of stain and odor causing bacteria, mold and mildew on surface. The EverClean super smooth surface keeps fixtures cleaner longer.
 - Meets definition for HET (High Efficiency Toilet)
 - High Efficiency (1.28 gpf/4.8 Lpf)
 - Meets EPA WaterSense® criteria
 - Features the Premium Cadet® 3 Flushing System, the longest standing history of high performance toilets
 - Elongated siphon action jetted bowl
 - Fully-glazed 2-1/8" trapway
 - 16-1/2" rim height for accessible applications
 - 10" (254mm) Rough-in
 - Generous 9" x 8" water surface area
 - Oversized 3" flush valve with chemical resistant flapper
 - 1,000g MaP Score
 - Chrome finish trip lever
 - Color-matched elongated Slow-Close plastic toilet seat
 - Easy Installation. Everything needed for toilet installation is included and can be hand tightened
 - Includes wax ring gasket with closet bolts
 - 2 color-matched bolt caps
 - Limited Lifetime warranty on Chinaware, 5 year warranty on mechanical parts, 1 year warranty on seat



SEE REVERSE FOR ADDITIONAL
ROUGHING-IN DIMENSIONS

To Be Specified:

- Color: White
- Supply with stop:

Nominal Dimensions:

716 x 439 x 774mm
(28-3/16" x 17-1/4" x 30-1/2")

Compliance Certifications -

Meets or Exceeds the Following Specifications:

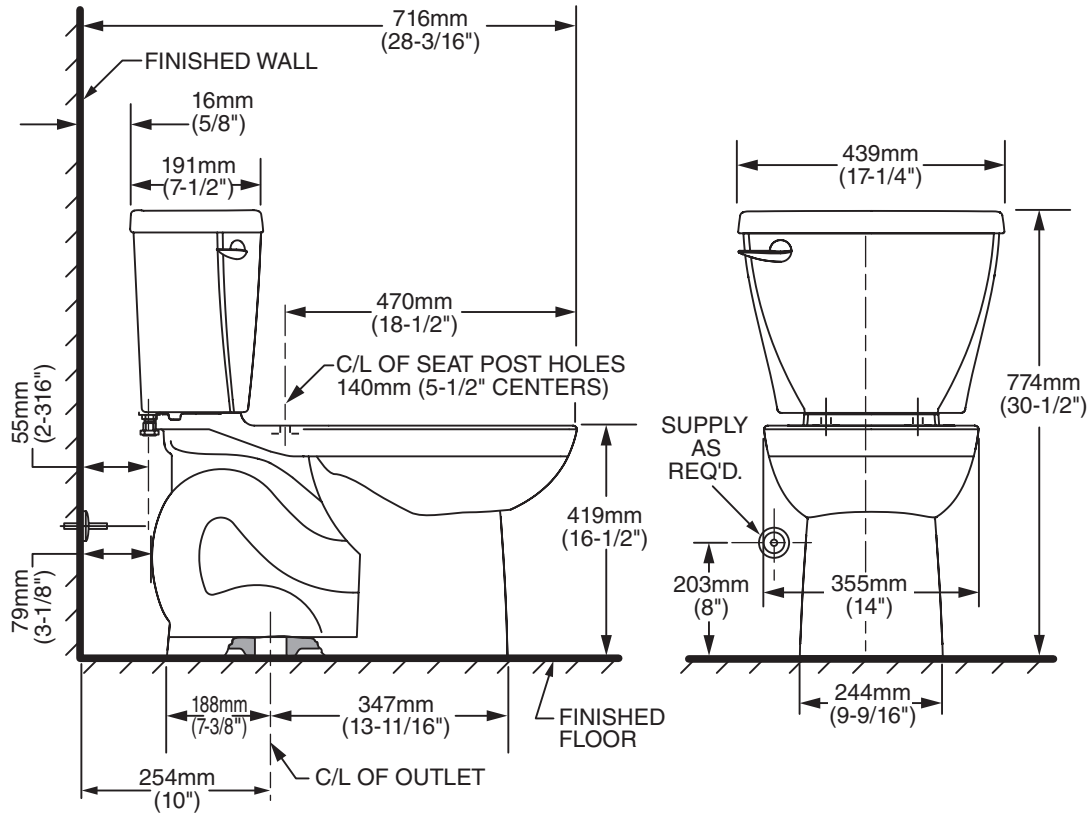
- ASME A112.19.2/CSA B45.1 for Vitreous China Fixtures
- US EPA WaterSense® Specification for HET's

EVERCLEAN®
Surface

CADET® 3
Flushing System



MEETS THE AMERICANS WITH DISABILITIES ACT GUIDELINES
AND ICC ANSI A117.1 REQUIREMENTS FOR ACCESSIBLE AND
USABLE BUILDING FACILITIES-CHECK LOCAL CODES.



NOTES:
 THIS TOILET IS DESIGNED TO ROUGH-IN AT A MINIMUM DIMENSION OF 254MM (10") FROM FINISHED WALL TO C/L OF OUTLET.
 SUPPLY NOT INCLUDED WITH FIXTURE AND MUST BE ORDERED SEPARATELY.
 * DIMENSION SHOWN FOR LOCATION OF SUPPLY IS SUGGESTED.

IMPORTANT: Dimensions of fixtures are nominal and may vary within the range of tolerances established by ANSI Standard A112.19.2. These measurements are subject to change or cancellation. No responsibility is assumed for use of superseded or voided pages.