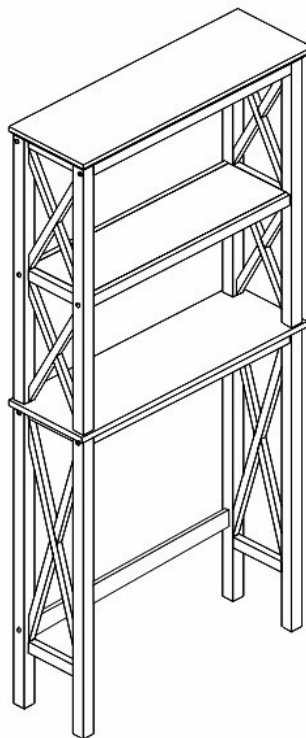




ASSEMBLY INSTRUCTIONS



RiverRidge® X-FRAME BATH SPACESAVER-WHITE

ITEM# 06-003

RiverRidge® X-FRAME BATH SPACESAVER-ESPRESSO

ITEM# 06-004

ADULT ASSEMBLY REQUIRED

This product requires assembly by an adult because of the small parts. Care should be taken in unpacking and assembling this item to keep the small parts away from children.

WARNING

Young children can be seriously injured or killed, if furniture tips over.
Don't use this item for a TV stand.
Use angle-braces or anchors to secure furniture to the wall.

Send requests for missing or damaged parts replacements by email to :

customer.service@ssi-rr.com or call toll free 1-(844)-223-5201 or order parts on line at

www.riverridgehome.com

THIS SHELF UNIT WILL HOLD UP TO 25 POUNDS PER SHELF OR A TOTAL OF 75 POUNDS. DO NOT LOAD EACH SHELF WITH MORE THAN 25 POUNDS. IF LOADED WITH MORE THAN 25 POUNDS PER SHELF AS THIS MAY CAUSE DAMAGE TO THE SHELF AND MAY CAUSE SERIOUS INJURY OR DEATH.




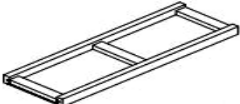

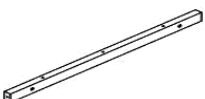
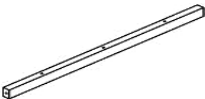
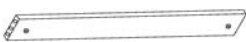










WARNING

SERIOUS OR FATAL INJURIES CAN OCCUR FROM FURNITURE TIP-OVER. TO HELP PREVENT TIP-OVER:

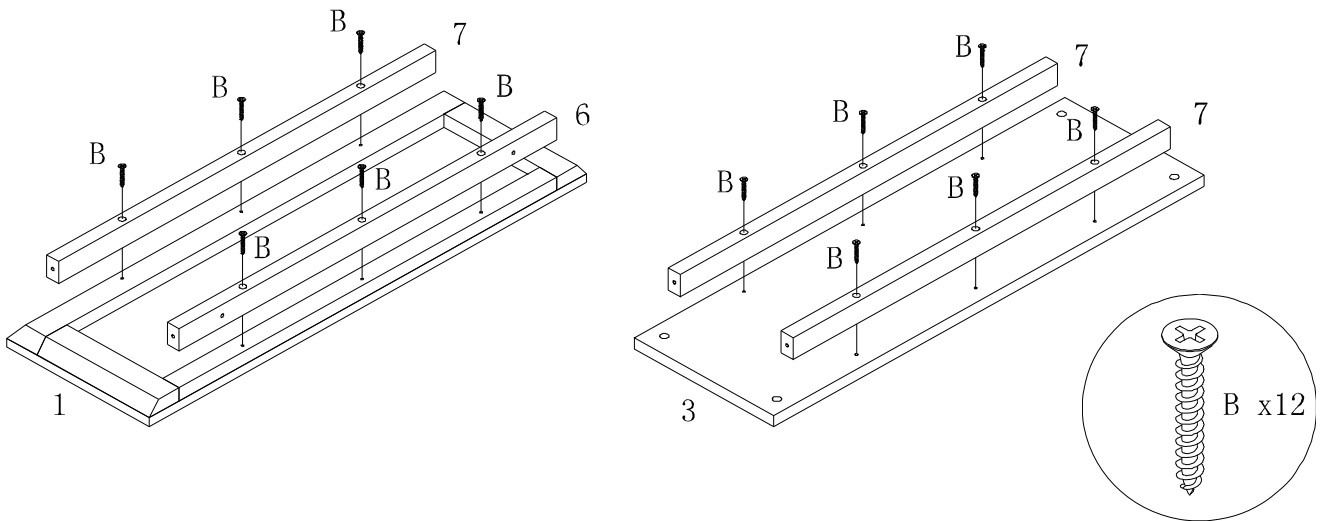
- **Always use tip over restraints and/or wall anchors to secure furniture to the wall**
- **Place heaviest items in the lowest drawers/bins or shelves.**
- **Do not set TV's or other heavy objects on the top of this product.**
- **Never allow children to climb or hang on to the drawers/bins, doors or shelves of furniture**
- **Never open more than one drawer at a time or defeat or remove any drawer interlock system**

PARTS LIST

NO	PARTS	QTY	DESCRIPTION
1		1PC	TOP BOARD
2		2PCS	UPPER SIDE FRAME
3		1PC	BOTTOM BOARD
4		1PC	SHELF
5		1PC	LEFT LOWER SIDE FRAME
6		1PC	REAR TOP BOARD CROSS BAR
7		3PCS	CROSS BAR
8		1PC	REAR LOWER CROSS BAR
9		1PC	RIGHT LOWER SIDE FRAME
A		18PCS	LONG WOOD SCREW 5x45mm
B		12PCS	WOOD SCREW 4x35mm
C		2PCS	PLASTIC ANCHOR
D		2PCS	WOOD SCREW 4x40mm
E		14PCS	PLASTIC CAP
F		1PC	ALLEN WRENCH
G		4PCS	WOOD DOWEL

**TOOLS NEEDED FOR ASSEMBLY: PHILIPS SCREWDRIVER (NOT INCLUDED)
THE USE OF POWER SCREWDRIVER IS NOT RECOMMENDED**

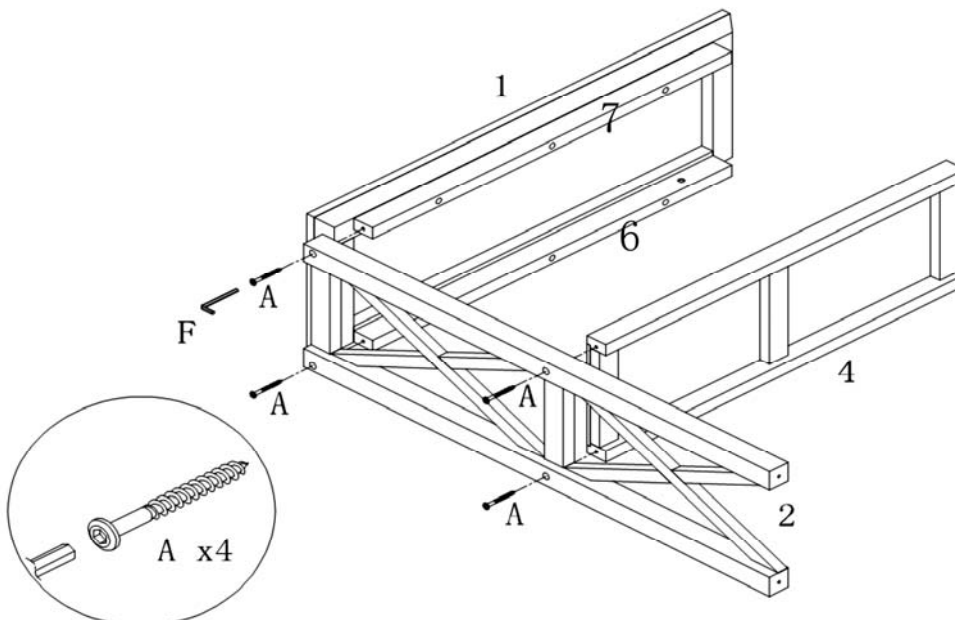
STEP 1



STEP 1

1. Put the top board (1) and bottom board (3) upside down on a soft padded surface.
2. Attach the rear top board cross bar (6) to the top board (1) by inserting 3 wood screws (B) through the holes on the rear top board cross bar (6) and tighten to the top board (1).
3. Repeat the above step to assemble 1 cross bar (7) to the top board (1).
4. Attach 1 cross bar (7) to the bottom board (3) by inserting 3 wood screws (B) through the holes on the cross bar (7) and tighten to the bottom board (3).
5. Repeat the above step to assemble the other cross bar (7) to the bottom board (3).

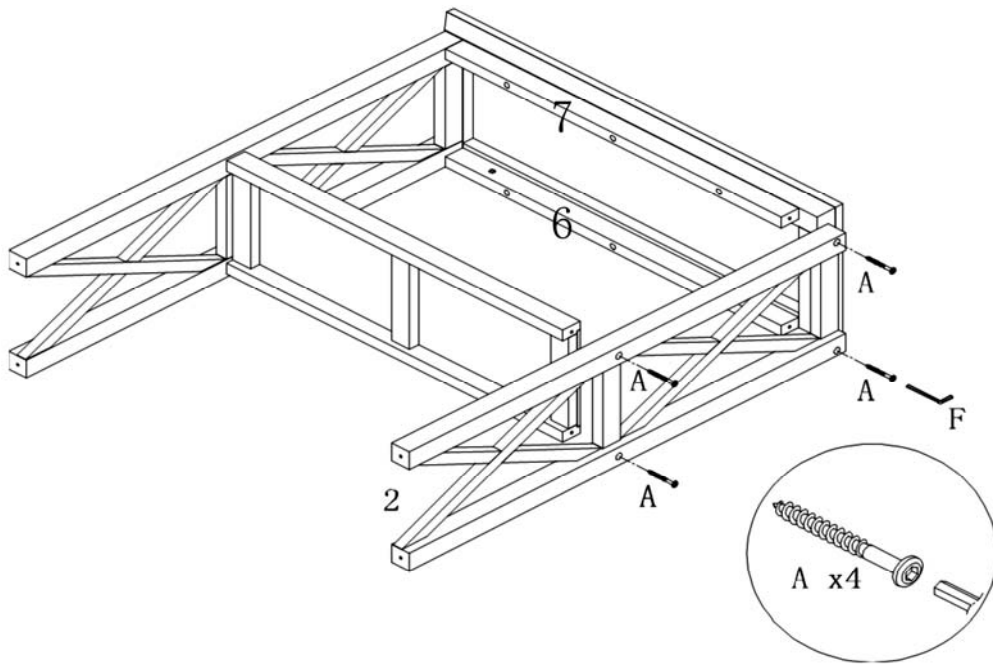
STEP 2



STEP 2

1. Attach 1 upper side frame (2) to the top board (1) by inserting 2 long wood screws (A) through the holes on the upper side frame (2), then tighten to the rear top board cross bar (6) and cross bar (7) by using the Allen wrench (F).
2. Attach the shelf (4) to the upper side frame (2) by inserting 2 long wood screws (A) through the holes on the upper side frame (2) and tighten to the shelf (4) by using the Allen wrench (F).

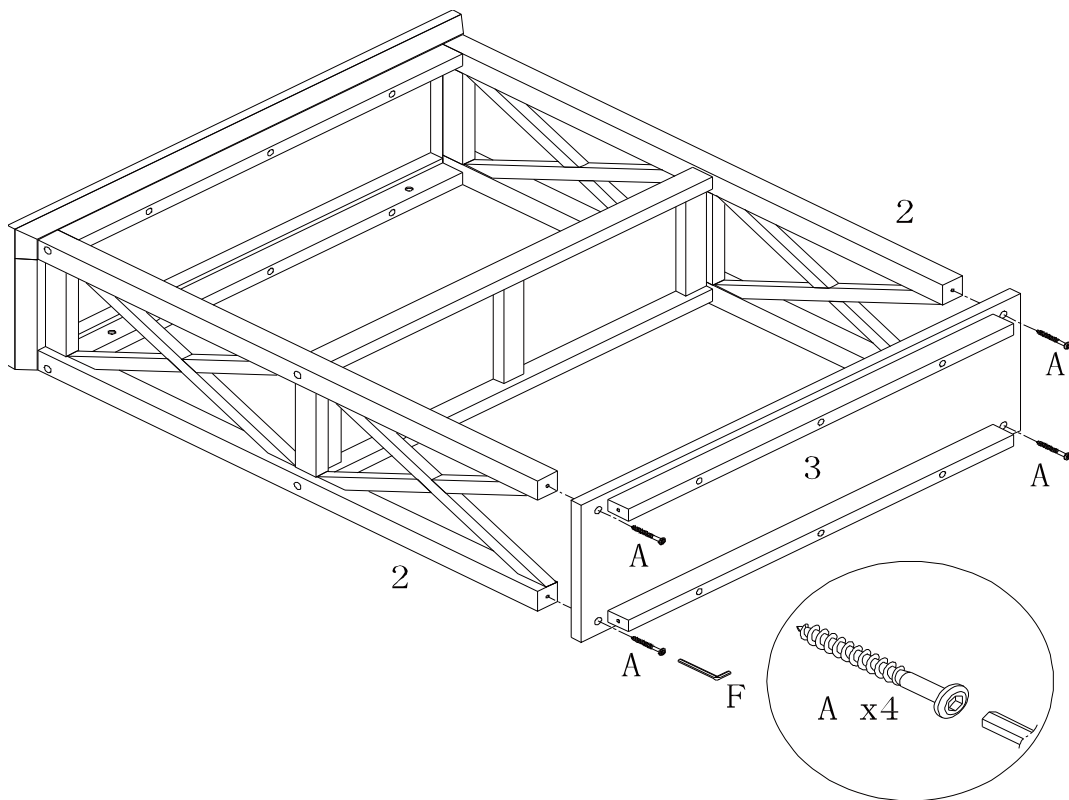
STEP 3



STEP 3

1. Repeat STEP 2 to assemble the other upper side frame (2).

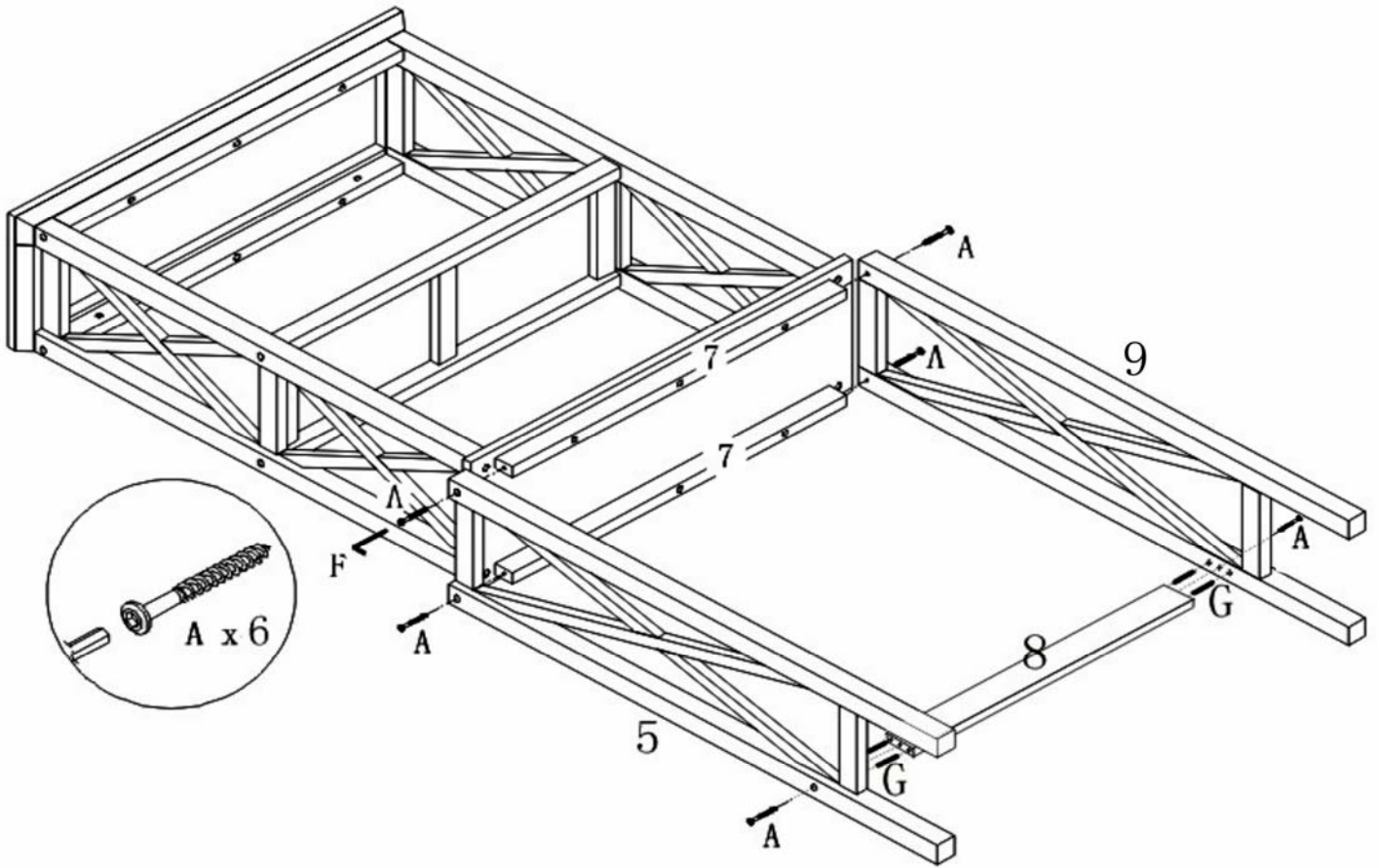
STEP 4



STEP 4

1. Attach the bottom board (3) to bottom side of the 2 upper side frames (2) by inserting 4 long wood screws (A) through the holes on the bottom board (3) then tighten to the 2 upper side frames (2) by using the Allen wrench (F).

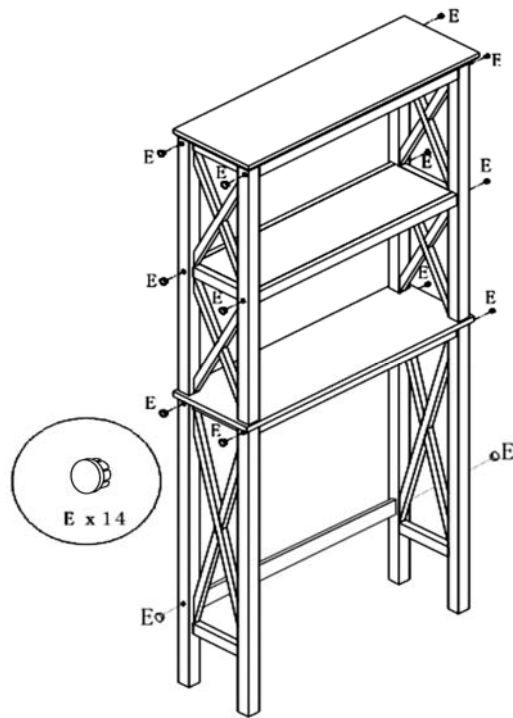
STEP 5



STEP 5

1. Insert 4pc wooden dowel (G) into the holes on the Rear bottom cross bar (8).
2. Attach 1 Left lower side frame (5) to the bottom board (3) and Rear lower cross bar (8) by inserting the wooden dowel (G) into the holes on the Left lower side frame(5) and inserting 3 long wood screws (A) through the holes on the Left lower side frame (5) then tighten to the 2 cross bars (7) on the bottom board (3) and Rear lower cross bar(8) by using the Allen wrench (F).
3. Repeat the above steps to assemble right lower side frame (9) to 2 cross bars (7) on the bottom board (3) and Rear lower cross bar(8).

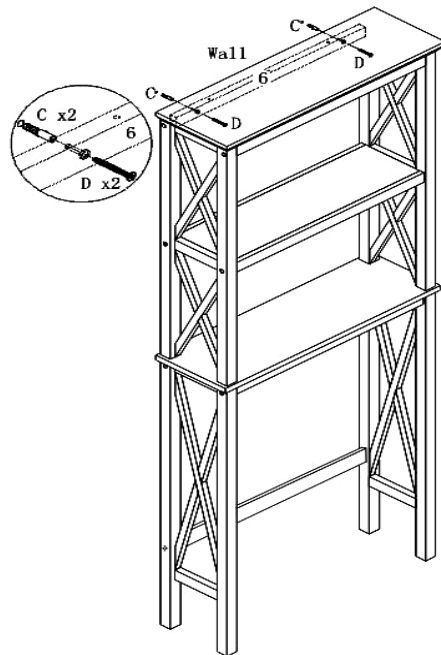
STEP 6



STEP 6

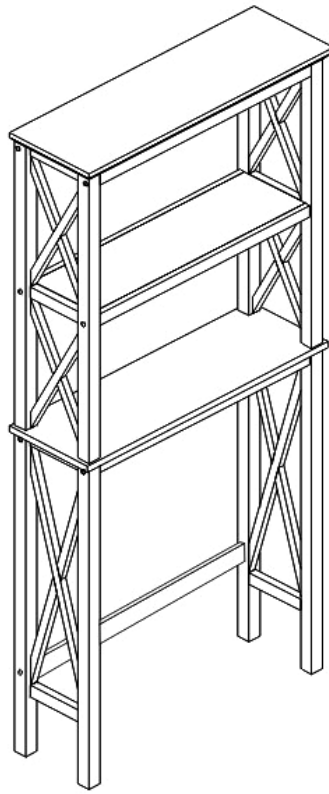
1. Press 14 plastic caps (E) into the wood screw holes on the 2 upper side frames (2) and 2 lower side frames (5).
2. If added pressure is needed to keep the plastic cap in place – cover the cap with a piece of paper and tap lightly with a hammer to secure the cap.

STEP 7



STEP 7

1. Drill 2 holes on the wall by using the template drawing(included) w/hole positions as a guideline.
2. Insert 2 plastic anchors (C) into the 2 holes on the wall.
3. Insert 2 wood screws (D) through the holes on the rear top board cross bar (6), then tighten to (C) with a Philips screwdriver.



ENJOY YOUR NEW RiverRidge® CABINET NOW !

Attention Adults: The cabinet should be checked periodically for damage or loose screws/parts. Take appropriate action necessary to correct the hazard such as tightening of screws and taking any damaged parts away from children.

Thank you for purchasing this RiverRidge® Home Products item. We hope you enjoy it, and consider purchasing other RiverRidge® items.

Send requests for missing or damaged parts replacements by email to :

customer.service@ssi-rr.com or call toll free 1-(844)-223-5201 or order parts on line at

www.riverridgehome.com

RiverRidge® is a registered trademark of Sourcing Solutions, Inc., Hudson, WI 54016.

