

# Getting Started

## Start

### Before you begin:

- Make sure the type of paint you use can be cleaned with either mineral spirits (for oil-based paints) or a warm water and soap solution (for latex paints).
- It is a good idea to have drop cloths protecting your floors and anything else in the room that you do not want accidentally splattered with paint.

**IMPORTANT:** Some oil-based paints require a stronger cleaning solution than mineral spirits and should not be used with the Smart Roller. Using a cleaning solution stronger than mineral spirits may cause damage to the Smart Roller. Check with your paint supplier to be sure the oil-based paint you have can be cleaned with mineral spirits.

### Questions?

Call Wagner Technical Service at:

**1-800-760-3844**

Monday - Friday

8:00 am to 4:30 pm CST

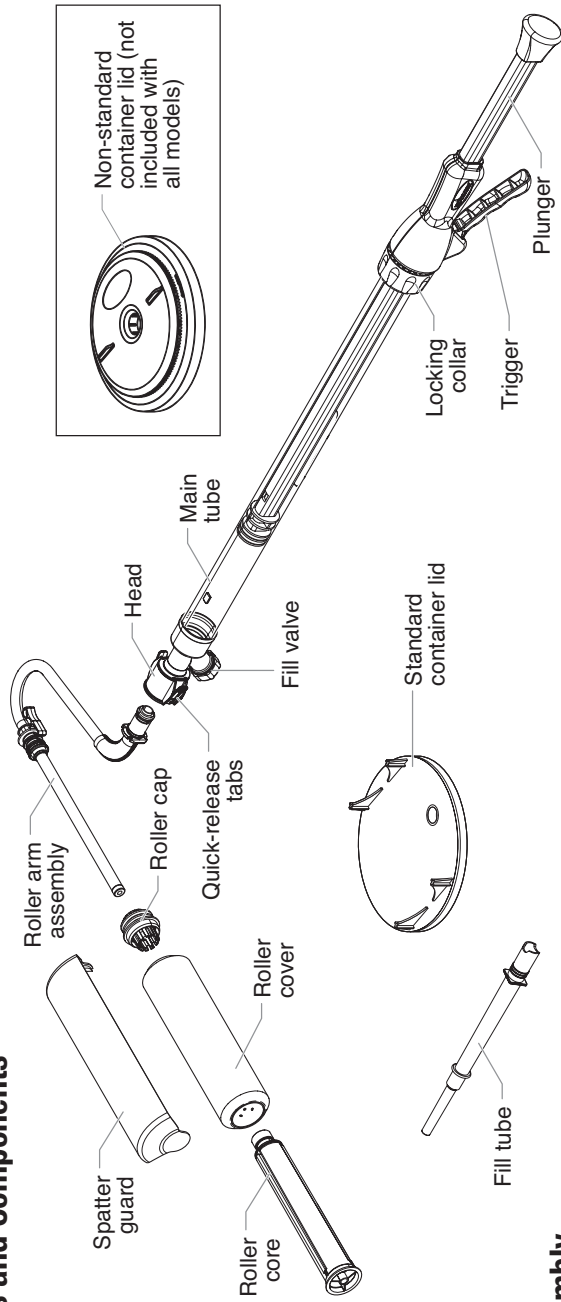
In order to register your product today, visit:

[www.wagnerspraytech.com/registration](http://www.wagnerspraytech.com/registration)

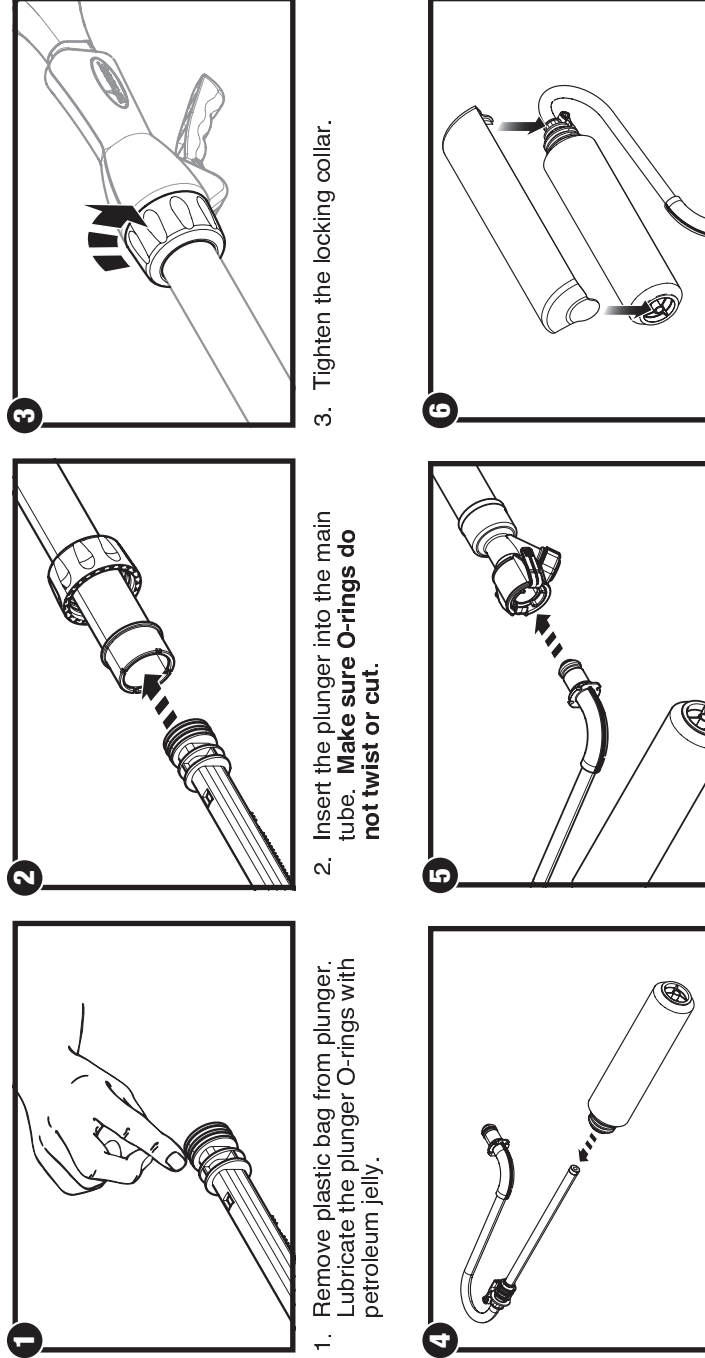
We value your opinion. To complete your review, please visit:

[www.wagnerspraytech.com/reviews](http://www.wagnerspraytech.com/reviews)

## Parts and Components



## Assembly



3. Tighten the locking collar.

2. Insert the plunger into the main tube. **Make sure O-rings do not twist or cut.**

1. Remove plastic bag from plunger. Lubricate the plunger O-rings with petroleum jelly.

6. If painting a ceiling, attach the spatter guard.

5. Press the quick-release tabs on the unit and attach the roller arm.

4. Attach the roller cover assembly to the roller arm.