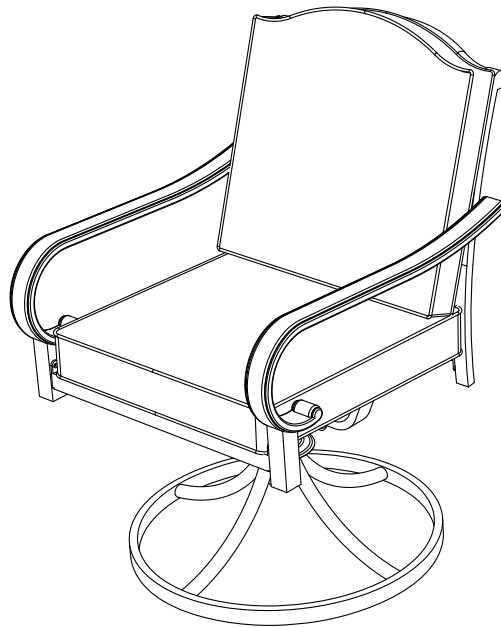




Item # 1002 582 416
Model # 720.140.003

USE AND CARE GUIDE

LAUREL OAKS MOTION DINING CHAIR



Questions, problems, missing parts? Before returning to the store,
call Hampton Bay Customer Service
8 a.m. - 7 p.m., EST, Monday - Friday,
9 a.m. - 6 p.m., EST, Saturday

1-855-HD-HAMPTON

HAMPTONBAY.COM

THANK YOU

We appreciate the trust and confidence you have placed in Hampton Bay through the purchase of this chair. We strive to continually create quality products designed to enhance your home. Visit us online to see our full line of products available for your home improvement needs. Thank you for choosing Hampton Bay!

Table of Contents

Table of Contents	2	Hardware Included	3
Safety Information	2	Chair Package Contents	4
Warranty	2	Assembly	5
What is covered	2	Care and Cleaning	6
What is not covered	2		
Pre-Assembly	3		
Planning Assembly	3		

Safety Information



CAUTION: Read all of the instructions in this manual before you begin assembly. Failure to do so may result in faulty assembly and potential injury!

Warranty

2 YEAR WARRANTY

WHAT IS COVERED

We warrant the product to be free of manufacturing defects to the original purchaser for two years.

WHAT IS NOT COVERED

It remains the customer's responsibility for freight and packaging charges to and from our service center. This warranty does not cover commercial use, hardware, acts of nature, freezing, or abusive use. In addition, purchased parts are not covered under this warranty.

We reserve the right to make substitutions with similar merchandise, if the model in question is no longer in production.

Contact Customer Care at 1-855-HD-HAMPTON or visit www.hamptonbay.com.

Pre-Assembly

PLANNING ASSEMBLY

Please read this entire instruction manual prior to assembly.

Identify all parts packed in the carton against the parts list. Remove all protective materials and place the parts on a non-abrasive surface to avoid scratching.

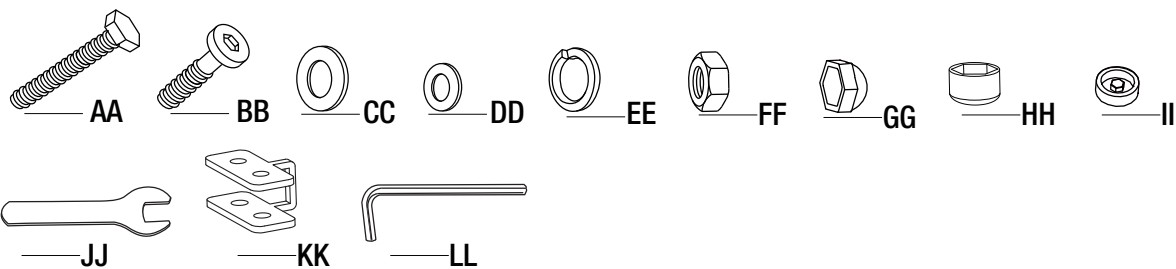


NOTE: More than one person may be required to assemble this product.

HARDWARE INCLUDED



NOTE: Hardware not shown to actual size.



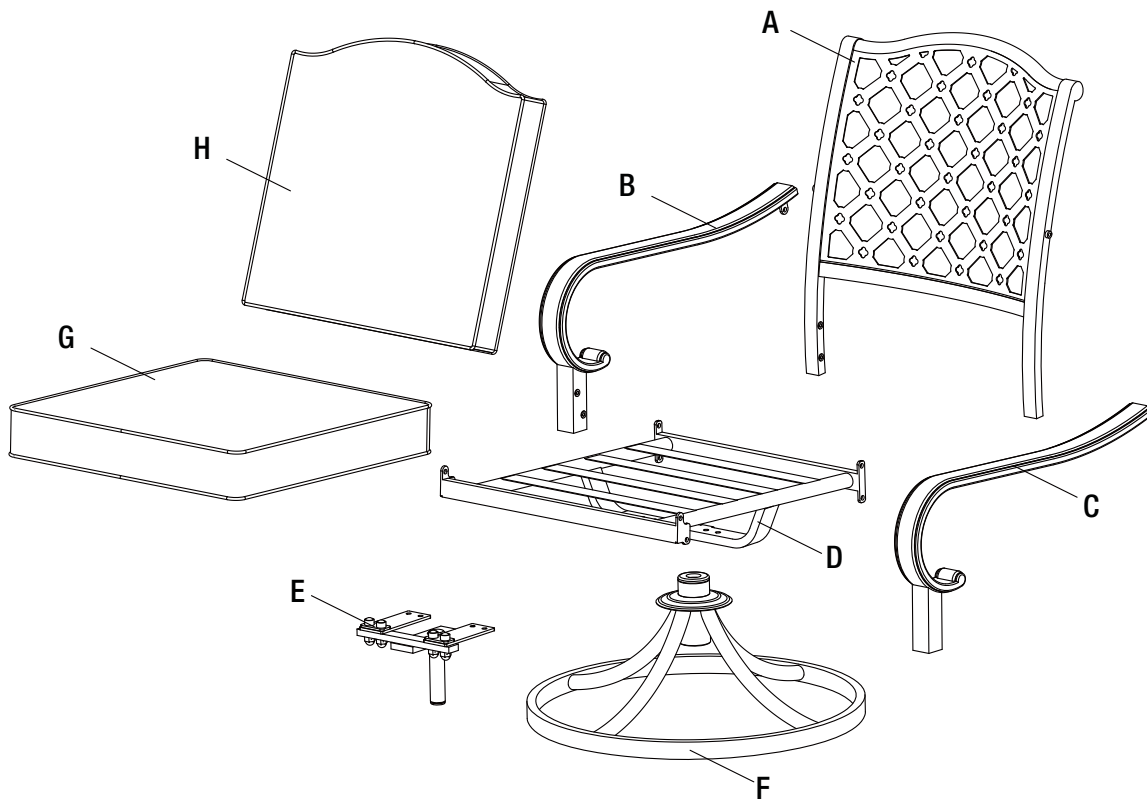
Part	Description	Quantity
AA	M8x40 Bolt	4
BB	M6x20 Bolt	10
CC	Washer for M8 bolt	4
DD	Washer for M6 bolt	10
EE	Spring washer	4
FF	Nut	4
GG	Bolt cap for nut	8
HH	Bolt cap for bolt AA	8
II	Bolt cap for bolt BB	10
JJ	Hex wrench	2
KK	Metal plate	2
LL	Allen driver	1

Pre-Assembly

CHAIR PACKAGE CONTENTS



IMPORTANT: Do not fully tighten bolts/screws until all pieces are loosely assembled.



Part	Description	Quantity
A	Chair back	1
B	Right arm	1
C	Left arm	1
D	Chair seat	1
E	T- rock	1
F	Chair base	1
G	Seat cushion	1
H	Back cushion	1

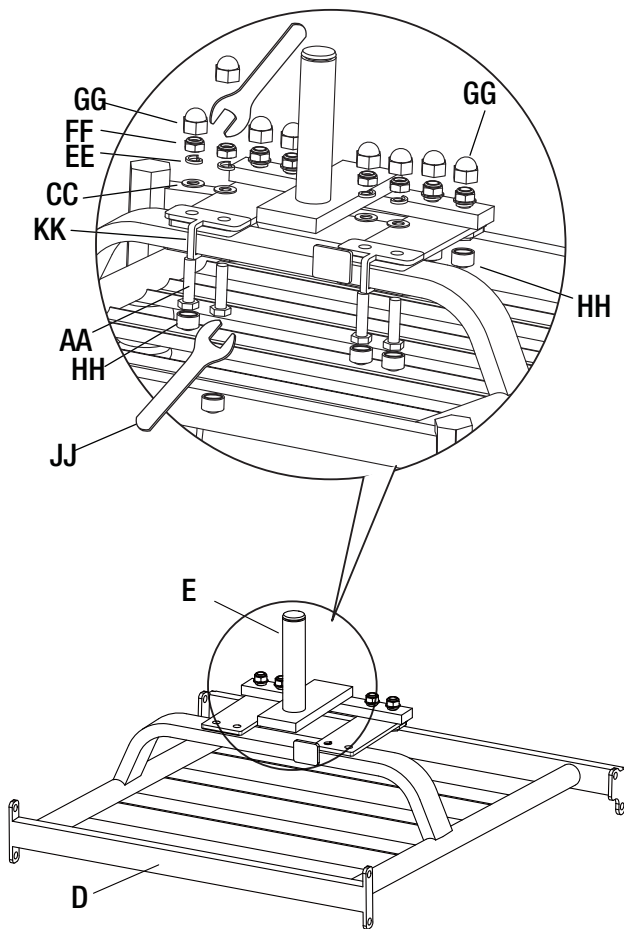
Assembly

1 Attach the T-rock to the seat

- Attach the T-rock (E) to the chair seat (D) using M8 bolts (AA), metal plate (KK), washers (CC and EE), and nuts (FF).

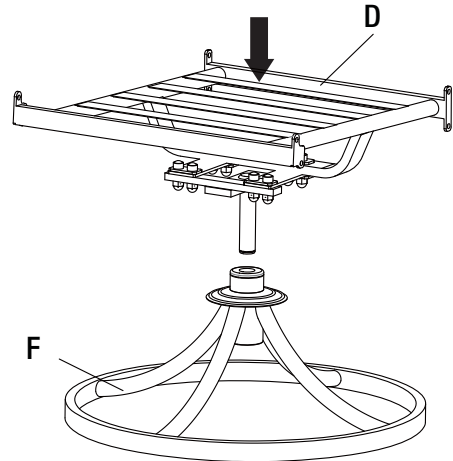


NOTE: Please ensure all the bolts are assembled correctly and use the hex wrench (JJ) to tighten. Do not fully tighten bolts/screws until all pieces are loosely assembled. Add the corresponding plastic caps (GG and HH) after final assembly is finished.



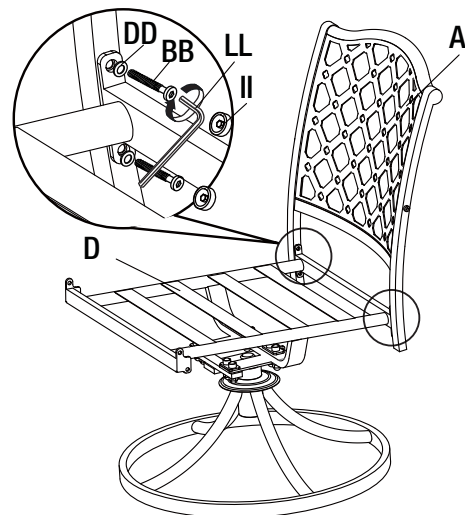
2 Attach the seat to the chair base

- Attach the seat (D) to the chair base (F).



3 Attach the chair back to the chair seat

- Attach the chair back (A) to the chair seat (D) using M6 bolts (BB) and washers (DD).



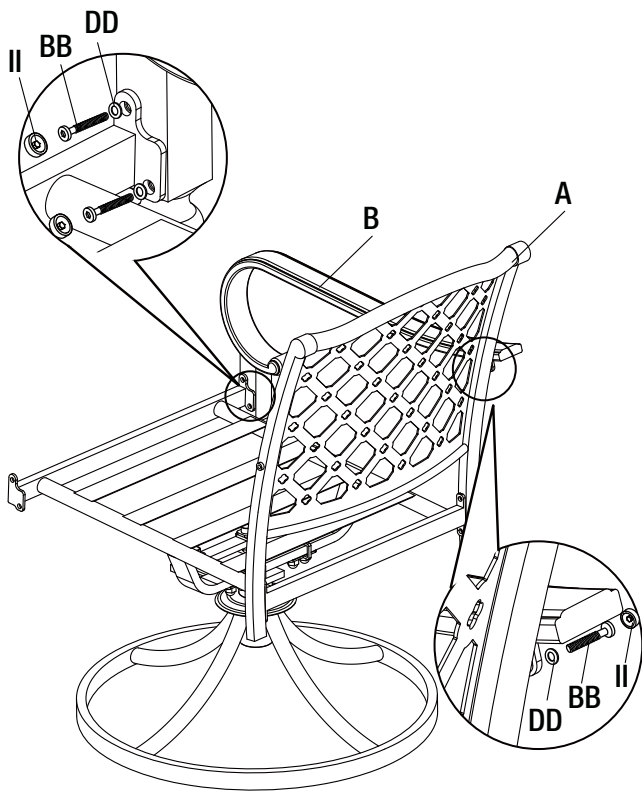
Assembly

4 Attach the right arm to the chair seat and back

- Attach the right arm (B) to the chair seat (D) and chair back (A) using M6 bolts (BB) and washers (DD).

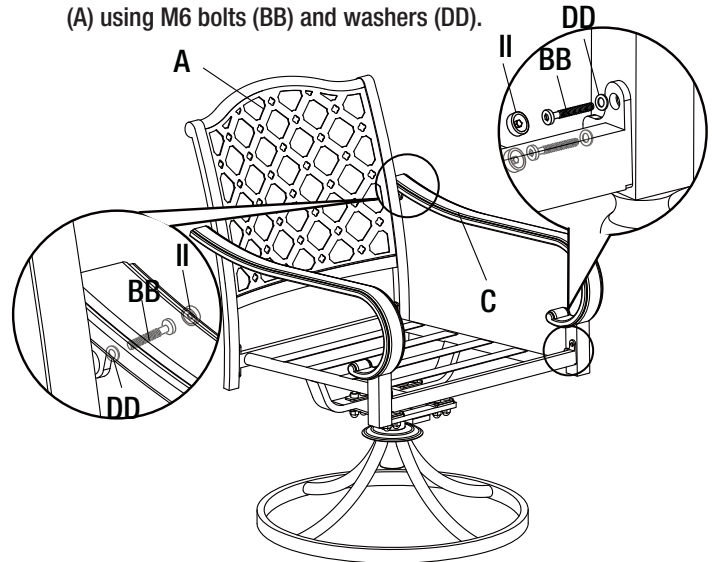


NOTE: Please ensure all the bolts are assembled correctly and use the hex wrench (LL) to tighten. Do not fully tighten bolts/screws until all pieces are loosely assembled. Add the corresponding plastic caps (II) after final assembly is finished.



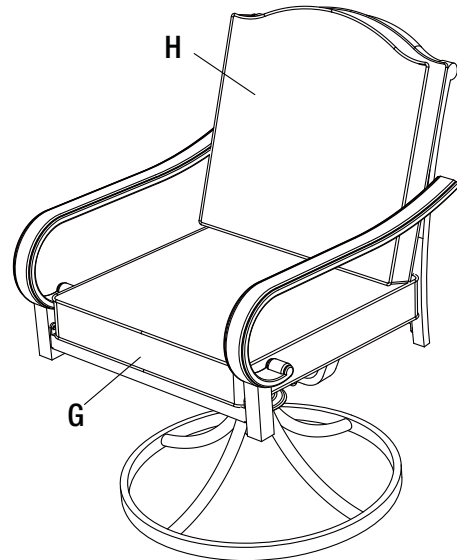
5 Attach the left arm to the chair seat and back

- Attach the left arm (B) to the chair seat (D) and chair back (A) using M6 bolts (BB) and washers (DD).



6 Add cushions

- Add seat cushion (G) and back cushion (H).



Care and Cleaning

- Do not allow water to build up in the frames. This will cause corrosion and possible freezing damage in cold climates.
- Use a mild soap and water for normal cleaning. Do not use janitorial or alcohol based cleaners. Some cleaners may be marked as natural, but some ingredients may cause discoloration or have an adverse reaction to your finish.
- Rinse with clean water and dry with a soft, absorbent cloth towel.
- Treat the frames with a liquid wax for maximum protection against UV rays and/or salty, damp air.



Questions, problems, missing parts? Before returning to the store,
call Hampton Bay Customer Service
8 a.m.-7 p.m., EST, Monday-Friday,
9 a.m.-6 p.m., EST, Saturday

1-855-HD-HAMPTON

HAMPTONBAY.COM

Retain this manual for future use.