

RYOBI
Item No. RY908000E
Mfg. No. 090930339
Replacement Parts List

TECHTRONIC INDUSTRIES POWER EQUIPMENT

P.O. Box 1288, Anderson, SC 29622 USA
1-800-860-4050 • www.ryobitools.com

RYOBI GENERATOR – RY908000E

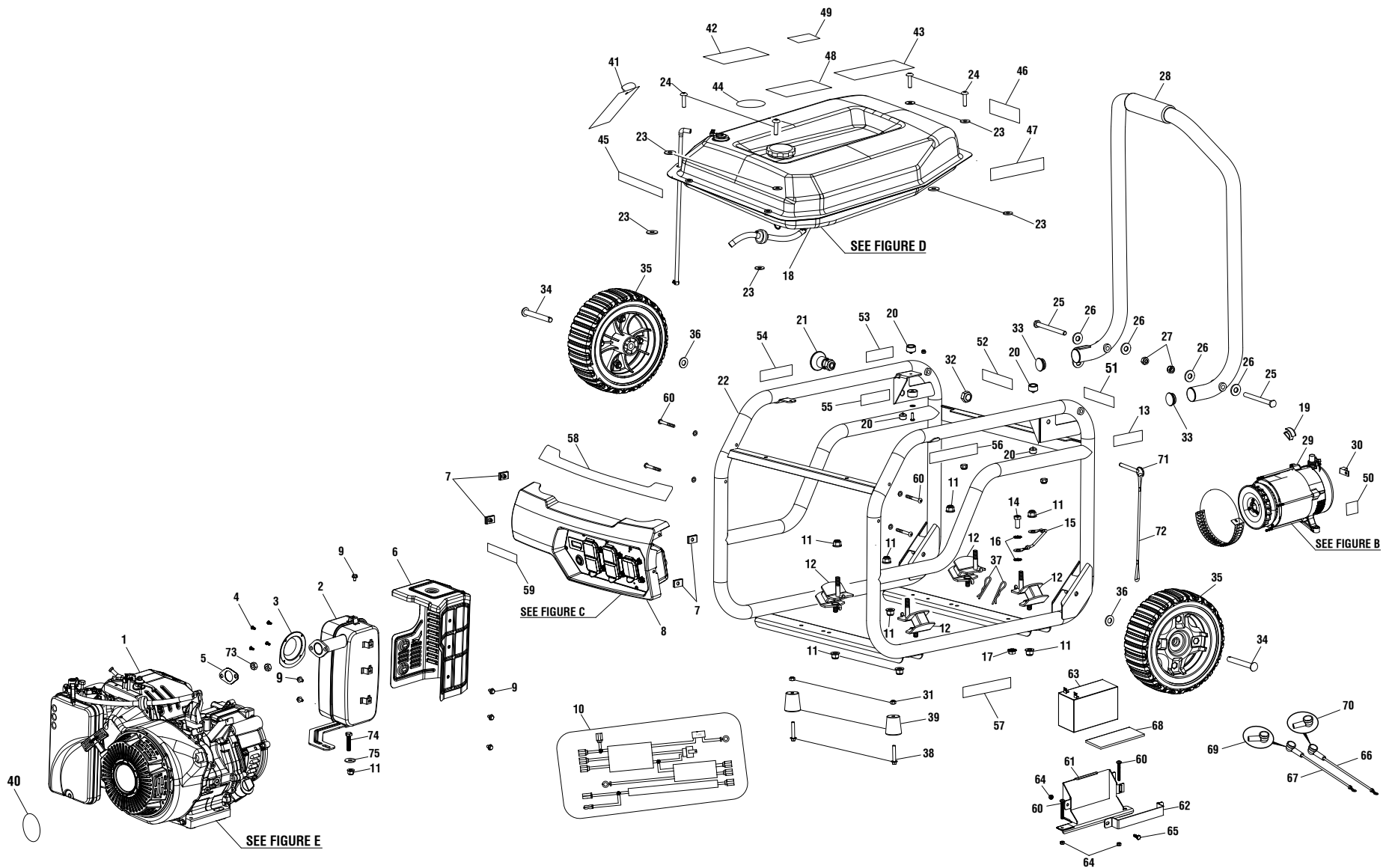


FIGURE A

RYOBI GENERATOR – RY908000E

The model number will be found on a label attached to the engine. Always mention the model number in all correspondence regarding your **GENERATOR** or when ordering replacement parts.

PARTS LIST – FIGURE A

| KEY PART NO. NUMBER | DESCRIPTION | QTY | KEY PART NO. NUMBER | DESCRIPTION | QTY | KEY PART NO. NUMBER | DESCRIPTION | QTY |
|------------------------|-------------|---|------------------------|-------------|--------------------------------------|------------------------|-----------------------|--------------------------------------|
| 1 | Note A | | 28 | 310224081 | Handle Assembly (Inc. Key No. 33) | 56 | 940974089 | Fire Distance Label |
| 2 | 309322041 | Muffler | 29 | 310227077 | Generator Head Assembly | 57 | 940708019 | Lubricant Label |
| 3 | 638147003 | Spark Arrester | 30 | 638703005 | Ground Lug | 58 | 940779230 | Performance Label |
| 4 | 661306001 | Screw (8-32 x 3/8 in.) | 31 | 678774003 | Lock Nut (M8) | 59 | 940647125 | Choke Label |
| 5 | 678728006 | Exhaust Gasket | 32 | 678518002 | Lock Nut (1/2-20) | 60 | 660224019 | Screw (M6 x 50 mm, T30 Torx Hd.) |
| 6 | 638497044 | Heat Shield | 33 | 519712003 | End Cap | 61 | 678714015 | Battery Tray |
| 7 | 678824004 | U-Clip (M6) | 34 | 681866002 | Axle Bolt | 62 | 308681009 | Battery Bracket |
| 8 | 290403092 | Control Panel Assembly | 35 | 308451033 | Wheel | 63 | 750400010 | Battery |
| 9 | 660975009 | Bolt (M6 x 9 mm, Hex Flange Hd.) | 36 | 638422004 | Washer (M10) | 64 | 678460009 | Lock Nut (M6) |
| 10 | 290435032 | Wire Assembly | 37 | 678146002 | Hitch Pin | 65 | 661505030 | Bolt (M6 x 16 mm, Hex Hd.) |
| 11 | 678774002 | Lock Nut (M8) | 38 | 661836007 | Bolt (M8 x 45 mm, Hex Flange Hd.) | 66 | 290418004 | Battery Cable (Red) |
| 12 | 679940003 | Isolator (Large) | 39 | 562856010 | Foot | 67 | 290419004 | Battery Cable (Black) |
| 13 | 940514010 | Lock Pin Label | 40 | 940633049 | Recoil Label | 68 | 570630004 | Battery Tray Gasket |
| 14 | 661502005 | Bolt (5/16-18 X 0.75 in.) | 41 | 940971087 | Notice Hangtag | 69 | 290419004 | Rubber Battery Cable Boot (Black) |
| 15 | 290404001 | Ground Wire Assembly | 42 | 940654359 | Danger Icon Warning Label | 70 | 570766013 | Rubber Battery Cable Boot (Red) |
| 16 | 638704001 | Star Washer (5/16 in.) | 43 | 940515016 | CPSC Label | 71 | 310712001 | Pin Release |
| 17 | 678145002 | Flange Nut (5/16-18) | 44 | 940872022 | Fuel Stabilizer Label | 72 | 310715001 | Lanyard |
| 18 | 310711180 | Fuel System | 45 | 940705327 | Logo Label | 73 | 678355001 | Hex Nut (M8) |
| 19 | 563030001 | Rubber Boot | 46 | 940947003 | Combustion Warning Label | 74 | 660973019 | Bolt (M8 x 40 mm, Hex Hd.) |
| 20 | 570712002 | Handle Bumper | 47 | 940617167 | Start Label | 75 | 638675001 | Washer (OD 25.4 x ID 9 x 1t) |
| 21 | 308910008 | Quick Release Pin (Inc Key No. 32) | 48 | 940872024 | Fuel Stabilizer Label (SP/FR) | Not Shown: | | |
| 22 | 308581077 | Carrier Assembly | 49 | 940872003 | E85 Label | 995000390 | Operator's Manual | |
| 23 | 638387002 | Washer (1/4 in., Type A) | 50 | 940513002 | Ground Label | 995000391 | Quick Reference Guide | |
| 24 | 660901003 | Screw (1/4-20 x 1 in., T30 Torx Hd.) | 51 | 940513029 | Ground Warning Label | 120302017 | Hardware Kit | |
| 25 | 678522032 | Handle Pivot Bolt | 52 | 940974007 | Fire Danger Label | | | |
| 26 | 638128002 | Washer (5/16 in.) | 53 | 940758005 | Pin Release Label | | | |
| 27 | 678259003 | Lock Nut (5/16-18) | 54 | 941486008 | Inquiries Label | | | |
| | | | 55 | 940680027 | Hot Surface Label | | | |

NOTE A: Techtronic Industries Power Equipment, Inc., will not provide complete engines as replacement parts. Engines are covered through the engine manufacturer's warranty. Consult the accompanying engine manual or contact our service department for assistance.

RYOBI GENERATOR – RY908000E

The model number will be found on a label attached to the engine. Always mention the model number in all correspondence regarding your **GENERATOR** or when ordering replacement parts.

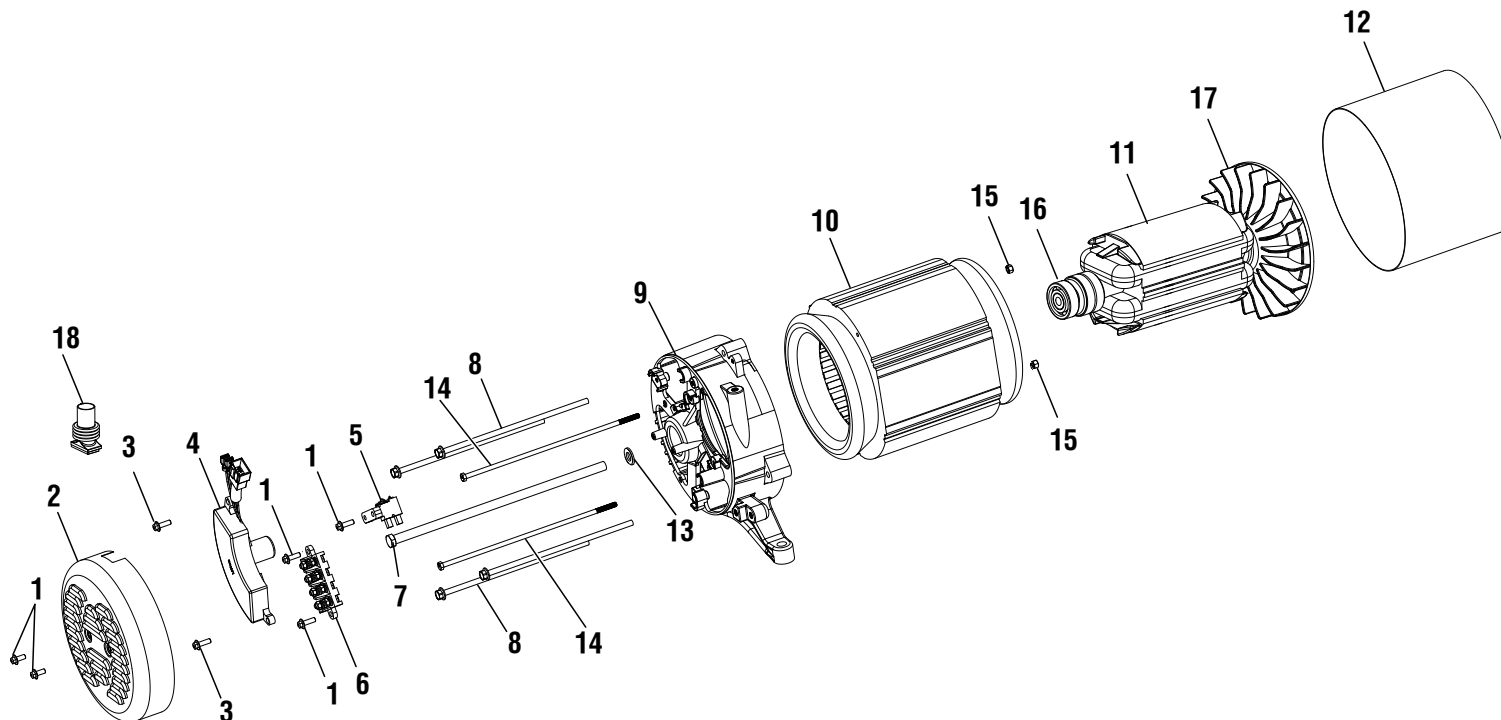


FIGURE B

| KEY NO. | PART NUMBER | DESCRIPTION | QTY | KEY NO. | PART NUMBER | DESCRIPTION | QTY |
|---------|-------------|--|-----|---------|-------------|-------------------------|-----|
| 1 | 660938012 | Bolt (M5 x 16 mm, Hex Flange Hd.)..... | 5 | 10 | 310772063 | Stator Assembly..... | 1 |
| 2 | 678296004 | Brush Cover | 1 | 11 | 310771069 | Rotor Assembly | 1 |
| 3 | 660938011 | Bolt (M5 x 12 mm, Hex Flange Hd.)..... | 2 | 12 | 638624023 | Wrapper | 1 |
| 4 | 290440012 | Automatic Voltage Regulator | 1 | 13 | 638623002 | Rotor Washer | 1 |
| 5 | 290441005 | Brush Assembly | 1 | 14 | 660938021 | Bolt (M6 x 229 mm)..... | 2 |
| 6 | 290602003 | Terminal Block | 1 | 15 | 690840002 | Hex Nut (M5) | 2 |
| 7 | 661557033 | Rotor Bolt (M10 x 280 mm)..... | 1 | 16 | 681963001 | Ball Bearing..... | 1 |
| 8 | 661603033 | Stator Bolt (M6 x 198 mm)..... | 4 | 17 | 307471001 | Fan | 1 |
| 9 | 678289008 | Bearing Housing | 1 | 18 | 570766004 | Rubber Boot | 1 |

RYOBI GENERATOR – RY908000E

The model number will be found on a label attached to the engine. Always mention the model number in all correspondence regarding your **GENERATOR** or when ordering replacement parts.

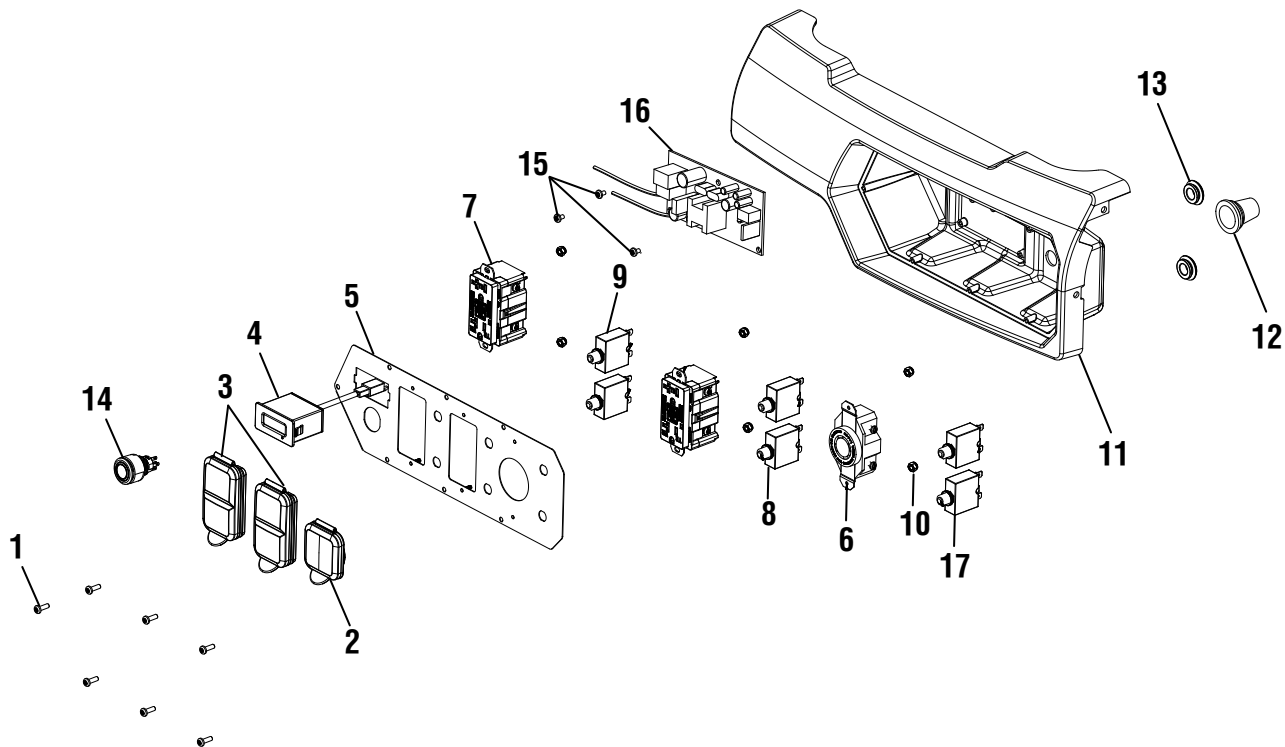


FIGURE C

| KEY NO. | PART NUMBER | DESCRIPTION | QTY | KEY NO. | PART NUMBER | DESCRIPTION | QTY |
|---------|-------------|---|-----|---------|-------------|--------------------------|-----|
| 1 | 660899002 | Screw (M8-18 x ½ in. T20 Torx Hd.) | 7 | 9 | 780350009 | Circuit Breaker (20 Amp) | 2 |
| 2 | 570412007 | Outlet Cover | 1 | 10 | 678827004 | Lock Nut (M4) | 6 |
| 3 | 570412008 | Duplex Outlet Cover | 2 | 11 | 519815010 | Control Box (Back Panel) | 1 |
| 4 | 290492005 | Digital Meter | 1 | 12 | 570766006 | Rubber Boot | 1 |
| 5 | 638496048 | Front Panel | 1 | 13 | 570766010 | Grommet | 2 |
| 6 | 290401004 | Twist Lock Receptacle (120/240 Volt, 30 Amp, L14-30) | 1 | 14 | 270290019 | Engine Start Push Switch | 1 |
| 7 | 290400023 | Duplex Receptacle (120V) | 2 | 15 | 660923015 | Screw (M3 x 5 mm) | 3 |
| 8 | 780351019 | Circuit Breaker (30 Amp) | 2 | 16 | 140173027 | Battery Charger | 1 |
| | | | | 17 | 780351020 | Circuit Breaker (33 Amp) | 2 |

RYOBI GENERATOR – RY908000E

The model number will be found on a label attached to the engine. Always mention the model number in all correspondence regarding your **GENERATOR** or when ordering replacement parts.

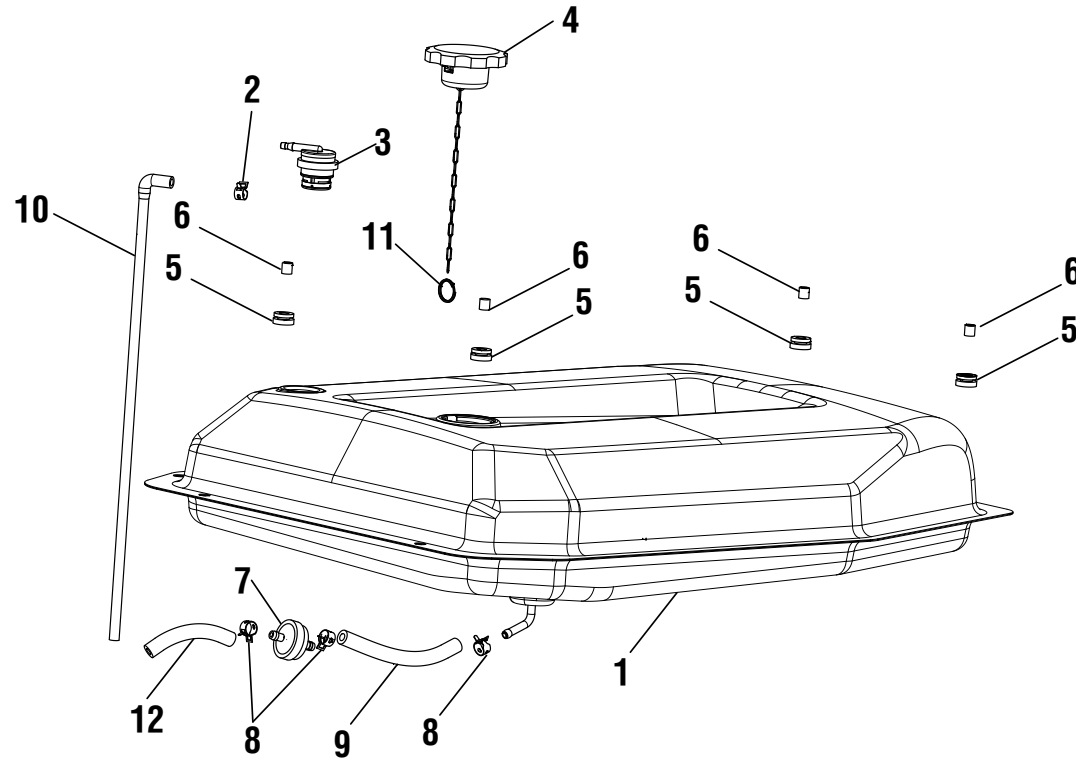
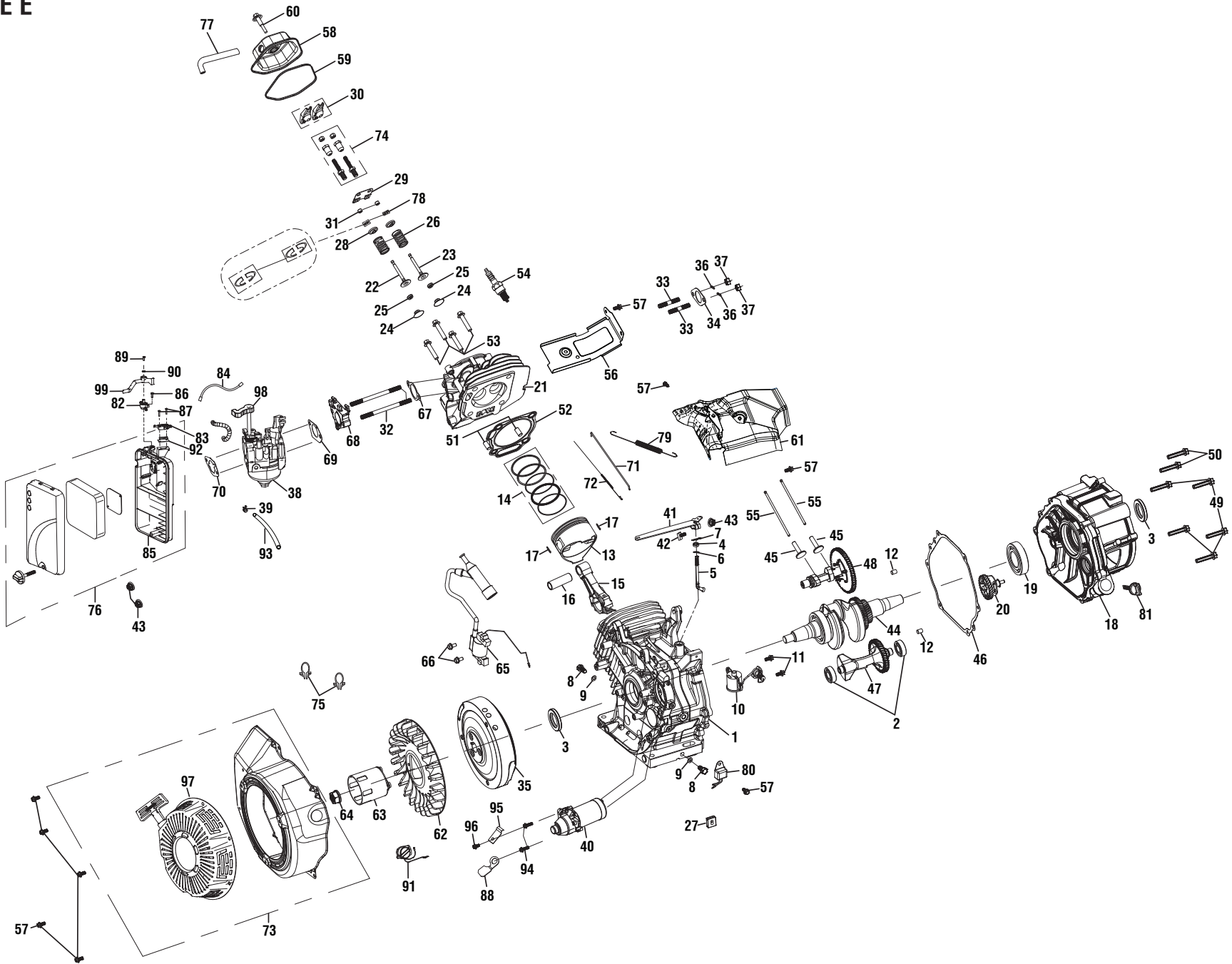


FIGURE D

| KEY NO. | PART NUMBER | DESCRIPTION | QTY | KEY NO. | PART NUMBER | DESCRIPTION | QTY |
|---------|-------------|---------------------------------|-----|---------|-------------|-----------------------------------|-----|
| 1 | 310711097 | Fuel Tank..... | 1 | 7 | 308733001 | Fuel Filter Inline (1/4 in.)..... | 1 |
| 2 | 678409003 | Fuel Line Clamp (7/16 in.)..... | 1 | 8 | 678408006 | Fuel Line Clamp (1/2 in.)..... | 3 |
| 3 | 310854006 | Vapor Vent..... | 1 | 9 | 570358162 | Fuel Hose (175 mm)..... | 1 |
| 4 | 310720026 | Fuel Cap..... | 1 | 10 | 570358163 | Vapor Hose | 1 |
| 5 | 519832003 | Bushing..... | 4 | 11 | 678899007 | Ring Clip | 1 |
| 6 | 518528002 | Isolator..... | 4 | 12 | 570358161 | Fuel Hose (85 mm)..... | 1 |

RYOBI GENERATOR – RY908000E

FIGURE E



RYOBI GENERATOR – RY908000E

The model number will be found on a label attached to the engine. Always mention the model number in all correspondence regarding your **GENERATOR** or when ordering replacement parts.

PARTS LIST – FIGURE E

| KEY | P/N | DESCRIPTION | QTY | KEY | P/N | DESCRIPTION | QTY |
|-----|---------|---------------------------------|-----|-----|-----------|---------------------------------|-----|
| 1 | D260218 | Crankcase..... | 1 | 28 | D261805 | Exhaust Valve Spring Seat | 2 |
| 2 | D93002 | Ball Bearing | 2 | 29 | D262201 | Push Rod Guide Plate | 1 |
| 3 | D93511 | Oil Seal | 2 | 30 | D262101 | Rocker Assembly..... | 2 |
| 4 | D93514 | Governor Arm Shaft..... | 1 | 31 | D261806 | Rotator..... | 2 |
| 5 | D263901 | Governor Arm Shaft..... | 1 | 32 | D91016 | Stud Bolt..... | 2 |
| 6 | D96806 | Governor Arm Shaft Washer..... | 1 | 33 | D91007 | Stud Bolt..... | 2 |
| 7 | D263902 | Lock Pin | 1 | 34 | D96083 | Exhaust Packing..... | 1 |
| 8 | D91817 | Drain Plug Bolt..... | 2 | 35 | D260407 | Flywheel Assembly..... | 1 |
| 9 | D94004 | Drain Plug Washer | 2 | 36 | D94206 | Spring Washer | 2 |
| 10 | D265102 | Oil Level Switch Assembly | 1 | 37 | D90011 | Nut (M8)..... | 2 |
| 11 | D91329 | Bolt (M6 x16 mm) | 2 | 38 | D262839 | Carburetor Assembly..... | 1 |
| 12 | D240901 | Casecover Dowel Pin | 2 | 39 | 678815010 | Fuel Line Clip..... | 1 |
| 13 | D261205 | Piston..... | 1 | 40 | D97415 | Starting Motor Assembly | 1 |
| 14 | D261604 | Piston Scraper Ring Set | 1 | 41 | D264001 | Governor Arm | 1 |
| 15 | D261503 | Connecting Rod Assembly | 1 | 42 | D91822 | Governor Arm Bolt..... | 1 |
| 16 | D265501 | Piston Pin | 1 | 43 | D90016 | Nut (M6)..... | 3 |
| 17 | D261301 | Piston Clip | 2 | 44 | D260316 | Crankshaft Assembly..... | 1 |
| 18 | D260111 | Crankcase Cover Assembly | 1 | 45 | D266101 | Valve Lifter | 2 |
| 19 | D93015 | Ball Bearing | 1 | 46 | D96072 | Casecover Package..... | 1 |
| 20 | D264301 | Governor Assembly | 1 | 47 | D260301 | Balancing Shaft | 1 |
| 21 | D261002 | Cylinder Head..... | 1 | 48 | D262003 | Camshaft Assembly..... | 1 |
| 22 | D261702 | In Valve | 1 | 49 | D91348 | Bolt (M8 x 35 mm) | 5 |
| 23 | D265903 | Exhaust Valve | 1 | 50 | D91349 | Bolt (M8 x 40 mm) | 2 |
| 24 | D261807 | Intake Valve Returner..... | 2 | 51 | D260901 | Dowel Pin | 2 |
| 25 | D93513 | Oil Seal Valve..... | 2 | 52 | D96089 | Cylinder Head Gasket | 1 |
| 26 | D266002 | Valve Spring..... | 2 | 53 | D91321 | Bolt (M10 x 80 mm) | 4 |
| 27 | D269901 | Starter Assembly Rubber | 1 | 54 | D97108 | Spark Pulg | 1 |

⚠ WARNING:
To avoid possible personal injury or equipment damage, a registered electrician or an authorized service representative should perform installation and all service. Under no circumstances should an unqualified person attempt to wire into a utility circuit.

RYOBI GENERATOR – RY908000E

The model number will be found on a label attached to the engine. Always mention the model number in all correspondence regarding your **GENERATOR** or when ordering replacement parts.

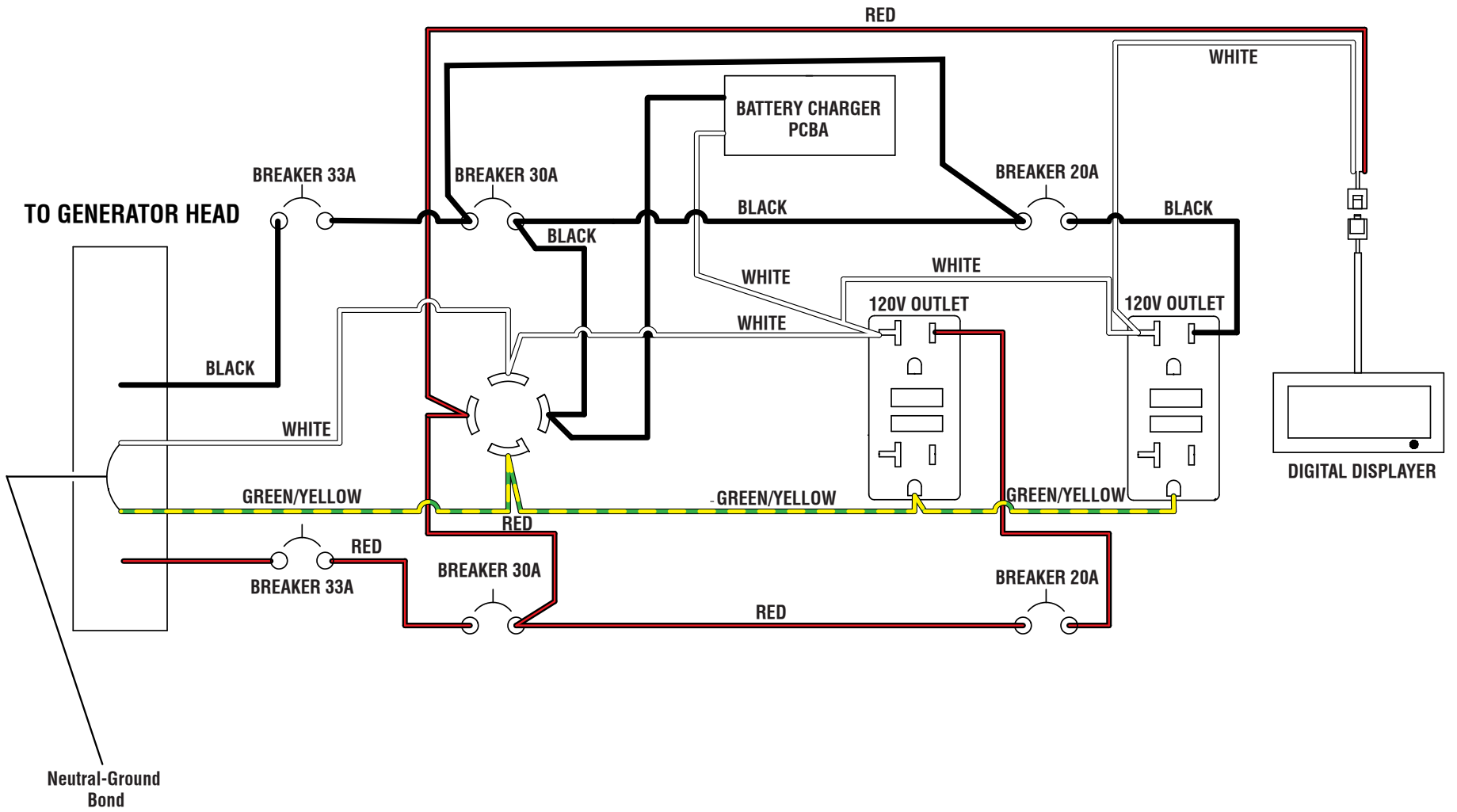
PARTS LIST – FIGURE E

| KEY | P/N | DESCRIPTION | QTY | KEY | P/N | DESCRIPTION | QTY |
|-----|-------------|--------------------------------|-----|------------------|-----------|---|-----|
| 55 | D261901 | Push Rod..... | 2 | 82 | 678670007 | Fuel Valve | 1 |
| 56 | D260501 | Shroud | 1 | 83 | 291443003 | Enginge Stop Switch | 1 |
| 57 | D91325 | Bolt (M6 x 12 mm) | 9 | 84 | D536408 | Flameout Wire..... | 1 |
| 58 | D261104 | Cylinder Head Cover Comp | 1 | 85 | 518248003 | Engine Air Box..... | 1 |
| 59 | D96075 | Headcover Packing | 1 | 86 | 660972028 | Bolt (M6 x 10 mm, Pan Hd.) | 1 |
| 60 | D91819 | Lock Bolt | 1 | 87 | 661864011 | Screw (St2.9 x 16 mm, Pan Hd.) | 2 |
| 61 | D264416 | Upper Shroud Assembly | 1 | 88 | D269902 | Clamper Cord A..... | 1 |
| 62 | D264601 | Recoil Starter Fan..... | 1 | 89 | 660465002 | Bolt (M4 x 10 mm, Pan Hd.) | 1 |
| 63 | D264501 | Starter Pulley | 1 | 90 | 673156001 | Washer..... | 1 |
| 64 | D90004 | Hex Nut..... | 1 | 91 | D536406 | Switch Assembly | 1 |
| 65 | D97589 | Ignition Coil Assembly | 1 | 92 | 638970004 | Stop Engine Bracket..... | 1 |
| 66 | D91331 | Bolt (M6 x 25 mm) | 2 | 93 | 570358154 | Fuel Hose (300 mm)..... | 1 |
| 67 | D96078 | Intake Packing | 1 | 94 | D91333 | Bolt (M6 x 28 mm) | 2 |
| 68 | D262301 | Carburetor Insulator..... | 1 | 95 | D249901 | Clamper Cord A..... | 1 |
| 69 | D96081 | Carburetor Packing | 1 | 96 | D91340 | Bolt (M6 x 8 mm) | 1 |
| 70 | D94227 | Carburetor Spacer | 1 | 97 | 636997001 | Recoil Cover | 1 |
| 71 | D262701 | Governor Rod | 1 | 98 | 590458022 | Choke Lever (Grey)..... | 1 |
| 72 | D264201 | Throttle Return Spring | 1 | 99 | 525361006 | Control Lever (Grey)..... | 1 |
| 73 | D264729-164 | Recoil Starter Assembly | 1 | Not Shown | | | |
| 74 | D91818 | Rocker Arm Adujuster | 2 | | 120968004 | High Alt Kit (DUCAR 420CC 2000-3,000 FT) | |
| 75 | D260801 | Clip | 2 | | 120968016 | High Alt Kit (DUCAR 420CC 3000-5000 FT) | |
| 76 | D262922 | Air Cleaner Assembly | 1 | | 120968017 | High Alt Kit (DUCAR 420CC 5000-6000 FT) | |
| 77 | D95622 | Breather Tube | 1 | | 120968018 | High Alt Kit (DUCAR 420CC 6000-7000 FT) | |
| 78 | D260802 | Locking Flaps | 4 | | | | |
| 79 | D264101 | Governor Spring | 1 | | | | |
| 80 | D245111 | Amplifier..... | 1 | | | | |
| 81 | D265614 | Dipstick..... | 1 | | | | |

WARNING:

To avoid possible personal injury or equipment damage, a registered electrician or an authorized service representative should perform installation and all service. Under no circumstances should an unqualified person attempt to wire into a utility circuit.

RYOBI GENERATOR - RY908000E



WIRING DIAGRAM