

# NV51K7770SS

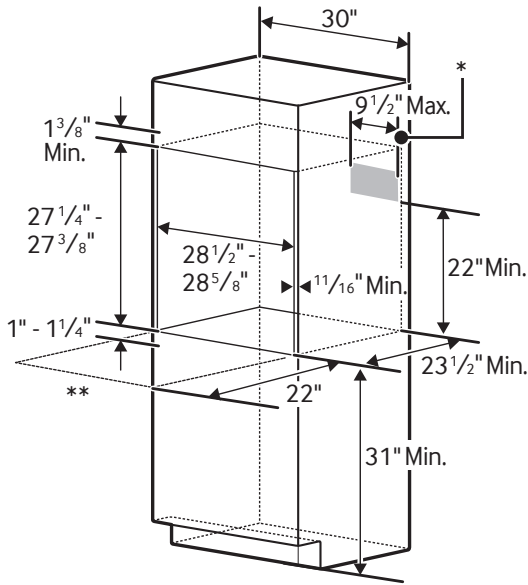
## 30" Single Wall Oven

### Cabinet Dimensions

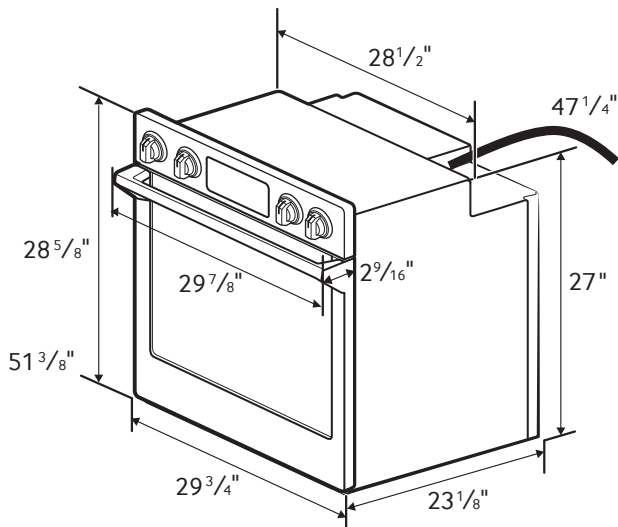
Single Oven Installed in Cabinet

\*Junction Box

\*\*Allow a minimum of 22" for clearance to adjacent corners, drawers, walls, etc. when door is open.



### Product Dimensions



### Convection Wall Oven

- Hidden Bake Element
- Bake: 175°F–550°F
- Convection Bake: 175°F–550°F
- Convection Roast: 175°F–550°F
- Broil: Low-High
- Steam Bake: 230°F–550°F
- Steam Roast: 230°F–550°F
- Proofing
- Sabbath Mode

### Warranty

One (1) Year All Parts and Labor

### Product Dimensions & Weight (WxHxD)

Outside (Max) Wall Oven Dimensions:

29 7/8" x 28 5/8" x 25 11/16"

Wall Oven Cut-Out Dimensions:

28 1/2" x 27 1/4" x 23 1/2"

Weight: 149.9 lbs.

### Shipping Dimensions & Weight (WxHxD)

Dimensions:

33 1/2" x 33 3/4" x 29 13/16"

Weight: 176.4 lbs.

Color	Model #	UPC Code
Stainless Steel	NV51K7770SS	887276181691
Black Stainless Steel	NV51K7770SG	887276181752

KW RATING	
240V	6.2 kW
208V	4.7 kW
BREAKER SIZE	
240V	30 Amps
208V	30 Amps

**SAMSUNG**

Actual color may vary. Design, specifications, and color availability are subject to change without notice. Non-metric weights and measurements are approximate.

©2017 Samsung Electronics America, Inc. 85 Challenger Road, Ridgefield Park, NJ 07660. Tel: 800-SAMSUNG. samsung.com. Samsung is a registered trademark of Samsung Electronics Co., Ltd.