

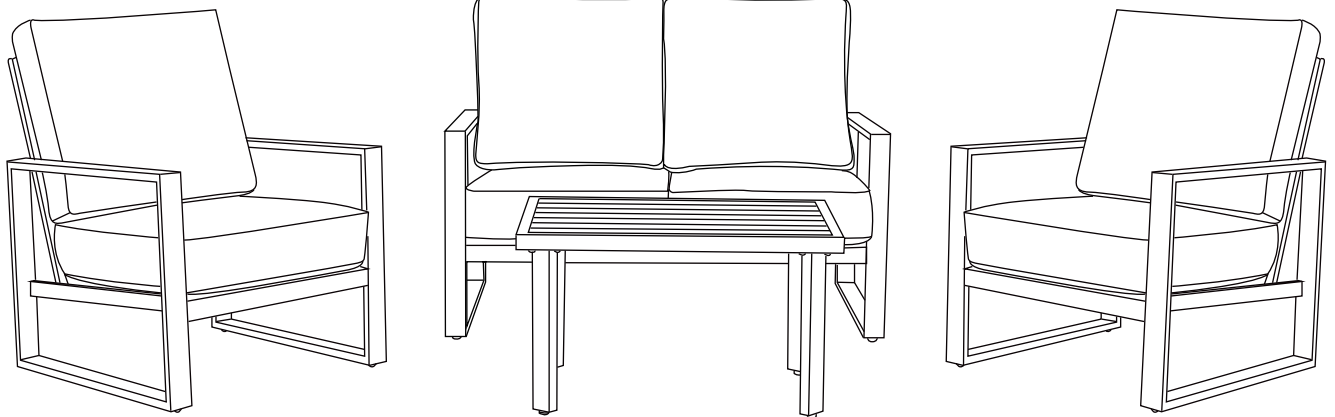
Item #1000 000 000

Model #PH20TL4S

HAMPTON BAY[®]

USE AND CARE GUIDE

Mansford Park 4pc Deep Seating Set



Questions, problems, missing parts? Before returning to the store,
call Hampton Bay Customer Service
8 a.m. - 7 p.m., EST, Monday – Friday, 9 a.m. – 6 p.m., EST, Saturday

1-855-HD-HAMPTON

HAMPTONBAY.COM

THANK YOU

We appreciate the trust and confidence you have placed in Hampton Bay through the purchase of this Mansford Park 4pc Deep Seating Set. We strive to continually create quality products designed to enhance your home. Visit us online to see our full line of products available for your home improvement needs. Thank you for choosing Hampton Bay!

Table of Contents

Table of Contents	2	Pre-Assembly	3
Important Safety Instructions	2	Planning Assembly	3
Warranty	3	Hardware Included	4
5 Year Frame and 2 Year Fabric Limited Warranty.....	3	Package Contents	5
What Is Covered	3	Assembly	6
What Is Not Covered	3		
Care & Cleaning	3		

Important Safety Instructions

READ ALL INSTRUCTIONS BEFORE USE

When using furnishing, basic precautions should always be followed, including the following:

Read all instructions before using this furnishing.

To reduce the risk of injury to persons:

1. Close supervision is necessary when this furnishing is used by or near children, or disabled persons, if applicable.
2. Use this furnishing only for its intended use as described in these instructions. Do not use attachments not recommended by the manufacturer.

Warranty

5 YEAR FRAME AND 2 YEAR FABRIC LIMITED WARRANTY

WHAT IS COVERED

We warrant the frame to be free of manufacturing defects to the original purchaser for 5 years and the fabric for 2 years.

WHAT IS NOT COVERED

It remains the customer's responsibility for freight and packaging charges to and from our service center. This warranty does not cover commercial use, hardware, acts of nature, fire, freezing and abusive use. In addition, purchased parts are not covered under this warranty. We reserve the right to make substitutions with similar merchandise, if the model in question is no longer in production.

Care & Cleaning

Before using, wipe with a clean, dry cloth. Do not use bleach or solvents. Treat frame with one step liquid wax for maximum protection against UV light and salty, damp air. When not in use, store furniture in a cool, dry place. If your set includes cushions, they may be cleaned by hand with a mild solution of soap and water. Rinse cushion thoroughly and allow to drip dry. Do not machine wash or tumble dry, as cushions may shrink. Do not use bleach or solvents on fabrics. When cleaning the tabletop make sure to use a soft, clean cloth that doesn't bleed color as well.

You may contact our customer service department with any questions by phone at 1-855-HD-HAMPTON or visit www.hamptonbay.com.

Pre-Assembly

PLANNING ASSEMBLY

It will take two people about 25 minutes to complete the assembly process.

Pre-Assembly (continued)

HARDWARE INCLUDED

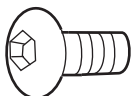


NOTE: Hardware not shown to actual size.

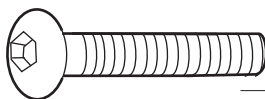
Lounge Chairs



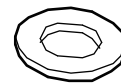
AA



BB



CC



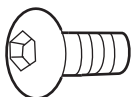
DD

Part	Description	Quantity
AA	Bolt cap (M6)	16
BB	Bolt (M6x20)	4
CC	Bolt (M6x40)	12
DD	Washer (M6)	16

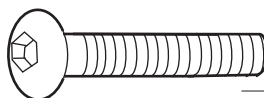
Love Seat



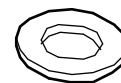
AA



BB



CC



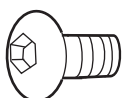
DD

Part	Description	Quantity
AA	Bolt cap (M6)	9
BB	Bolt (M6x20)	3
CC	Bolt (M6x40)	6
DD	Washer (M6)	9

Coffee Table



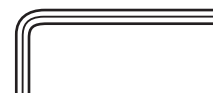
AA



FF



DD



EE

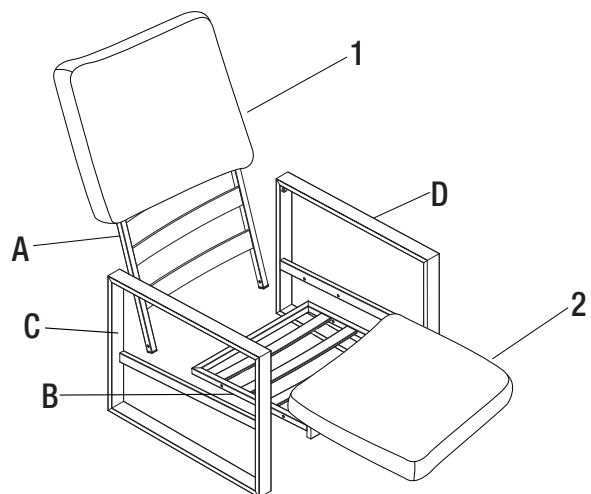
Part	Description	Quantity
AA	Bolt cap (M6)	12
FF	Bolt (M6x15)	12
DD	Washer (M6)	12
EE	Hex wrench	1

Pre-Assembly (continued)

PACKAGE CONTENTS

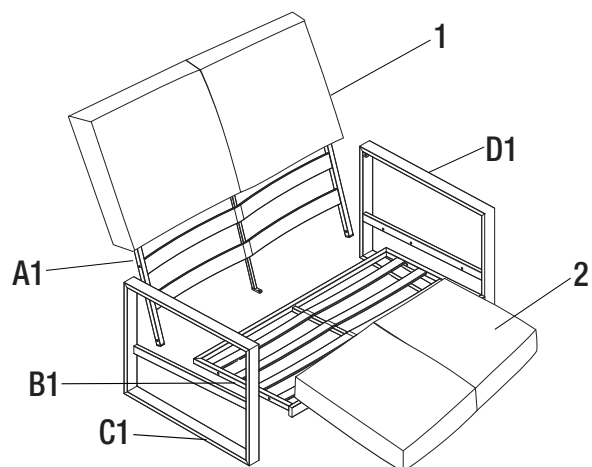
Lounge Chairs

Part	Description	Quantity
A	Back panel	2
B	Seat panel	2
C	Right armrest	2
D	Left armrest	2
1	Back cushion	2
2	Seat cushion	2



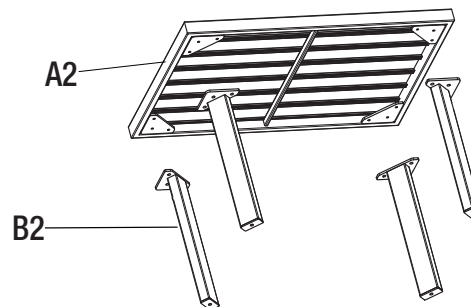
Love Seat

Part	Description	Quantity
A1	Back panel	1
B1	Seat panel	1
C1	Right armrest	1
D1	Left armrest	1
1	Back cushion	2
2	Seat cushion	2



Coffee Table

Part	Description	Quantity
A2	Table top	1
B2	Table leg	4



Assembly - [Lounge Chairs]

1 Attaching armrests

- Place the right armrest (C) on its side on a flat, smooth surface.
- Align the seat panel (B) to the armrest (C).



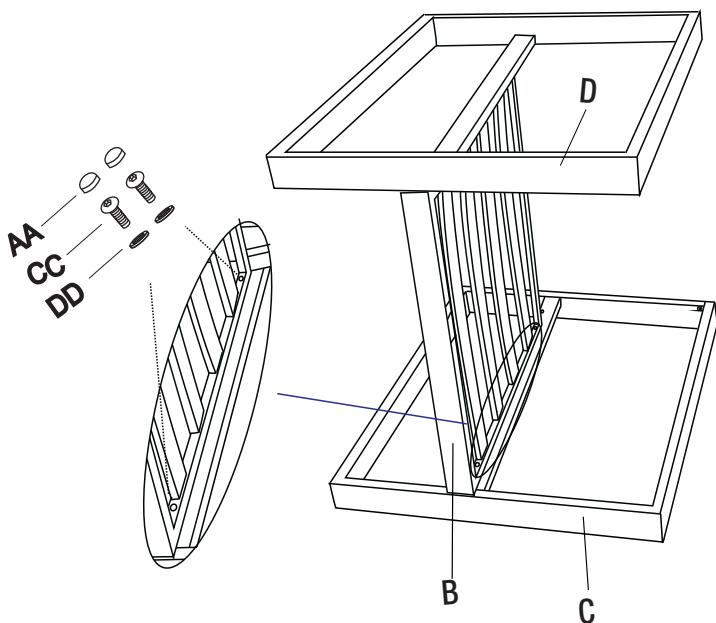
IMPORTANT: You will need to align the seat panel (B) to the proper armrest by lining up the bolt holes on each part.

- Secure the seat panel (B) to the armrest (C) with washers (DD) and bolts (CC) using the hex wrench.



IMPORTANT: Do not fully tighten bolts until the end of Step 2.

- Repeat the above procedure to attach the left armrest (D).
- Cover all bolts (CC) with bolt caps (AA).



2 Attaching the back panel

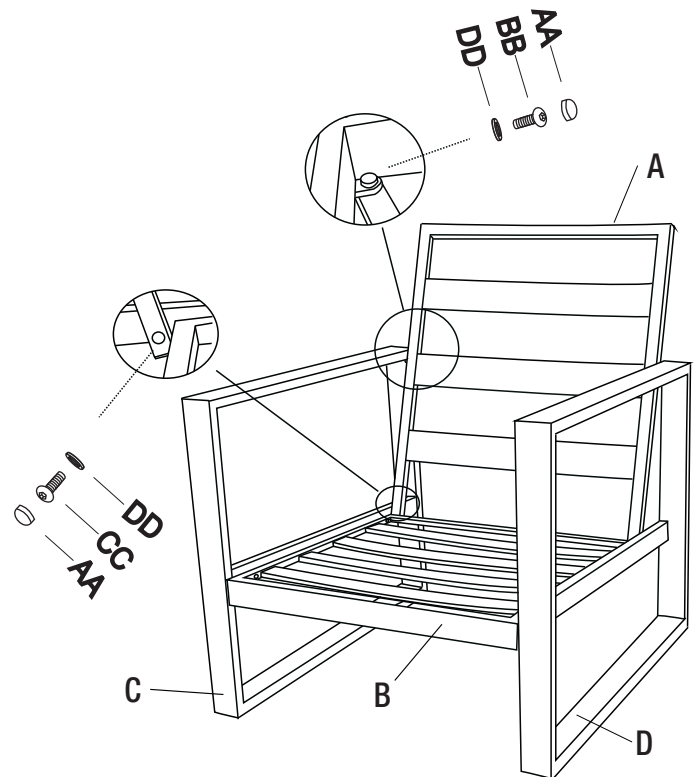
- Align the back panel (A) to armrests (C) and (D).
- Attach the armrests (C) and (D) to the back panel (A) with washers (DD) and bolts (BB) using the hex wrench.



NOTE:

Please note that the assembly holes for the left and right side of the back panel is offset to avoid incorrect assembly. Place the back panel (A) with the curve facing outward from the chair frame.

- Attach the back panel (A) to the seat panel (B) with a washer (DD) and bolt (CC) using the hex wrench.
- Fully tighten all bolts (BB) and (CC) once all bolts are in place.
- Cover all bolts (BB) and (CC) with bolt caps (AA).



Assembly - [Love Seat]

1 Attaching armrests

- Place the left armrest (C1) on its rear side on a flat, smooth surface.
- Align the seat panel (B1) to the armrest (C1).



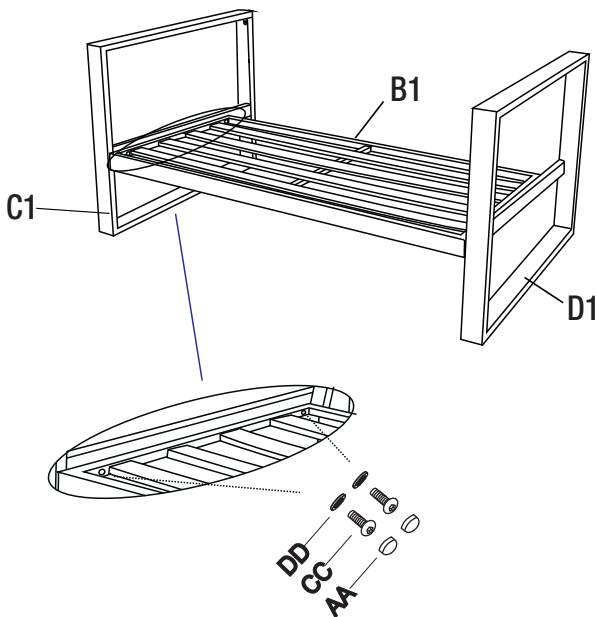
IMPORTANT: You will need to align the seat panel (B1) to the proper armrest by lining up the bolt holes on each part.

- Secure the seat panel (B1) to the armrest (C1) with washers (DD) and bolts (CC) using the hex wrench.



IMPORTANT: You Do not fully tighten bolts until the end of Step 4.

- Repeat the above procedure to attach the right armrest (D1).
- Cover all bolts (CC) with bolt caps (AA).



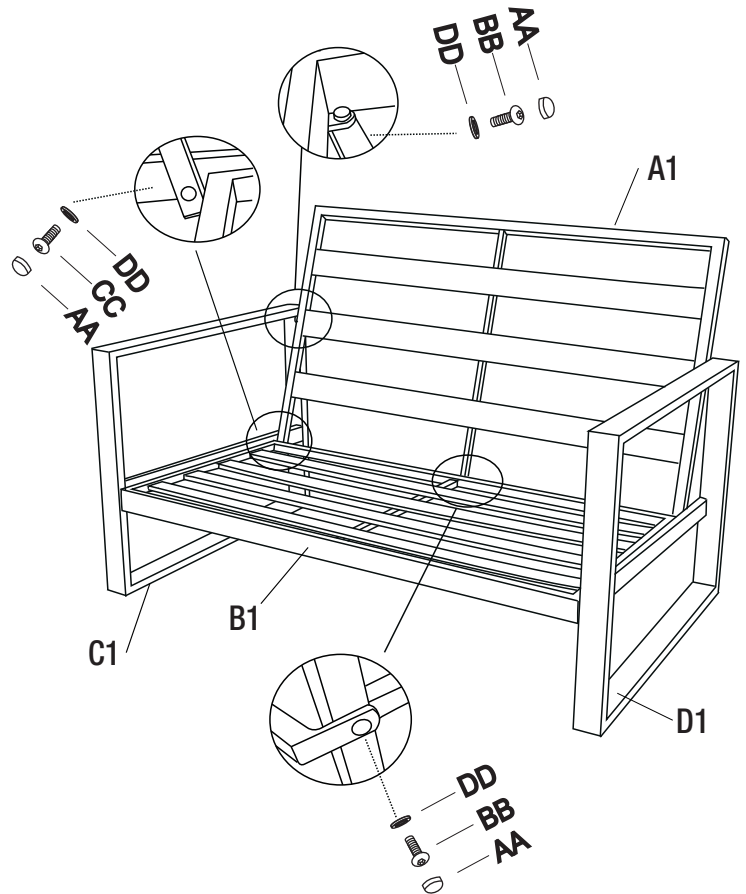
2 Attaching the back panel

- Align the back panel (A1) to armrests (C1), (D1) and the seat panel (B1).
- Attach armrests (C1) and (D1) to the back panel (A1) with washers (DD) and bolts (BB) using the hex wrench.



NOTE: Please note that the assembly holes for the left and right side of the back panel is offset to avoid misassembly. Place the back panel (A1) with the curve facing outward from the chair frame.

- Attach the back panel (A1) to the seat panel (B1) with a washer (DD) and bolt (CC) using the hex wrench.
- Fully tighten all bolts (BB) and (CC) once all bolts are in place.
- Cover all bolts (BB) and (CC) with bolt caps (AA).



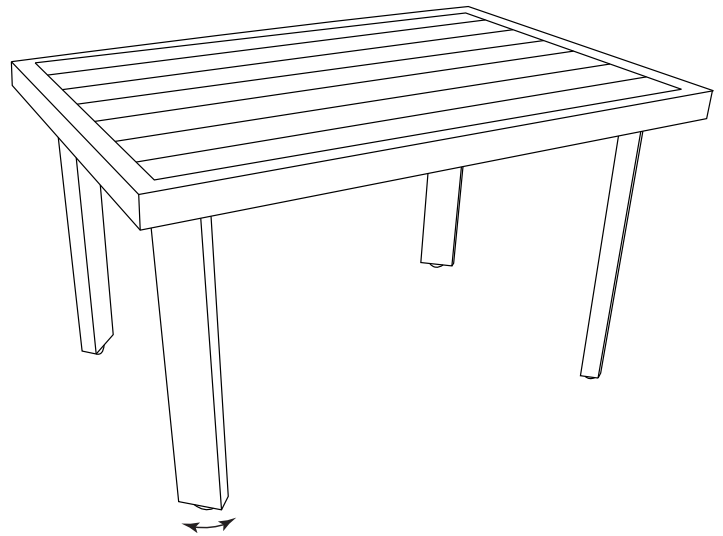
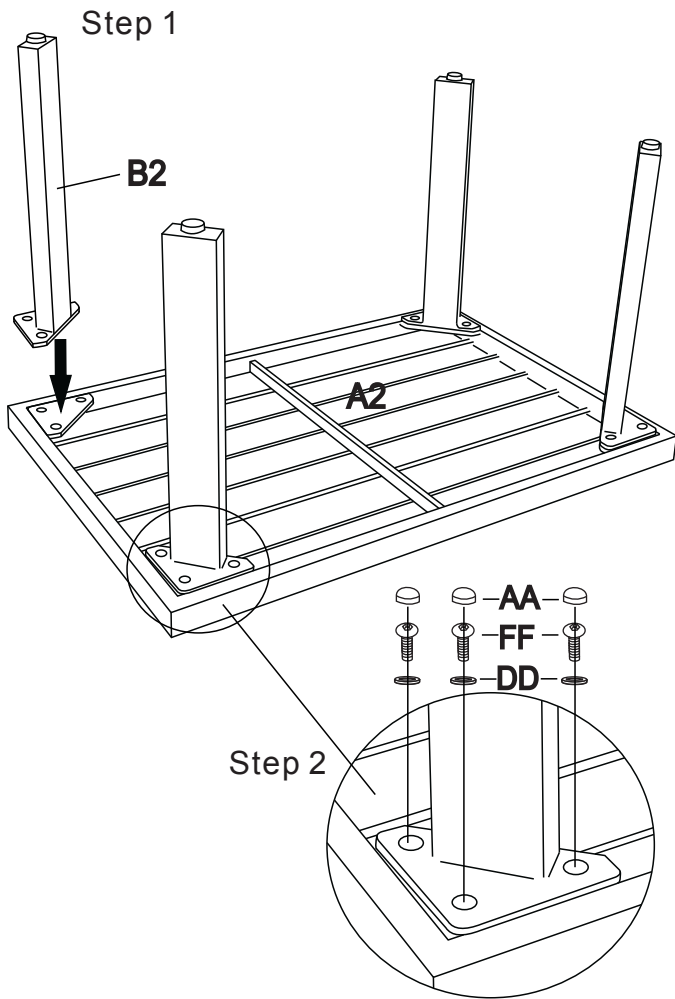
Assembly - [Coffee Table]

1 Attaching table legs

- Place the table top (A2) upside down on a flat, smooth surface.
- Align the table legs (B2) to the table top (A2).
- Secure the table legs (B2) to the table top (A2) with washers (DD) and bolts (FF) using the hex wrench.
- Fully tighten all bolts (FF) once all bolts (FF) are in place. Cover all bolts with bolt caps (AA).

2 Stabilizing the table

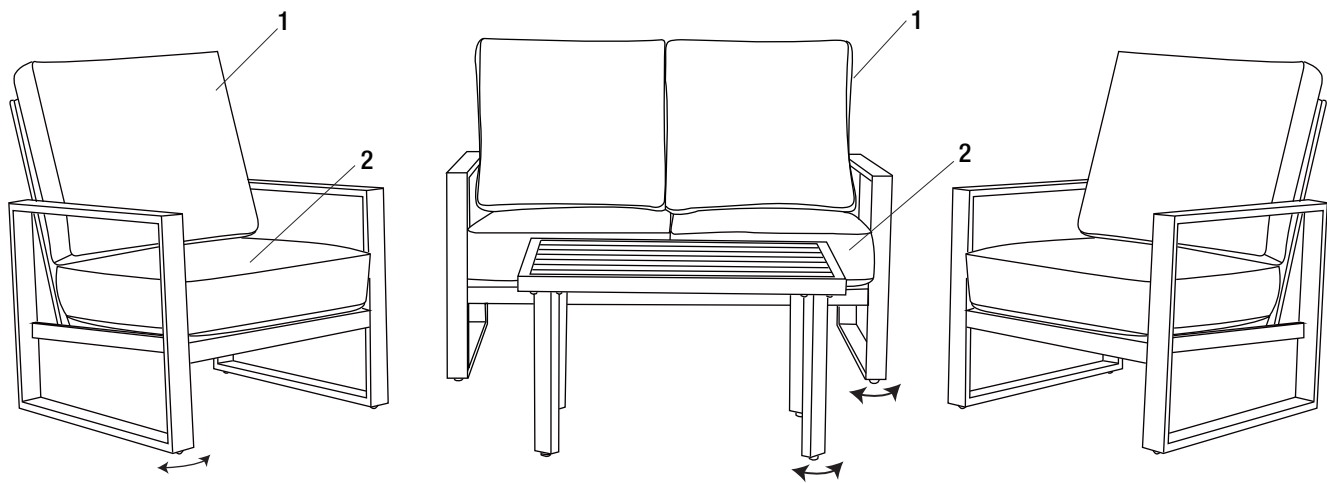
- Turn the table upright.
- If necessary level the table with foot glides at the bottom of each table leg.



Assembly - [Completing Assembly]

1 Placing cushions

- Place cushions (1 and 2) on the lounge chairs and love seat.
- Level the chairs with foot glides if necessary.



HAMPTON BAY[®]

Questions, problems, missing parts? Before returning to the store,
call Hampton Bay Customer Service
8 a.m. – 7 p.m., EST, Monday – Friday, 9 a.m. – 6 p.m., EST, Saturday

1-855-HD-HAMPTON

HAMPTONBAY.COM

Retain this manual for future use.