



# VENTED NATURAL GAS LOGS

## MODELS

- VL-WO18D / VL-WO24D / VL-WO30D
- VL-AA18D / VL-AA24D / VL-AA30D
- VL-NO18D / VL-NO24D / VL-NO30D
- VL-SA18D / VL-SA24D / VL-SA30D
- VL-CA18D / VL-CA24D / VL-CA30D



0418GL012S

Complies with ANSI Z21.84-2012, Standard for Manually lighted, Natural Gas Decorative Gas Appliances for Installation in Solid-Fuel Burning Fireplaces.

Complies with ANSI Z21.60-2012, Standard for Decorative Gas Appliances for Installation in Solid-Fuel Burning Fireplaces when the LP Conversion Kit (SPK100) is installed by a qualified technician.

### **CAUTION - FOR YOUR SAFETY**

**WARNING: IF THE INFORMATION IN THIS MANUAL IS NOT FOLLOWED EXACTLY, A FIRE OR EXPLOSION MAY RESULT CAUSING PROPERTY DAMAGE, PERSONAL INJURY OR LOSS OF LIFE.**

- Do not store or use gasoline or other flammable vapors and liquids in the vicinity of this or any other appliance.
- WHAT TO DO IF YOU SMELL GAS
  - Do not try to light any appliance.
  - Do not touch any electrical switch; do not use any phone in your building.
  - Immediately call your gas supplier from a neighbor's phone. Follow the gas supplier's instructions.
  - If you cannot reach your gas supplier, call the fire department.
- Installation and service must be performed by a qualified installer, service agency or the gas supplier.

This is a gas-fire appliance. It uses air (oxygen) from the room in which it is installed. Provisions for adequate combustion and ventilation air must be provided. Refer to Air For Combustion and Ventilation of page 7 of this manual.

**INSTALLER: Leave this manual with the appliance.**  
**CONSUMER: Retain this manual for future reference.**

This appliance is convertible for use with propane/LP gas by using the MANUAL ON/OFF VALVE/SAFETY PILOT KIT (see ACCESSORIES on page 18).



**Questions, problems, missing parts?** Before returning to your retailer, call our customer service department at 1-877-447-4768, 8:30 a.m. – 4:30 p.m., CST, Monday – Friday or email us at [customerservice@ghpgroupinc.com](mailto:customerservice@ghpgroupinc.com).



## TABLE OF CONTENTS

Specifications .....	2
Important Safety Information .....	3
Product Identification .....	5
Product Features .....	6
Unpacking.....	6
Preparing for Installation.....	7
Installation .....	8
Assembling Logs .....	12
Operation.....	15
Care and Maintenance .....	17
Accessories .....	18
Troubleshooting .....	19
Replacement Parts .....	21
Warranty .....	23

### SPECIFICATIONS

**Note:** *This vented appliance must be installed only in a solid-fuel burning fireplace with a working flue and constructed of noncombustible material.*

The charts indicate technical information regarding the installation of your gas log set.

Please make sure that all of the specifications shown are applicable before installation is attempted.

The fireplace must include a working flue and venting system with the minimum openings shown as below.

ITEM	VL-WO18D	VL-WO24D	VL-WO30D
	VL-AA18D VL-NO18D VL-SA18D VL-CA18D	VL-AA24D VL-NO24D VL-SA24D VL-CA24D	VL-AA30D VL-NO30D VL-SA30D VL-CA30D
Input Rating (BTU/Hr)	45,000	55,000	65,000
Gas Type	NG	NG	NG
Ignition Type	Match	Match	Match
Max. Inlet Pressure	7" WC	7" WC	7" WC
Min. Inlet Pressure	5.5" WC	5.5" WC	5.5" WC
Normal Pressure	7" WC	7" WC	7" WC
(For Purpose of Input Adjustment)			
Minimum Vent Opening	8" Diameter	8" Diameter	8" Diameter

Log Size	Minimum Firebox Size			
	Height	Depth	Front Width	Rear Width
18 in. Vented	19"	15"	24"*	20"
24 in. Vented	19"	15"	30"*	26"
30 in. Vented	20"	15"	36"*	32"

\*Important: If adding a Liquid Propane Conversion Safety Pilot Kit to the burner, 8" needs to be added to the front width dimension.

## SAFETY INFORMATION

**IMPORTANT:** Read this owner's manual carefully and completely before trying to assemble, operate, or service this log set. Improper use of this log set can cause serious injury or death from burns, fire, explosion, electrical shock, and carbon monoxide poisoning.

Only a qualified installer, service agent, or local gas supplier may install and service this product.

**WARNING:** Do not store or use gasoline or other flammable vapors or liquids in the vicinity of this or any other appliance.

**WARNING:** The log set is shipped from the factory adjusted for natural gas use only. Liquid Propane can only be used after installation of Liquid Propane Conversion Safety Pilot Kit.

**CARBON MONOXIDE POISONING:** Early signs of carbon monoxide poisoning resemble the flu with headaches, dizziness, or nausea. If you have these signs, the log set may not be working properly. Get fresh air immediately! Have log set serviced. Some people are more affected by carbon monoxide than others. These include pregnant women, people with heart or lung disease, people who are anemic, those under the influence of alcohol, and those living in high altitudes.

**NATURAL AND PROPANE/LP GAS:** Natural and Propane/LP gases are odorless. An odor-making agent is added to the gas. The odor helps you detect a gas leak. However, the odor added to the gas can fade. Gas may be present even though no odor exists. Make certain you read and understand all warnings. Keep this manual for reference. It is your guide to operating this log set safely.

### WARNING:

- Due to high temperatures, locate this appliance out of traffic and away from furniture and draperies.
- Log set becomes very hot when operating. Keep children and adults away from hot surfaces to avoid burns or clothing ignition. Log set will remain hot for a time after shut-off. Allow surfaces to cool before touching.
- Carefully supervise young children when they are in the room with the log set.
- Do not place clothing or other flammable material on or near the appliance. Never place any objects in the log set.
- Installation and repair should be done by a qualified service person. The appliance should be inspected before use and at least annually by a professional service person. More frequent cleaning may be required due to excessive lint from carpeting, bedding material, etc. It is imperative that control compartments, burners and circulating air passageways of the appliance be kept clean.
- Any change to this log set or its controls can be dangerous.
- DO NOT OPERATE THIS GAS LOG SET WITH GLASS DOORS CLOSED.
- Do not use any accessories not approved for use with this log set.
- Keep the appliance area clear and free from combustible materials, gasoline, and other flammable vapors and liquids.

### WARNING

This product and the fuels used to operate this product (liquid propane or natural gas), and the products of combustion of such fuels, can expose you to chemicals including benzene, which is known to the State of California to cause cancer and reproductive harm.

For more information go to [www.p65Warnings.ca.gov](http://www.p65Warnings.ca.gov)

## SAFETY INFORMATION

---

1. This appliance is only for use with the type of gas indicated on the rating plate.
2. Do not place propane/LP supply tank(s) inside any structure. Locate propane/LP supply tank(s) outdoors.
3. If you smell gas
  - shut off gas supply
  - do not try to light any appliance
  - do not touch any electrical switch; do not use any phone in your building
  - immediately call your gas supplier from a neighbor's phone. Follow the gas supplier's instructions
  - if you cannot reach your gas supplier, call the fire department
4. This log set shall not be installed in a bedroom or bathroom.
5. Do not use this log set as a wood-burning log set. Use only the logs provided with the log set.
6. Do not add extra logs or ornaments such as pine cones, vermiculite or rock wool. Using these added items can cause sooting.
7. This log set is designed to be smokeless. If logs ever appear to smoke, turn off log set and call a qualified service person. Note: During initial operation, slight smoking could occur due to log curing and log set burning manufacturing residues.
8. To prevent the creation of soot, follow the instructions in Cleaning and Maintenance, page 17-18.
9. Before using furniture polish, wax, carpet cleaner or similar products, turn log set off. If heated, the vapors from these products may create a white powder residue within burner box or on adjacent walls or furniture.
10. This log set needs fresh air ventilation to run properly.
11. Do not run log set
  - where flammable liquids or vapors are used or stored.
  - under dusty conditions.
12. Do not use this log set to cook food or burn paper or other objects.
13. Never place any objects in the fireplace or the logs.
14. Do not use log set if any part has been under water. Immediately call a qualified service technician to inspect the log set and to replace any part of the control system and any gas control which has been under water.
15. Turn off and unplug log set and let cool before servicing. Only a qualified service person should service and repair log set.

---

---

### QUALIFIED INSTALLING AGENCY

---

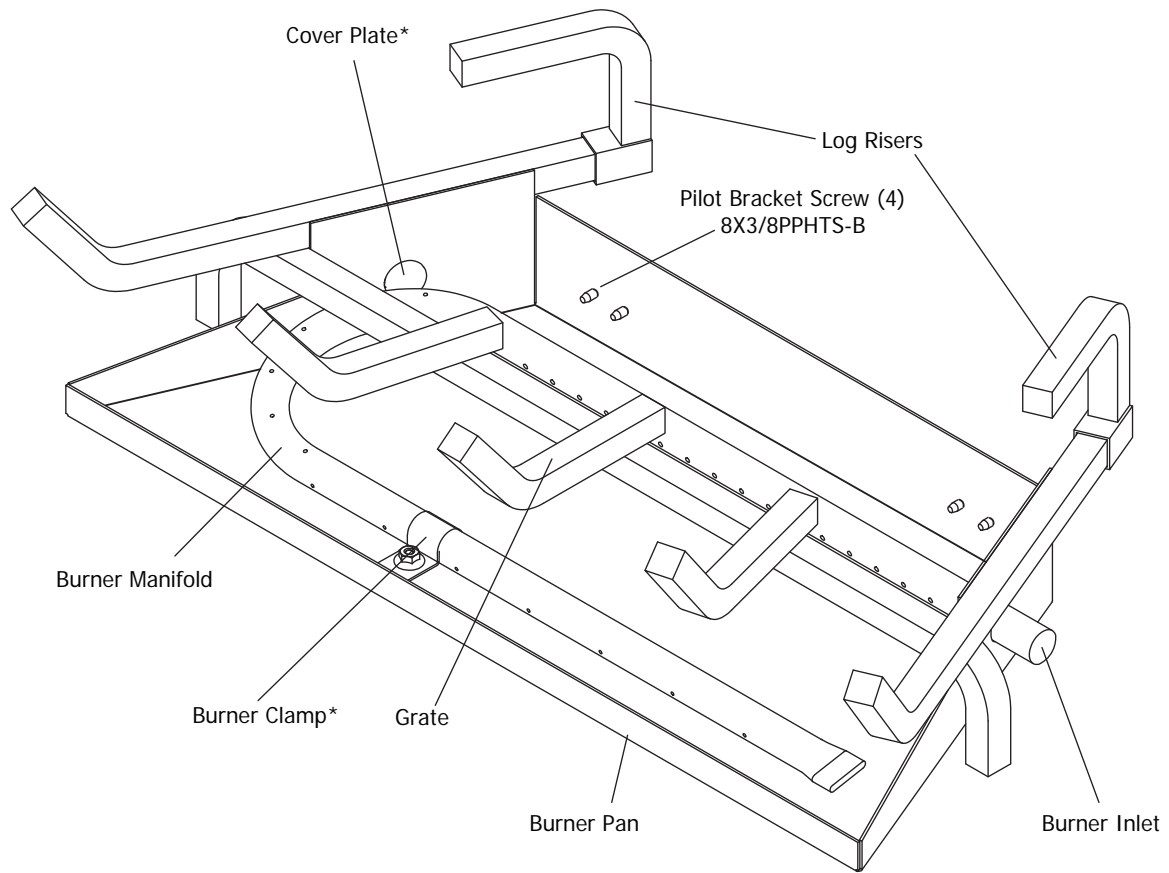
---

Only a qualified agency should install and replace gas piping, gas utilization equipment or accessories, and repair and equipment servicing. The term "qualified agency" means any individual, firm, corporation, or company that either in person or through a representative is engaged in and is responsible for:

- a) Installing, testing, or replacing gas piping or
- b) Connecting, installing, testing, repairing, or servicing equipment; that is experienced in such work; that is familiar with all precautions required; and that has complied with all the requirements of the authority having jurisdiction.

# PRODUCT IDENTIFICATION

---



\*Uses (4) 8X3/8PPHTS-B Screws

## PRODUCT FEATURES

The State of Massachusetts requires that the chimney flue damper, when used with decorative gas log sets, be welded open or completely removed. In the State of Massachusetts, this appliance must be installed by a licensed plumber or gasfitter.

**In the State of Massachusetts the gas cock must be a T-handle type. The State of Massachusetts requires that a flexible appliance connector cannot exceed three feet in length.**

## LOCAL CODES

Install and use log set with care. Follow all codes. In the absence of local codes, use the latest edition of The National Fuel Gas Code, ANSI Z223.1, also known as NFPA 54\*.

\*Available from:

American National Standard Institute, Inc.  
1430 Broadway  
New York, NY 10018

National Fire Protection Association, Inc.  
1 Batterymarch Park  
Quincy, MA 02269-9101

## UNPACKING

**CAUTION:** Do not remove the metal data plates from the burner pan. The data plates contain important product information.

1. Remove logs, pan materials, and hardware from carton.
2. Remove all protective packaging applied to logs and base for shipment.
3. Check all items for any shipping damage. If damaged, promptly inform GHP Group, Inc. at 1-877-447-4768.

**Fig. 1**

For Masonry Built  
Fireplaces Free Opening  
Area Of Chimney Damper

	Log Set Size		
	18"	24"	30"
Chimney Height* (ft)	Minimum Opening** (sq. in.)		
6	41.7	49.2	56.6
8	38.7	45.5	52.4
10	35.2	41.7	48.2
15	32.0	37.7	43.2
20	28.8	34.3	39.8
30	26.5	31.2	35.9

\* Height is from hearth to top of chimney and the minimum height is 6 feet.

\*\* Chart shows minimum opening (sq. in.) for a given height and input rate.

For Factory Built  
Fireplaces Free Opening  
Area Of Chimney Damper

	Log Set Size		
	18"	24"	30"
Chimney Height* (ft)	Minimum Opening** (sq. in.)		
10	28.3	35.3	44.2
15	21.2	26.4	32.2
20	18.1	22.1	26.4
25	15.9	18.1	22.1
30	14.5	17.3	20.4
35	13.2	15.9	18.9
40	12.6	15.2	18.1

\* Height is from hearth to top of chimney and the minimum height is 10 feet.

\*\* Chart shows minimum opening (sq. in.) for a given height and input rate.

## OPERATION

### FOR YOUR SAFETY READ BEFORE LIGHTING



**WARNING:** If you do not follow these instructions exactly, a fire or explosion may result causing property damage, personal injury or loss of life.

- A. This appliance requires ignition by match lighting. When lighting the appliance, follow these instructions exactly.
- B. **BEFORE LIGHTING** smell all around the appliance area for gas. Be sure to smell next to the floor because some gas is heavier than air and will settle on the floor.
- WHAT TO DO IF YOU SMELL GAS**
- Do not try to light any appliance.
  - Do not touch any electrical switch; do not use any phone in your building.
  - Immediately call your gas supplier from a neighbor's phone. Follow the gas supplier's instructions.
  - If you cannot reach your gas supplier, call the fire department
- C. Use only your hand to push in or turn the gas control knob. Never use tools. If the knob will not push in or turn by hand, don't try to repair it, call a qualified service technician. Forced or attempted repair may result in fire or explosion.
- D. Do not use this appliance if any part has been under water. Immediately call a qualified service technician to inspect the appliance and to replace any part of the control system and any gas control which has been under water.
- E. Solid fuels shall not be burned in a fireplace where a decorative appliance is installed.
- F. A fireplace screen must be in place when the appliance is operating and, unless other provisions for combustion air are provided, the screen shall have an opening(s) for introduction of combustion air.



**IMPORTANT:** This gas log set requires curing the first time that they are put into operation. You must complete the following instructions for curing to avoid cracking the logs with continued use.

During the 3 hour "curing period" of the appliance, you may detect an odor from the appliance. Do not be alarmed, this is a temporary and normal situation, which indicates the various compounds and paints being used in the log set are curing. Optionally, additional ventilation to the room during this "curing period" may be something to consider.

Proper curing of the logs should go as follows:

- 1) Ignite a 2" flame. Maintain for 1 hour
- 2) Let the logs cool down for 30 minutes
- 3) Ignite the appliance again, but with the flame 2" higher than the last time. Maintain for 1 hour
- 4) Repeat steps 2-3 until flame reaches maximum height, and for a total of 3 hours.



## OPERATION

### LIGHTING INSTRUCTIONS - MATCH LIGHT UNITS

1. STOP! Read the safety information as noted above.

**⚠ WARNING:** BE SURE THAT THE CHIMNEY DAMPER IS FULLY OPEN.

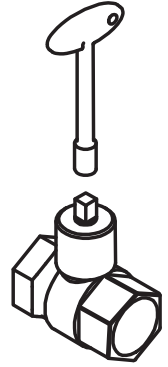
2. Read all warnings and safety information in this manual.

3. Turn keyed shutoff valve to the "OFF" position (see Figure 30).

4. Wait five (5) minutes to clear out any gas. If you smell gas, STOP! Follow the safety instructions on the previous page named "WHAT TO DO IF YOU SMELL GAS". If you do not smell gas, continue onto the next step.

5. Place a burning match on the surface of the burner embers. Do not hold match in hand.

6. Slowly turn keyed shutoff valve ON. The gas should ignite in five (5) seconds. If there is no ignition within ten seconds of laying the match down, set keyed shutoff valve to OFF and repeat steps 1-5 again.



**Fig. 30 - Keyed  
Shut-Off Valve -  
"OFF" Position**

**⚠ WARNING:** The fireplace screen must be in place when the appliance is operating and, unless other provisions for combustion are provided, the screen shall have an opening(s) for introduction of combustion air.

**⚠ WARNING:** Any glass doors shall be completely opened while appliance is in operation.

### TO TURN OFF GAS TO APPLIANCE

1. Gently turn the keyed shutoff valve to the "OFF" position. (See Figure 30).

## CARE AND MAINTENANCE

---

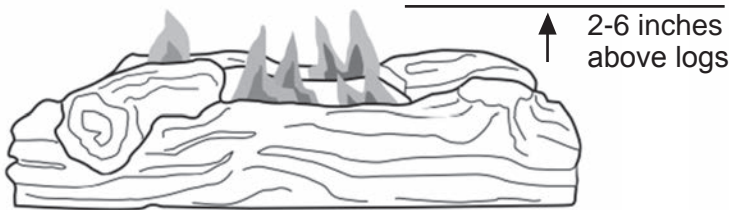
### BURNER FLAME PATTERN

Figure 31 shows a correct burner flame pattern. Figure 32 shows an incorrect burner flame pattern. The incorrect burner flame pattern shows sporadic, irregular flame tipping. The flame should not be dark or have an orange/reddish tinge.

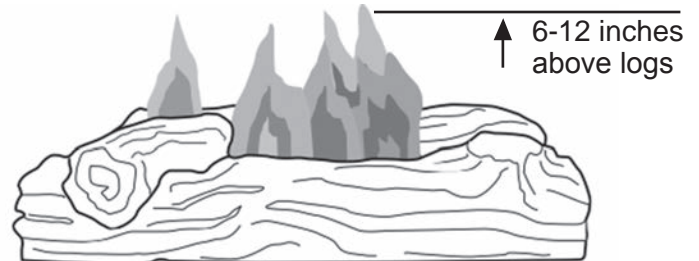
Note: When using the log set the first time, the flame will be orange for approximately one hour until the log cures.

If burner flame pattern is incorrect, as shown in Figure 32.

- turn log set off (see To Turn Off Gas to Appliance, page 16).
- see Troubleshooting, page 19.



**Fig. 31 - Correct/Normal Flame Pattern with short flames**



**Fig. 32 - Incorrect/Abnormal Flame Pattern with tall flames**

**⚠ WARNING:** Turn off log set and let cool before servicing.

**⚠ CAUTION:** You must keep control areas, burner, and circulating air passageways of log set clean. Inspect these areas of log set before each use. Have log set inspected yearly by a qualified service person. Log set may need more frequent cleaning due to excessive lint from carpeting, bedding material, pet hair, etc.

**⚠ WARNING:** Failure to keep the primary air opening(s) of the burner(s) clean may result in sooting and property damage.

### BURNER ORIFICE HOLDER AND PILOT AIR INLET HOLE

The primary air inlet holes allow the proper amount of air to mix with the gas. This provides a clean burning flame. Keep these holes clear of dust, dirt, lint and pet hair. Clean these air inlet holes prior to each heating season. Blocked air holes will create soot. We recommend that you clean the unit every three months during operation and have log set inspected yearly by a qualified service person.

We also recommend that you keep the burner tube and pilot assembly clean and free of dust and dirt. To clean these parts we recommend using compressed air no greater than 30 PSI. Your local computer store, hardware store or home center may carry compressed air in a can. If using compressed air in a can, please follow the directions on the can. If you don't follow directions on the can, you could damage the pilot assembly.

Periodic examination and cleaning of the venting system and the solid fuel-burning fireplace, including frequency of such examination and cleaning, must be done by a qualified agency.

## CARE AND MAINTENANCE

---

- Keep the area around the log set clean and clear of debris.
- Once every year a qualified agency or certified chimney sweep should examine and clean the venting system of the fireplace.

At the beginning of each season, the system should be checked as follows:

1. Check the chimney flue/vent pipe to ensure that the flue is drawing properly. This will also check if any vent pipe connections are tight.
2. Check to see that the chimney/vent termination have no blockages.
3. Check the chimney and/or vents for creosote and soot build-up and clean if necessary.
4. Inspect the burners and pilot (if applicable).

The burner system has been previously adjusted for proper operation at the factory. No adjustment is necessary, other than pilot flame or altitude de-rate.

## SOOTING & CLEANING LOGS

Occasional sooting of your log set is common, adding to the appearance of real burned wood. If excessive sooting is occurring and accumulates, the logs can be cleaned using either of the following options:

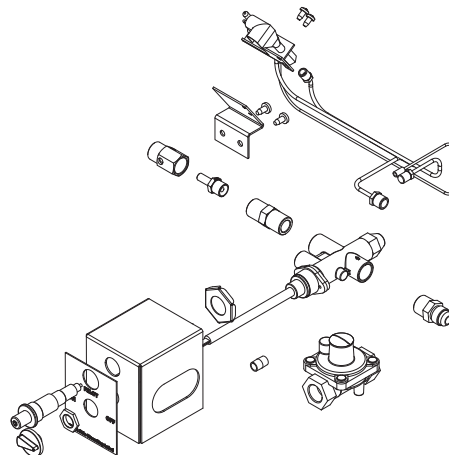
- A. Spray the logs with clean water while they are burning and hot. The soot will burn and lift off.
- B. Brush the soot off with a stiff brush while the logs are cool. While using a brush, do not use water or soot cleaners.

## ACCESSORIES

Purchase these fireplace accessories from your local dealer. If they can not supply these accessories, contact customer service department for information.

Note: Moisture may cause the granules and Glowing Embers in your burner pan to settle. To return the flame to the original condition and improve the burn, follow these tips.

- a. Settling of sand (or vermiculite) - Using a screwdriver or flat-blade knife, carefully stir the granules, loosening the material. Clear up any spills.
- b. Embers - Break up any clumps (where used) - Inspect control and pilot to be sure it is free of dirt or debris.



### VMC100 - VERMICULITE

Helps spread gas evenly throughout the burner pan for a more full flame pattern. Also, doubles as an ash bed.

### LVR100 - LAVA ROCK

Enhances depth and realism by creating a realistic rock bed for vented or vent-free gas logs. Use as a replacement or first-time use.

### SPK100 - Safety Pilot/LP Conversion Kit

Required for propane/LP installation.

### GEF100 - GLOWING EMBER FIBERS

Adds realism to gas logs by providing the same effect as a glowing bed of ashes found in a wood-burning fire.

## TROUBLESHOOTING

**⚠ WARNING:** If you smell gas:

- Shut off gas supply.
- Do not try to light any appliance.
- Do not touch any electrical switch; do not use any phone in your building.
- Immediately call your gas supplier from a neighbor's phone. Follow the gas supplier's instructions.
- If you cannot reach your gas supplier, call the fire department.

**IMPORTANT:** Operating log set where impurities in air exist may create odors. Cleaning supplies, paint, paint remover, cigarette smoke, cements and glues, new carpet or textiles, etc., create fumes. These fumes may mix with combustion air and create odors.

**⚠ WARNING:** Turn off and let cool before servicing. Only a qualified service person should service and repair log set.

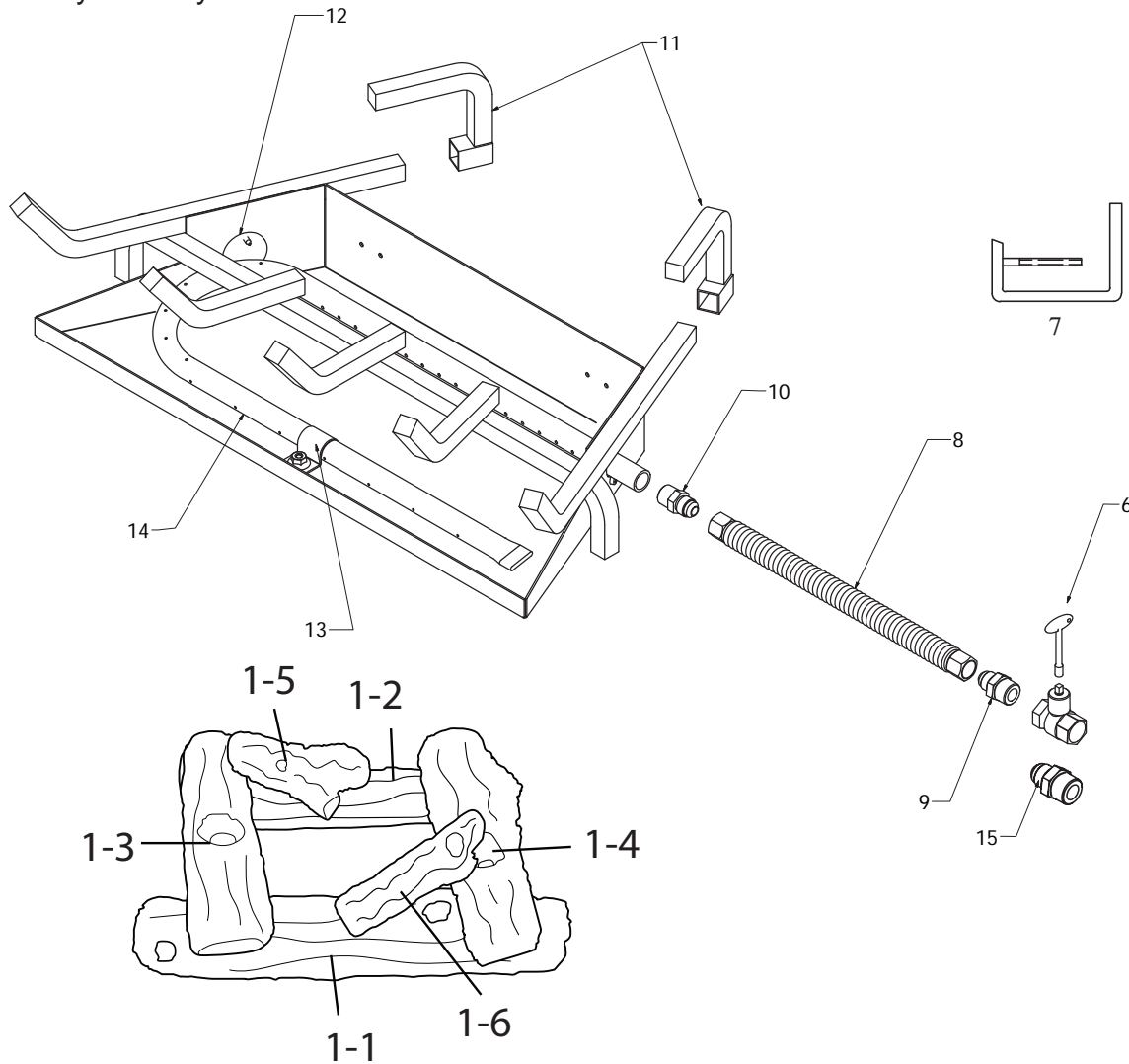
PROBLEM	POSSIBLE CAUSE	CORRECTIVE ACTION
<p>Log set is smoking/sooting excessively</p> <p>Note: It is natural and unavoidable for vented gas log sets to produce moderate levels of carbon(soot) where flames contact the logs.</p>	<ol style="list-style-type: none"> <li>1. Poor fuel quality.</li> <li>2. Fireplace venting system not drafting properly.</li> <li>3. Excessive flame impingement or blockage.</li> <li>4. Improper fuel/air mixture.</li> <li>5. Excessive gas supply/ pressure.</li> <li>6. Damper closed or not open sufficiently.</li> </ol>	<ol style="list-style-type: none"> <li>1. Contact local natural gas company.</li> <li>2. Adjust damper wide open and/or have fireplace and venting professional cleaned and checked.</li> <li>3. Separate the logs to allow more flame passage.</li> <li>4. Remove any foreign items from the flame pattern.</li> <li>5. Preheat flue in very cold weather</li> <li>6. Open the damper fully when operating the gas log set.</li> </ol>
<p>Burner is excessively noisy. Note: The movement and combustion of gas will create low, unavoidable levels of noise.</p>	<ol style="list-style-type: none"> <li>1. Passage of air/gas across irregular surfaces.</li> </ol>	<ol style="list-style-type: none"> <li>1. Relieve any tight bends or kinks in gas supply line.</li> </ol>
<p>Burner flame is too low or too high.</p>	<ol style="list-style-type: none"> <li>1. Incorrect gas supply or pressure.</li> <li>2. Blocked burner orifice or burner manifold ports.</li> <li>3. Improper burner orifice size.</li> <li>4. Valve not operating properly.</li> <li>5. High Altitude.</li> </ol>	<ol style="list-style-type: none"> <li>1. Check for proper gas supply pressure.</li> <li>2. Free burner orifice and manifold ports of any burrs, paint, or other blockage.</li> <li>3. Verify proper burner orifice sizing.</li> <li>4. Replace Valve.</li> <li>5. Adjust orifice size for altitude.</li> </ol>

## TROUBLESHOOTING

PROBLEM	POSSIBLE CAUSE	CORRECTIVE ACTION
Log set produces a clicking/ticking noise just after burner is lit or shut off.	1. Metal expanding while heating or contracting while cooling.	1. This is common with most log sets. If noise is excessive, contact qualified service person.
Log set produces unwanted odors.	1. Log Set burning vapors from paint, hair spray, glues, cleaners, chemicals, new carpet, etc. (See IMPORTANT statement page 19). 2. Gas leak. See Warning statement page 19.	1. Open flue to maximum. Stop using odor causing products while log set is running.  2. Locate and correct all leaks (see Checking Gas Connections, page 10).
Gas odor even when control knob is in OFF position.	1. Gas leak. See Warning statement page 19. 2. Control valve defective.	1. Locate and correct all leaks (see Checking Gas Connections, page 10). 2. Replace control valve.
Gas odor during combustion.	1. Gas leak. See Warning statement at top of page 19.	1. Locate and correct all leaks (see Checking Gas Connections, page 10).
Whistle noise when burner is on.	1. Air in gas line. 2. Control knob not in fully open position. 3. Spiral gas flex line.	1. Bleed gas lines. 2. Turn control to full Open position.  3. Replace gas supply line.

# REPLACEMENT PARTS

For replacement parts, call our Technical Service Department at 1-877-447-4768, 8:30 a.m. –4:30 p.m., CST, Monday – Friday.

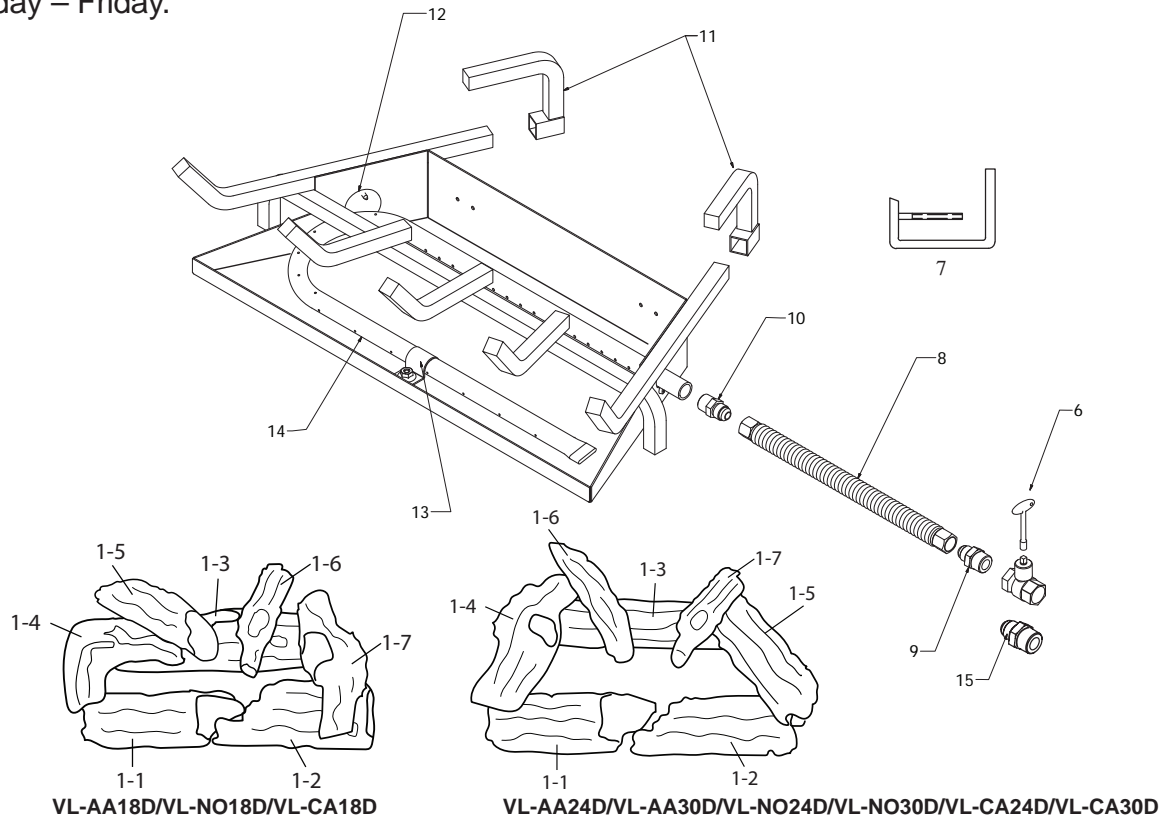


**VL-WO18D / VL-WO24D / VL-WO30D**

ITEM No.	DESCRIPTION	QTY	VL-WO18D	PART NO. VL-WO24D	VL-WO30D
1	Log Set (Complete)	1	80-06-27	80-06-28	80-06-29
1-1	Log 1	1	H-0063	H-0068	H-0071
1-2	Log 2	1	H-0064	H-0069	H-0070
1-3	Log 3	1	H-0061	H-0066	H-0066
1-4	Log 4	1	H-0062	H-0067	H-0067
1-5	Log 5	1	H-0060	H-0065	H-0065
1-6	Log 6	1	H-0059	H-0059	H-0059
1-7	Log 7	1	NA	NA	NA
6	Shut-Off Valve	1	80-06-30	80-06-30	80-06-30
7	Damper Clamp	1	80-06-031	80-06-031	80-06-031
8	12" Flex Line	1	80-06-032	80-06-032	80-06-032
9	3/8" Flare x 1/2" MIP Connector	1	80-05-104	80-05-104	80-05-104
10	3/8" orifice fittingr (NG)	1	80-06-034	80-06-034	80-06-034
11	Log Riser	2	80-06-035	80-06-035	80-06-035
12	Cover Plate	1	80-06-036	80-06-036	80-06-036
13	Burner tube Clamp	1	80-06-037	80-06-037	80-06-037
14	Burner tube	1	80-06-038	80-06-039	80-06-040
15	1/2" Female connector	1	80-06-033	80-06-033	80-06-033

## REPLACEMENT PARTS

For replacement parts, call our Technical Service Department at 1-877-447-4768, 8:30 a.m. –4:30 p.m., CST, Monday – Friday.



ITEM NO.	DESCRIPTION	QTY	PART NO.		
			VL-AA18D VL-NO18D VL-CA18D	VL-AA24D VL-NO24D VL-CA24D	VL-AA30D VL-NO30D VL-CA30D
1	Log Set (Complete)	1	80-06-047	80-06-048	80-06-049
1-1	Log 1	1	H-0519	H-0523	H-0531
1-2	Log 2	1	H-0532	H-0524	H-0524
1-3	Log 3	1	H-0520	H-0525	H-0502
1-4	Log 4	1	H-0522	H-0537	H-0537
1-5	Log 5	1	H-0456	H-0527	H-0527
1-6	Log 6	1	H-0362	H-0528	H-0528
1-7	Log 7	1	H-0537	H-0362	H-0362
6	Shut-Off Valve	1	80-06-030	80-06-030	80-06-030
7	Damper Clamp	1	80-06-031	80-06-031	80-06-031
8	12" Flex Line	1	80-06-032	80-06-032	80-06-032
9	3/8" Flare x 1/2" MIP Connector	1	80-05-104	80-05-104	80-05-104
10	3/8" orifice fitting (NG)	1	80-06-034	80-06-034	80-06-034
11	Log Riser	2	80-06-035	80-06-035	80-06-035
12	Cover Plate	1	80-06-036	80-06-036	80-06-036
13	Burner tube Clamp	1	80-06-037	80-06-037	80-06-037
14	Burner tube	1	80-06-038	80-06-039	80-06-040
15	1/2" Female connector	1	80-06-033	80-06-033	80-06-033