



SYMMONS® Dia™

Kitchen Faucet S-2660

Installation Brief



Model Numbers

S-2660..... Kitchen faucet
part number KN-328

Decorative Finishes

Append finish suffix code to replacement part numbers when applicable


- STN Satin Nickel
- Polished chrome (standard)

Tools & Materials



Need Help?

Contact Symmons customer service at
P: (800) 796-6667, F: (800) 961-9621
Email: gethelp@symmons.com
Monday - Friday 7:30 am - 7:00 pm EST

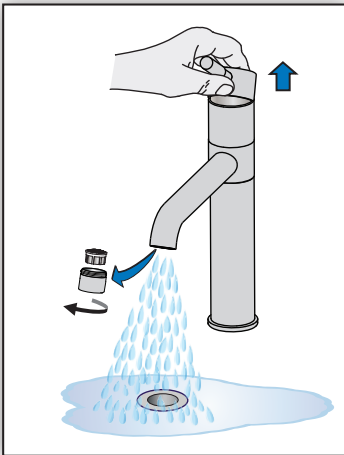
 Please check Symmons website for technical help, the latest product information and warranty policy.
www.symmons.com/service

For California Residents

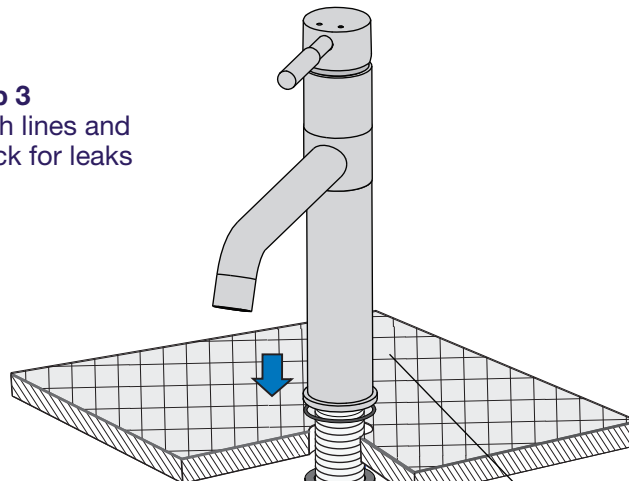
WARNING: This product contains chemicals known to the State of California to cause cancer, birth defects, or other reproductive harm.

Quick Install Guide Dia Kitchen Faucet, S-2660

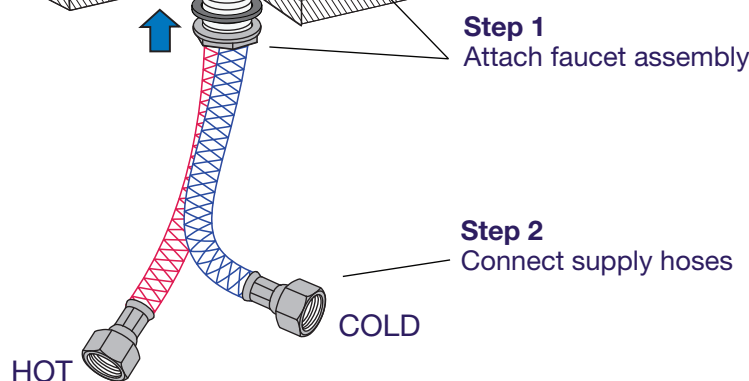
Faucet Part No. KN-328



Step 3
Flush lines and
check for leaks



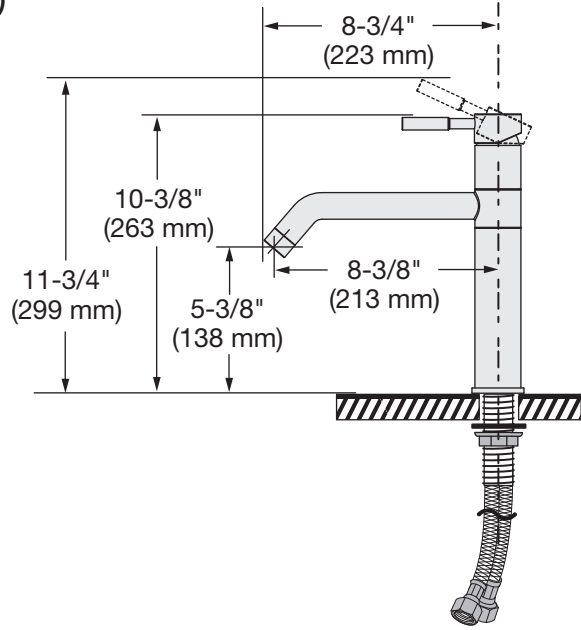
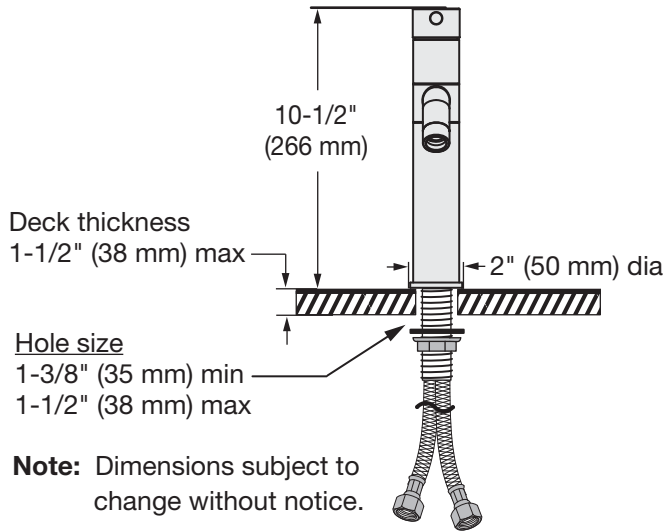
Step 1
Attach faucet assembly



Step 2
Connect supply hoses

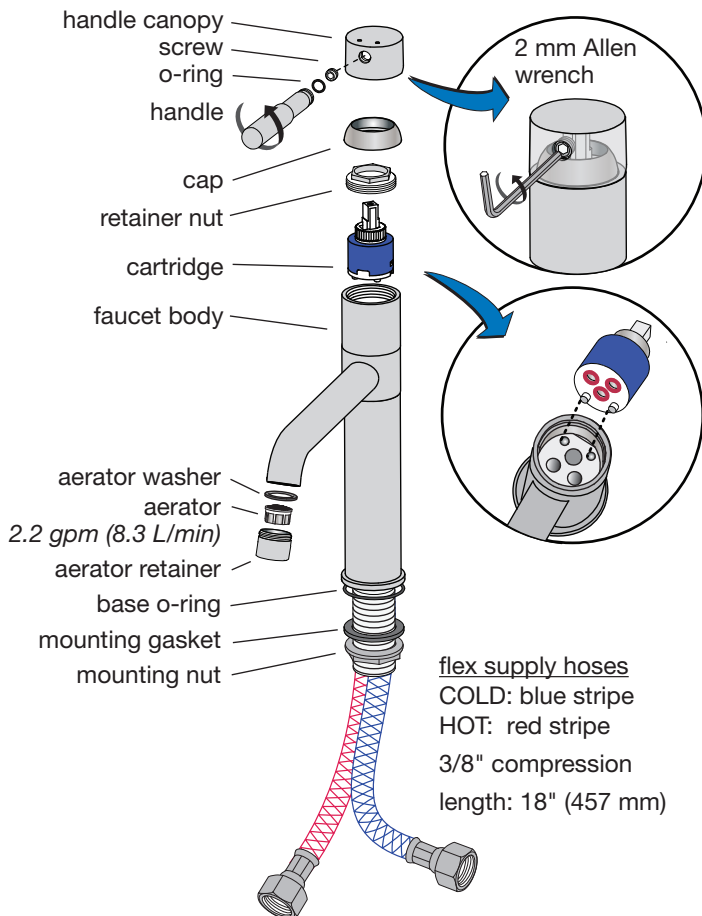
Dimensions Dia Kitchen Faucet, S-2660

Faucet Part No. KN-328






Parts Assembly Dia Kitchen Faucet, S-2660

Faucet Part No. KN-328



Replacement Parts

Part Number	Item
KN-4	Cartridge 
RK-023-2.2 RK-023-1.5 RK-023-1.0	Aerator washer & retainer  2.2 gpm (8.3 L/min) 1.5 gpm (5.7 L/min) 1.0 gpm (3.8 L/min)
KN-01473	Washer kit  • base o-ring • mounting gasket

Ordering replacement parts:

Call Symmons customer service at (800) 796-6667, M-F 7:30 am - 7:00 pm EST or check our website at www.symmons.com for a list of Symmons distributors.

* Note: For decorative finish faucets append the appropriate suffix code letters to part numbers marked with an asterisk (*)