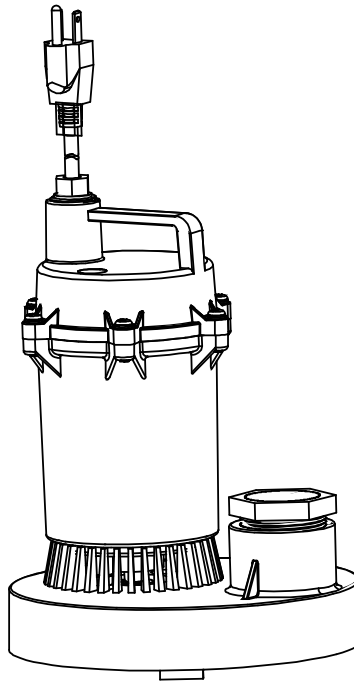


USE AND CARE GUIDE

ALL-IN-ONE PUMP KIT



Questions, problems, missing parts? Before returning to the store call
Everbilt Customer Service
8 a.m. - 6 p.m., EST, Monday-Friday

1-844-241-5521

HOMEDEPOT.COM

Rev. 05/20/17

THANK YOU

We appreciate the trust and confidence you have placed in Everbilt through the purchase of this submersible utility pump. We strive to continually create quality products designed to enhance your home. Visit us online to see our full line of products available for your home improvement needs. Thank you for choosing Everbilt!

Table of Contents

Table of Contents.....	2	Installation	5
Performance	2	Operation	6
Safety Information.....	2	Airlock	6
Warranty	3	Care and Cleaning	7
Pre-Installation	4	Troubleshooting	8

Performance

SKU	HP	GPH of Water @ Total Feet Of Lift					Max. Lift
		0 ft.	5 ft.	10 ft.	15 ft.	20 ft.	
1001094021	1/4	2520	2280	1980	1500	720	22 ft.

Safety Information



DANGER: Do not pump flammable or explosive liquids such as oil, gasoline, kerosene, ethanol, etc. Do not use in the presence of flammable or explosive vapors. Using this pump with or near flammable liquids can cause an explosion or fire, resulting in property damage, serious personal injury, and/or death.



DANGER: ALWAYS disconnect the power to the pump before servicing.



DANGER: Do not touch the motor housing during operation. The motor is designed to operate at high temperatures. Do not disassemble the motor housing.



DANGER: Do not handle the pump or pump motor with wet hands or when standing on a wet or damp surface, or in water before disconnect the power.



WARNING: Release all pressure and drain all water from the system before servicing any component.



WARNING: Secure the discharge line before starting the pump. An unsecured discharge line will whip, possibly causing personal injury, and/or property damage.



WARNING: Extension cords may not deliver sufficient voltage to the pump motor. Extension cords present a life threatening safety hazard if the insulation becomes damaged or the connection ends fall into water. We recommend the pump be plugged directly into an outlet.



WARNING: Wear safety goggles at all times when working with pumps.



WARNING: This unit is designed only for use on 115 volts (single phase), 60 Hz, and is equipped with an approved 3-conductor cord and 3-prong grounded plug. Do not remove the ground pin under any circumstances. The 3-prong plug must be directly inserted into a properly installed and grounded 3-prong, grounding-type receptacle. Do not use this pump with a 2-prong wall outlet. Replace the 2-prong outlet with a properly grounded 3-prong receptacle (a GFCI outlet) installed in accordance with the National Electrical Code and local codes and ordinances. All wiring should be performed by a qualified electrician.



WARNING: Protect the electrical cord from sharp objects, hot surfaces, oil, and chemicals. Avoid kinking the cord. Do not use damaged or worn cords.



WARNING: Failure to comply with the instruction and designed operation of this unit may void the warranty. ATTEMPTING TO USE ADAMAGED PUMP can result in property damage, serious personal injury, and/or death.



WARNING: Ensure that the electrical circuit to the pump is protected by a 15 Amp fuse or circuit breaker.



CAUTION: Do not lift the pump by the power cord.

Safety Information (continued)



CAUTION: Know the pump and its applications, limitations, and potential hazards.



CAUTION: Secure the pump to a solid base. This will aid in keeping the pump in a vertical orientation. This is critical in keeping the pump operating at maximum efficiency. It will also help prevent the pump from clogging resulting in premature failure.



CAUTION: Periodically inspect the pump and system components to ensure the pump suction screen is free of mud, sand, and debris. Disconnect the pump from the power supply before inspecting.



CAUTION: Follow all local electrical and safety codes, along with the National Electrical Code (NEC). In addition, all Occupational Safety and Health Administration (OSHA) guidelines must be followed.



IMPORTANT: The motor of this pump has a thermal protector that will trip if the motor becomes too hot. The protector will reset itself once the motor cools down and an acceptable temperature has been reached. The pump may start unexpectedly if it is plugged in.



IMPORTANT: Ensure the electrical power source is adequate for the requirements of the pump.



IMPORTANT: Before using the pump, check the hose for holes or excess wear, which could cause leaks, and ensure the hose is not kinked or making sharp angles. A straight hose allows the pump to move the greatest amount of water quickly, and also check that all hose connections are tight to minimize leaks.



IMPORTANT: This pump is made of high-strength, corrosion-resistant materials. It will provide trouble-free service for a long time when properly installed, maintained, and used. However, inadequate electrical power to the pump, dirt, or debris may cause the pump to fail. Please carefully read the manual and follow the instructions regarding common pump problems and remedies.

Warranty

The manufacturer warrants the products to be free from defects in materials and workmanship for a period of one year from date of purchase. This warranty applies only to the original consumer purchaser and only to products used in normal use and service. If within one year this product is found upon examination by the manufacturer to be defective in materials or workmanship, the manufacturer's only obligation, and your exclusive remedy, is the repair or replacement of the product at the manufacturer's discretion, provided that the product has not been damaged through misuse, abuse, accident, modifications, alterations, neglect or mishandling. Your original receipt of purchase is required to determine warranty eligibility.

The purchaser must pay all labor and shipping charges necessary to replace the product covered by this warranty.

This Limited Warranty does not cover products which have been damaged as a result of an accident, misuse, abuse, negligence, alteration, improper installation or maintenance, or failure to operate in accordance with the instructions supplied with the products, or operational failures caused by corrosion, rust, or other foreign materials in the system.

Requests for service under this warranty shall be made by returning the defective product to the manufacturer as soon as possible after the discovery of any alleged defect. The manufacturer will subsequently take corrective action as promptly as reasonably possible.

The manufacturer does not warrant and especially disclaims any warranty, whether express or implied, of fitness for a particular purpose, other than the warranty contained herein. This is the exclusive remedy and any liability for any and all indirect or consequential damages or expenses whatsoever is excluded.

Some states do not allow the exclusion or limitation of incidental or consequential damages or limitations on how long an implied warranty lasts, so the above limitations or exclusions may not apply to you. This warranty gives you specific legal rights and you may also have other rights which vary from state to state.

For Professional Technical Support call 1-844-241-5521 or visit HOMEDEPOT.COM.

For warranty registration please go to www.gppumpsus.com

Pre-Installation

APPLICATION

- This submersible utility pump is designed for water removal applications. Pump water only with this pump. It can drain or remove water from the following: pits, sinks, window wells, basements, boats, low spot in yards, or other flooded areas.
- This unit is not designed as a waterfall or fountain pump, or for applications involving salt water or brine! Use with waterfalls, fountains, salt water or brine will void the warranty.
- Do not use where water recirculates.
- Not designed for use as a swimming pool drainer.
- Do not use this pump in water with fish present .If any oil leaks out of the motor it can kill fish.

TOOLS REQUIRED

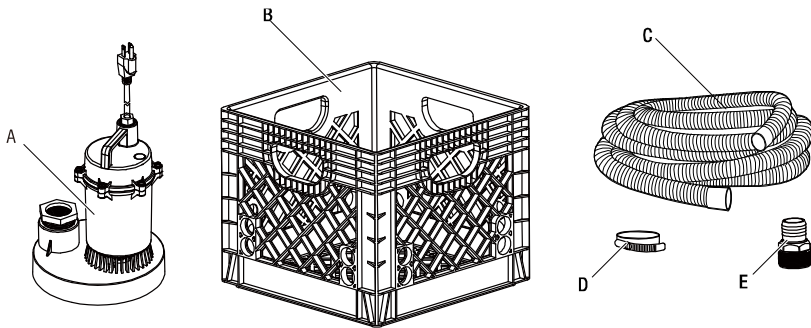


Flathead
Screwdriver



Phillips
Screwdriver

PACKAGE CONTENTS



Part	Description
A	Pump
B	Crate
C	Hose
D	Clamp
E	Adapter

SPECIFICATIONS

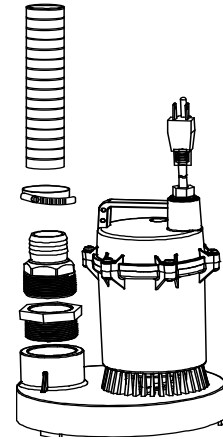
Power supply	115V, 60 HZ., 15 Amp Circuit
Liquid Temp. Range	32°F to 95°F(0°-35°C)
Operation Position	Vertical
Operating Depth(water level)	Beginning min: 1 in.
	Ending max: 1/8 in.

Installation

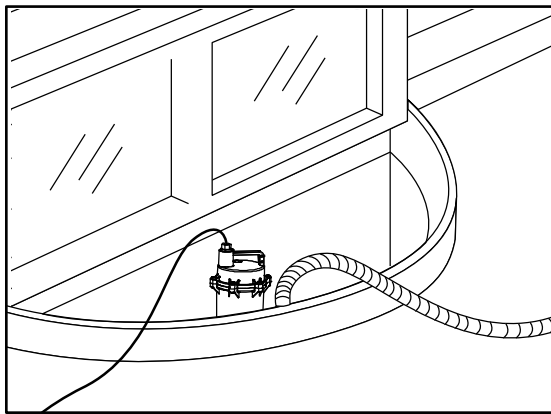
1. The pump should be located and should rest on a level solid foundation. Do not suspend the pump by means of a discharge pipe or power cord. Keep the pump inlet screen clear.
2. Attach a hose to the pump using an adaptor and a hose clamp.



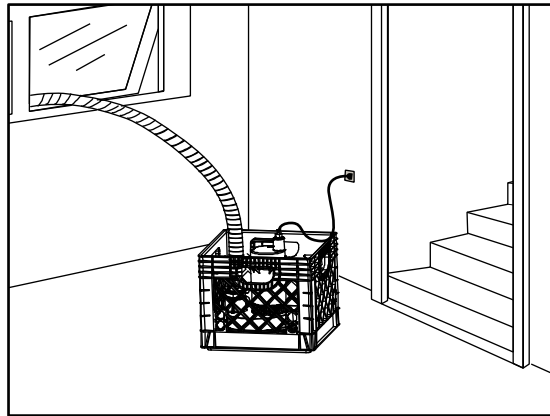
NOTE: To keep friction as low as possible, hose must be 3/4 in. or larger. Keep hose as short as possible.



3. Place the pump in water directly, route the discharge hose as picture. A. Alternately, place the pump in a crate, place the crate/pump in water, route the discharge hose as picture. B.



Picture A



Picture B

4. Power Supply: This pump is designed for 115V, 60 HZ. operation and requires an individual branch circuit of 15 amperes or more capacity. It is supplied with a 3-wire cord set with grounding-type plug for use in a 3-wire, grounded outlet. For safety, pump should always be electrically grounded to a suitable electrical ground such as a grounded water pipe or a properly grounded metallic raceway, or ground wire system. Do not cut off the round grounding prong.



WARNING: Risk of fire and explosion. Can cause severe injury, property damage or death. Do not use in explosive atmospheres. Pump water only with this pump.



WARNING: Risk of sudden starts. Can cause electrical shock and personal injury. The pump motor is equipped with automatic resetting thermal protector and may restart unexpectedly. Protector tripping is indication of motor overloading as a result of operating the pump at low heads (low discharge restriction), excessively high or low voltage, inadequate wiring, incorrect motor connections, or a defective motor or pump.

Operation



WARNING: Risk of electric shock. Can shock, burn or kill. Do not handle the pump or pump motor with wet hands or when standing on a wet or damp surface, or in water. Disconnect the power from the pump before handling, servicing, or attempting to repair the pump.

1. The pump must be standing in at least 1 in. (25.4mm) of water before starting it. The shaft seal is water lubricated and may be damaged if the pump runs dry.
2. After starting, the pump will lower the water level to 1/8 in. (3.2mm) before losing suction. It will not pick up water less than 1/8 in. deep when running and will not operate successfully if started in only 1/8 in. of water.
3. Do not leave the pump unattended! If the pump has been operating satisfactorily and the discharge stream suddenly stops coming out of the hose, stop the pump immediately; do not allow it to run dry. A mop or squeegee will be needed to remove remaining water.
4. The motor is equipped with an automatically resetting thermal overload protector. If the motor gets too hot, the overload protector will stop the motor before it is damaged. When the motor has cooled sufficiently, the overload protector will reset itself and the motor will restart.

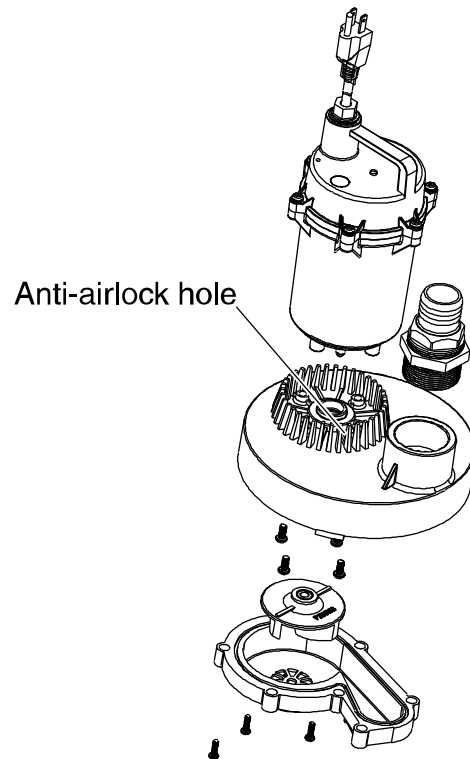


NOTE: If the overload protector stops the pump repeatedly, disconnect the power from the pump and check it to find the problem. Low voltage, long extension cords, clogged impeller, too much back pressure in the discharge hose (as when pumping through 50 ft. (15 M) of coiled hose), or running the pump with no load, can all cause excessive cycling and overheating.

5. Do not try to run the pump continuously when the water level is below 4 in. (102mm) or about 1/3 of the way up the motor casing, as it will overheat. If the motor overheats and the overload stops the pump, allow it to cool for one hour before restarting. Motor will not restart before the overload has cooled.

Airlock

When a pump airlocks, it runs but does not move any water. An airlock will cause the pump to overheat and fail. This pump has an anti-airlock hole in the bottom of the pump body. If you suspect an airlock, unplug the pump, clean out the anti-airlock hole with a paper clip or piece of wire, and restart the pump.



Care and Cleaning



CAUTION: Always use the handle to lift the pump. Never use the power cord to lift the pump. To avoid skin burns, unplug the pump and allow time for it to cool after periods of extended use.

Do

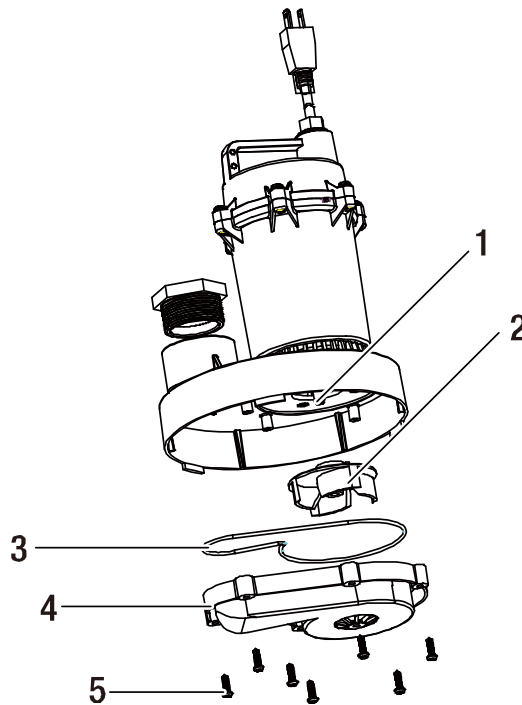
- When the power is disconnected, inspect the pump suction screen and remove all debris, then plug the pump back into the grounded (GFCI) outlet.

Do Not

- Do not disassemble the motor housing. This motor has NO repairable internal parts, and disassembly may cause leakage or dangerous electrical wiring issues.
- Do not lift up the pump by the power cord.

To clean a pump clogged with debris:

- Unplug the pump from electrical power.
- Unscrew the stainless screws (5), and remove the volute (4).
- Use a flathead screwdriver to hold the shaft (1), then turn the impeller (2) counterclockwise to release the impeller (2).
- Remove debris from around the shaft (1) and on/under the impeller (2).
- Reassemble the pump.



Troubleshooting

Problem	Possible Cause	Corrective Action
Motor runs but no water is discharged	Pump is air-locked	Lay pump down on its side and stand it upright while in the water to allow air to escape from and water into the impeller area.
	Be sure pump is actually running, not just humming	See section below called “Motor hums-pump not running”
	Discharge hose or pipe is blocked or too restrictive	Check hose/pipe for blockages. Check manual for maximum lengths of pipe/hose that pump can handle. Do not use a hose/pipe that is narrower than the discharge of the pump itself.
	Discharge hose/pipe goes up too high	Every pump has a maximum “head” capability, which is the highest it can lift water. Do not route discharge hose/pipe higher than the rating on Pg. 2.
	Impeller or other internal parts are worn, damaged, or clogged	Inspect the impeller and volute for wear or breakage. Repair or rebuild as needed. Check for clogs in the impeller screen and in the outlet riser (part that extends from volute to outlet).
	Check valve (if installed) is installed backwards	Check body of check valve for an arrow indicating flow direction, or markings of “in” and “out” or similar. Install in proper direction to allow water flow.
Motor just hums – pump not running	Pump is not receiving proper voltage	Plug pump directly into a power outlet. If it NEEDS to be plugged into an extension cord, make sure cord is heavy enough gauge (at least 16AWG) to handle the amp draw of the pump.
	Impeller is stuck or jammed with debris	Inspect the impeller area for any debris that may have entered. Remove as needed. Make sure impeller rotates freely.
	Motor is locked up	Check cooling shroud and/or vents in motor case for foreign objects or for shifting in the case. Remove objects and/or straighten the motor shroud.
	Motor has failed	If all items above check out OK, the motor has failed. Replace pump.
Motor does not run or make any noise at all	Pump is not getting any power	Check outlet where pump is plugged in. Make sure it has power. If no power check your home’s fuse or circuit breaker panel and repair as needed. Pump is not plugged in properly. Ensure pump’s plug is making good contact in outlet.
	Pump has overheated from continuous use	Most Everbilt utility pumps are not designed to run for extended periods of time. The pump has turned off to protect itself and user. Allow pump to cool before next use.
	Internal connection or motor has failed	If all items above check out OK, the motor has failed. Replace pump.
	The liquid temperatures below 30 degrees F or above 77 degrees F.	Do not operate pump in temperatures as indicated.

Troubleshooting (continued)

Problem	Possible Cause	Corrective Action
Pump runs and moves water but the quantity of water is less than it should be	Discharge hose is restrictive	If you are using a hose that is narrower than the pump discharge, or a long hose, the pump will not be able to discharge water at the rate for which it was designed. Use a shorter, fatter hose. Check hose for coils or kinks. Lay hose out straight for best performance
	Debris partially blocking intake area	Remove debris and ensure intake area is clear for optimum performance
	Discharge elevation too high	The higher the discharge hose goes, the less water the pump can move. For improved performance the hose should go up too high.
	Impeller or other internal parts are worn or damaged	Inspect the impeller, diffuser, and other internal parts for wear and damage. Repair as needed
There is some kind of oil around the pump and in the water	Standard submersible utility pump being used in a pond, waterfall, etc. It has overheated and expelled its dielectric oil.	Standard submersible utility pumps are not designed to run for long periods of time. For waterfall or pond use, or for any use where the pump must run for a long period, use a pump that is specifically labeled as a waterfall or pond pump.
	Standard submersible utility pump used in a fish pond	Fish waste in the water can attack the shaft seal. The seal has become damaged and the internal oil has come out. Use only waterfall type pumps in a fish pond.
	Submersible utility pump simply ran too long in shallow water and expelled its dielectric oil	A standard submersible utility pump is only cooled by the water surrounding it. If allowed to run too long in shallow water, the pump can overheat and expel its oil. Need to run the pump for shorter periods of time with "breaks" to allow for complete cool-down.
The impeller wears out quickly	Sand, dirt or other grit in the water is accelerating wear	All Everbilt utility pumps are designed to pump clear water. If there is dirt or grit in the water, the internal parts of the pump will wear at an accelerated rate.
	Some liquid other than water is being pumped	Many liquids have very little lubricating qualities. They will not lubricate the impeller properly and it will wear out faster. Everbilt utility pumps are all designed to pump clear fresh water.
Impeller is broken	Pump has picked up debris that caused the damage	Everbilt utility pumps use a thermoplastic impeller. Care must be used to try to keep debris from being drawn into the pump which will damage it



Questions, problems, missing parts? Before returning to the store call
Everbilt Customer Service
8 a.m. - 6 p.m., EST, Monday-Friday

1-844-241-5521

HOMEDEPOT.COM