



Hexagonal Sand Pit Assembly Instructions

Creative Cedar Designs

MODEL # 7118

Parts Identification:

6 X "A" Panels

9 X "B" Panels

6 X "C" Panels

30 X 1-1/2" Screws

1X Weed Suppressant Lining
(Ground Cover)

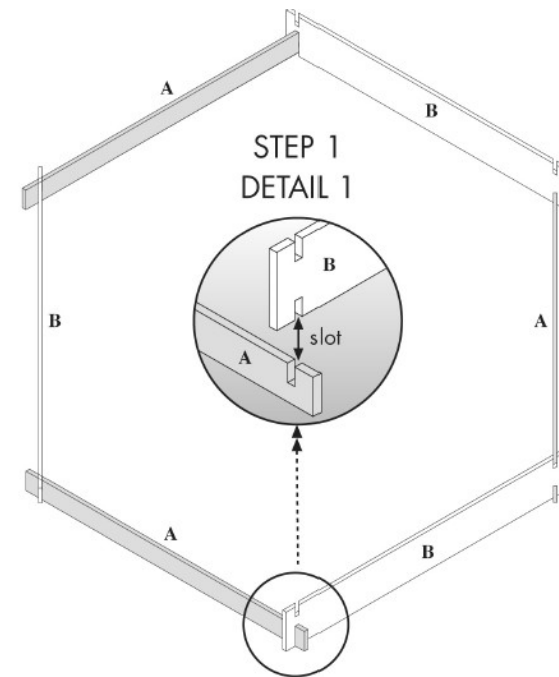
1X Polyethelene Top-Cover

Tools Required:

Phillips Screwdriver

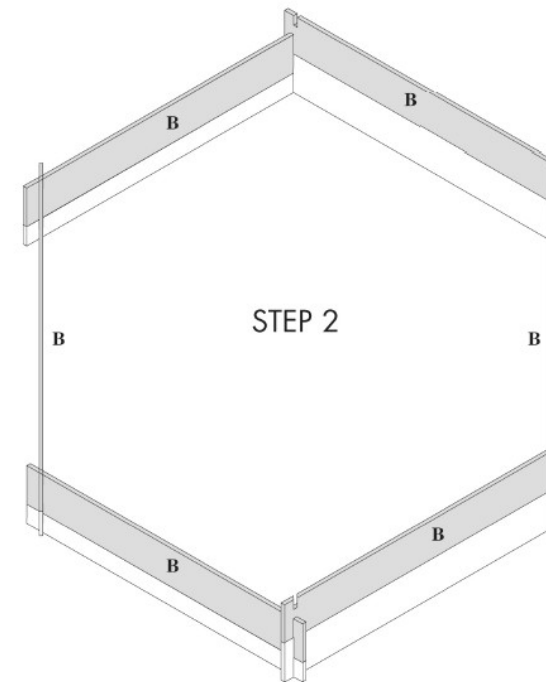
STEP:1

Slot three "B" panels into three "A" panels by sliding cut-outs into one another (Detail 1) and push down to secure firmly.



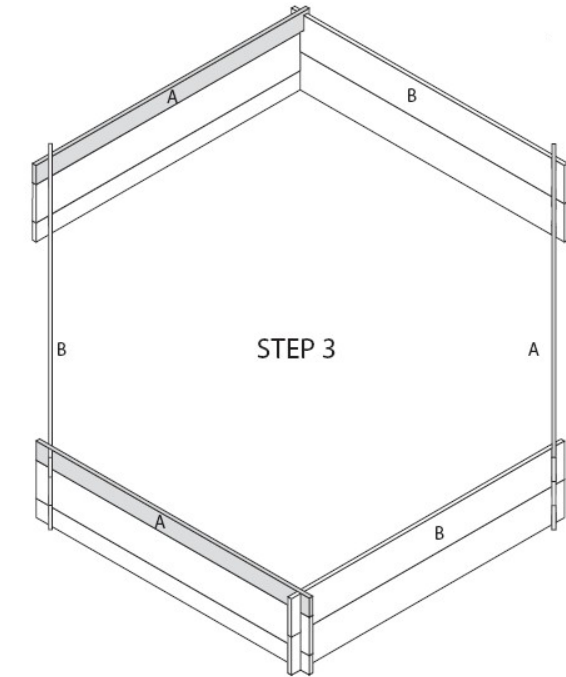
STEP:2

Continue building sides of sand pit using the six "B" panels as shown.



STEP:3

To complete the sides of the sandpit, slot the last three "A" panels into the three "B" panels as shown.



IF YOU HAVE ANY QUESTIONS OR ARE
MISSING A PART, PLEASE VISIT:
www.creativecedardesigns.com

Customer Service
1-888-363-4967
custservice@creativecedardesigns.com



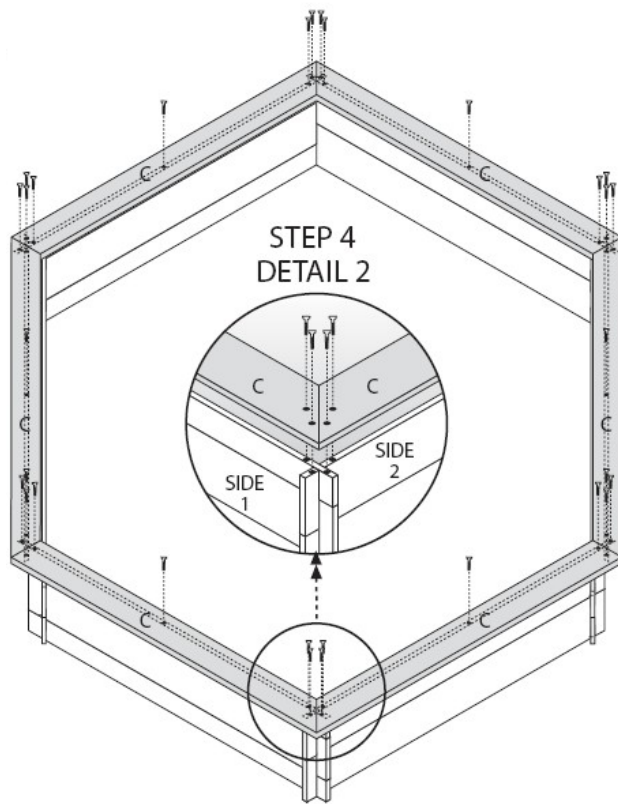
Creative Cedar Designs

Hexagonal Sand Pit Assembly Instructions

MODEL # 7118

STEP: 4

Screw seats "C" to sides through pre-drilled holes (Detail 2) using five 35mm screws per seat.



Warning!

- 1). Ensure Parts C are assembled together with no gaps; Entrapment Hazard.
- 2). Ensure screw heads are level with top surface of Part C; Protrusion & Sharp Edge Hazard

STEP: 5

Place sandpit on top of ground-cover on level ground. Trim excess to fit sandpit. Fill with sand.

WARNING: THIS PRODUCT IS FOR
ADULT ASSEMBLY ONLY.

PLEASE RETAIN INSTRUCTIONS FOR FUTURE
REFERENCE

FOR FAMILY OUTDOOR DOMESTIC USE ONLY

SUITABLE FOR AGE 18
MONTHS AND OVER.
ADULT SUPERVISION
RECOMMENDED AT ALL TIMES.

Keep your sandpit safe for the children

1. Always cover the sandpit when not in use, to prevent unwanted animals from playing in the sand.
2. Before covering your sandpit, place a large object in the center of the sand to prop up the cover. This will allow water to drain off the cover, and prevent any rain water from "pooling" in the center of the sandpit. This must be checked regularly.
3. Should any water still accumulate and form a pool, please ensure that this water is removed as standing water can pose a danger to children.
4. Regularly check sand for impurities and any other sharp objects that may cause harm to children.
5. Use washed playsand suitable for use in children's sandpits.

Limited Warranty

Our customer service department will review the claim and make contact with the customer by email or by phone. The customer will only pay for shipping and handling to and from factory if warranty is approved.

1-888-363-4967

**Monday thru Friday: 9am to 4pm
Eastern Standard Time**

CREATIVE CEDAR DESIGNS INC. insures to the original owner of our product, that the components of our set are free from defect in materials and will be warranted for one year from the date of purchase. All non-wood components will carry a one-year warranty only.

All defective parts that are discovered and reported in the first thirty days after purchase will be replaced at no charge to the registered customer. After thirty days of purchase shipping and handling charges for replacement warranty parts will be passed on to the consumer. All returned goods must be approved by our customer service department. Our customer service department can be reached at

1-888-363-4967.

IF YOU HAVE ANY QUESTIONS OR ARE
MISSING A PART, PLEASE VISIT:
www.creativecedardesigns.com