



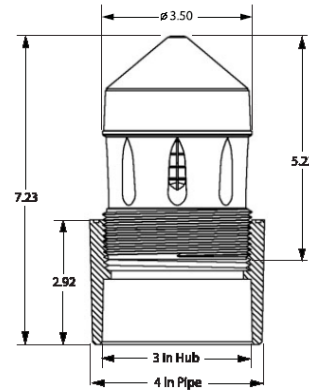
4700 W. 160th St.
Cleveland, OH 44135
PH:800-321-9532
FX:800-321-9535
www.oatey.com

TECHNICAL SPECIFICATION

**500 DFU SURE-VENT®
AIR ADMITTANCE VALVE WITH
SCHEDULE 40 ADAPTER**



TECHNICAL SPECIFICATION: The purpose of an Air Admittance Valve is to provide a method of allowing air to enter the plumbing drainage system without the use of a vent extended to open air and to prevent sewer gases from escaping into a building. An Air Admittance Valve is a one way valve designed to allow air to enter the plumbing drainage system when negative pressures develop in the piping system. The device shall close by gravity and seal the vent terminal at zero differential pressure (no flow conditions) and under positive internal pressures.



All dimensions in inches

Materials and Dimensions

- Valve – PVC with 3" NPT Threads
- Tension Membrane – Neoprene
- Adapter – 3" x 4" PVC or ABS

Features

- Rated 500 DFU's for venting DWV 4" and smaller
- Sweet Spot™ technology opens at -0.01 psi and seals at 0 psi and above
- Screening on air inlets to guard the seal
- Protective rubber sleeve provides grip for installation and keeps valve free from debris
- 100% functionally tested at 1/4" H₂O and 30" H₂O ensuring trouble free performance
- Limited Lifetime Warranty

Listings

- ASSE 1050 & 1051
- ICC ESR-1664
- NSF Standard 14
- IAPMO – Classified Mark
- ASTM D 2665/D 2661



Code Approvals

- International Plumbing Code (IPC) 2003
- International Residential Code (IRC) 2003

Installation:

Read installation instructions prior to use of this product. Always consult local plumbing codes prior to installing an AAV. Individual, branch and circuit vents are permitted to terminate with a connection to a Sure-Vent® AAV. The Sure-Vent® AAV will only vent fixtures that are on the same floor and connect to a horizontal branch drain. The horizontal branch drain shall connect to the drainage stack a maximum of four branch intervals from the top of the stack. The Sure-Vent® AAV should be located within the maximum developed length permitted for the vent. The Sure-Vent® AAV must be located a minimum of 4 inches above the horizontal branch drain and 6 inches above any insulation material and within 15 degrees of vertical. Every structure in which plumbing is installed shall have at least one primary stack vent. The stack vent should run as directly as possible from the building drain through to the open air.

Apply approved pipe joint compound or thread seal tape to the male threads of the valve. Remove protective orange rubber sleeve after installation.

Sure-Vent® AAV are intended for installation in the confines of a structure, cannot be exposed to outside elements and are intended for use between -40° F and 150° F. AAVs must be accessible for inspection and service.

✓	PRODUCT NUMBER	DESCRIPTION	PACK	CARTON WEIGHT
	39223	500 DFU AAV with 3" x 4" PVC Schedule 40 Adapter	6	5 lbs.
	39224	500 DFU AAV with 3" x 4" ABS Schedule 40 Adapter	6	5 lbs.

Data is subject to manufacturing tolerances.