

Model MS Super5E

Serial Number 9000000 and higher
MS Super 5E includes (2) MS Super 2E units

Mr.Steam Standard Features

- Stainless steel tank
- Industrial, large diameter, serviceable heating element
- Modular Plug and Play connections
- Electronic water-level-control system
- Full-port drain valve.
- Limited lifetime steam generator parts warranty

Safety Features

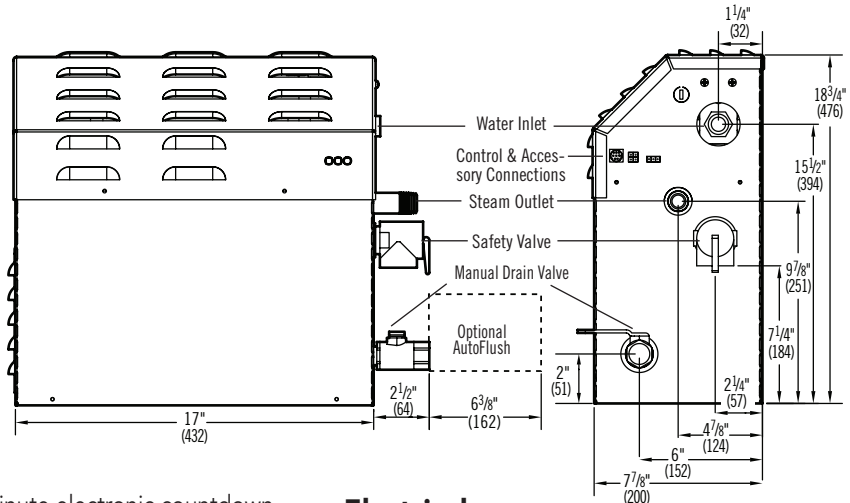
- Built-in, low-voltage 24-volt control
- ASME safety valve
- 60-minute electronic countdown shutdown with 75-minute limiting safety back-up

Locating and Installing the Steam Generator Unit

- Select a location as near as practical to the steam room, within 60 feet. Typical locations include: closet, vanity cabinet, heated attic or basement
- Do not install steambath generator inside the steam room.
- Do not install steambath generator outdoors or wherever environmental conditions may affect the safety and/or performance of the generator
- Do not install steambath generator or plumbing lines in unheated attic or any locations where water could freeze
- Do not install steambath generator near flammable or corrosive materials or chemicals or in areas having a high concentration of chlorine
- Install steambath generator on a solid and level surface or securely mounted to a wall using the key-hole slots provided.
- Install steambath generator in an upright position only
- Provide a minimum of (12) inches at both ends and top of the steam generator or as required for servicing
- Provide unions as required to facilitate installation and disconnection of the steam generator.

Required Plumbing

Steam Outlet (1/2" NPT) Safety Valve (3/4" NPT) Drain (1/2" NPT)
Steam Head (1/2" NPT) Water Supply (3/8" NPT)



Electrical

All electrical wiring to be installed by a qualified licensed electrician in accordance with National Electrical Code and local electrical code.

Power Wiring

1. Check power voltage. Use 240V rated unit when supply matches rating of unit before installation.
2. Use minimum 90° C/300V rated insulated copper conductors only, type THHN or equal sized in accordance with National Electrical Code and local electrical code for the Amps in Ampere Chart. If allowed by code, NM cable may require a larger wire size than as listed on the chart.
3. Connect suitably sized equipment grounding wire to ground terminal provided.
4. Install a separate circuit breaker between supply and unit. Provide a power supply disconnect within sight of the steam generator or one that is capable of being locked in the open position.

AMPERE CHART

MODEL NO.	MAX ROOM VOL. CU.FT.	KW	VOLTS 1 PH	TOTAL REQUIRED AMPS	WIRE SIZE (AWG)
MS Super5E*	1075	24	208 240	2x58=116 amps 2x50= 100 amps	6 6

FOR ILLUSTRATIVE PURPOSES ONLY. IMPORTANT NOTE: FOR SAFE AND TROUBLE FREE INSTALLATION visit mrsteam.com or scan the QR code before installation to download the Installation, Operation and Maintenance Manual or refer to the manual provided with the unit.



*MS Super 5E includes (2) MS Super 2E units

MODEL	VOLTAGE*	PHASE	OPTIONS	PROJECT INFORMATION	
MSSuper5E	<input type="checkbox"/> B=208	<input type="checkbox"/> 1-Single Phase	<input type="checkbox"/> Express Steam	Location:	Contractor:
	<input type="checkbox"/> C=240	<input type="checkbox"/> 3-Three Phase		Architect:	Submitted By:
	*Contact Mr. Steam for other voltages			Engineer:	Date:
Notes:					

Required Equipment: iSteam, or iSteamPlus Control

Optional Equipment: iGenie, AudioWizard, ChromaSteam, HomeWizard, Recessed Light, MS Light, MS Wallseat, AutoFlush, Drip Pan, AromaSteam, Chlorine Filter, FORM Shower Systems

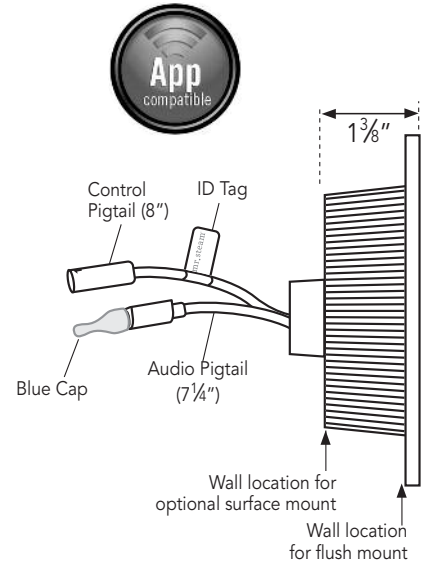
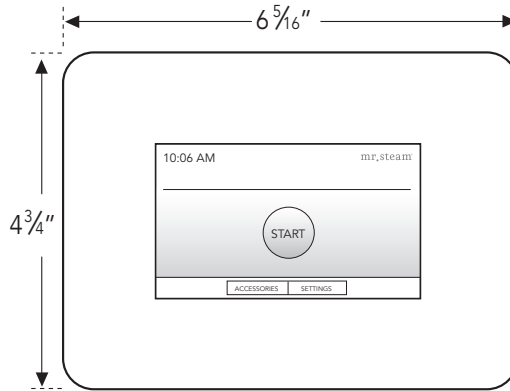


iSteam® 2.0 Control

Box Contents:

- iSteam® 2.0 Control
- Owner's Manual
- Control Cable (30 ft.)
- Rough-In Box
- Steamhead
- Optional Surface
- Tube of Silicone Sealant Mount Gasket

Dimensional Information



iSteam controls flush mount in the steam/shower enclosure through a 5-1/4" wide x 3-9/16" high hole. iSteam controls can also be surface mounted. They are suitable for use with an available iGenie® control. Available in black or white.

iSteam controls are suitable for use inside or outside the steam/shower enclosure, featuring:

- Full color LCD touch screen
- Programmable temperature
- Programmable time
- Two user presets
- AromaSteam, ChromaSteam® and AudioWizard™ controls
- Passcode to prevent unintentional use of steam bath
- Includes AromaSteam steam head in white or black
- Compatible with iGenie®
- Low voltage operation

Works with the iSteam® Mobile App to allow users to control steamroom operation from their local WiFi network.

The iSteam controls are designed to be installed inside or outside the steam room but is primarily installed inside the steam room. If the control is installed inside the steam room the control must be located:

- 4-5 feet above the floor
- In a location representative of the desired steam bathing temperatures near the bather seating area. Do not locate the control above or near the steam head or direct steam emissions.
- On a vertical wall

The control cable length is 30 feet. Insure that the control and/ or steam generator are located accordingly. An optional 60 ft. cable is available if required, PN 104117-60. If the control is installed outside the steam room a Remote Temperature Probe Part Number iMSTS must be installed inside the steam room.

FOR ILLUSTRATIVE PURPOSES ONLY. IMPORTANT NOTE: FOR SAFE AND TROUBLE FREE INSTALLATION

visit mrsteam.com or scan the QR code before installation to download the Installation, Operation and Maintenance Manual or refer to the manual provided with the unit.



MODEL	FINISH	PROJECT INFORMATION	
iSteam 2.0	<input type="checkbox"/> Black	Location:	Contractor:
	<input type="checkbox"/> White	Architect:	Submitted By:
		Engineer:	Date:
Notes:			

AutoFlush®

AutoFlush Shown Fully Assembled

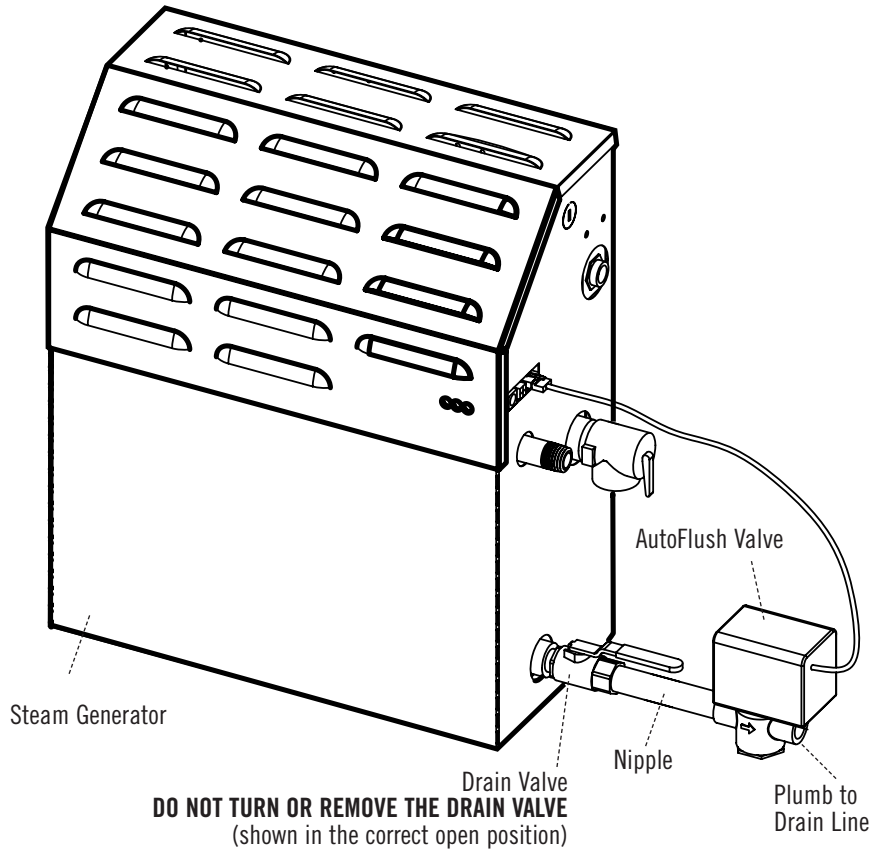
Box Contents

- AutoFlush Valve with Cord
- Installation instructions

Operation

The optional AutoFlush System feature automatically drains the Mr.Steam® system following each use. A time delay allows the water to cool down (about two hours) before it drains by gravity for a safe and gentle operation.

Note: If the Express Steam® option has been installed, the AutoFlush will drain for ten minutes then refill with fresh water to begin the pre-heat cycle.



Our exclusive AutoFlush® automatically and electronically drains the system, providing CleanSteam... Every Time® and introduces fresh water.

FOR ILLUSTRATIVE PURPOSES ONLY. IMPORTANT NOTE: FOR SAFE AND TROUBLE FREE INSTALLATION visit mrsteam.com or scan the QR code before installation to download the Installation, Operation and Maintenance Manual or refer to the manual provided with the unit.

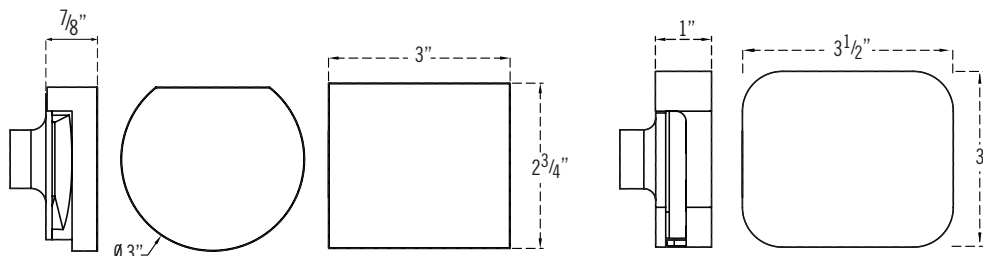


MODEL	PROJECT INFORMATION	
MS 81500E	Location:	Contractor:
	Architect:	Submitted By:
	Engineer:	Date:
Notes:		

AromaSteam Steamhead

ROUND 103937 / SQUARE 104040 / ISTEAM104104

- Even distribution of steam while remaining cool to the touch
- No field assembly required
- No moving parts
- Integrated aromatherapy oil well for in shower use



Installing the Round & Square Steamhead

STEAMHEAD INSTALLATION (1/2" NPT)

IMPORTANT: Do not disassemble steamhead. Mr.Steam's steam head is shipped fully assembled and requires no additional assembly.

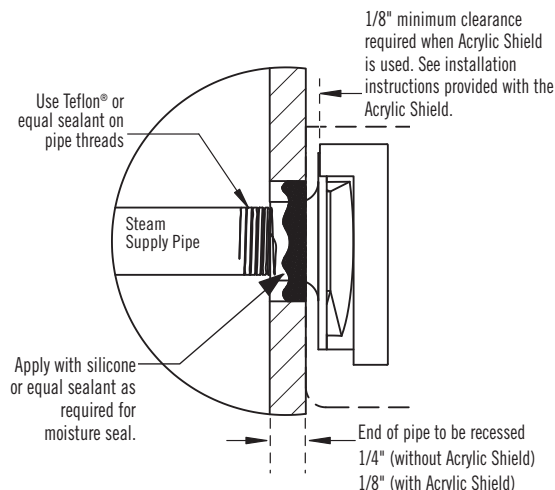
CAUTION Because the steamhead and direct steam emissions are very hot, locate the steamhead where incidental contact by bather with the steamhead or direct steam emission cannot occur.

NOTE: A 1.5" clearance hole around the steam pipe is needed to mount the steamhead.

Locate steamhead 6-12 inches above floor, except for:

- Tub/shower enclosures, install 6 inches above tub top edge.
- For enclosures with acrylic or other non-heat resistant flooring install Acrylic Shield Part Number 103938/10398SQ

IMPORTANT NOTE: To preserve steam head finish, do not use wrench or other tools to tighten. DO NOT use abrasive cleansers or chemicals. Use only water with mild soap and a non-abrasive sponge.



CAUTION Consult with supplier of acrylic, fiberglass and other non-heat resistant enclosures for recommended steamhead location. Use Acrylic Shield PN 103938 / 10398SQ. See instructions provided with steam shield. (An acrylic shield is not available for the iSteam steamhead.)

FOR ILLUSTRATIVE PURPOSES ONLY. IMPORTANT NOTE: FOR SAFE AND TROUBLE FREE INSTALLATION visit mrsteam.com or scan the QR code before installation to download the Installation, Operation and Maintenance Manual or refer to the manual provided with the unit.



MODEL	FINISH	PROJECT INFORMATION
<input type="checkbox"/> 103937-Round	<input type="checkbox"/> BB Brushed Bronze	Location:
<input type="checkbox"/> 104040-Square	<input type="checkbox"/> BN Brushed Nickel	Architect:
<input type="checkbox"/> 104104-iSteam*	<input type="checkbox"/> ORB Oil Rubbed Bronze	Engineer:
	<input type="checkbox"/> PB Polished Brass	Contractor:
	<input type="checkbox"/> PC Polished Chrome	Submitted By:
	<input type="checkbox"/> PN Polished Nickel	Date:
	<input type="checkbox"/> RAW Custom Plating	Notes:
	<input type="checkbox"/> BLK Black**	
	<input type="checkbox"/> WH White**	

*iSteam steamhead is only available in black and white

** Black and white finish are only available with iSteam steamhead