

# RBF

Classic style and warmth  
for your bathroom



- Stylish mesh screen distributes warmth evenly
- Operation is as easy as flipping a switch
- Compact design and stainless steel grill fit most bathrooms
- Rest easy—includes high-temperature safety shutoff feature
- Wall can required for new installation (sold separately)

The RBF heats up quickly, and its mesh screen distributes warm air gently and evenly. With its simple On/Off switch, the RBF is all about heat.

## ARCHITECTURAL - ENGINEERING INFORMATION

Fan forced up flow electric air heaters are UL listed, factory rated at 120V. A powder coated 20 gauge wall mounting can with one knockout is sold separately. Each complete heater is of unitized construction, and attaches to the wall can with four screws and is self-contained and completely separate from the wall mounting can. Element is of nichrome type wire wrapped on mica insulators with a 16 amp rated, at 240V, high temperature manual power reset limit switch, and a one-time over temperature thermal back-up fuse, both located on the element board in the heated air flow for faster response time to abnormal conditions. A two stage centrifugal blower delivering approximately 40 to 55 CFM is driven by an impedance protected motor. The motor is totally isolated from the heating chamber. Grill assembly is made up of stamped grill and attached expanded metal screen. Grill trim frame is made of stainless steel.

## TECHNICAL INFORMATION

UL safety standards require the heater to be placed a minimum distance of 6 inches (15.2 cm) from adjacent surfaces and 4-1/2 inches (11.4 cm) from the floor. Cadet recommends a 12-inch clearance from all surfaces for longer and cleaner performance. A 3-foot (91.44 cm) minimum clearance is required for furniture or other objects placed directly in front of the heater.

Install vertically. This heater is not approved for horizontal or ceiling installation.

Electric wall heaters and thermostats work best when installed on an inside wall. We recommend installing the heater assembly after walls are finished. Heater must be cleaned every six months minimum.

**CADET**   
INVITING WARMTH

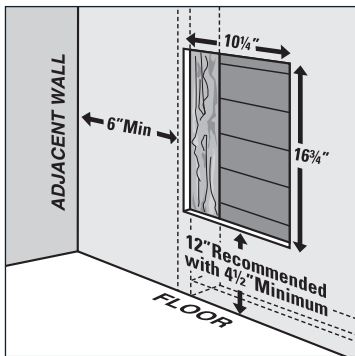
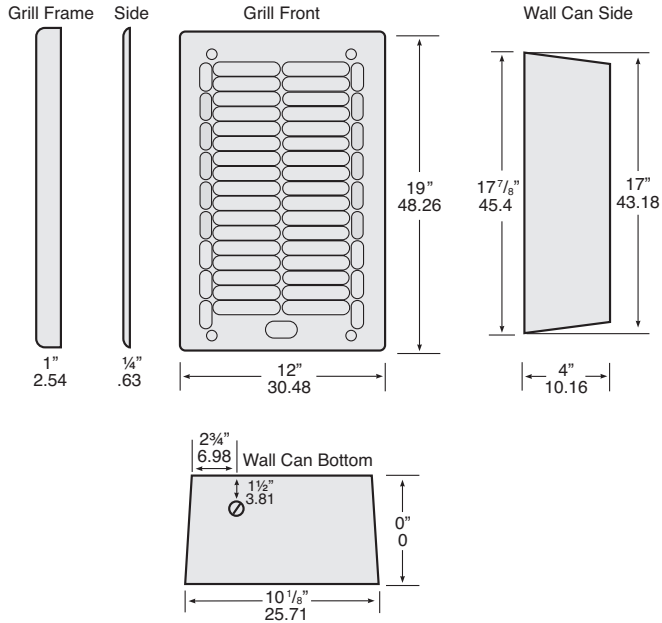
cadetheat.com  
855.CADET.US  
Vancouver, Washington



# RBF

12"W x 19"H x 1/4"D • Rough-in: 10-1/4"W x 16-3/4"H x 4"D  
Wall can required for new installation (sold separately)

PART	MODEL	DESCRIPTION	WATTS	VOLTS	AMPS	BTUS	WT/LBS
79241	RBF101	Heater assembly with on/off switch and grill	1000	120	8.3	3415	8
79243	RBFC	Wall can for model RBF, single pack					4.5



ROUGH-IN: 10-1/4"W x 16-3/4"H x 4"D